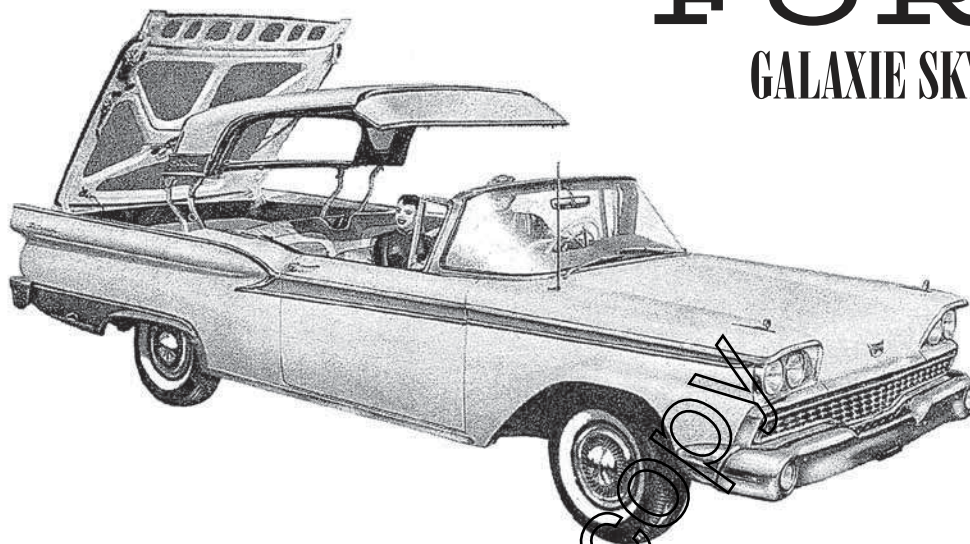




ASSEMBLY INSTRUCTIONS FOR YOUR

1959 FORD GALAXIE SKYLINER



INTERESTING FACTS ABOUT YOUR 1959 FORD FAIRLANE 500 SKYLINER

The 1959 Ford Fairlane 500 Skyliner is the only car in the world which has a mechanically retractable hardtop. Just the touch of a button changes it from a sturdy, all-steel hardtop to a flashy, sun-loving convertible.

An example of the years-ahead engineering, which has been a Ford byword since the early days of the automobile, the Fairlane 500 Skyliner was one of the cars awarded the Gold Medal for exceptional styling by the Comite Francais de l'Elegance at the Brussels World's Fair.

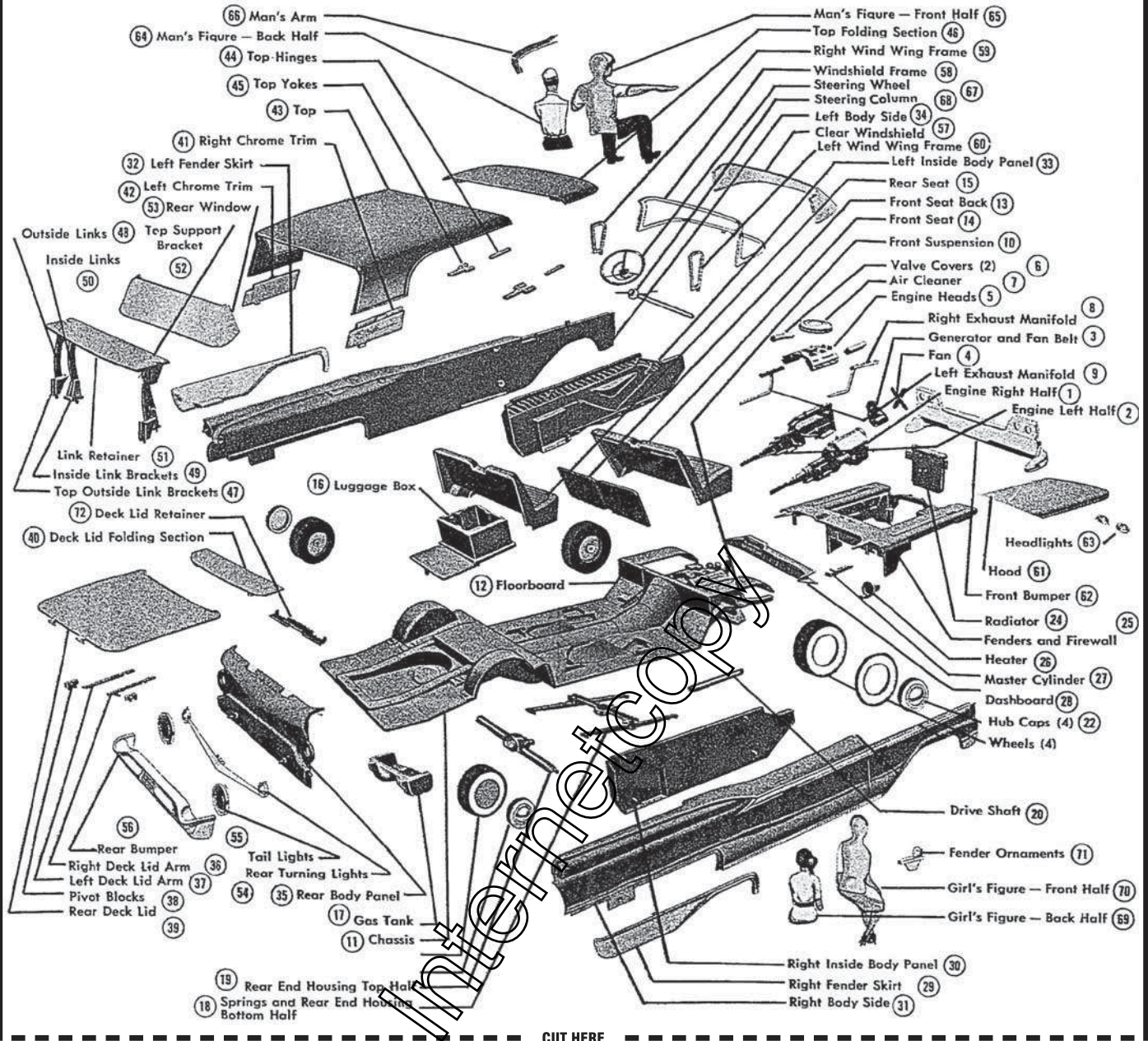
Three different V-8 engines are available, ranging from the 200 horsepower Thunderbird, to the 300 horsepower Thunderbird Special. All models are on a 118" wheelbase chassis, and have an overall length of 208". A strong, stiff box section frame with five crossmembers is used, insuring a rigid chassis.

The REVELL model of the Fairlane 500 Skyliner duplicates, with engineering accuracy, each and every detail of this fabulous car, including the retractable top.

FOR BEST RESULTS READ THIS FIRST

1. All parts are numbered for easy identification, or the numbers are engraved on the bar next to the part. Break each part from its bar only when that part is to be used.
2. For the best fit, carefully trim any excess plastic from parts before assembling.
3. Since this kit is molded of Styrene Plastic, use only REVELL TYPE S CEMENT. Do not let cement touch your eyes or clothing.
4. Apply cement sparingly. Excess cement may run and damage the details on your model.
5. With REVELL PAINT SET COLORS, paint all parts where indicated and allow them to dry before assembling.
6. Directions for applying decals are on the back of the Decal Sheet.
7. NOW CAREFULLY FOLLOW THESE NUMBERED STEPS FOR EASE IN BUILDING YOUR MODEL.

PARTS LIST FOR YOUR 1959 FORD GALAXIE SKYLINER



CUT HERE

BEFORE YOU CIRCLE THE NUMBER(S) THAT CORRESPONDS WITH THE NAME OF THE PART (ONLY IF MISSING OR BROKEN) PLEASE FILL IN THE FOLLOWING INFORMATION:

Name of the store where kit was purchased: _____
 Street Address: _____
 City: _____ State: _____
 Date of purchase: _____

(PRINT CLEARLY)

PLEASE FILL IN COUPON BELOW IN INK

FROM: **Revell INC.** 4223 GLENCOE AVE.
 VENICE CALIFORNIA

YOUR NAME (Please Print) _____

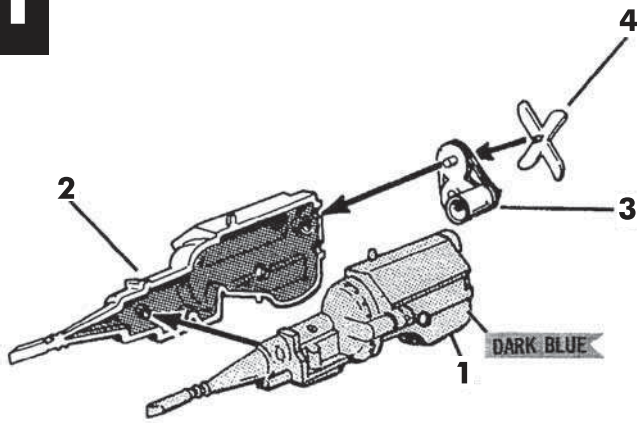
STREET ADDRESS _____

CITY _____ ZONE _____ STATE _____

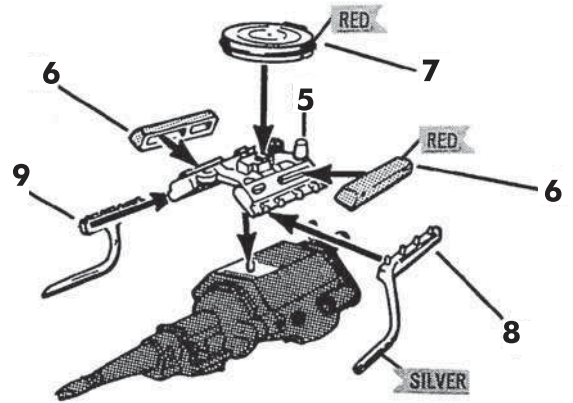
CONTENTS — MERCHANDISE. POSTMASTER: This parcel may be H-1227 opened for postal inspection if necessary. Return postage guaranteed.

SHOULD ANY PARTS BE MISSING, CIRCLE MISSING PARTS AND SEND IN PARTS LIST AND COUPON TO: DEPT. X, RETCLL, INC., 4223 GLENCOE AVENUE, VENICE, CALIFORNIA

- | | | |
|--|-----------------------------------|--------------------------------|
| 1. Engine Right Half | 25. Fenders and Firewall | 50. Inside links(2) |
| 2. Engine Left Half | 26. Heater | 51. Link Retainer |
| 3. Generator and Fan Belt | 27. Master Cylinder | 52. Top Support Bracket |
| 4. Fan | 28. Dashboard | 53. Rear Window |
| 5. Engine Heads | 29. Right Fender Skirt | 54. Rear Turning Lights |
| 6. Valve Covers (2) | 30. Right Inside Body Panel | 55. Tail lights (2) |
| 7. Air Cleaner | 31. Right Body Side | 56. Rear Bumper |
| 8. Right Exhaust Manifold | 32. Left Fender Skirt | 57. Clear Windshield |
| 9. Left Exhaust Manifold | 33. Left Inside Body Panel | 58. Windshield Frame |
| 10. Front Suspension | 34. Left Body Side | 59. Right Wind Wing Frame |
| 11. Chassis | 35. Rear Body Panel | 60. Left Wind Wing Frame |
| 12. Floorboard | 36. Right Deck Lid Arm | 61. Hood |
| 13. Front Seat Back | 37. Left Deck Lid Ann | 62. Front Bumper |
| 14. Front Seat | 38. Pivot Blocks | 63. Headlights (4) |
| 15. Rear Seat | 39. Rear Deck lid | 64. Man's Figure — Back Half |
| 16. Luggage Box | 40. Deck lid Folding Section | 65. Man's Figure — Front Half |
| 17. Gas Tank | 41. Right Chrome Trim | 66. Man's Arm |
| 18. Springs and Rear End Housing Bottom Half | 42. Left Chrome Trim | 67. Steering Wheel |
| 19. Rear End Housing Top Half | 43. Top | 68. Steering Column |
| 20. Drive Shaft | 44. Top Hinges (2) | 69. Girl's Figure — Back Half |
| 21. Inside Wheel Halves (4) | 45. Top Yokes (2) | 70. Girl's Figure — Front Half |
| 21A Outside Wheel Halves (4) | 46. Top Folding Section | 71. Fender Ornaments (2) |
| 22. Hub Cops (4) | 47. Top Outside Link Brackets 12) | 72. Deck lid Retainer |
| 24. Radiator | 48. Outside links (2) | 73. Decals |
| | 49. Inside link Brackets (2) | |

1

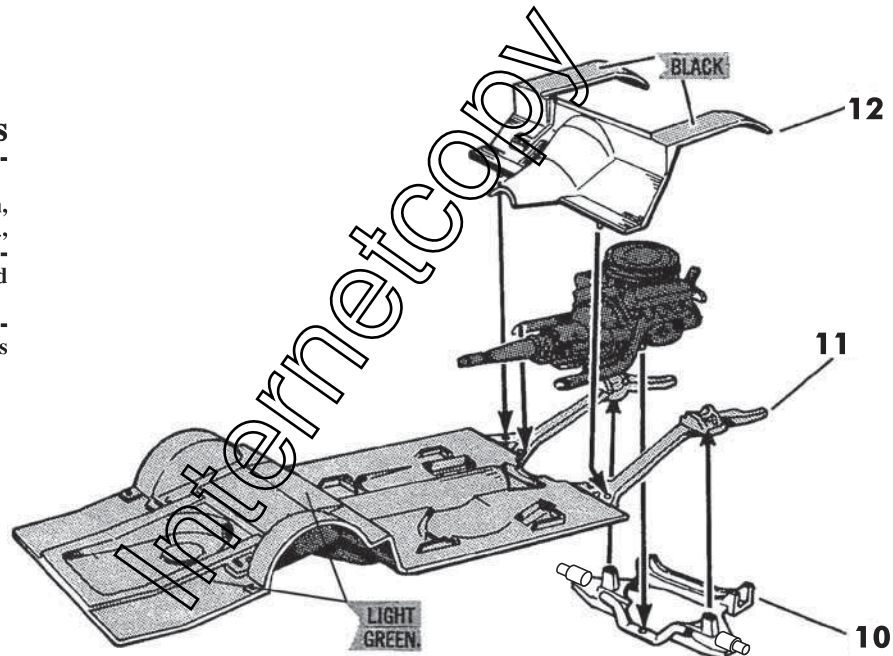
PAINT THE DETAILS, AS SHOWN, BEFORE ASSEMBLING.
A. Cement the Engine Right Half, **Part 1**, to the Engine Left Half, **Part 2**.
B. Now, cement the Generator and Fan Belt, **Part 3**, to the Engine, as shown. Finally, cement the Fan, **Part 4**, to the Generator and Fan Belt.

2

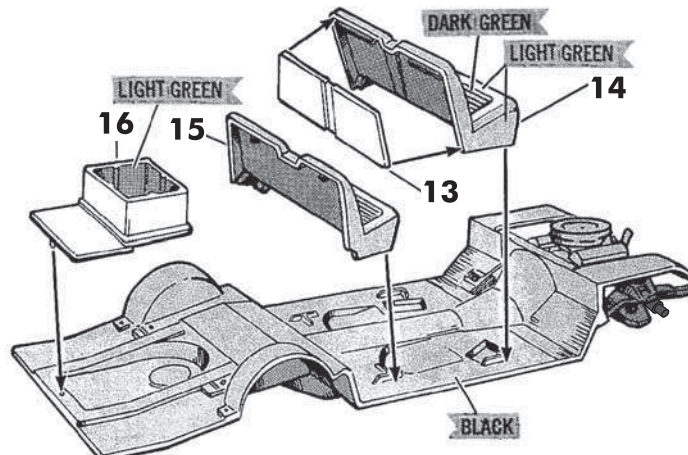
PAINT THE DETAILS, AS SHOWN, BEFORE ASSEMBLING.
A. Cement the Intake Manifold and Heads, **Part 5**, to the Engine. Now, cement the Valve Covers, **Parts 6**, to the Intake Manifold and Heads, as shown.
B. Cement the Air Cleaner, **Part 7**, to the Intake Manifold and Head, as shown. Finally, cement the Right Exhaust Manifold, **Part 8**, and the Left Exhaust Manifold, **Part 9**, to the Engine, as shown.

3

PAINT THE DETAILS, AS SHOWN, BEFORE ASSEMBLING.
A. Cement the Front Suspension, **Part 10**, to the Chassis, **Part 11**, as shown. Now, cement the Engine to the Front Suspension and Chassis, as shown.
B. Finally, cement the Floorboard, **Part 12**, to the Chassis, as shown.

**4**

PAINT THE DETAILS, AS SHOWN, BEFORE ASSEMBLING.
A. Cement the Front Seat Back, **Part 13**, to the Front Seat, **Part 14**. Now, cement the Front Seat to the Chassis, as shown.
B. Cement the Rear Seat, **Part 15**, to the Chassis. Finally, cement the Luggage Box, **Part 16**, to the Chassis, as shown.



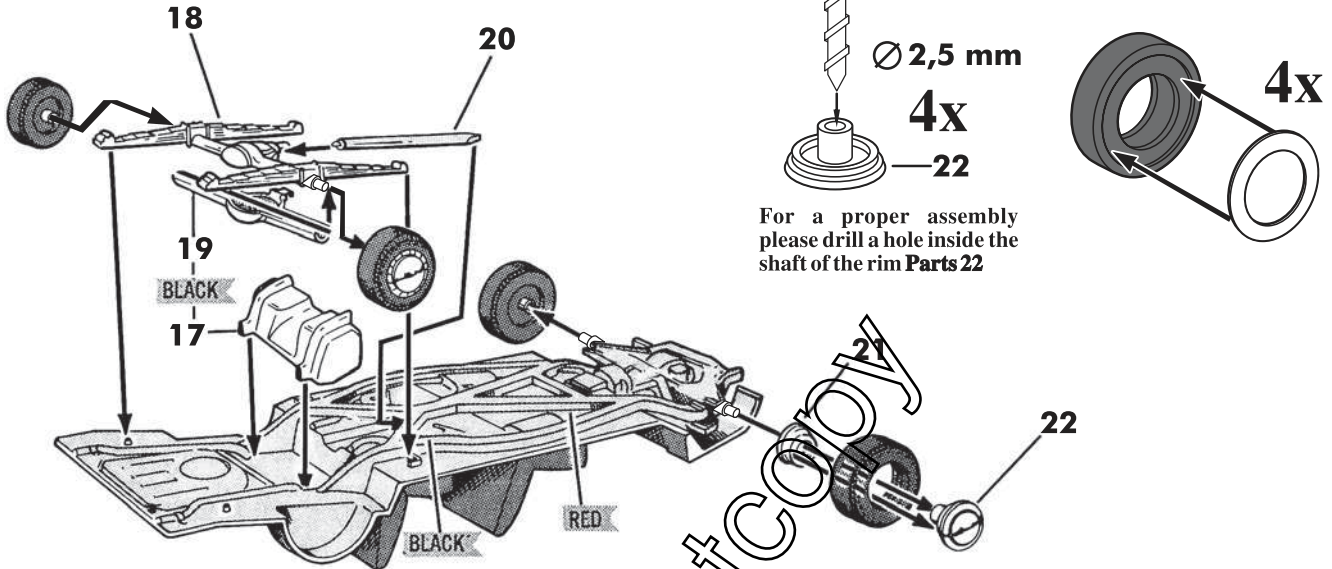
5**PAINT THE DETAILS, AS SHOWN,
BEFORE ASSEMBLING.**

A. Turn your model over and cement the Gas Tank, **Part 17**, to the Chassis. Cement the Springs and Rear End Housing Bottom Half, **Part 18**, to the Rear End Housing Top Half, **Part 19**. Now, cement the Springs to the Chassis, as shown.

B. Cement the Drive Shaft, **Part 20**, to the Rear End Housing and Chassis, as shown.

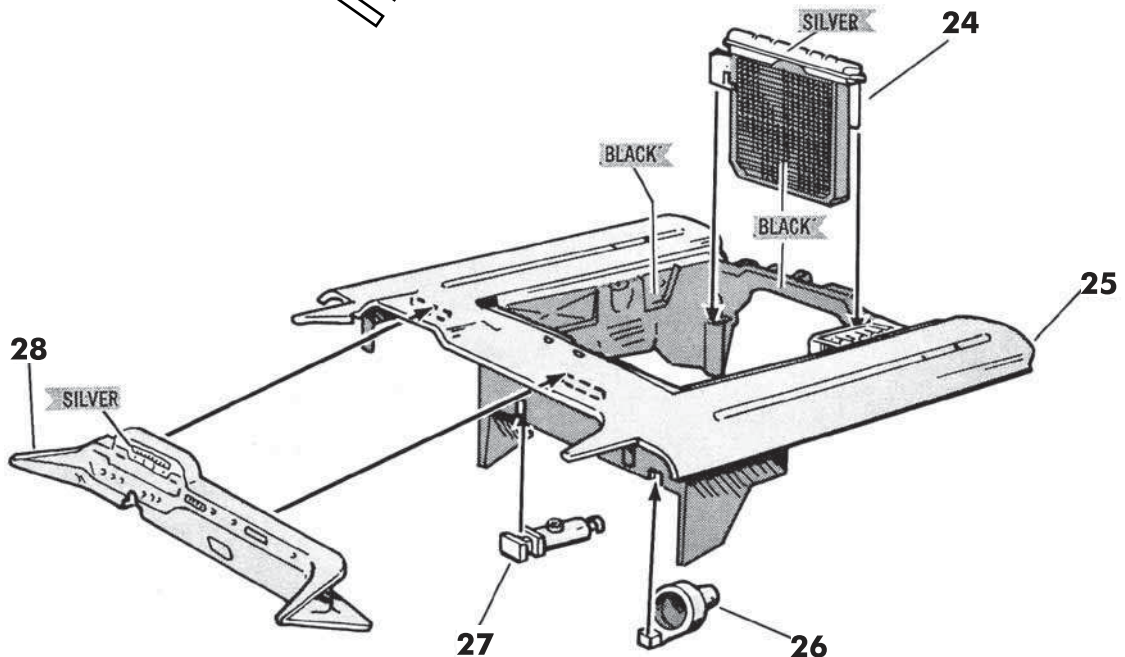
C. Insert Four Inside Hub Halves, **Parts 21**, to Four Tires. Cement Four Hub Caps, **Parts 22**, to Four Wheels **Parts 21**.

D. Cement the Axles, to Two Wheels, as shown. Now, slide one Axle through the Rear End Housing and the other through the Front Suspension, as shown. Finally, cement the two remaining Wheels to the Axles.

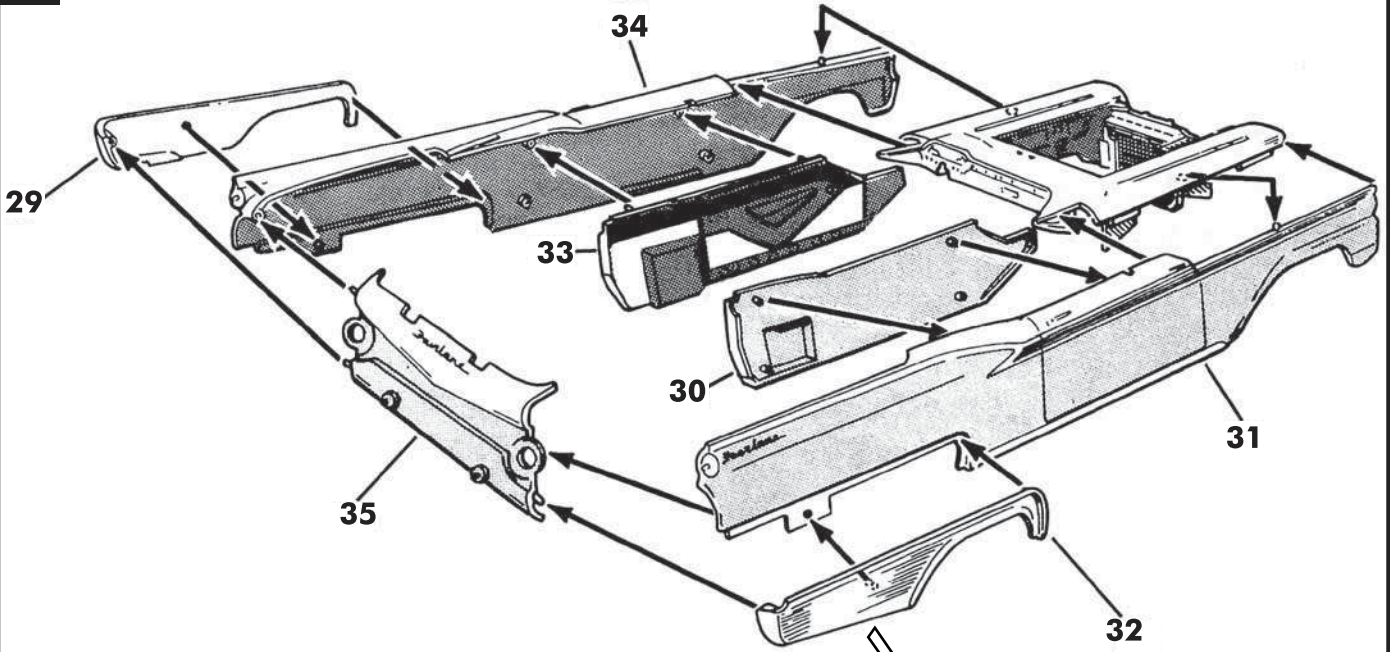
**6****PAINT THE DETAILS, AS SHOWN,
BEFORE ASSEMBLING.**

A. Cement the Radiator, **Part 24**, to the Fenders and Firewall, **Part 25**. Now, cement the Heater, **Part 26**, and the Master Cylinder, **Part 27**, to the Firewall, as shown.

B. Finally, cement the Dashboard, **Part 28**, to the Fenders and Firewall, as shown.



7

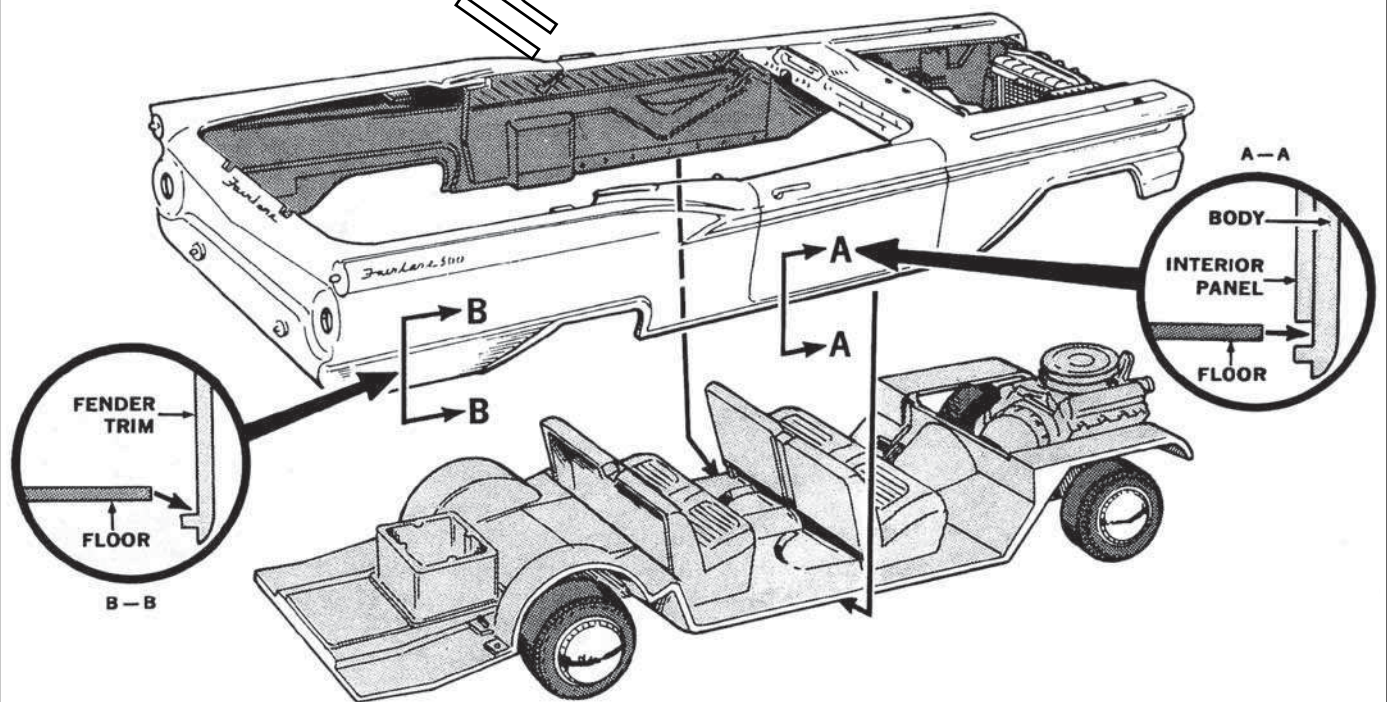


- A. Cement the Right Fender Skirt, **Part 29**, and the Right Inside Body Panel, **Part 30**, to the Right Body Side, **Part 31**, as shown.
- B. Cement the Left Fender Skirt, **Part 32**, and the Left Inside Body Panel, **Part 33**, to the Left Body Side, **Part 34**.
- C. Cement the Fender and Firewall to the Right Body Side, as shown.

Now, cement the Rear Body Panel, **Part 35**, to the Right Body Panel, as shown.
 D. Finally, cement the Left Body Side to the Fender and Firewall and Rear Body Panel, as shown. Allow the body assembly to dry completely.

8

- A. Cement the Body to the Chassis by spreading the Body Sides slightly so that the Chassis rests on the ledges on the inside bottom of the Body Side, Set aside to dry.



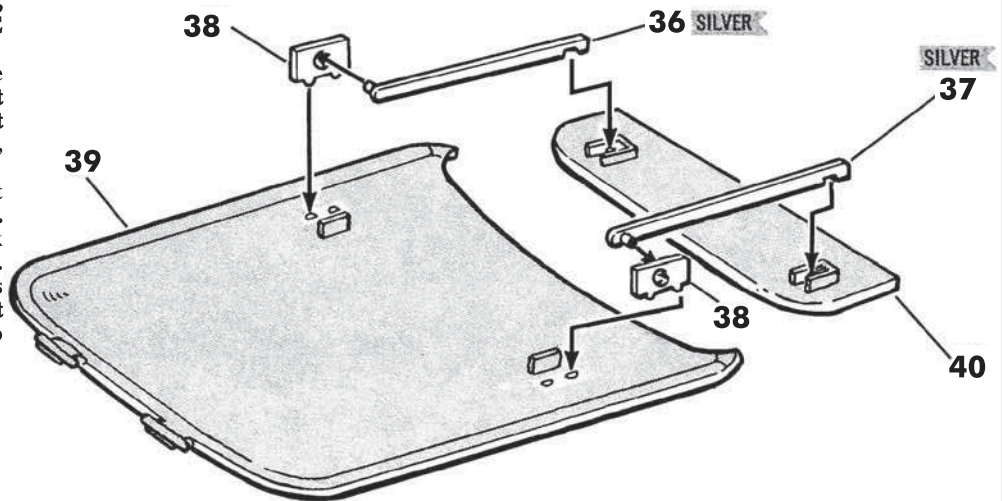
9

PAINT THE DETAILS, AS SHOWN, BEFORE ASSEMBLING.

A. Place, do not cement, the Pins on the Right Deck Lid Arm, Part 36, and the Left Deck Lid Arm, Part 37, in the holes in the Pivot Blocks, Parts 38.

B. Now, carefully cement the Pivot Blocks to the Rear Deck Lid, Part 39. Do not allow cement to touch the Deck Lid Arms, or they will not move freely.

C. Finally, cement the Deck Lid Arms to the Deck Lid Folding Section, Part 40, as shown. Set aside and allow to dry completely.

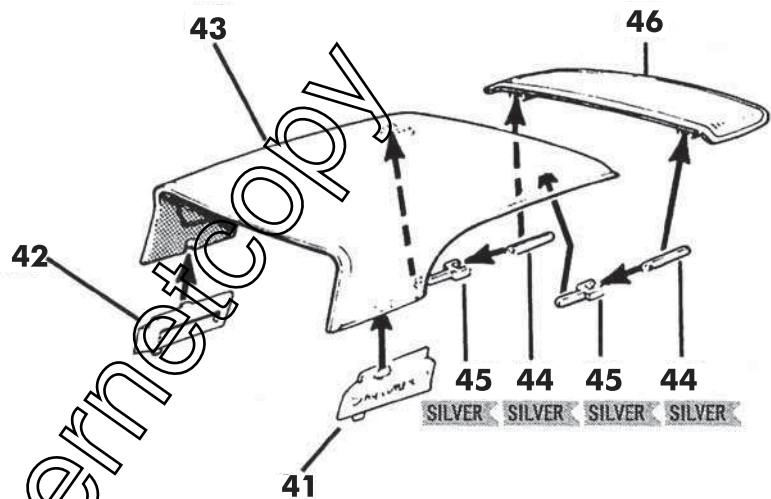


10

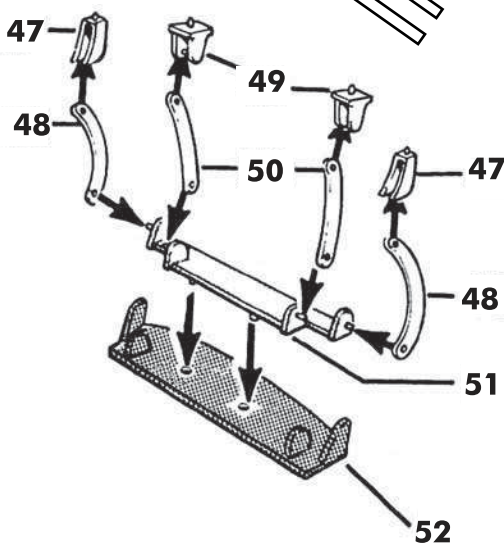
PAINT THE DETAILS, AS SHOWN, BEFORE ASSEMBLING.

A. Cement the Right Chrome trim, Part 41, and the Left Chrome Trim, Part 42, to the Top, Part 43.

B. Snap, do not cement, the Top Hinges, Parts 44, to the Top Yokes, Parts 45. Carefully cement the Hinges to the Top Folding Section, Part 46, as shown. Finally, cement the Top Yokes into the slots provided on the underside of the Top. Set aside and allow to dry completely.



11

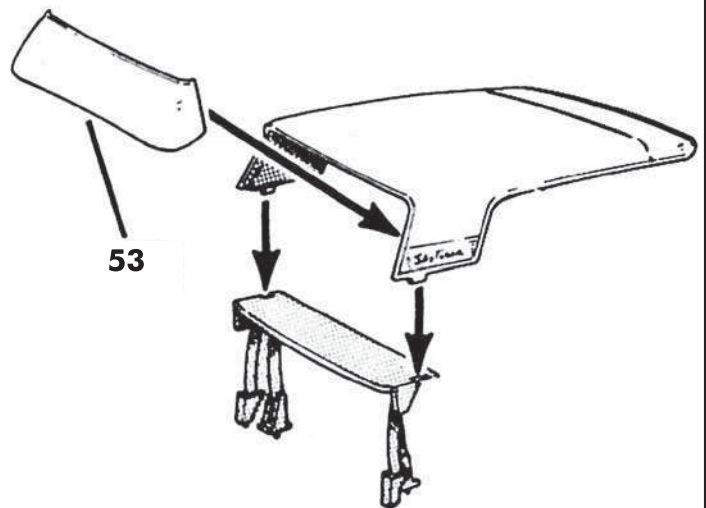


A. Snap, do not cement, the Outside Link Brackets, Parts 47, to the Outside Links, Parts 48. Snap, do not cement, the Inside Link Brackets, Parts 49, to the Inside Links, Parts 50.

B. Cement the Link Retainer, Part 51, to the Top Support Bracket, Part 52. Now, snap, do not cement, the Inside and Outside Links to the Link Retainer and Top Support Bracket, as shown.

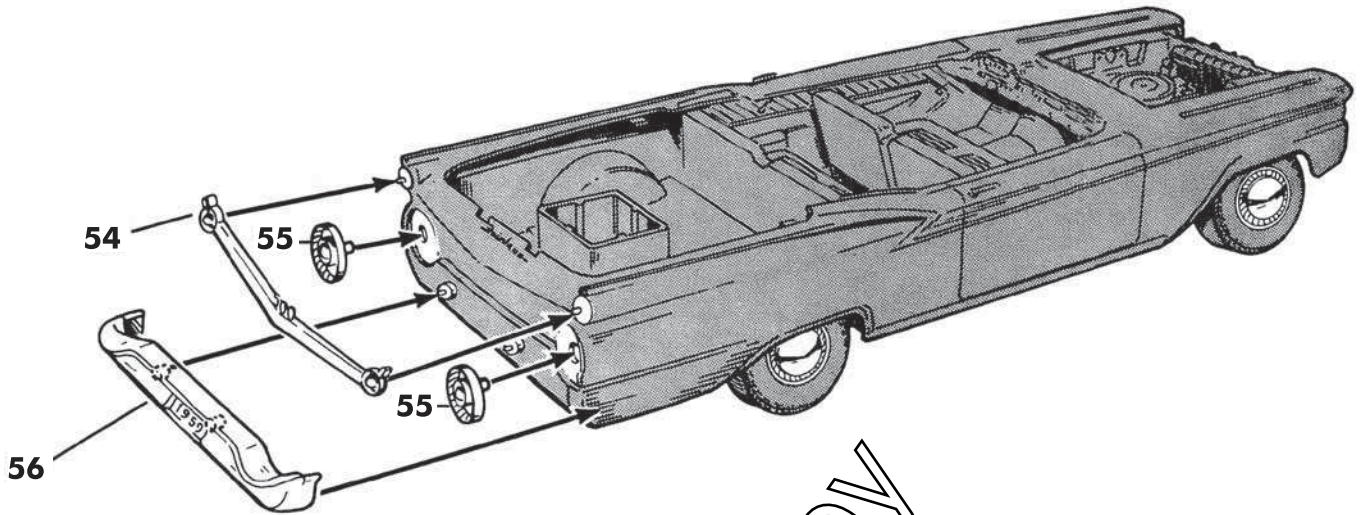
12

Cement the Top Support Bracket to the Chrome Trim, as shown. Now, cement the Rear Window, Part 53, to the Top, as shown. Set aside and allow to dry completely.

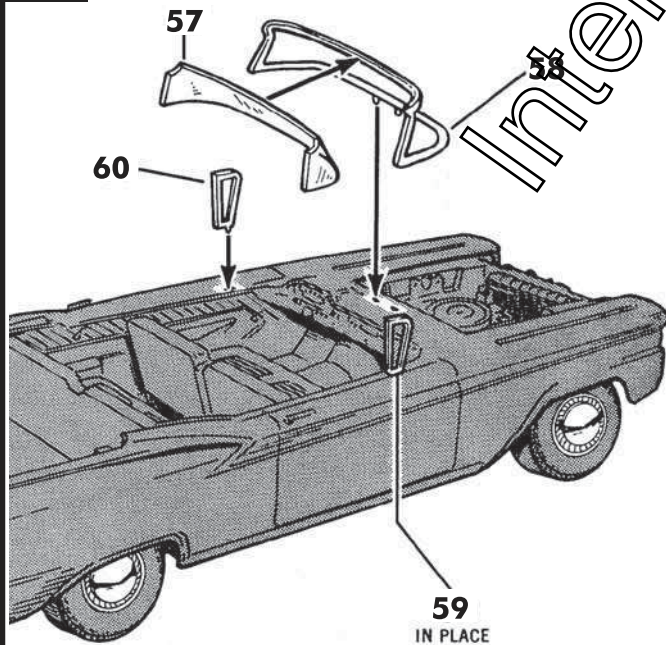


13

Cement the Rear Turning Lights, Part 54, the Tail Lights, Parts 35, and the Rear Bumper, Part 56, to the Rear Body Panel, as shown.



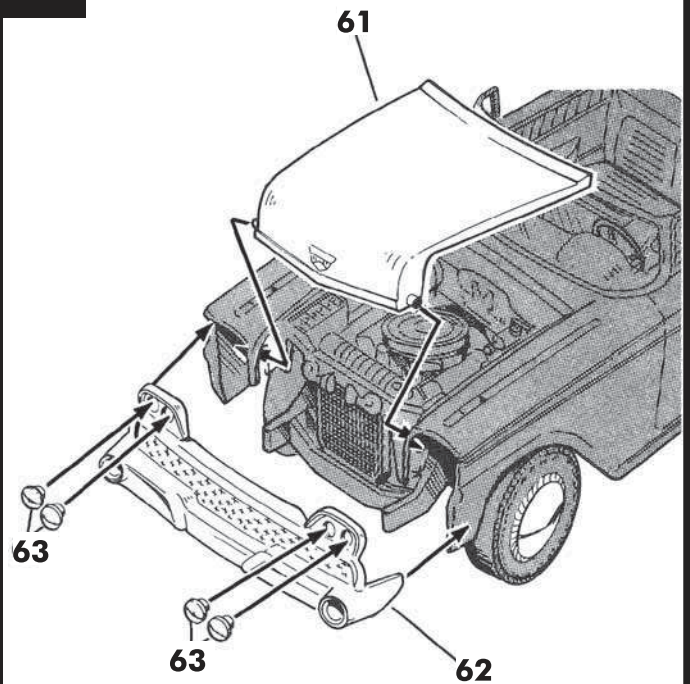
14



A. Cement the Clear Windshield, Part 57, to the Windshield Frame, Part 58. Cement the Windshield Frame to the Body, as shown.

B. Cement the Right Wind Wing Frame, Part 59, and the Left Wind Wing Frame, Part 60, to the Body, as shown.

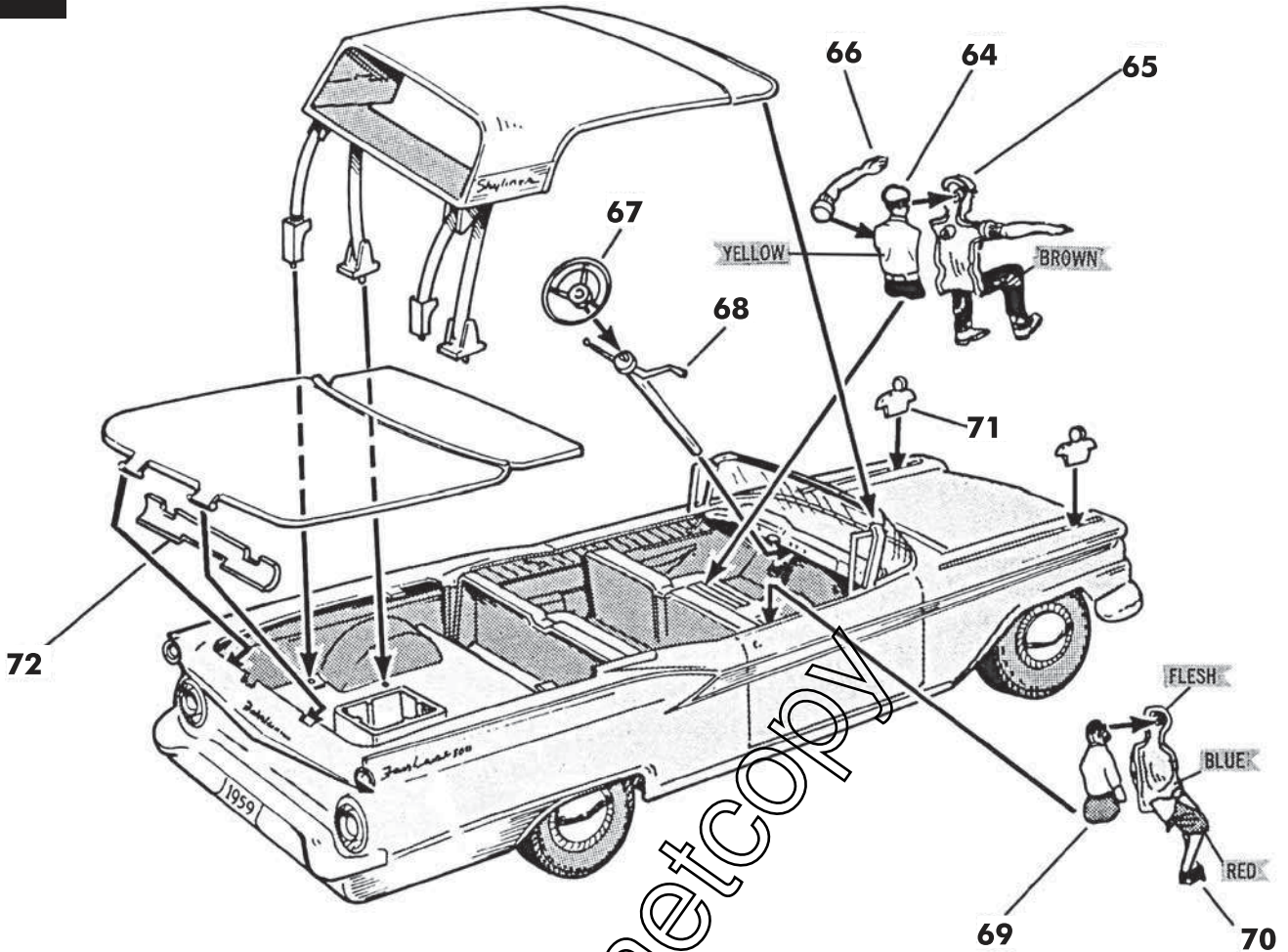
15



PAINT THE DETAILS, AS SHOWN, BEFORE ASSEMBLING.

A. Snap, do not cement, the Hood, Part 61, into place at the Front of the Body, as shown.

B. Cement the Front Bumper, Part 62, to the Body Front, as shown. Finally, cement the Headlights, Parts 63, to the Front Bumper.



PAINT THE DETAILS, AS SHOWN, BEFORE ASSEMBLING.
A. Cement the Man's Figure Back Half, **Part 64**, to the Man's Figure Front Half, **Part 65**. Cement the Man's Figure to the Driver's Seat, as shown. Now, cement the Man's Arm, **Part 66**, to the Man.
B. Cement the Steering Wheel, **Part 67**, to the Steering Column, **Part 68**. Now, cement the Steering Column to the Dashboard and Floorboard, as shown.
C. Cement the Girl's Figure Back Half, **Part 69**, to the Girl's Figure

Front Half, **Part 70**. Now, cement the Girl's Figure to the Front Seat. Cement the Fender Ornaments, **Parts 71**, to the Fenders.
D. Cement the Top Link Brackets to the Floor of the Trunk, as shown. Allow to dry completely.
E. Place, **do not cement**, the Rear Deck Lid in the slots in the Rear Body Panel, as shown. Now, carefully cement the Deck Lid Retainer, **Part 72**, to the Rear Body Panel, as shown. Allow to dry completely. The rear Deck Lid and Top may be lowered and raised, as shown.

Look! OVER 120 MODELS YOU CAN BUILD AND COLLECT!



missiles! rockets! ships! planes!
 combat models! gift sets! animals!

NEW FULL COLOR COLLECTOR'S
 CATALOG OF REVELL HOBBY KITS

24 PAGES! FULL COLOR!

- includes 46 brand new models never shown before!
- complete facts and full-color photos for over 125 Revell kits and sets!

REVELL, INC., Dept KC-8, 4223 Glencoe Avenue, Venice, California
 Please rush me by return mail the new 24-page, full-color 1958-59
 REVELL HOBBY KIT CATALOG. I am enclosing 10¢ in stamps or coin.

NAME (Please print) _____

ADDRESS _____

CITY _____ ZONE _____

STATE _____

CONTENTS: MERCHANDISE—Postmaster: This parcel may be opened for postal inspection if necessary. Return postage guaranteed.

Cut Along Line