

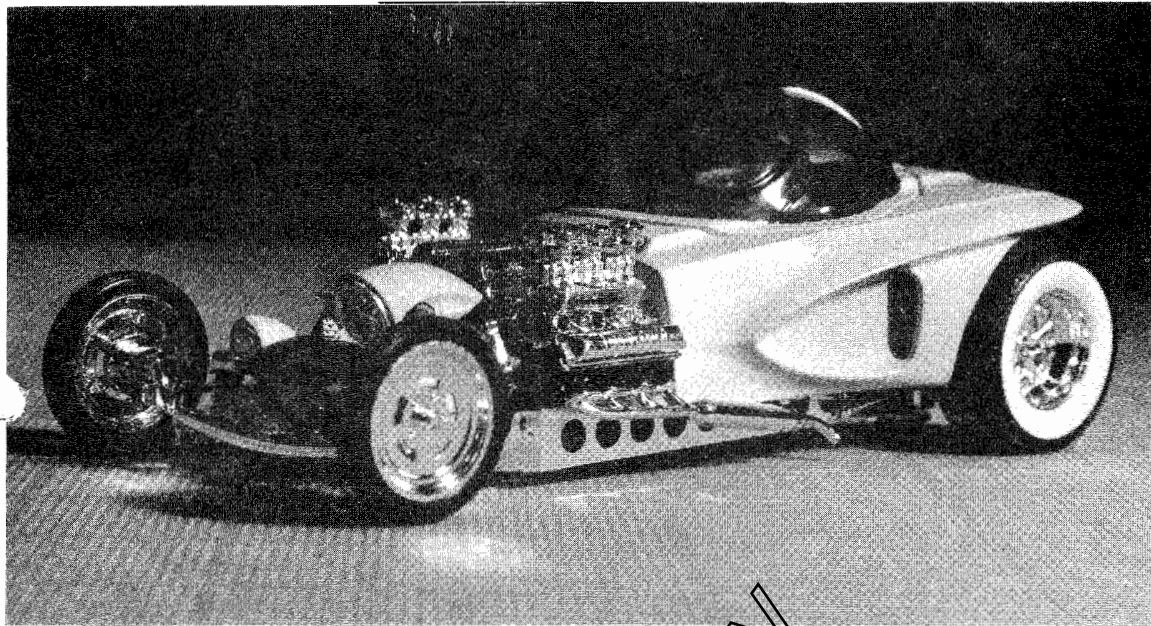


Revell®

ED ROTH'S MYSTERION

7107-3800

CUSTOM CAR DESIGNS licensed by ED ROTH 1985. All rights reserved.



The wild custom oldies, Ed "Big Daddy" Roth show cars, are back on the national show car circuit.

The Mysterion is known as the wildest of the wild Roth show car originals. The unique design employs twin 406 Ford engines sunk together through a common throttle linkage design. The total 812 cu. inches of engine, said to be capable of 1,000 h.p., was installed on

the fully chromed, hand built custom frame. The "cyclops," asymmetrical body was formed in fiberglass from custom plaster molds.

The plush single seater's interior includes a TV set and stereo, both incorporated into the remote control system which also operates the headlights and bubble top.

This dream car was a dream come true for Ed Roth.

ENGLISH: ASSEMBLY DRAWINGS SHOULD BE REVIEWED BEFORE PROCEEDING WITH CONSTRUCTION. A NUMBER IDENTIFIES EACH PLASTIC PART FOR YOUR CONVENIENCE. PAINT SMALL PARTS ON RUNNER BEFORE REMOVING. ALLOW PAINT TO DRY THOROUGHLY BEFORE CONTINUING ASSEMBLY OF KIT. SCRAPE CHROME OR PAINT AT AREA TO BE GLUED. WASH PLASTIC IN MILD DETERGENT SOLUTION. RINSE AND LET DRY FOR BETTER PAINT AND DECAL ADHESION.

FRANÇAIS: ÉTUDIEZ LES SCHÉMAS DE MONTAGE AVANT DE COMMENCER LA CONSTRUCTION. UN NUMÉRO IDENTIFIE CHAQUE PIÈCE EN PLASTIQUE POUR PLUS DE FACILITÉ. PEINTÉZ LES PETITES PIÈCES SUR LE COUREUR AVANT DE LES ENLEVER. LAISSEZ SÉCHER LA PEINTURE AVANT DE CONTINUER LE MONTAGE DU KIT. GRATTEZ LE CHROME OU LA PEINTURE DANS LES ZONES QUI DOIVENT ÊTRE COLLÉES. PUIS, LAVEZ LE PLASTIQUE DANS UNE SOLUTION FAIBLE DE DÉTERGENT, RINCEZ ET LAISSEZ SÉCHER À L'AIR POUR ASSURER UNE MEILLEURE ADHÉRENCE DE LA PEINTURE ET DES DÉCALCOMANIES.

ESPAÑOL: ESTUDIE LOS PLANOS DE MONTAJE ANTES DE INICIAR LA CONSTRUCCION. PARA FACILITAR LAS COSAS, CADA PIEZA DE PLASTICO LLEVA UN NUMERO DE IDENTIFICACION. PINTÉ LAS PIECITAS DEL CORREDOR ANTES DE QUITARLAS. PERMITA QUE LA PINTURA SE SEQUE BIEN ANTES DE PROSEGUIR EL MONTAJE DEL EQUIPO. RASPE EL CROMO O LA PINTURA DE LAS ZONAS QUE SE VAYAN A ENCOLAR. LAVE EL PLASTICO EN UNA SOLUCION LIGERA DE DETERGENTE, ENJUAGUELO Y DEJÉLO SECAR AL AIRE PARA OBTENER UNA MEJOR ADHERENCIA DE LA PINTURA Y LAS CALCOMANIAS.



GLUE
COLLE
COLA



NO GLUE REQUIRED
PAS BESOIN DE COLLE
NO SE REQUIERE COLA



DO IT THIS MANY TIMES
LE FAIRE CE NOMBRE DE FOIS
HAGA LO TODAS ESTAS VECES



OPTIONAL
OPTIONNEL
OPCIONAL



SHOWN ASSEMBLED
PRÉSENTÉ ASSEMBLÉ
SE PRESENTA MONTADO



CLEAR
TRANSPARENT
TRANSPARENTE



YELLOW
JAUNE
AMARILLO



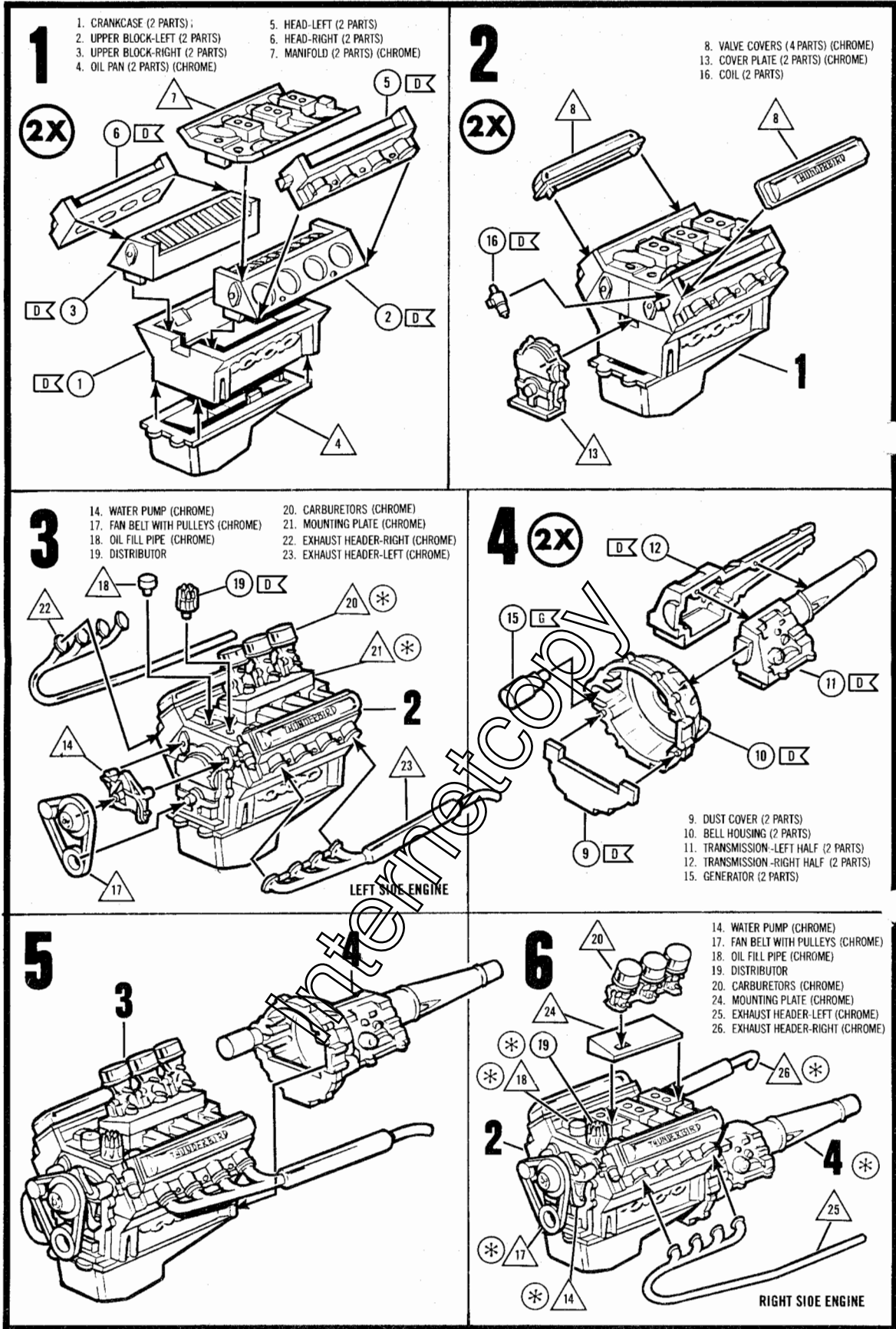
CHROME
LE CHROME
EL CROMO

A	CLEAR BLUE	BLEU CLAIR	AZUL TRANSPARENTE
B	GOLD	DORE	ORO
D	GLOSS BLACK	NOIR VERNIS	NEGRO BRILLANTE

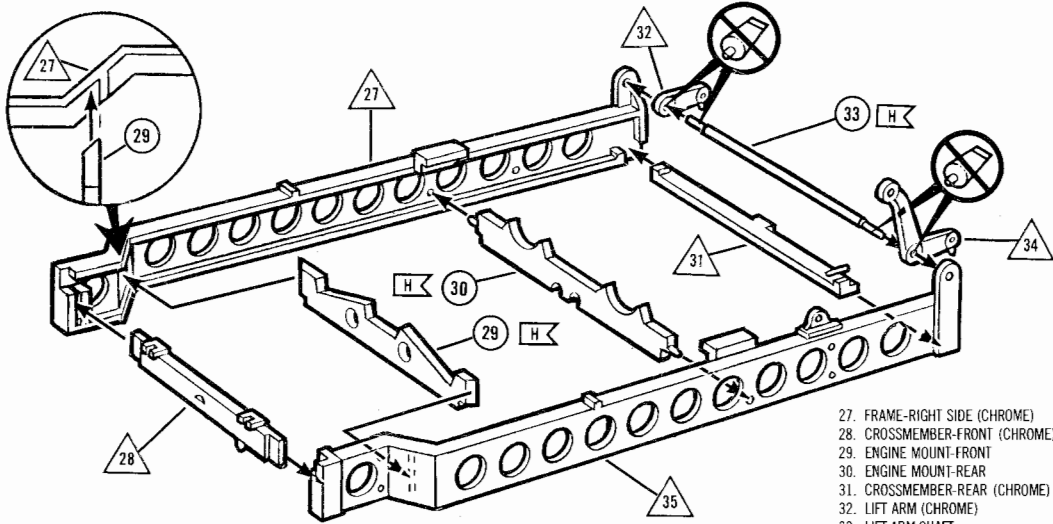
E	CLEAR RED	ROUGE CLAIR	ROJO TRANSPARENTE
F	CHROME	LE CHROME	EL CROMO
G	WHITE	BLANC	BLANCO
H	SILVER	ARGENT	PLATA

© 1985 BY CEJI REVELL, INC.

PRINTED IN U.S.A.

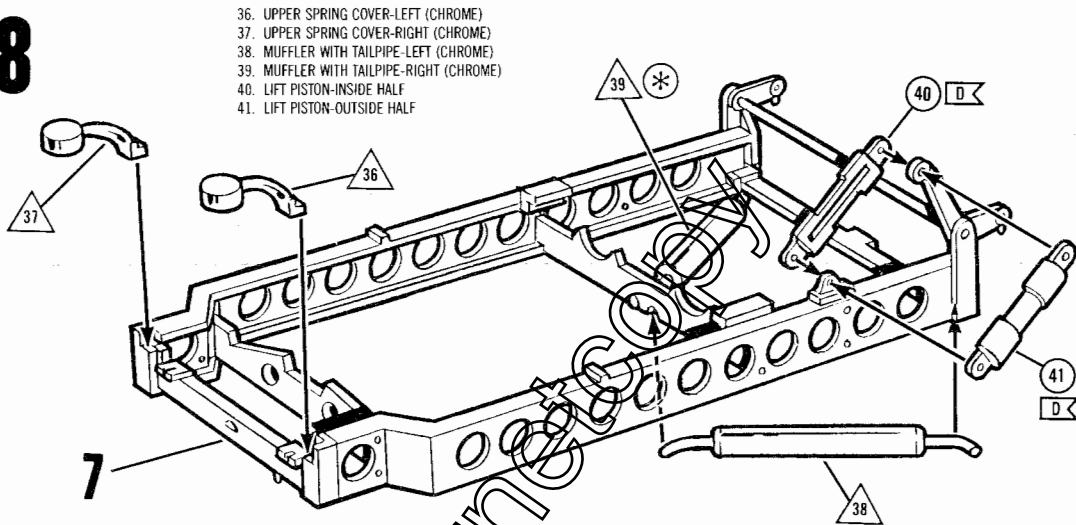


7



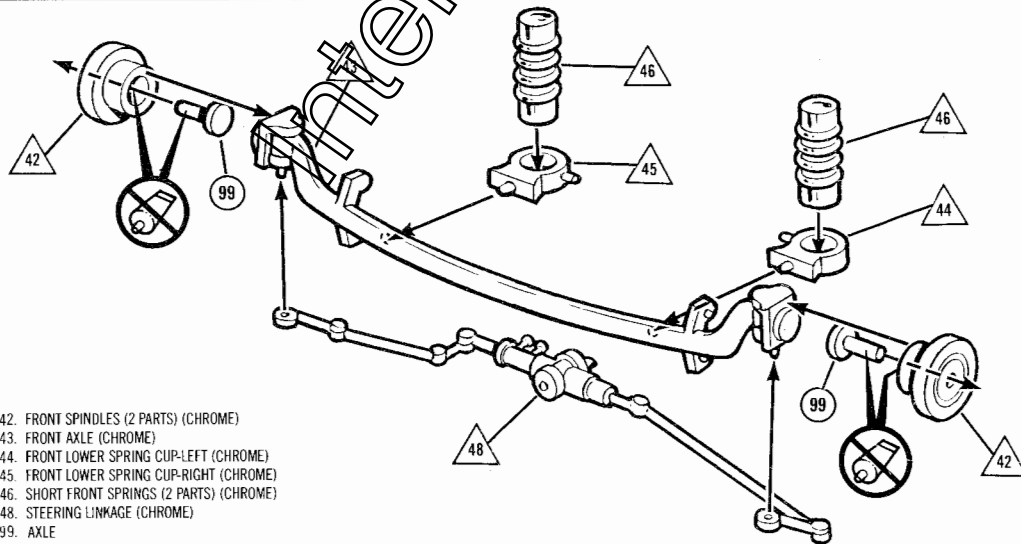
- 27. FRAME-RIGHT SIDE (CHROME)
- 28. CROSSMEMBER-FRONT (CHROME)
- 29. ENGINE MOUNT-FRONT
- 30. ENGINE MOUNT-REAR
- 31. CROSSMEMBER-REAR (CHROME)
- 32. LIFT ARM (CHROME)
- 33. LIFT ARM SHAFT
- 34. PISTON LIFT ARM (CHROME)
- 35. FRAME-LEFT SIDE (CHROME)

8

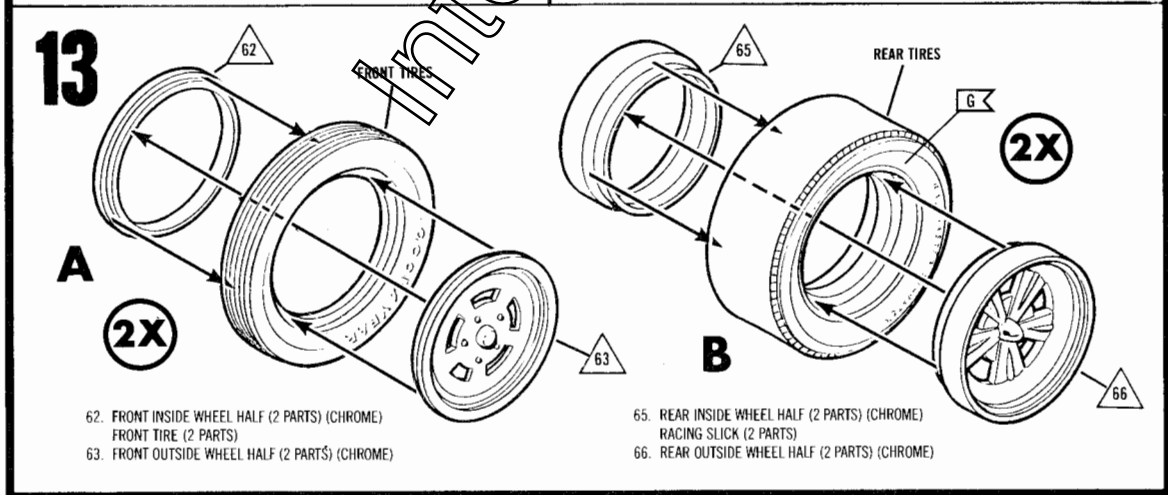
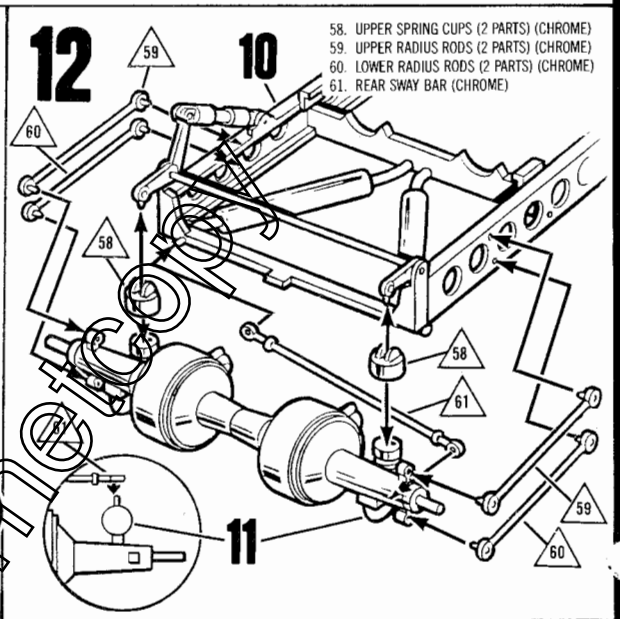
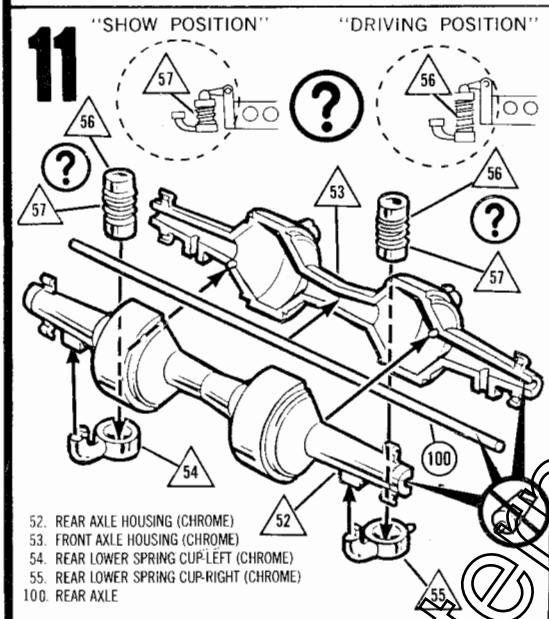
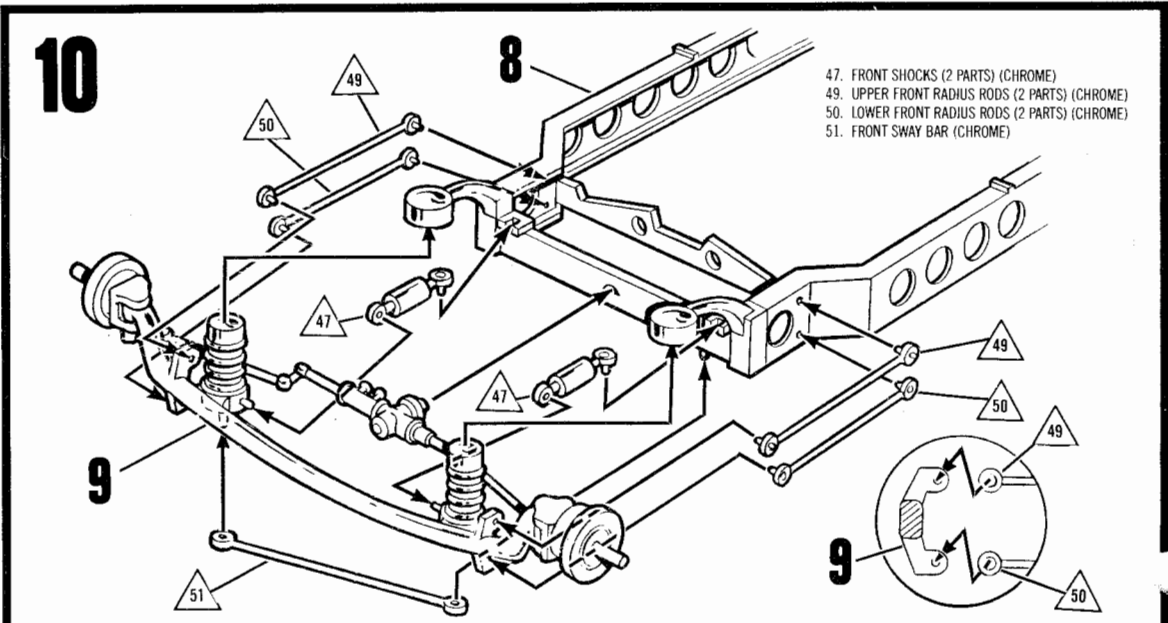


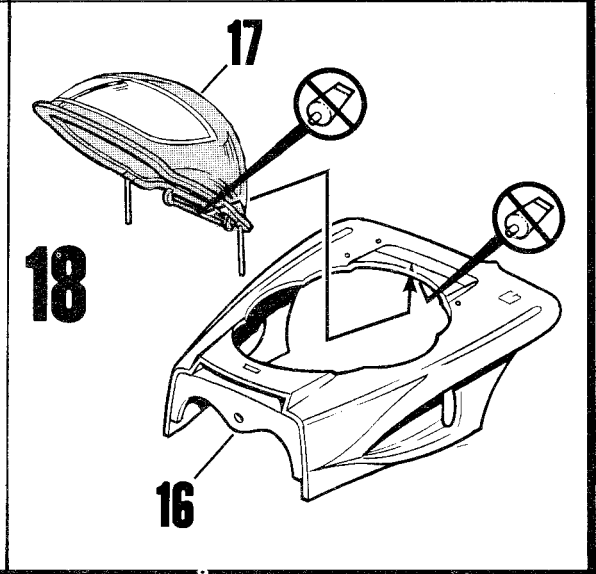
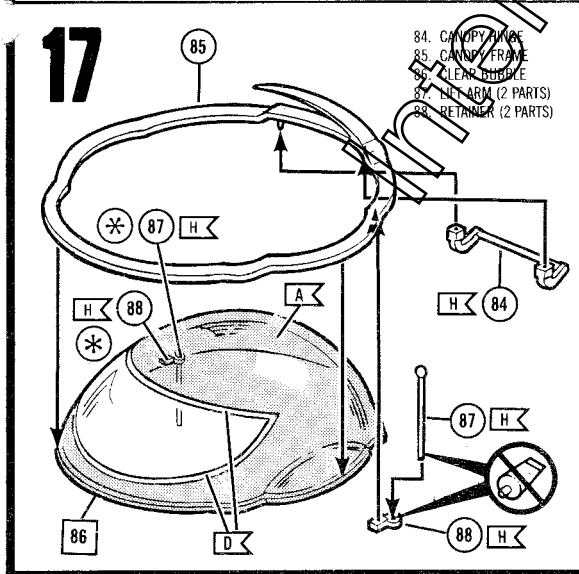
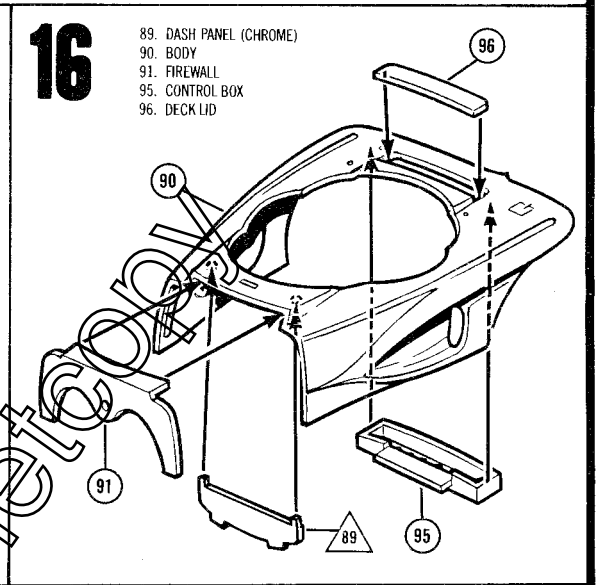
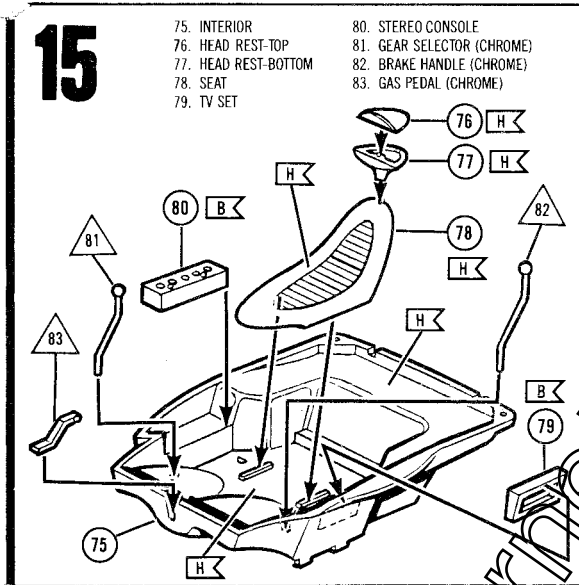
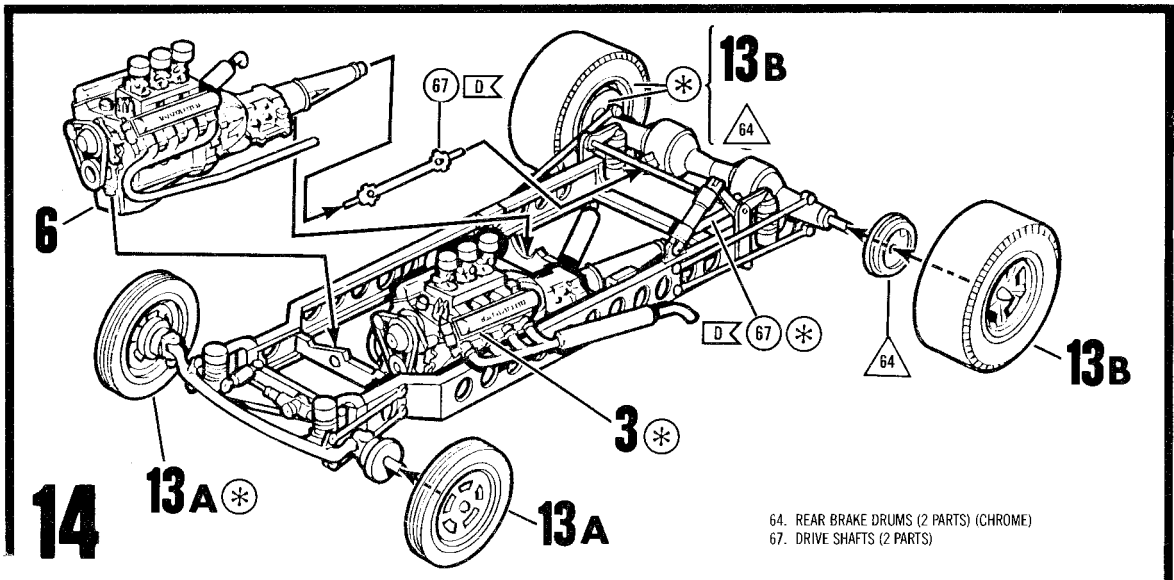
- 36. UPPER SPRING COVER-LEFT (CHROME)
- 37. UPPER SPRING COVER-RIGHT (CHROME)
- 38. MUFFLER WITH TAILPIPE-LEFT (CHROME)
- 39. MUFFLER WITH TAILPIPE-RIGHT (CHROME)
- 40. LIFT PISTON-INSIDE HALF
- 41. LIFT PISTON-OUTSIDE HALF

9



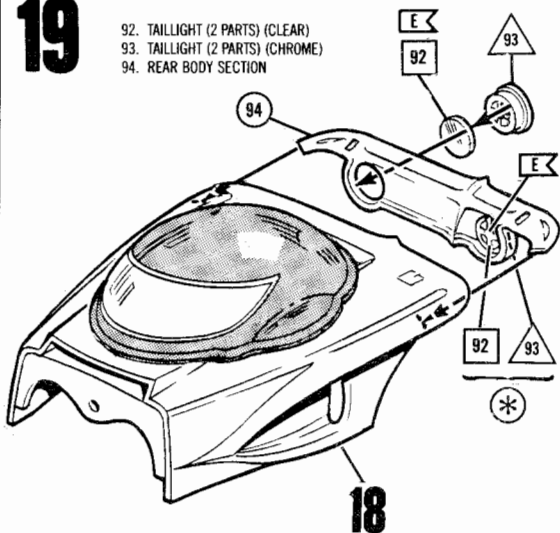
- 42. FRONT SPINDLES (2 PARTS) (CHROME)
- 43. FRONT AXLE (CHROME)
- 44. FRONT LOWER SPRING CUP-LEFT (CHROME)
- 45. FRONT LOWER SPRING CUP-RIGHT (CHROME)
- 46. SHORT FRONT SPRINGS (2 PARTS) (CHROME)
- 48. STEERING LINKAGE (CHROME)
- 99. AXLE





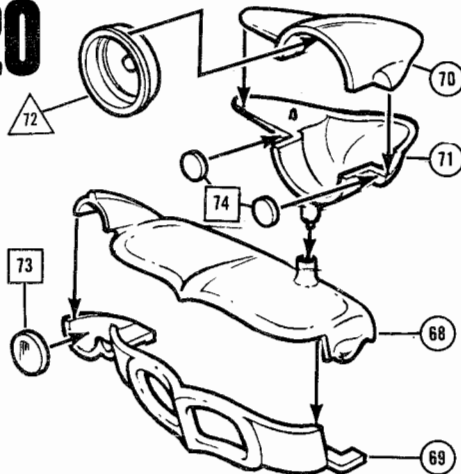
19

- 92. TAILLIGHT (2 PARTS) (CLEAR)
- 93. TAILLIGHT (2 PARTS) (CHROME)
- 94. REAR BODY SECTION

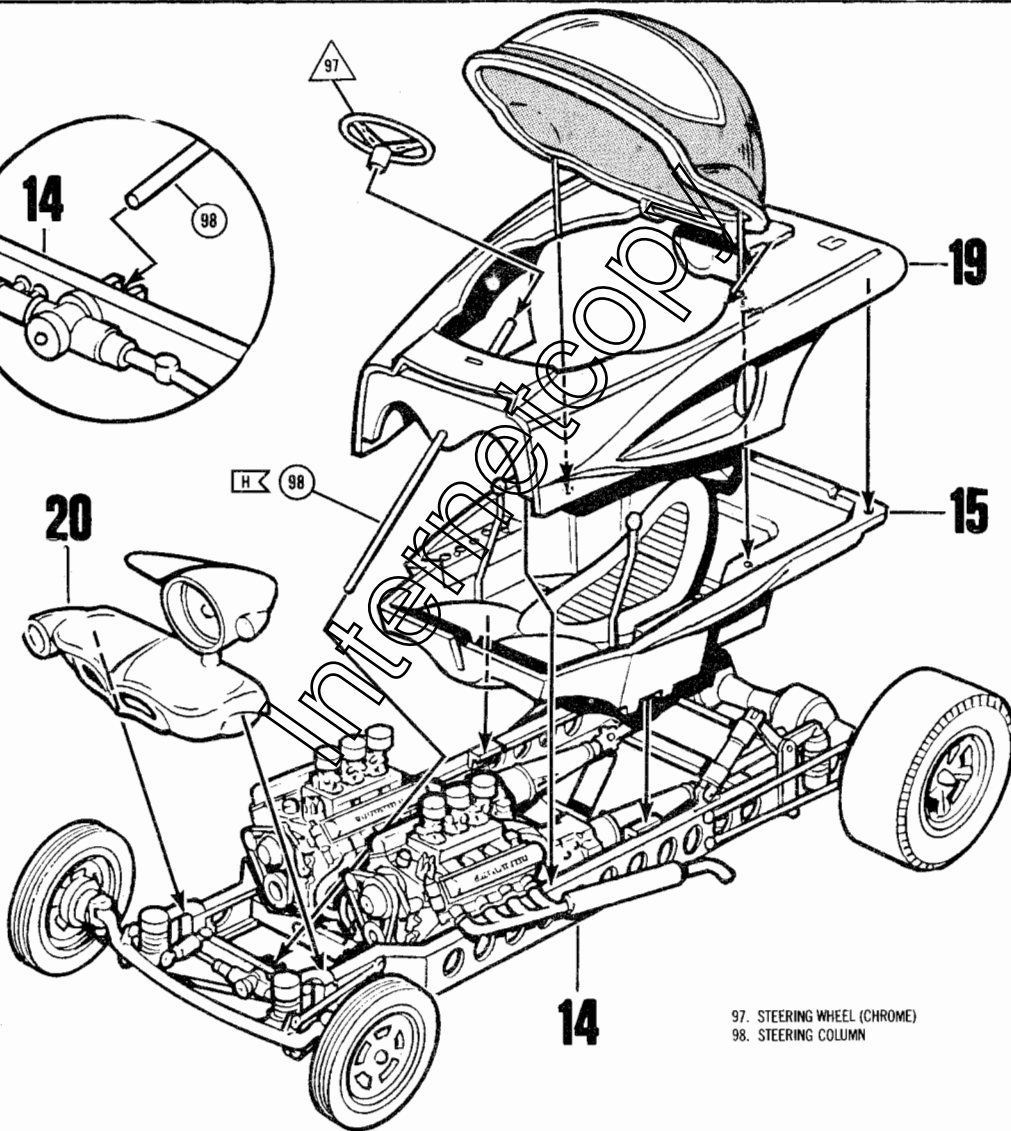
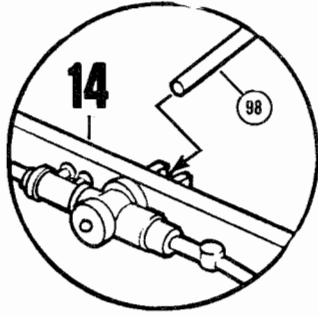


20

- 68. UPPER GRILLE SECTION
- 69. LOWER GRILLE SECTION
- 70. UPPER CYCLOPS LIGHT HOUSING
- 71. LOWER CYCLOPS LIGHT HOUSING
- 72. CYCLOPS LIGHT (CHROME)
- 73. LUCAS LIGHT (CLEAR)
- 74. TWO DIRECTION LIGHTS (2 PARTS) (CLEAR)



21



- 97. STEERING WHEEL (CHROME)
- 98. STEERING COLUMN