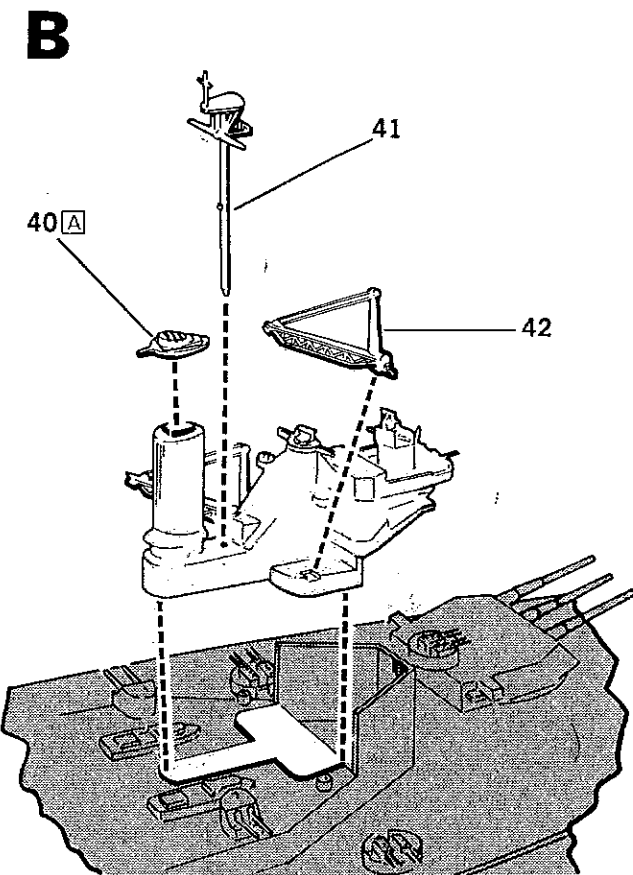
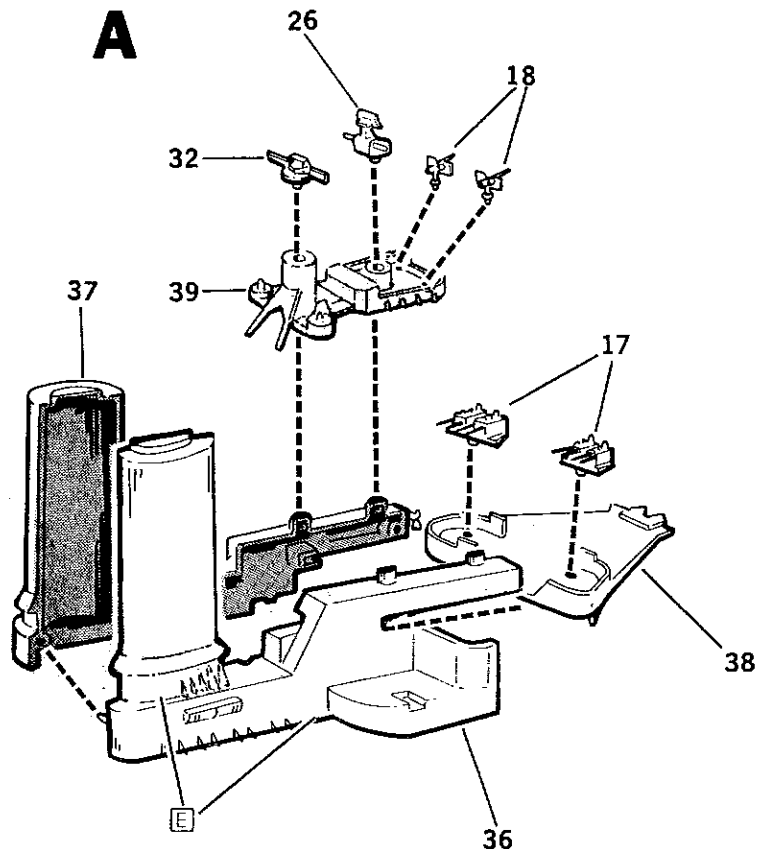


- 17 40 MM QUAD GUNS (2 Parts)
- 18 20 MM GUNS (2 Parts)
- 26 5 INCH GUN DIRECTOR
- 32 MAIN BATTERY DIRECTOR
- 36 AFT SUPERSTRUCTURE LEFT
- 37 AFT SUPERSTRUCTURE RIGHT
- 38 GUN PLATFORM
- 39 DIRECTOR PLATFORM
- 40 AFT STACK CAP
- 41 MAIN MAST
- 42 BOAT CRANE (2 Parts)



**READ THIS BEFORE YOU BEGIN**

- Study the assembly drawings.
- Each plastic part is identified by a number.
- Check the fit of each piece before cementing in place.
- Do not use too much cement to join parts.
- Use only cement for polystyrene plastic.
- Model may be painted to match photos on box.
- Allow paint to dry thoroughly before handling parts.
- Scrape paint from areas to be cemented.
- For better paint and decal adhesion, wash the plastic parts in a mild detergent solution. Rinse and let air dry.

**LISEZ CE QUI SUIT AVANT DE COMMENCER LE MONTAGE**

- Etudier les schémas d'assemblage.
- Chaque pièce plastique porte un numéro d'identification.
- Contrôler que chaque pièce soit bien conforme avant de la coller à sa place.
- N'utilisez pas trop de colle pour réunir les pièces.
- Utilisez uniquement une colle spéciale pour polystyrène.
- Le modèle peut être peint conformément aux photos sur la boîte.
- Laissez sécher la peinture complètement, avant de manipuler les pièces.
- Grattez la peinture sur les surfaces devant être collées.
- Pour assurer la meilleure adhésion possible de la peinture et des décalcomanies, laver les pièces de plastique avec une légère solution savonneuse. Rincer et laisser sécher à l'air.

**LEA ESTO ANTES DE EMPEZAR**

- Estudie los dibujos de ensamblaje.
- Cada pieza de plástico se identifica por un número.
- Verifique que cada pieza encaje bien antes de pegar en posición.
- No use demasiado pegamento para unir las piezas.
- Use únicamente pegamento para plástico de poliestirena.
- El modelo puede pintarse de acuerdo con las fotografías de la caja.
- Permíta que se seque la pintura completamente antes de tocar las piezas.
- Raspe la pintura de las superficies que serán pegadas.
- Para una mejor fijación de la pintura y de las calcomanías, lávese las piezas plásticas en una solución de detergente suave. Enjuáguese y déjense secar al aire.

**"ARE YOU AFIRE?"**

On August 24, 1942, swarms of Japanese dive and torpedo bombers began an assault on American warships in the Eastern Solomons. Their attention centered on two ships: the aircraft carrier *Enterprise* and the new battleship *North Carolina*. This was *North Carolina's* first test of firepower and her anti-aircraft barrage was so thick that *Enterprise* radioed her captain: "Are you afire?" When the smoke had settled, *North Carolina* recorded seven downed bombers, with several more probably downed. Her loss was one man.

**32-FOOT AUTOGRAPH**

But the Japanese were not to let the great ship rest after her baptism of fire. On September 15, 1942, the periscope of the Japanese submarine I-15 focused on the massive shape of the battleship. Within minutes a shattering explosion tore open the bow of *North Carolina*. The Japanese torpedo had left its autograph in the form of a 32-foot gash. *North Carolina* turned sharply, increased her speed and sealed off the flooded compartments. She was soon out of danger and headed for Pearl Harbor for repair.

**SUNK 6 TIMES**

The Japanese propaganda radio reported the sinking of *North Carolina* at least six times. However, at the conclusion of World War II, *North Carolina* was still afloat, after 40 months in the Pacific Theater. She had logged 307,000 miles and was credited with downing 24 enemy planes and one Merchantman. While *North Carolina* was seriously damaged twice in battle, she lost but 9 crewmen. And she earned 12 battle stars!

**A "SHOWBOAT" FROM THE START**

When *North Carolina* was commissioned in 1941, she was the first of the Navy's modern 35,000-ton battleships. During her trial runs, she sailed majestically in and out of the New York harbor, and drew so much attention that she was nicknamed "The Showboat."

Today the Showboat is enshrined at Wilmington, *North Carolina*, as a memorial to all who served in the U.S. Armed Forces. On April 1, 1965, the first of her thousands of visitors were treated to a spectacular re-enactment of her exciting career — with stereophonic sound and realistic smoke-belching gunfire. This 45-minute production is entitled "The Immortal Showboat."

**USS NORTH CAROLINA BB-55**

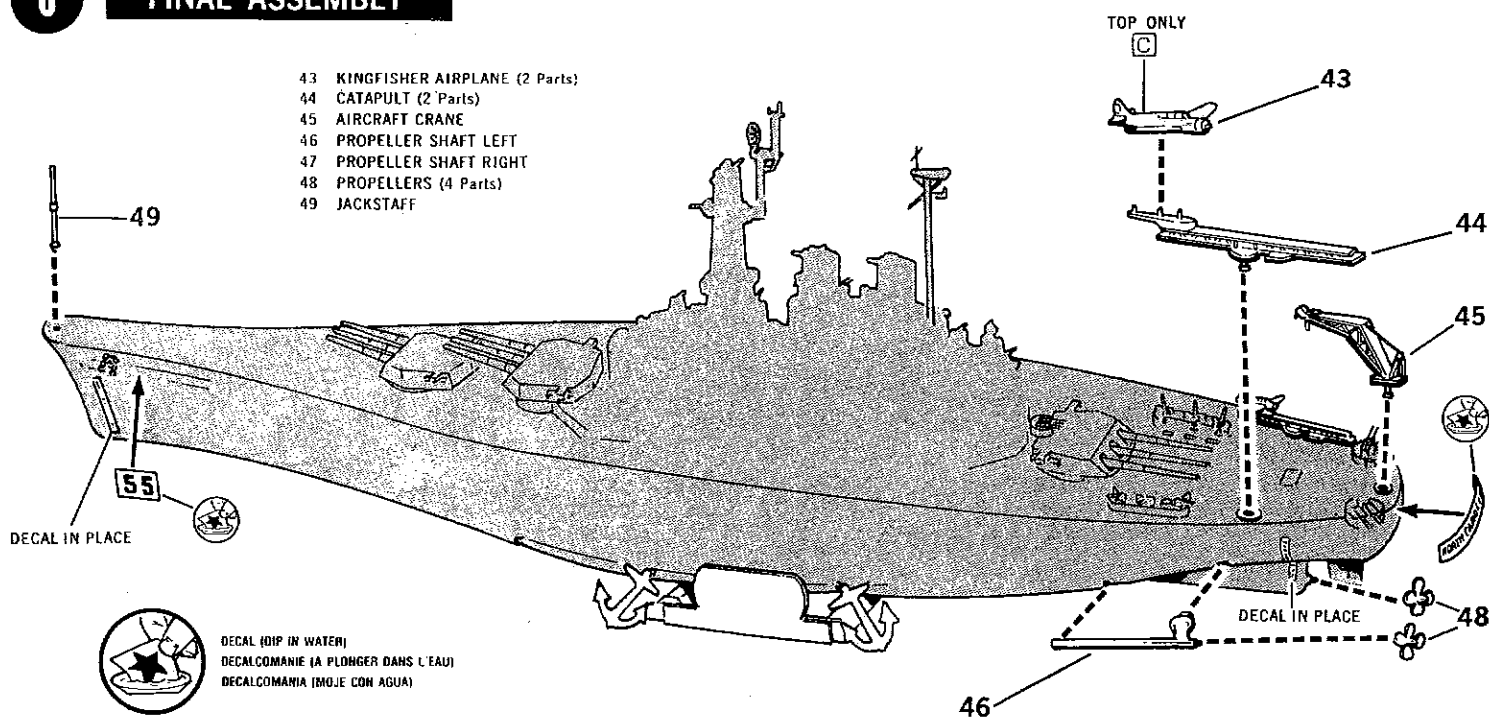
Built at New York Navy Yard, Brooklyn, N.Y.  
 Launched — June 13, 1940  
 Commissioned — April 9, 1941  
 Overall length — 729 feet  
 Beam — 108 Feet, 4 inches  
 Displacement — 35,000 tons

Main Armament — Nine 16" guns  
 Design Speed — 27 knots  
 Engines — 3 GE and 9 NYNY  
 Steam turbines of 121,000 hp  
 Personnel — 2,500

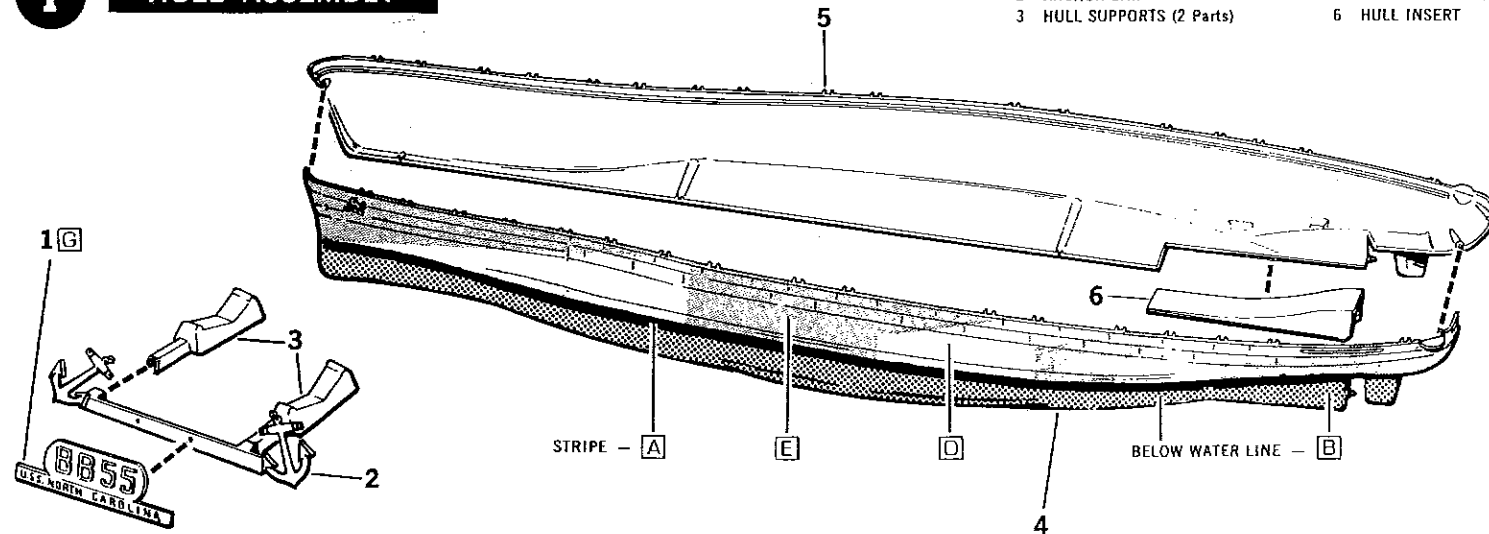
A	FLAT BLACK	NOIR TERNE	NEGRO APAGADO
B	FLAT RED	ROUGE TERNE	ROJO APAGADO
C	SEA BLUE	BLEU CLAIR	AZUL CLARO
D	LIGHT GRAY	GRIS CLAIR	GRIS CLARO
E	DARK GRAY	GRIS FONCE	GRIS OSCURO
F	TAN	BRUN CLAIR	CANELA
G	GOLD	DORE	DORADO

If you have any problems building this model, call our modeling tips hotline at: **(800) 833-3570**

- 43 KINGFISHER AIRPLANE (2 Parts)
- 44 CATAPULT (2 Parts)
- 45 AIRCRAFT CRANE
- 46 PROPELLER SHAFT LEFT
- 47 PROPELLER SHAFT RIGHT
- 48 PROPELLERS (4 Parts)
- 49 JACKSTAFF



**1 HULL ASSEMBLY**



If you have any questions or comments, call our hotline at (800) 833-3570 or, please write to:

Revell-Monogram Consumer Service Department  
 8601 Waukegan Road, Morton Grove, IL 60053

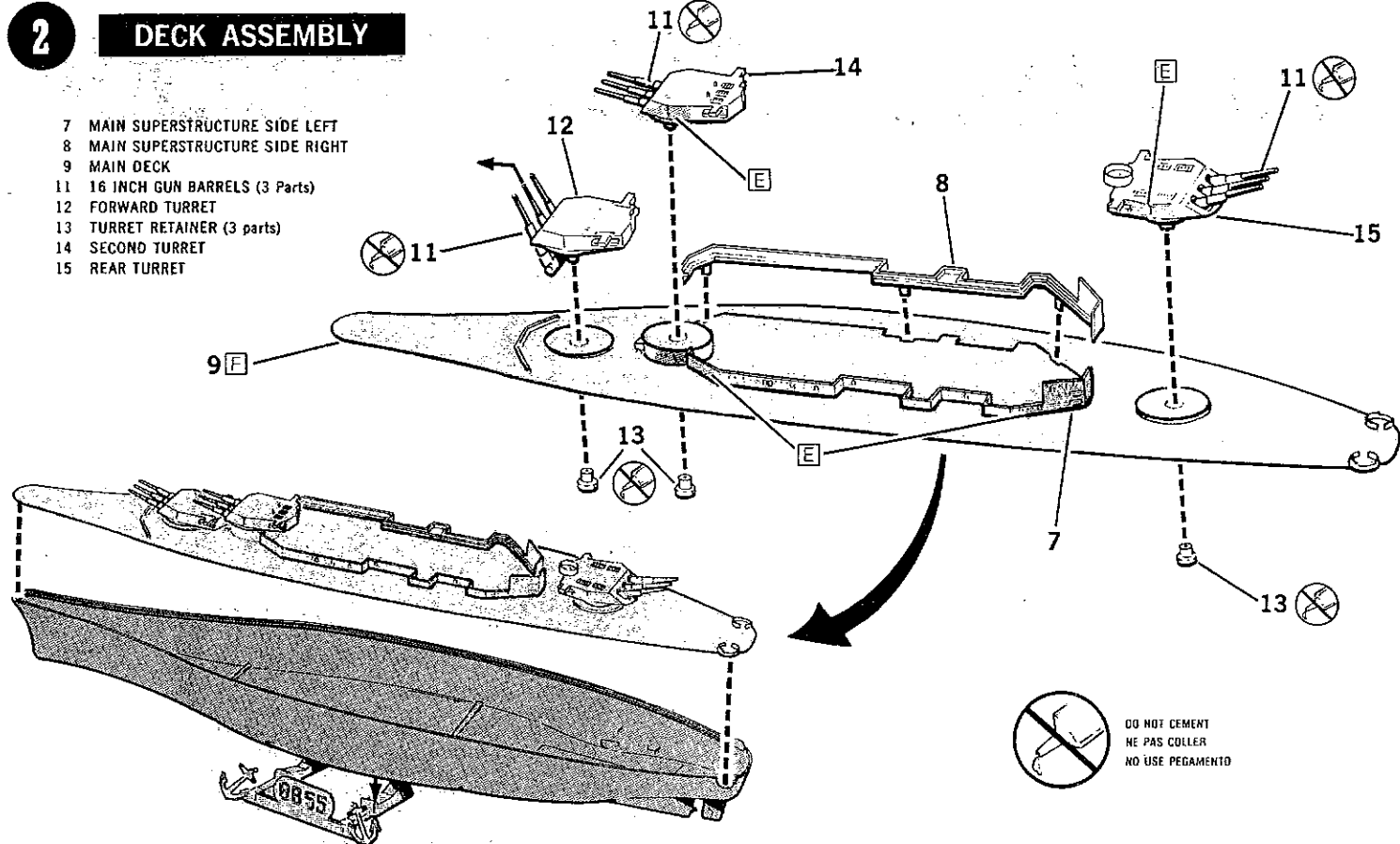
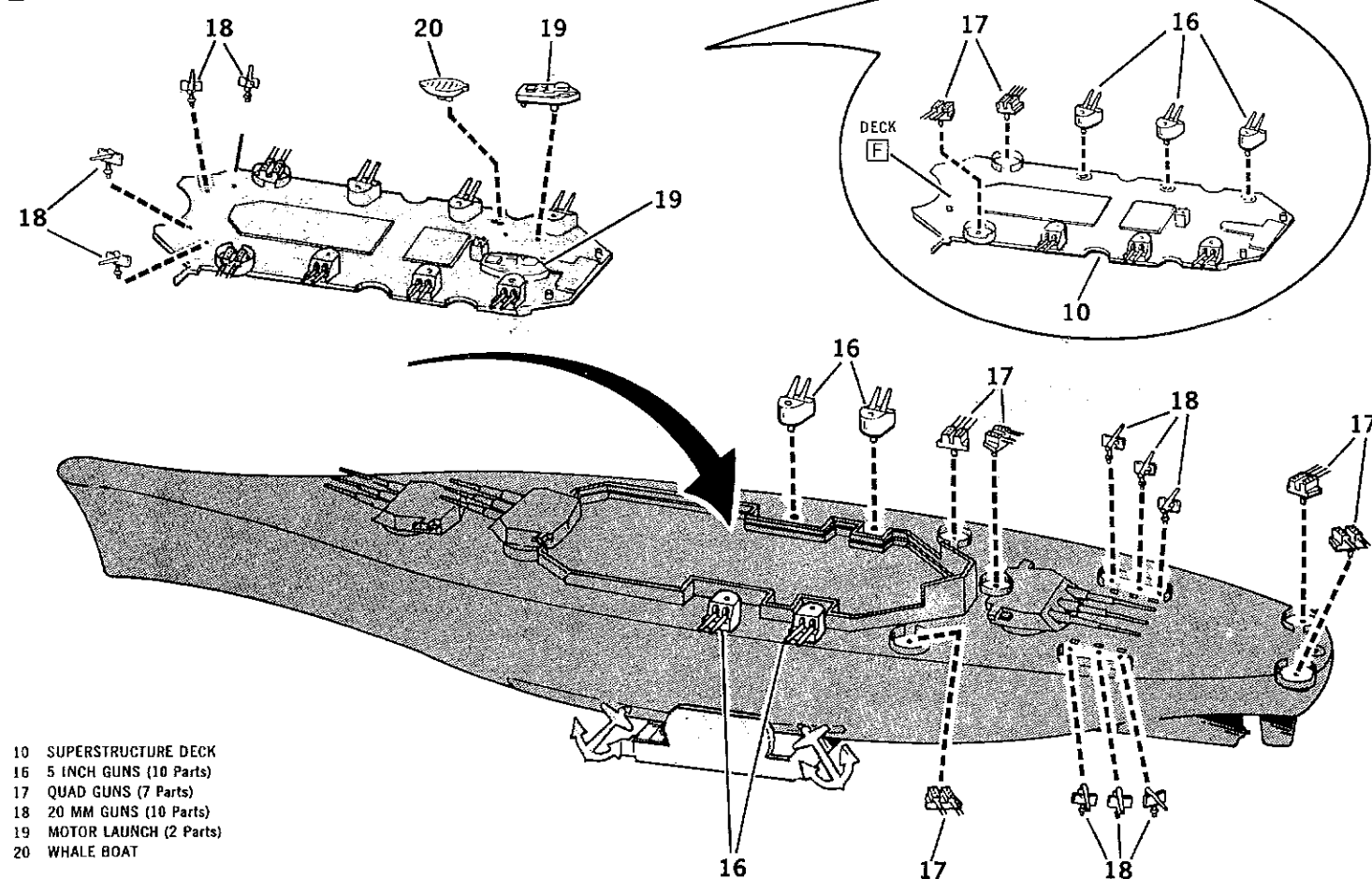
Be sure to include the plan number (85510200200), part number, your return address and telephone number.

Visit our website: [www.revell-monogram.com](http://www.revell-monogram.com)

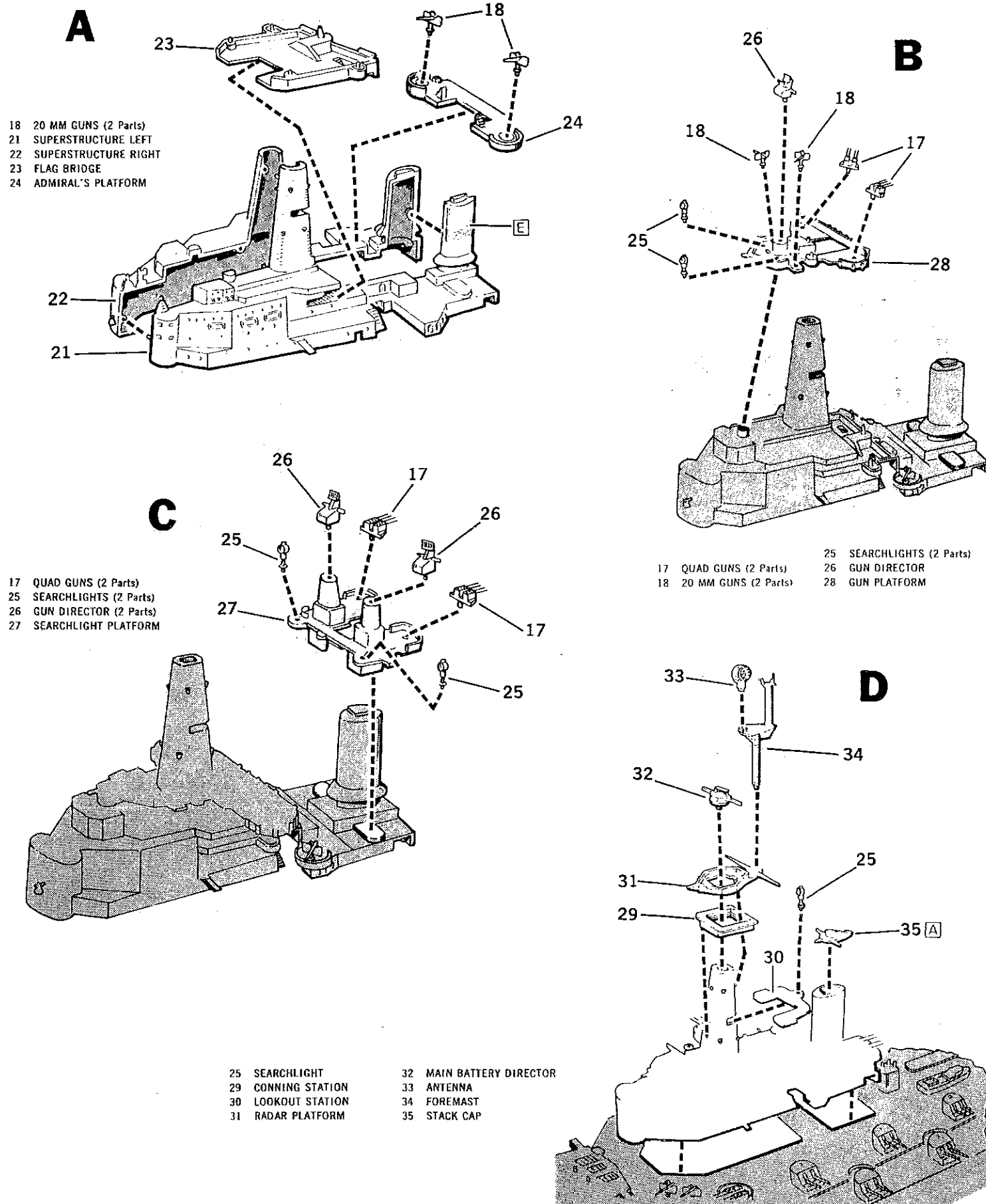
DECAL (DIP IN WATER)  
 DECALCOMANIE (A PLONGER DANS L'EAU)  
 DECALCOMANIA (MOJE CON AGUA)

**2****DECK ASSEMBLY**

- 7 MAIN SUPERSTRUCTURE SIDE LEFT
- 8 MAIN SUPERSTRUCTURE SIDE RIGHT
- 9 MAIN DECK
- 11 16 INCH GUN BARRELS (3 Parts)
- 12 FORWARD TURRET
- 13 TURRET RETAINER (3 parts)
- 14 SECOND TURRET
- 15 REAR TURRET

**3****DECK INSTALLATIONS**

- 10 SUPERSTRUCTURE DECK
- 16 5 INCH GUNS (10 Parts)
- 17 QUAD GUNS (7 Parts)
- 18 20 MM GUNS (10 Parts)
- 19 MOTOR LAUNCH (2 Parts)
- 20 WHALE BOAT

**4****FORWARD SUPERSTRUCTURE ASSEMBLY**

- 18 20 MM GUNS (2 Parts)
- 21 SUPERSTRUCTURE LEFT
- 22 SUPERSTRUCTURE RIGHT
- 23 FLAG BRIDGE
- 24 ADMIRAL'S PLATFORM

- 17 QUAD GUNS (2 Parts)
- 25 SEARCHLIGHTS (2 Parts)
- 26 GUN DIRECTOR (2 Parts)
- 27 SEARCHLIGHT PLATFORM

- 25 SEARCHLIGHT
- 29 CONNING STATION
- 30 LOOKOUT STATION
- 31 RADAR PLATFORM
- 32 MAIN BATTERY DIRECTOR
- 33 ANTENNA
- 34 FOREMAST
- 35 STACK CAP