



KIT 2827

85282700200

# 2004 Corvette® Z06™ Commemorative Edition

Over its 51 years of existence, there has certainly been a tremendous amount of changes to the beloved Corvette®. However, one basic formula has remained constant-fiberglass body, spirited engine and good handling equals big driving fun.

All Corvettes® are special, but there have been some a bit more special released along the way. You've heard of them and seen pictures of them. The high-performance Corvettes® with the alphabet soup mix of names, typically referring to the option package number, such as ZL-1, L-88, etc. These monsters offered performance above and beyond the "norm". They were very expensive and a pain to drive for everyday commuting as their high compression engines rocked and rolled at idle. If you wanted any additional creature comforts, you could forget it. The fiercest of these beasts negated any possibility of power accessories. Even the radio and heater were deleted. But they were fast, very fast indeed.

Fast forward to today. They still produce Corvettes®, but maybe something more comfortable in a car may be to your liking these days. How about a 2004 Corvette® with the Z06™ package? Smooth

idle, power everything, 19 miles per gallon in the city, 28 on the road. New shock valving for the suspension provides a ride like a much larger car. Doesn't sound too exciting, right? Wrong. Checking the Z06™ box on the order form supplies a 405 horsepower 5.7 litre V8 and a special 6 speed manual transmission that will take you from zero to 60 mph in 4 seconds flat, quicker than virtually all the fastest Vettes® of the past. Guess you can have your cake and eat it, too. Featured on the 2004 Corvette®, last of the fifth generation, is the Commemorative Edition, honoring the on-track warriors who have taken the C5 Corvette® to new heights in competition over the last few years. Special LeMans Blue paint with a specific silver and red graphic scheme on the hood tells you that this Vette® is not your run-of-the-mill example. We've included that hood stripe in this Revell-Monogram kit and while we couldn't include the new carbon fiber hood the real car comes equipped with, we've priced this Z06™ well below the \$51,000 your local Chevrolet® dealer will ask you for.



\* REPEAT SEVERAL TIMES  
\* A REPETER PLUSIEURS FOIS



\* OPTIONAL PARTS  
\* PIECES EN OPTION



\* DECAL  
\* DECAL COMANIE



\* ALTERNATIVE ASSEMBLY  
\* ENSEMBLAGE ALTERNATIVE



\* CEMENT TOGETHER  
\* A COLLER



\* REMOVE AND THROW AWAY  
\* A RETIRER ET JETER



\* DO NOT CEMENT  
\* NE PAS COLLER

### READ THIS BEFORE YOU BEGIN

- \* Study the assembly drawings.
- \* Each plastic part is identified by a number.
- \* In the assembly drawings, some parts will be marked by a star (★) to indicate chrome plated plastic.
- \* For better paint and decal adhesion, wash the plastic parts in a mild detergent solution. Rinse and let air dry.
- \* Check the fit of each piece before cementing in place.
- \* Use only cement for polystyrene plastic.
- \* Scrape plating and paint from areas to be cemented.
- \* Allow paint to dry thoroughly before handling parts.
- \* Any unused parts may be discarded.

### DECAL APPLICATION INSTRUCTIONS

1. Cut desired decal from sheet.
2. Dip decal in water for a few seconds.
3. Place wet decal on paper towel.
4. Wait until decal is movable on paper backing.
5. Place decal in position on model, face up and slide backing away.
6. Press out air bubbles with a soft damp cloth.
7. Milkiness that may appear is for better decal adhesion and will dry clear. Wipe away any excess adhesive.
8. Do not touch decal until fully dry.
9. Allow the decals 48 hours to dry before applying clear coat.

**NOTE: Decals are compatible with setting solutions or solvents.**

### LIRE CE QUI SUIT AVANT DE COMMENCER

- \* Etudier les schémas de montage.
- \* Chaque pièce en plastique est identifiée par un numéro.
- \* Sur les schémas de montage, certaines pièces sont marquées d'une étoile (★) pour indiquer qu'elles sont en plastique chromé.
- \* Pour une meilleure prise de la peinture et des autocollants, laver les pièces en plastique avec une solution détergente peu concentrée. Les rincer et les laisser sécher à l'air.
- \* Vérifier que chaque pièce s'ajuste bien avant de la coller en place.
- \* N'utiliser que de la colle pour polystyrène.
- \* Gratter les parties à coller pour enlever le chrome et la peinture.
- \* Laisser la peinture bien sécher avant de manipuler les pièces.
- \* Toute pièce inutilisée peut être jetée.

### DIRECTIVES D'APPLICATION DES AUTOCOLLANTS

1. Découper l'autocollant désiré de la feuille.
2. Tremper l'autocollant dans de l'eau pendant quelques secondes.
3. Placer l'autocollant mouillé sur une serviette en papier.
4. Attendez que l'autocollant puisse être déplacé sur son support en papier.
5. Mettre l'autocollant en position sur le modèle face sur le dessus et faire glisser le support pour l'enlever.
6. Appuyer avec un chiffon doux humide pour éliminer les bulles d'air.
7. La substance laiteuse qui peut apparaître est destinée à améliorer l'adhésion de l'autocollant et devient incolore au séchage. Essuyer pour enlever tout excédent d'adhésif.
8. Ne pas toucher l'autocollant tant qu'il n'est pas bien sec.
9. Laisser l'autocollant sécher pendant 48 heures avant d'appliquer une couche transparente.

**This paint guide is provided to complete this kit as shown on the box.**

*Ce guide de peinture est fourni pour reproduire le modèle réduit qui apparaît sur la boîte.*

Aluminium	Aluminium
Burnt Iron	Fer brûlé
Flat Black	Noir mat
Gloss Dark Blue Metallic	Bleu foncé brillant métallisé
Semigloss Black	Noir satiné
Satin White	Blanc satiné
Steel	Acier
Turn Signal Amber	Cignotant ambre
Satin Red	Rouge satiné

If you have any questions or comments, call our hotline at: **(800) 833-3570**  
or, please write to:

**Revell-Monogram Consumer Service Department, 725 Landwehr Road, Northbrook, Illinois 60062**

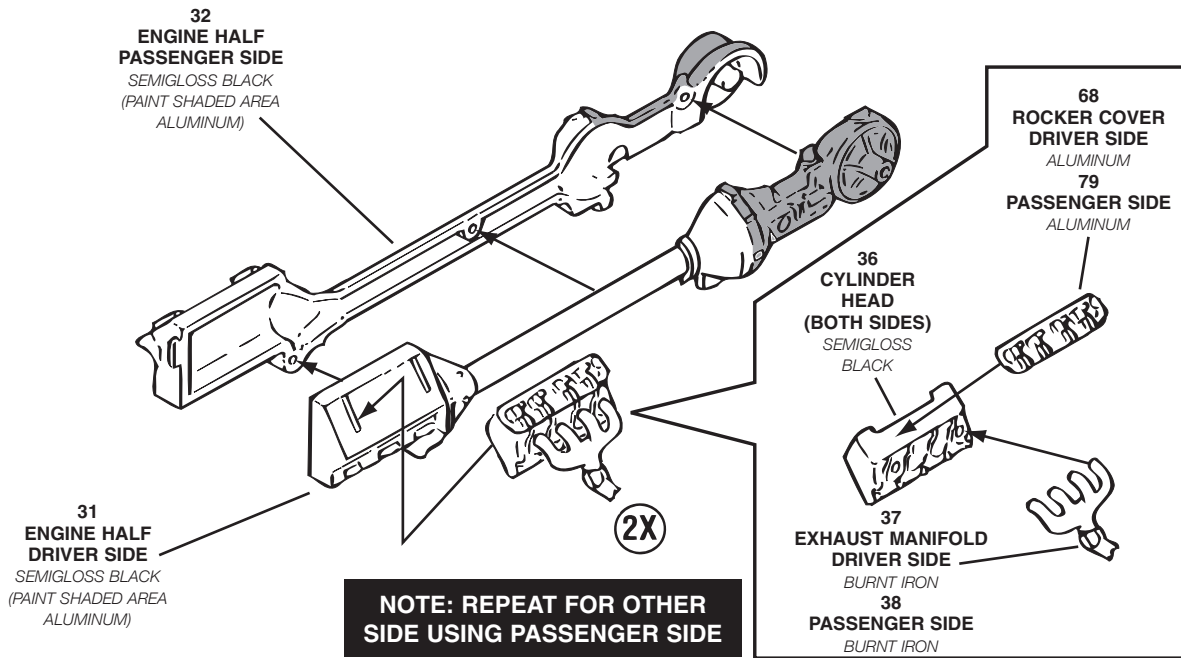
Be sure to include the plan number (85282700200), part number, description, your return address and phone number.

Visit our website: [www.revell-monogram.com](http://www.revell-monogram.com)

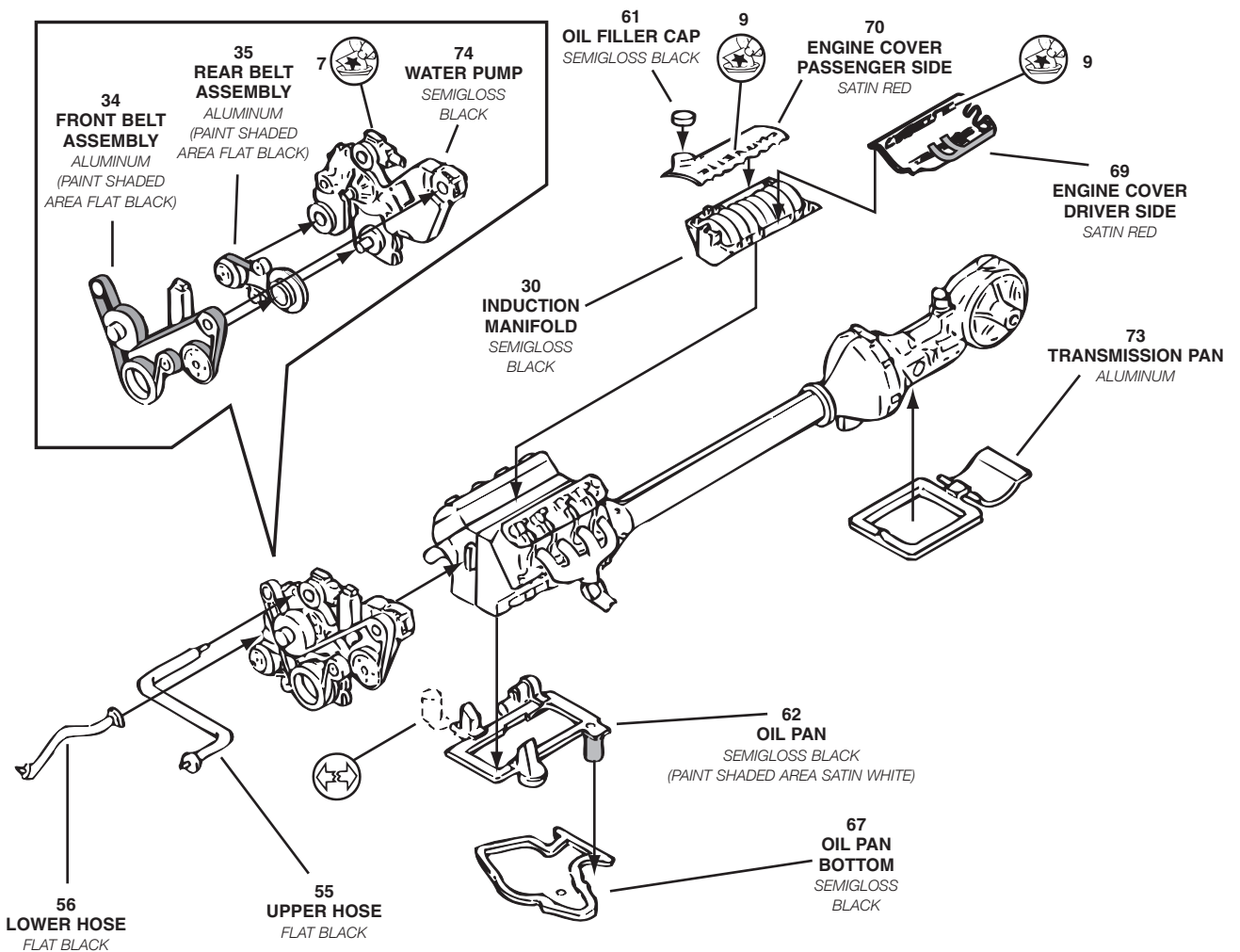
# 1

# ENGINE ASSEMBLY

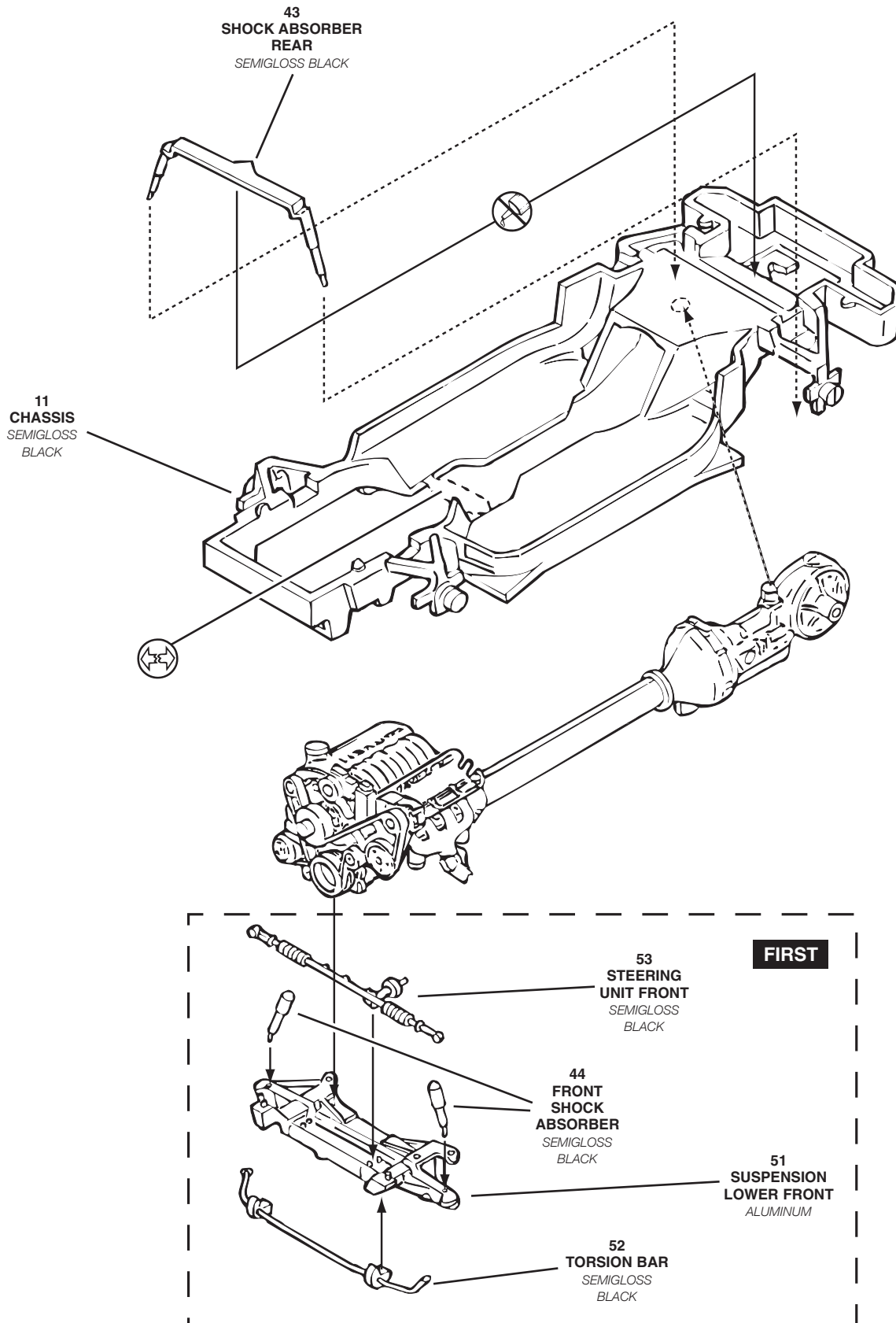
**A**



**B**



# SUSPENSION ASSEMBLY



# INTERIOR ASSEMBLY

14 DOOR PANEL PASSENGER SIDE  
SEMIGLOSS BLACK

13 DOOR PANEL DRIVER SIDE  
SEMIGLOSS BLACK

2X  
87 HANDLE  
SEMIGLOSS BLACK  
(REPEAT FOR OTHER SIDE)



19 SEAT FRONT  
SEMIGLOSS BLACK

2X  
20 SEAT BACK  
SEMIGLOSS BLACK  
(REPEAT FOR OTHER SIDE)

94 REFLECTOR  
SATIN RED  
(REPEAT FOR OTHER SIDE)

12 DECK LATCH REAR  
SEMIGLOSS BLACK

29 BRAKE BOOSTER  
SEMIGLOSS BLACK

24 FIREWALL  
SEMIGLOSS BLACK

22 BRAKE LEVER  
SEMIGLOSS BLACK

23 GEAR SHIFTER  
SEMIGLOSS BLACK

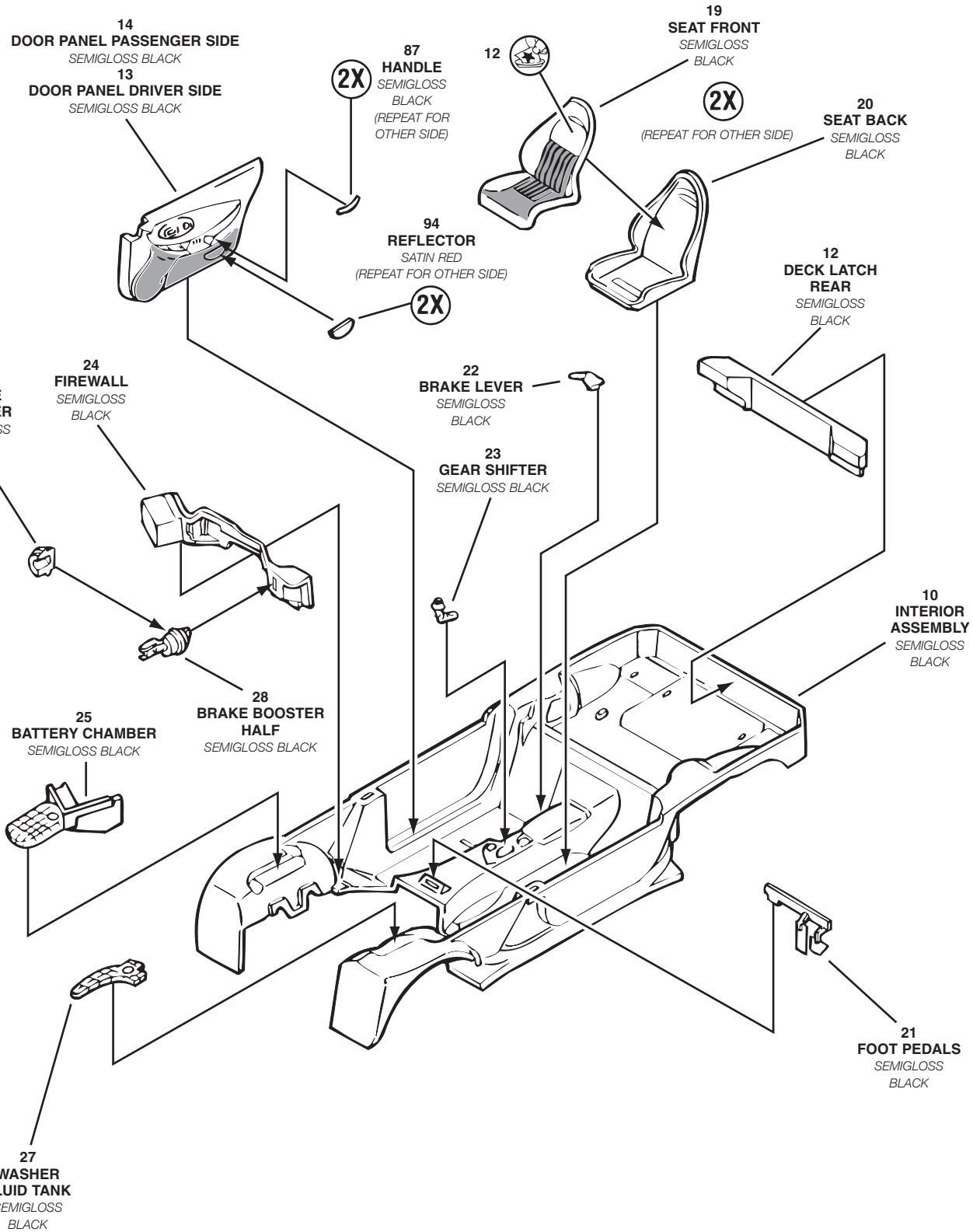
10 INTERIOR ASSEMBLY  
SEMIGLOSS BLACK

25 BATTERY CHAMBER  
SEMIGLOSS BLACK

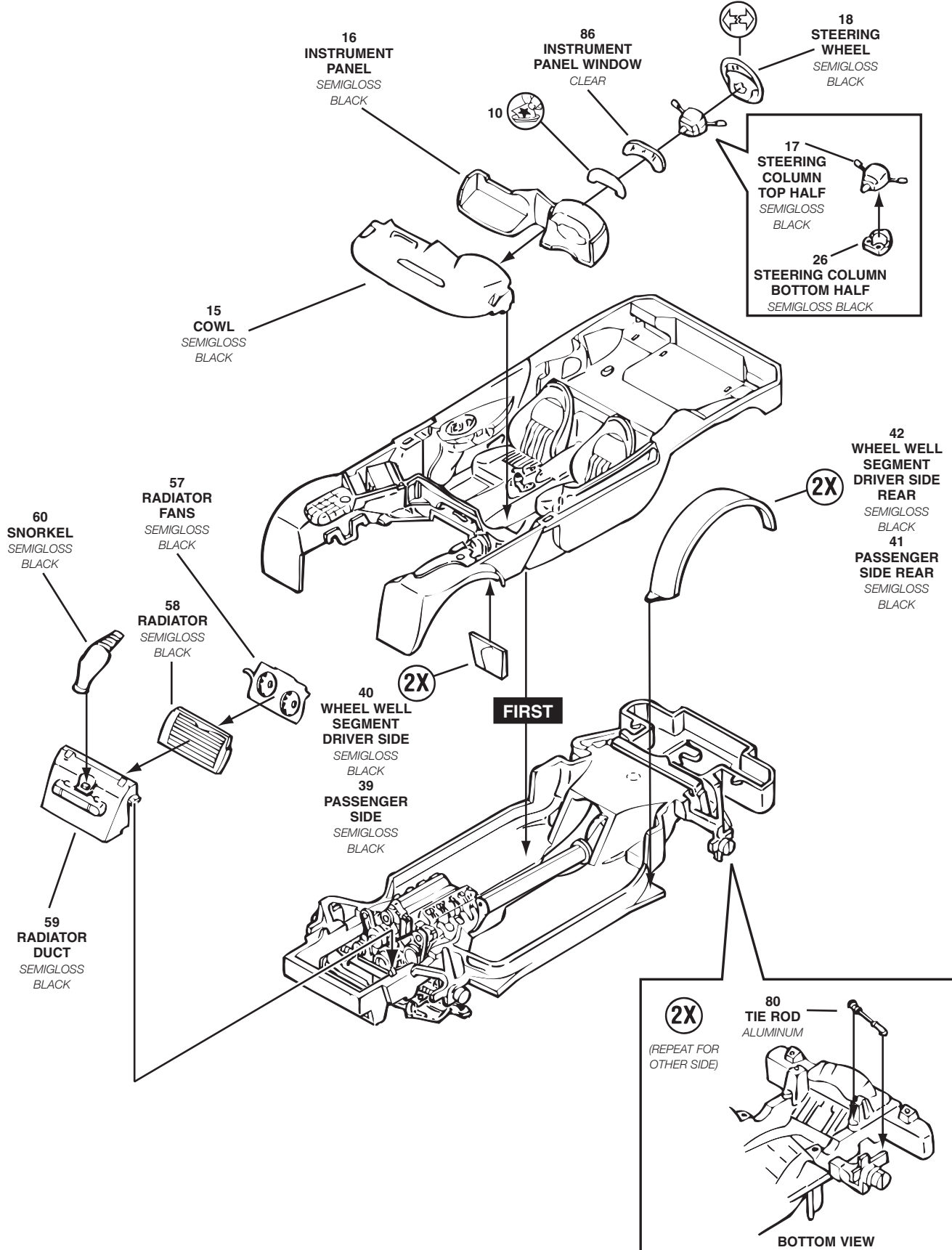
28 BRAKE BOOSTER HALF  
SEMIGLOSS BLACK

27 WASHER FLUID TANK  
SEMIGLOSS BLACK

21 FOOT PEDALS  
SEMIGLOSS BLACK



# CHASSIS ASSEMBLY



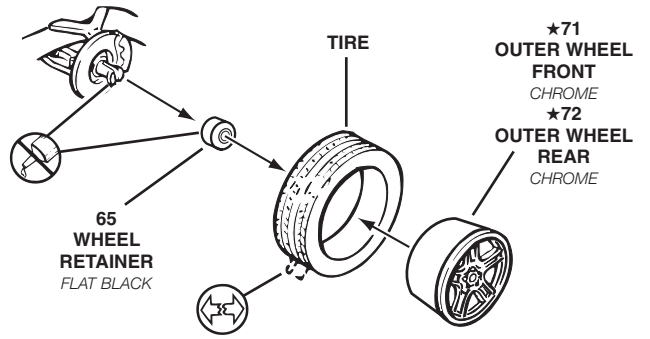


# 6

# TIRE ASSEMBLY

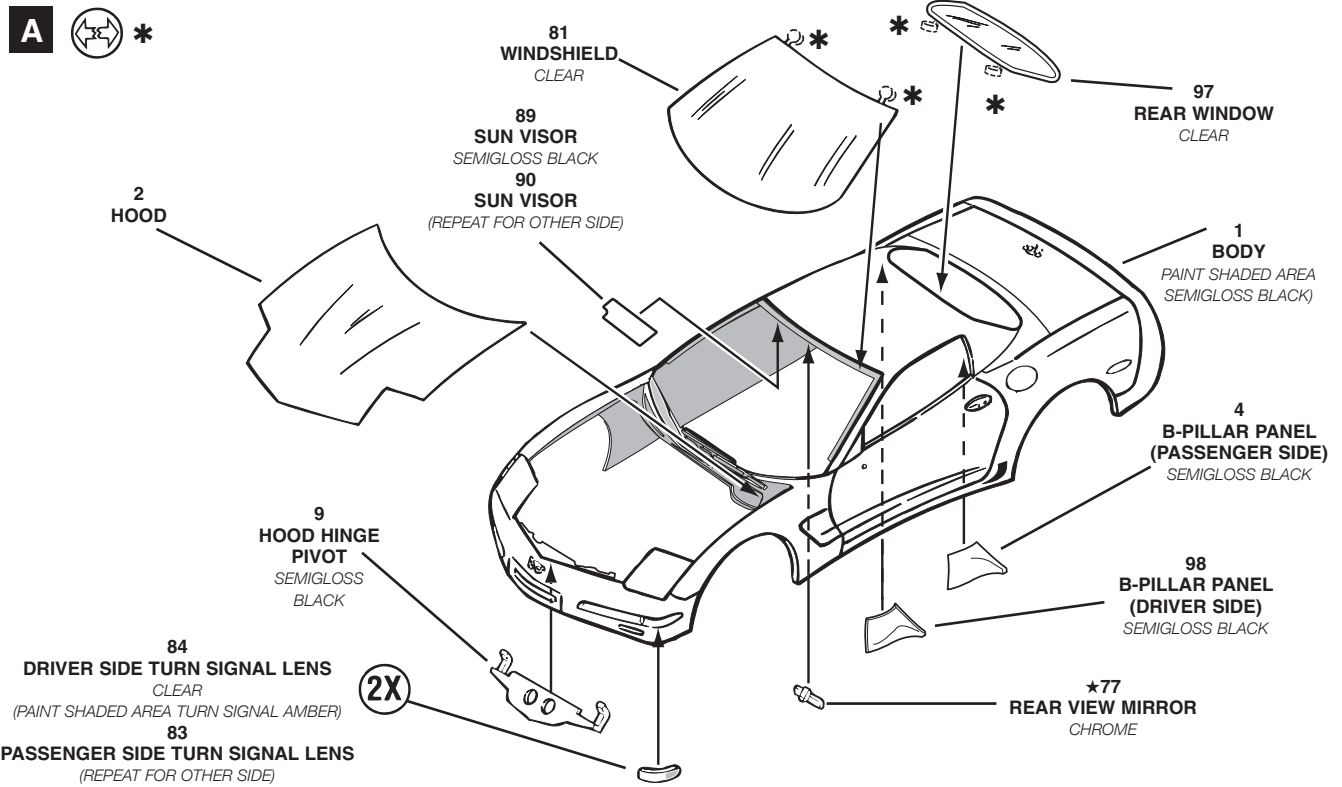
### TIRE PLACEMENT GUIDE

DRIVER SIDE REAR	#170
DRIVER SIDE FRONT	#180
PASSENGER SIDE REAR	#160
PASSENGER SIDE FRONT	#150

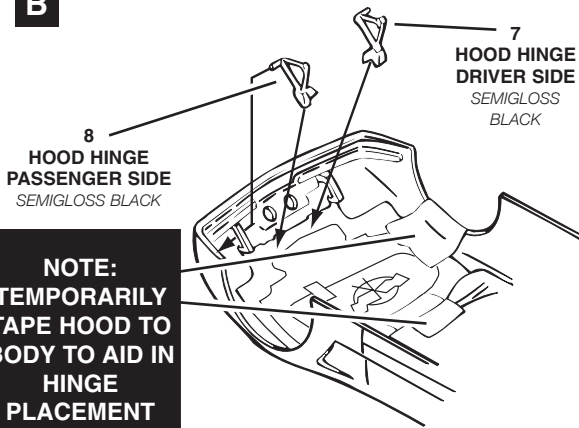


# 7

# BODY ASSEMBLY



## B



## C

