



KIT 2014



VIPER
SRT-10 COUPE

85201400200

The Dodge Viper SRT10 has always been a car of extremes. Designed from day one as a car for those who take driving not as a chore but as a passion. Quick acceleration, nimble handling, not as practical as some cars perhaps, but big time fun isn't always practical. Besides, that's why Dodge also builds a fine minivan.

By now, you're probably familiar with the more common SRT10 roadster. The coupe body style was originally developed for the racing circuits and production versions are available as well, the subject of this kit. The roof structure adds an additional measure of safety for the driver and also stiffens the car's entire structure. You will find the same 506 cubic inch V-10 engine producing 510 horsepower and 535 lb-ft of torque as the roadster.

A six speed manual transmission is offered with this huge motor.

Climbing in, you find yourself surrounded by large bolsters on either side of the seat to hold you in place during spirited cornering. If you have been neglecting to go to the gym lately you'll be wishing you had. Looking past the fat-rimmed three spoke steering wheel, you'll see white-faced gauges in the dash including a speedometer

that ranges up to 220 miles per hour. You can realistically expect a top speed of 190 mph or so if you have the nerve. Get some practice with the clutch and shifter and you'll be able to accelerate to 60 mph from a standing start in just under four seconds. Not many years ago you would have to have been driving an actual race car to experience that kind of amazing performance, something that the Viper SRT10 is not that far from. The car's handling is equally amazing, something like a full-size slot car but without a slot in the road. Part of the credit goes to the huge tires, 13 and a half inches wide in the rear.

One nice thing about owning the full-size Viper SRT10 coupe is that you won't have much trouble finding it in the parking lot-just look for the crowd of people around it.. One nice thing about this 1:25 Revell Viper model kit is that now you can have yours in any color you desire, not just the red, blue, black or yellow Dodge offers. True, you can't drive it, but you can still show it off to your friends when you're finished and you likely paid far less than the \$87,000 entry fee the real car requires.



* REPEAT SEVERAL TIMES
* A REPETER PLUSIEURS FOIS



* OPTIONAL PARTS
* PIECES EN OPTION



* DECAL
* DECAL COMANIE



* ALTERNATIVE ASSEMBLY
* ENSEMBLAGE ALTERNATIVE



* CEMENT TOGETHER
* A COLLER



* REMOVE AND THROW AWAY
* A RETIRER ET JETER



* DO NOT CEMENT
* NE PAS COLLER

READ THIS BEFORE YOU BEGIN

- * Study the assembly drawings.
- * Each plastic part is identified by a number.
- * In the assembly drawings, some parts will be marked by a star (★) to indicate chrome plated plastic.
- * For better paint and decal adhesion, wash the plastic parts in a mild detergent solution. Rinse and let air dry.
- * Check the fit of each piece before cementing in place.
- * Use only cement for polystyrene plastic.
- * Scrape plating and paint from areas to be cemented.
- * Allow paint to dry thoroughly before handling parts.
- * Any unused parts may be discarded.

DECAL APPLICATION INSTRUCTIONS

1. Cut desired decal from sheet.
2. Dip decal in water for a few seconds.
3. Place wet decal on paper towel.
4. Wait until decal is movable on paper backing.
5. Place decal in position on model, face up and slide backing away.
6. Press out air bubbles with a soft damp cloth.
7. Milkyness that may appear is for better decal adhesion and will dry clear. Wipe away any excess adhesive.
8. Do not touch decal until fully dry.
9. Allow the decals 48 hours to dry before applying clear coat.

NOTE: Decals are compatible with setting solutions or solvents.

LIRE CE QUI SUIT AVANT DE COMMENCER

- * Etudier les schémas de montage.
- * Chaque pièce en plastique est identifiée par un numéro.
- * Sur les schémas de montage, certaines pièces sont marquées d'une étoile (★) pour indiquer qu'elles sont en plastique chromé.
- * Pour une meilleure prise de la peinture et des autocollants, laver les pièces en plastique avec une solution détergente peu concentrée. Les rincer et les laisser sécher à l'air.
- * Vérifier que chaque pièce s'ajuste bien avant de la coller en place.
- * N'utiliser que de la colle pour polystyrène.
- * Gratter les parties à coller pour enlever le chrome et la peinture.
- * Laisser la peinture bien sécher avant de manipuler les pièces.
- * Toute pièce inutilisée peut être jetée.

DIRECTIVES D'APPLICATION DES AUTOCOLLANTS

1. Découper l'autocollant désiré de la feuille.
2. Tremper l'autocollant dans de l'eau pendant quelques secondes.
3. Placer l'autocollant mouillé sur une serviette en papier.
4. Attendez que l'autocollant puisse être déplacé sur son support en papier.
5. Mettre l'autocollant en position sur le modèle face sur le dessus et faire glisser le support pour l'enlever.
6. Appuyer avec un chiffon doux humide pour éliminer les bulles d'air.
7. La substance laiteuse qui peut apparaître est destinée à améliorer l'adhésion de l'autocollant et devient incolore au séchage. Essuyer pour enlever tout excédent d'adhésif.
8. Ne pas toucher l'autocollant tant qu'il n'est pas bien sec.
9. Laisser l'autocollant sécher pendant 48 heures avant d'appliquer une couche transparente.

REMARQUE: Les autocollants sont compatibles avec les solutions de fixation ou les solvants.

This paint guide is provided to complete this kit as shown on the box.

Ce guide de peinture est fourni pour reproduire le modèle réduit qui apparaît sur la boîte.

Aluminum	Aluminium
Dark Gray	Gris foncé
Flat Black	Noir mat
Gloss Black	Noir brillant
Gloss Red	Rouge brillant
Gloss White	Blanc brillant
SemiGloss Black	Noir satiné
Silver	Argent
Steel	Acier
Tranparent Red	Rouge transparent

If you have any questions or comments, call our hotline at: (800) 833-3570 or, please write to:

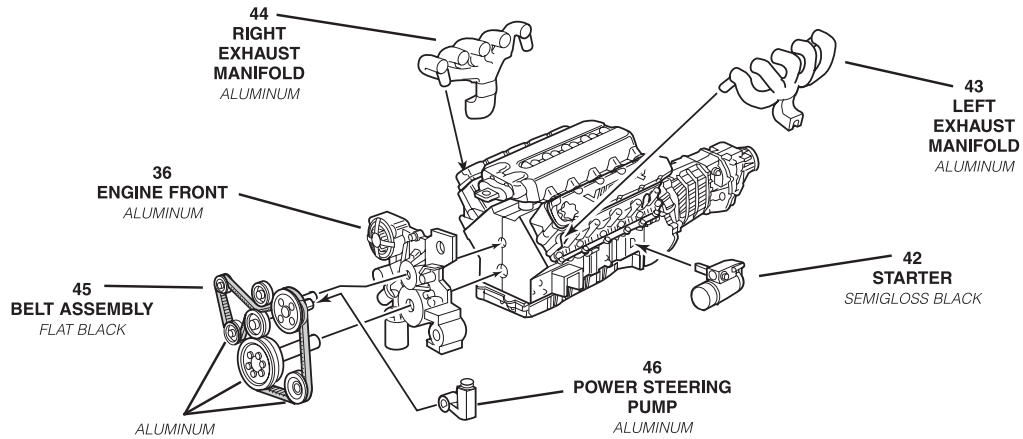
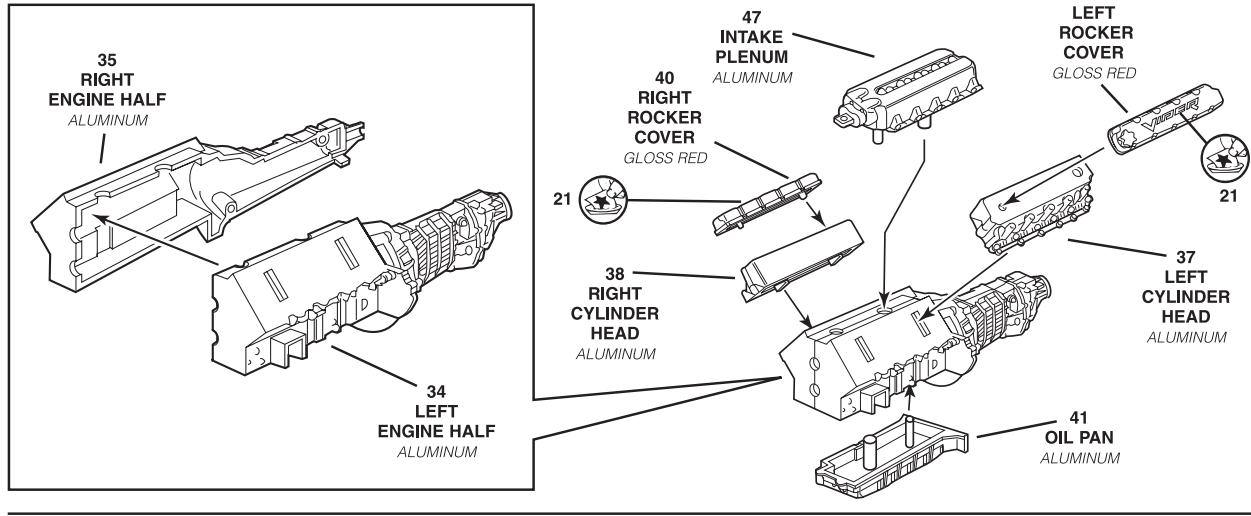
Revell-Monogram Consumer Service Department, 725 Landwehr Road, Northbrook, Illinois 60062

Be sure to include the plan number (85201400200), part number, description, your return address and phone number.

Visit our website: www.revell.com

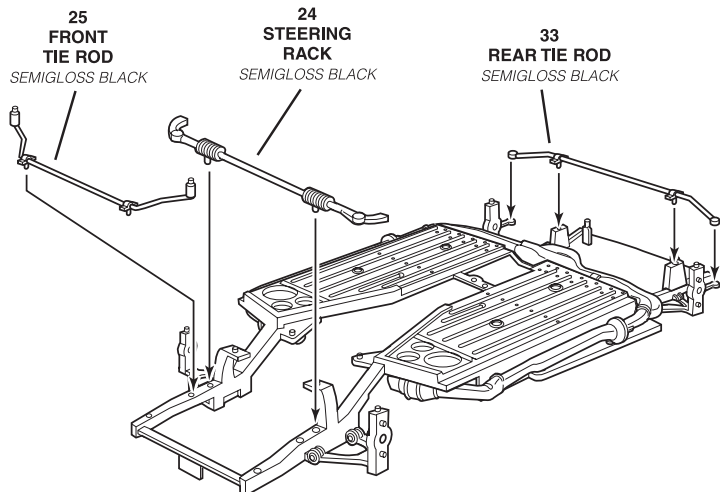
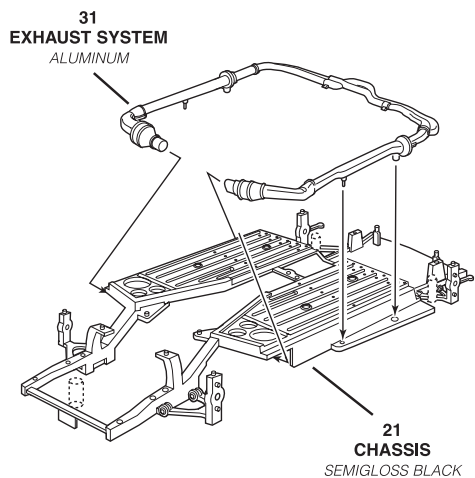
1

ENGINE ASSEMBLY



2

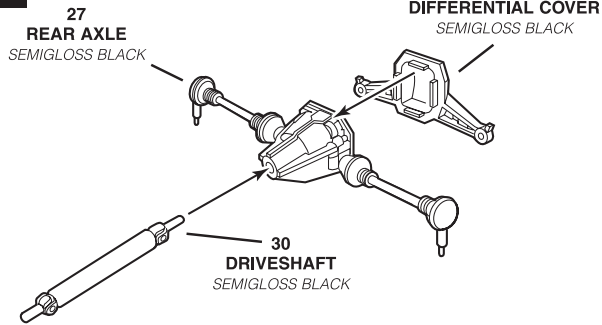
EXHAUST AND SUSPENSION ASSEMBLY



3

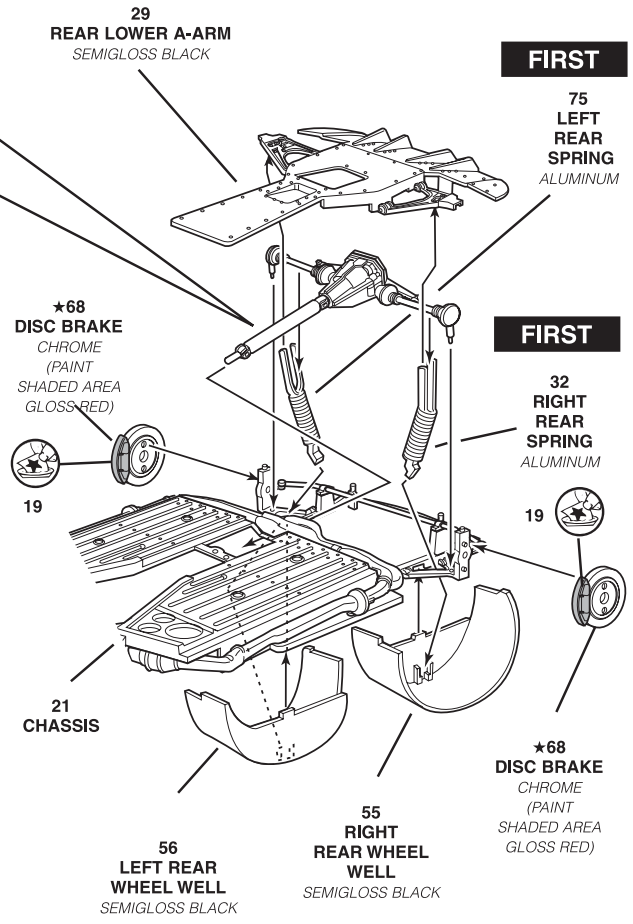
SUSPENSION ASSEMBLY

A



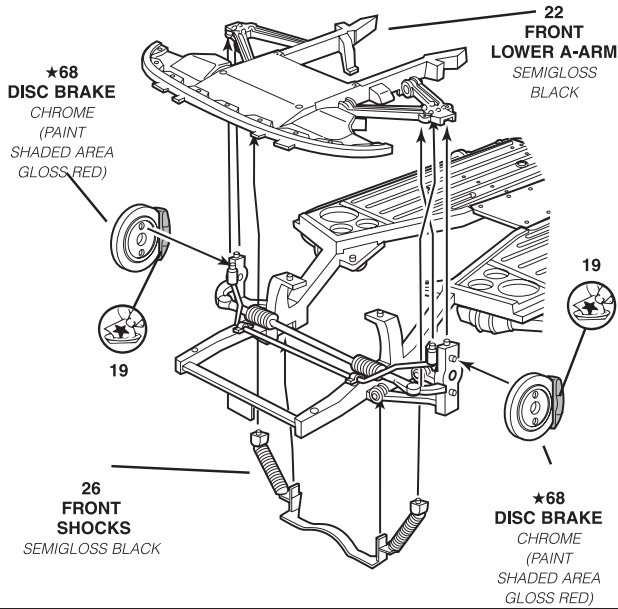
B

REAR SUSPENSION



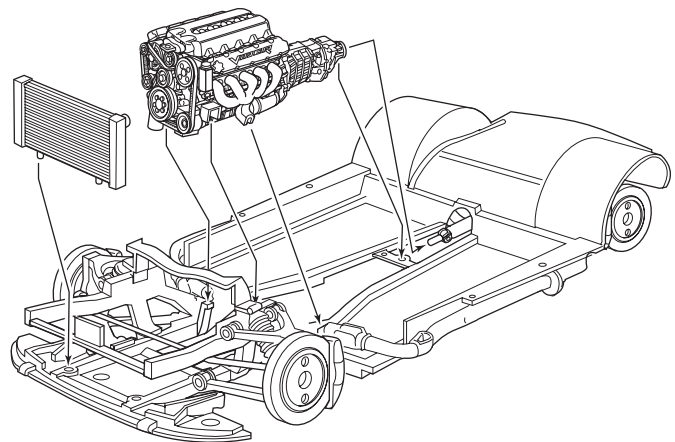
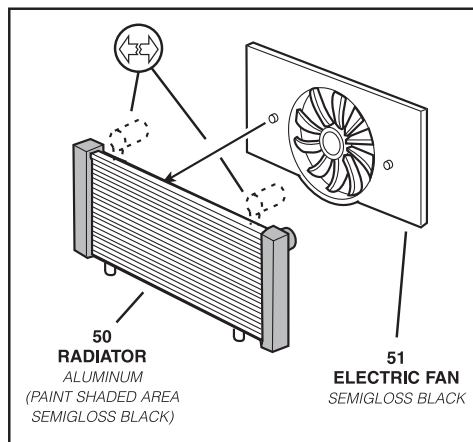
C

FRONT SUSPENSION



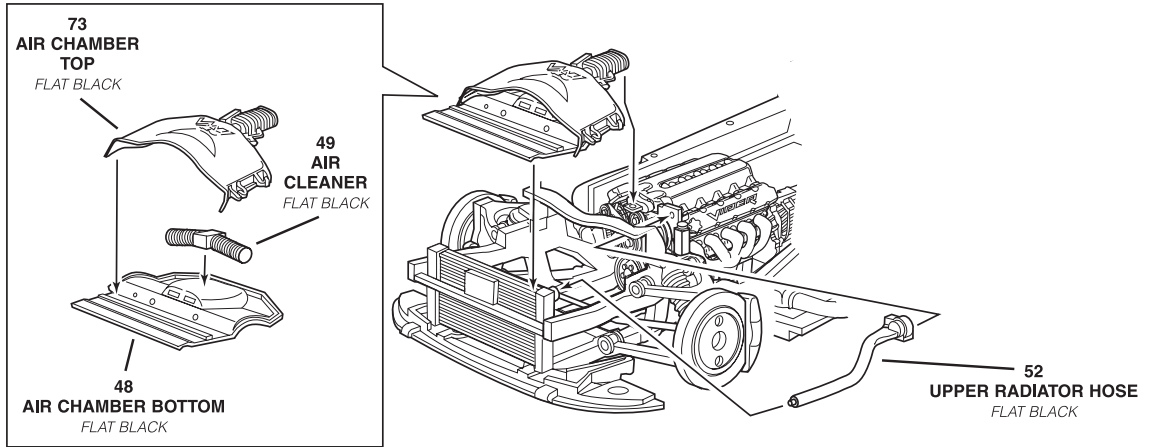
4

RADIATOR ASSEMBLY



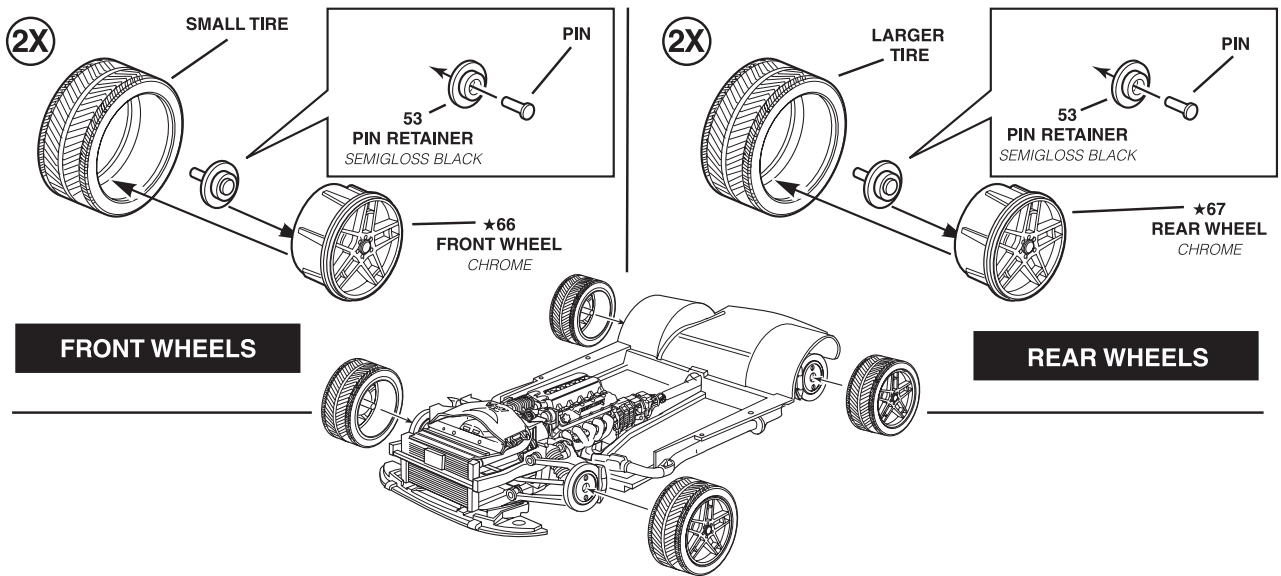
5

AIR FILTER AND INTAKE ASSEMBLY



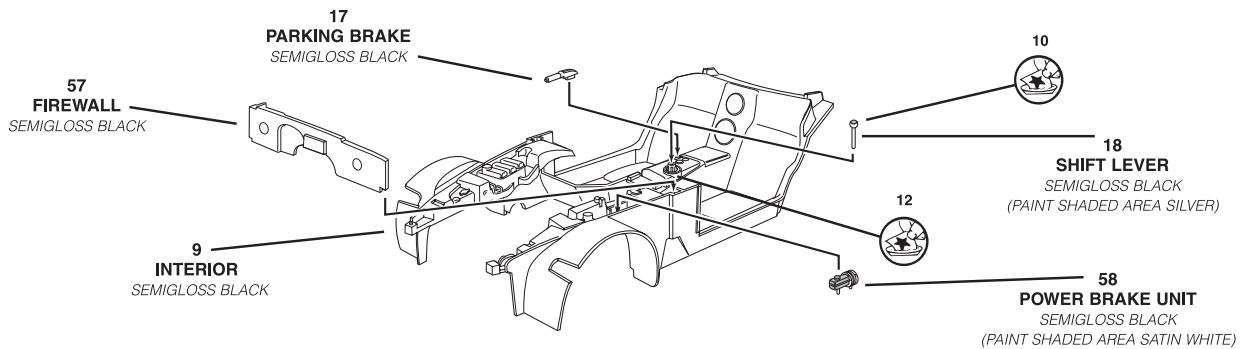
6

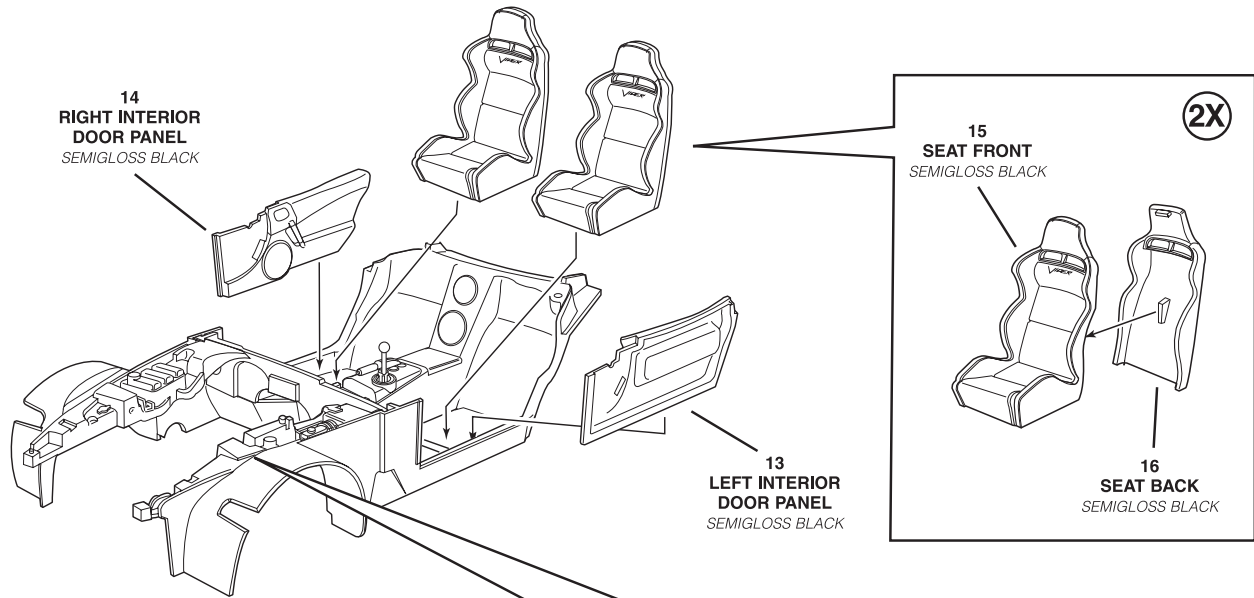
TIRE ASSEMBLY



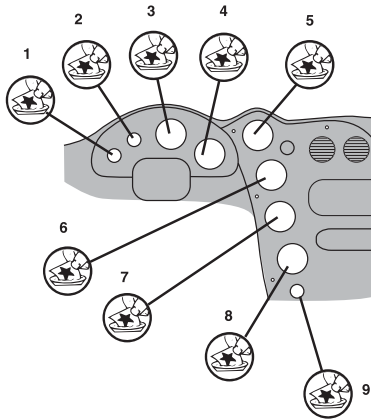
7

INTERIOR ASSEMBLY

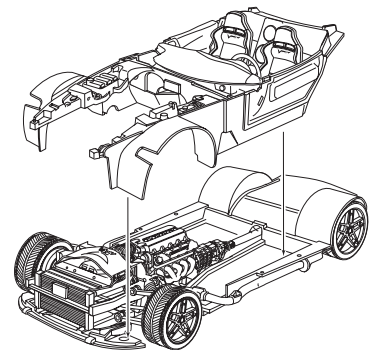
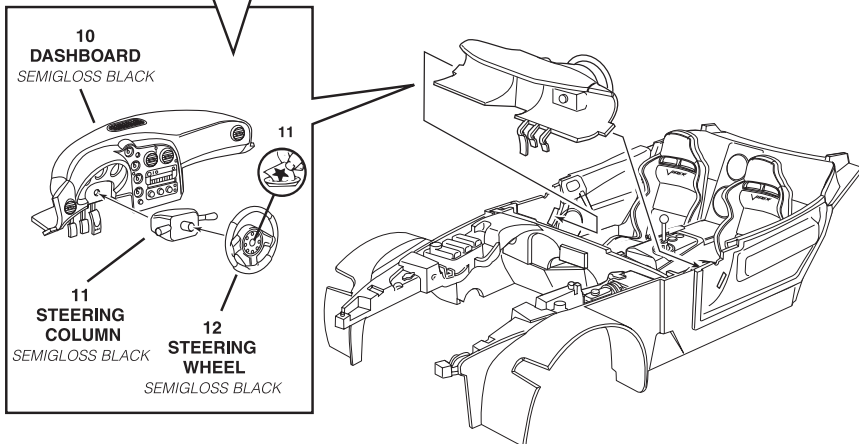
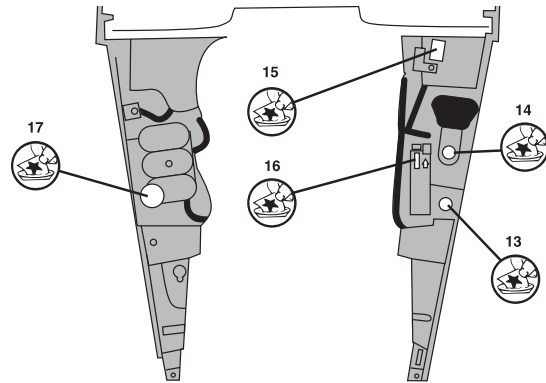




DASHBOARD DECALS

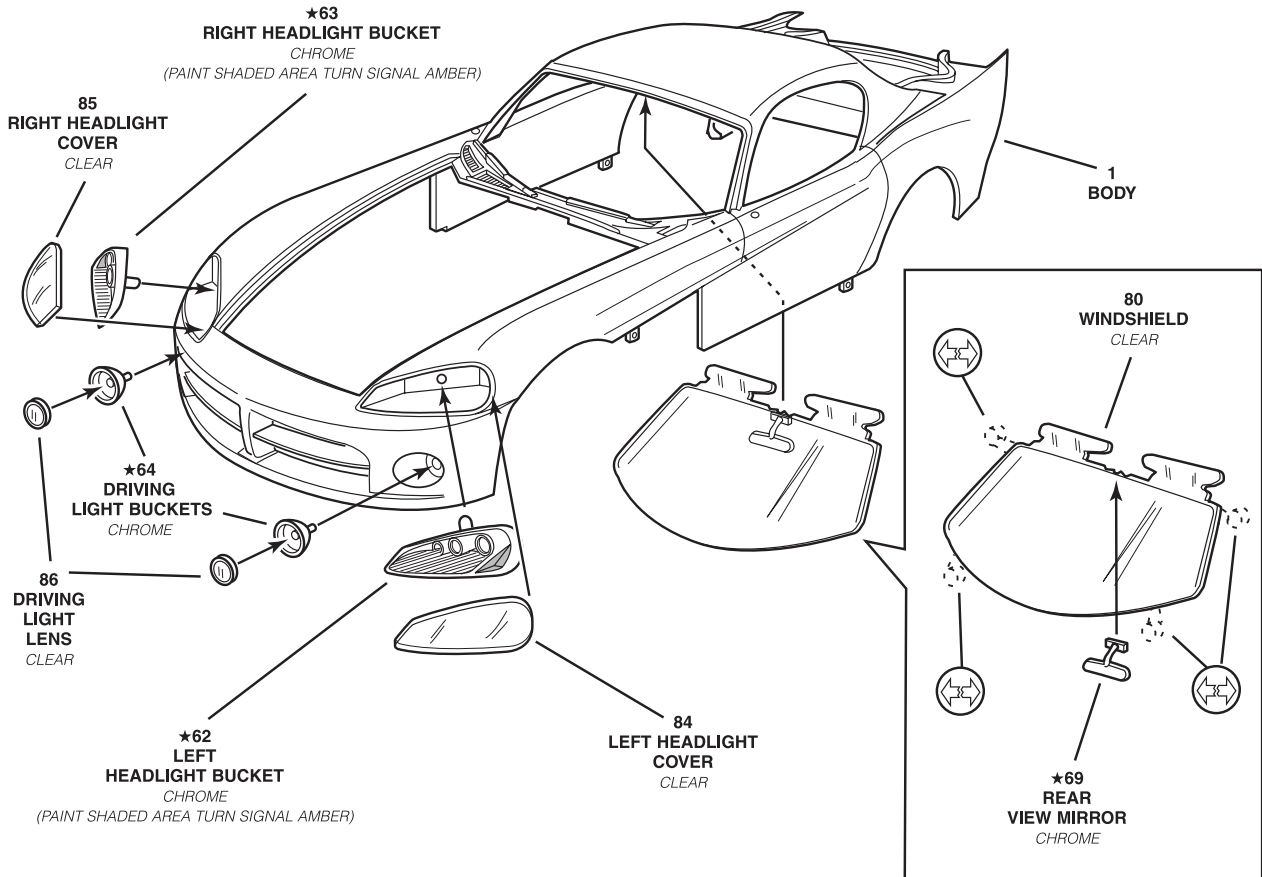


ENGINE COMPARTMENT DECALS



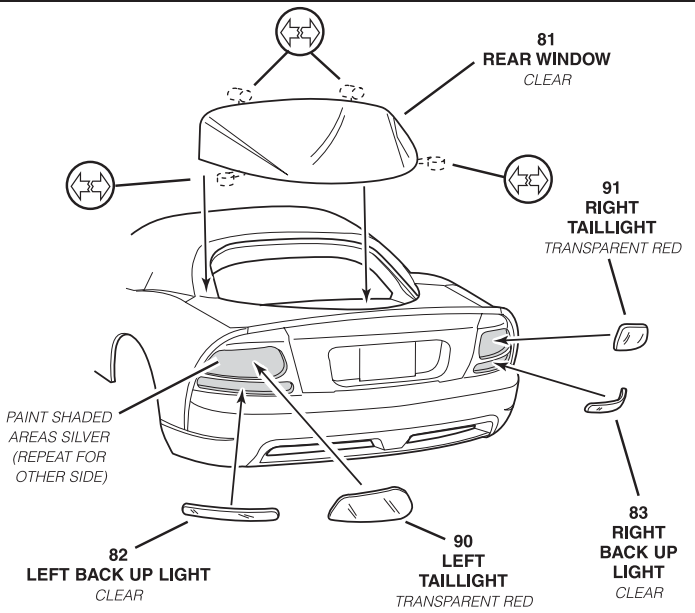
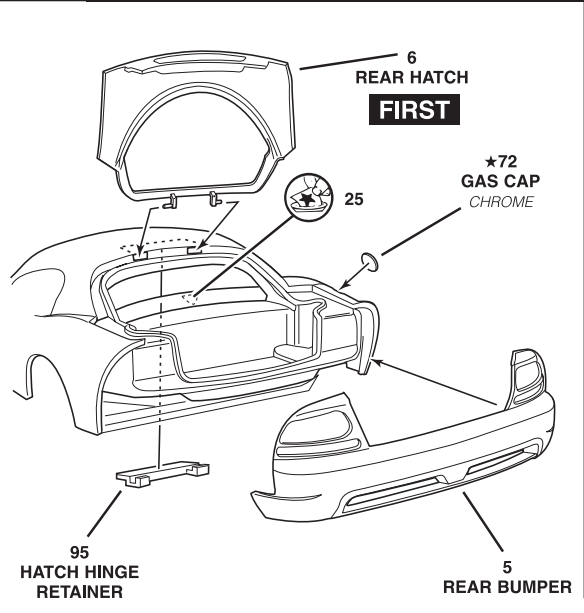
8

HEAD LIGHTS AND WINDSHIELD ASSEMBLY



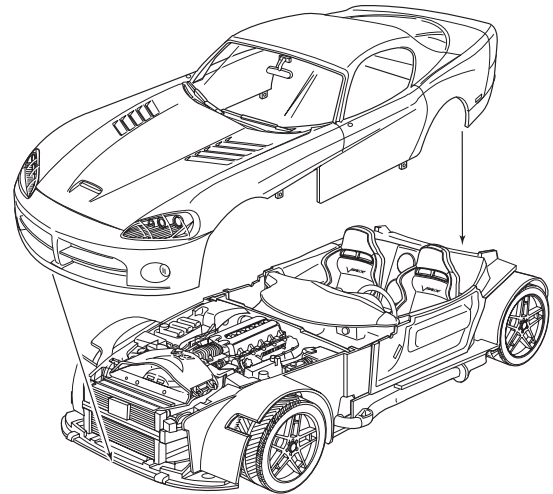
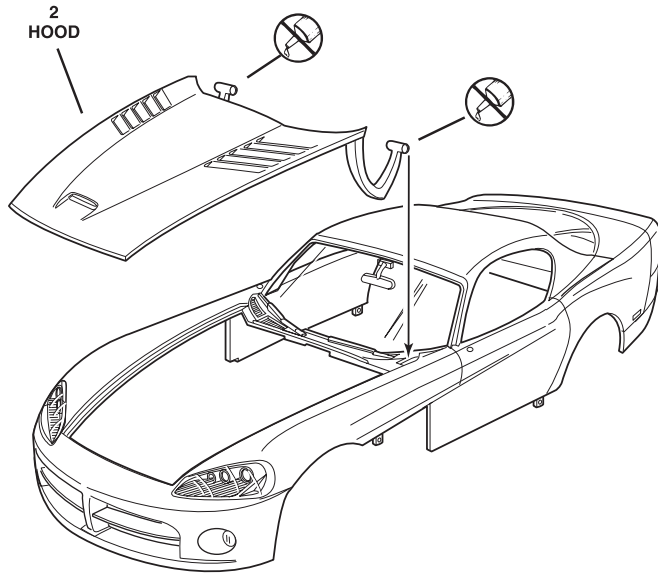
9

REAR ASSEMBLY



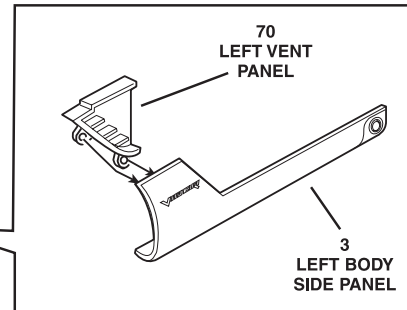
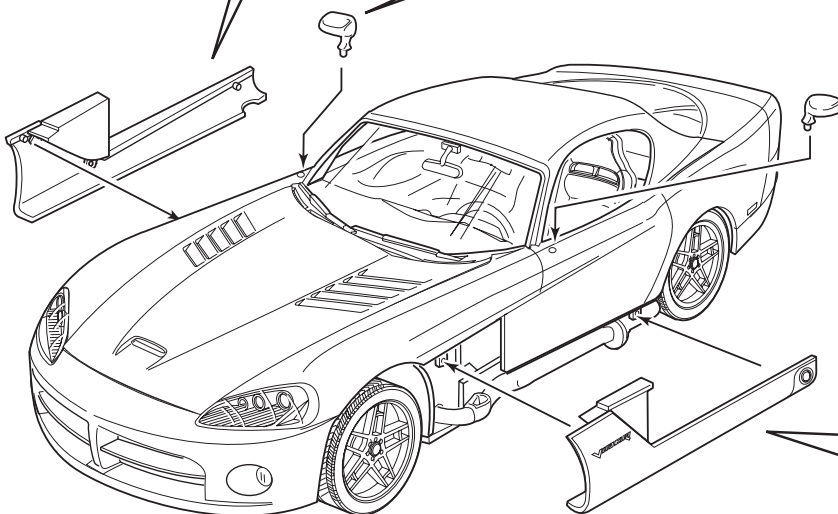
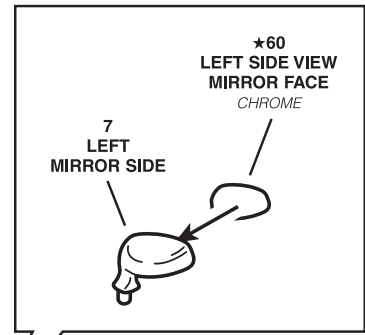
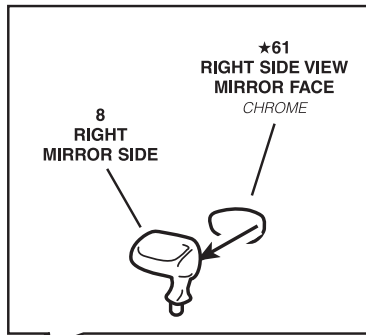
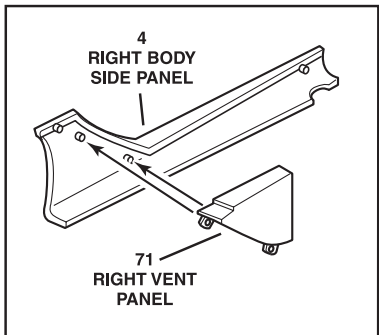
10

HOOD / BODY/CHASSIS ASSEMBLY



11

PANELS / MIRRORS ASSEMBLY



DECAL PLACEMENT

