

Revell

KIT 1854

85185400200

MILLENNIUM FALCON

The Corellian transporter is reputed to be one of the fastest and best-equipped ships in the galaxy. The Millennium Falcon may look old and broken down, but continual modifications have made it into something special. The crew has for years consisted of the reckless pilot and smuggler become hero of the rebel alliance, Han Solo, and his co-pilot and technician, the trusty Wookiee Chewbacca. A long time ago Solo won the ship from Lando Calrissian in a game of sabacc. The Corellian transport type YT-1300 played an important role in the destruction of both battle stars and is probably the most famous ship in the galaxy. Inside the ship there is a hyperdrive that gives it almost double the speed of any imperial star cruiser. The heavily armored Falcon has an illegal bank of sensors that can track distant imperial ships before they are aware of its presence. The ship goes into battle with the most up-to-date imperial deflector system, two quad laser cannon and two disruptors.



* REPEAT SEVERAL TIMES
* A REPETER PLUSIEURS FOIS



* REMOVE AND THROW AWAY
* A RETIRER ET JETER



* TRIM
* D'ECOUPER



* REMOVABLE
TAPE



* OPTIONAL PARTS
* PIECES EN OPTION

READ BEFORE YOU BEGIN

- CLEAR A SPACE TO WORK ON.
- STUDY THE ASSEMBLY DRAWINGS BEFORE YOU BEGIN.
- EACH PLASTIC PART IS IDENTIFIED BY A PART NUMBER.
- THIS KIT MAY BE SNAPPED TOGETHER BUT PARTS MAY BE CEMENTED IF YOU PREFER.
- TRIM TO REMOVE EXTRA PLASTIC AND FILE SMOOTH BEFORE PART ASSEMBLY.

CAUTION:
POSITION ALL PARTS IN THIS KIT CAREFULLY. PARTS WILL ONLY SNAP TOGETHER ONCE.

À LIRE AVANT DE COMMENCER

- DÉGAGEZ UN ESPACE POUR TRAVAILLER.
- ÉTUDIEZ LES ÉTAPES DE MONTAGE AVANT DE COMMENCER.
- CHAQUE PIÈCE EN PLASTIQUE PORTE UN NUMÉRO DE PIÈCE.
- CETTE MAQUETTE L'ASSEMBLAGE PAR SIMPLE PRESSION, MAIS VOUS POUVEZ COLLER LES PIÈCES SI VOUS LE PREFEREZ.
- D'ECOUPER POUR ENLEVER LE PLASTIQUE SUPERFLU ET BIEN LIMER AVANT L'ASSEMBLAGE DES PIÈCES

MISE EN GARDE:
POSITIONNEZ AVEC PRÉCAUTION TOUTES LES PIÈCES DE CE MODÈLE RÉDUIT, CAR VOUS NE POUVEZ LES EMBOÏTER QU'UNE SEULE FOIS.

If you have any questions or comments, call our hotline at: **(800) 833-3570**
or, please write to:

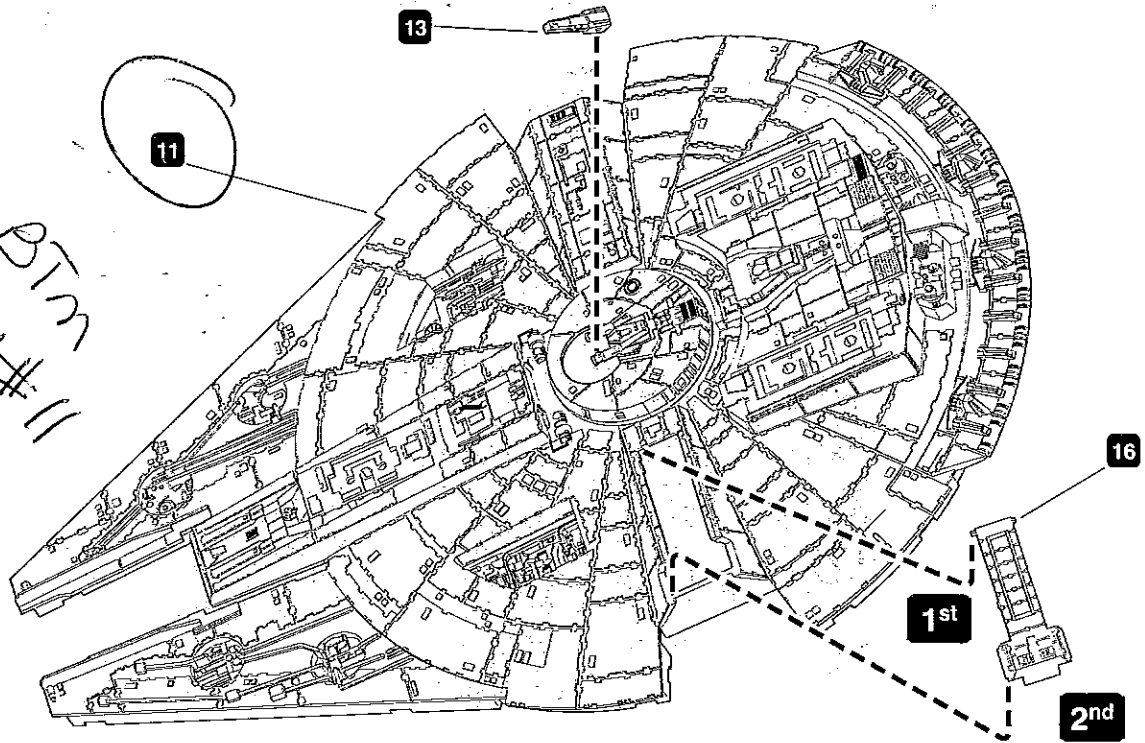
Revell-Monogram Consumer Service Department, 725 Landwehr Road, Northbrook, Illinois 60062

Be sure to include the plan number (85185400200), part number, description, your return address and phone number.

Visit our website: www.revell.com

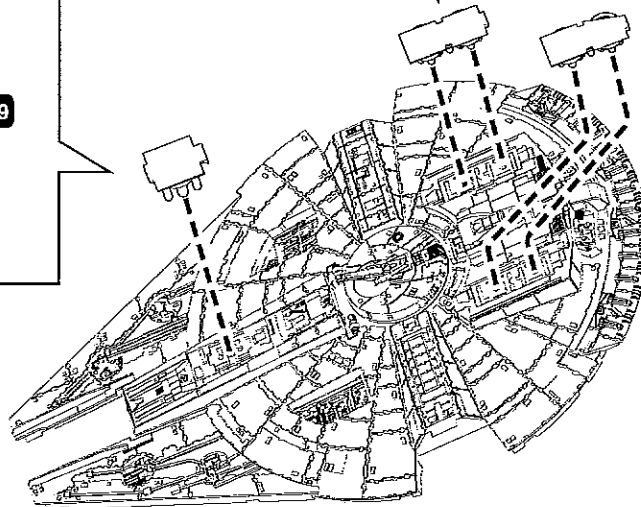
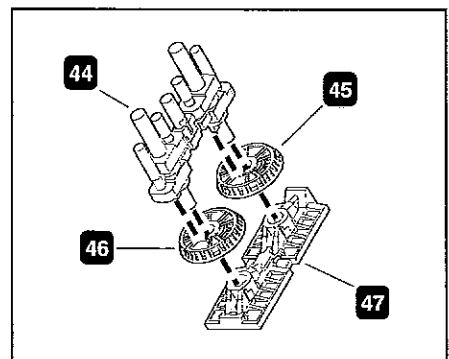
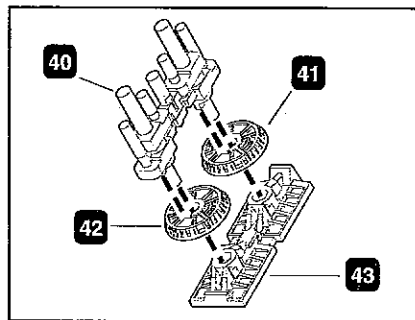
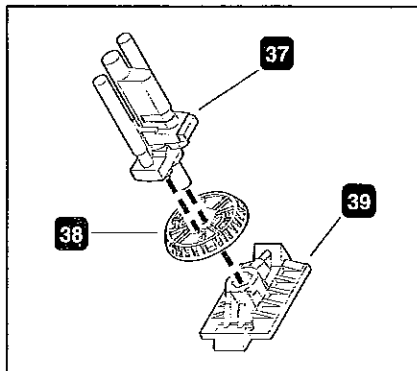
Step 1

BTM
Part # 11



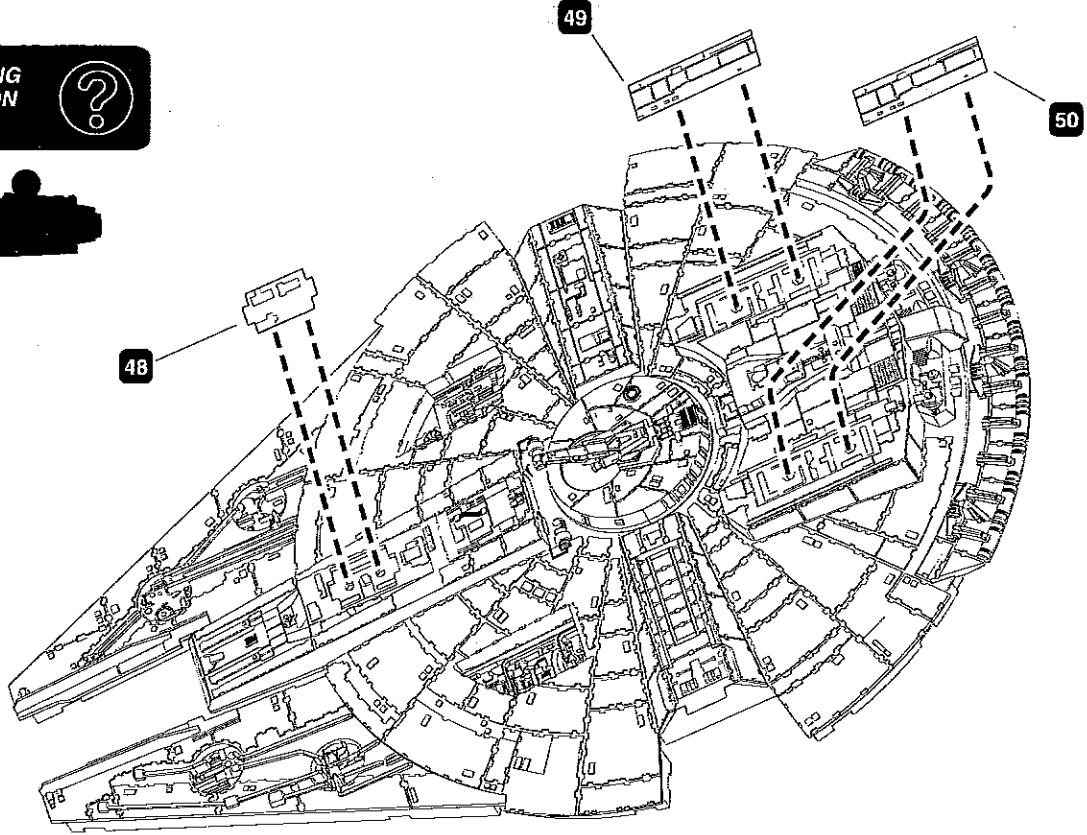
Step 2

OPTIONAL LANDING
GEAR DOWN POSITION
ASSEMBLY

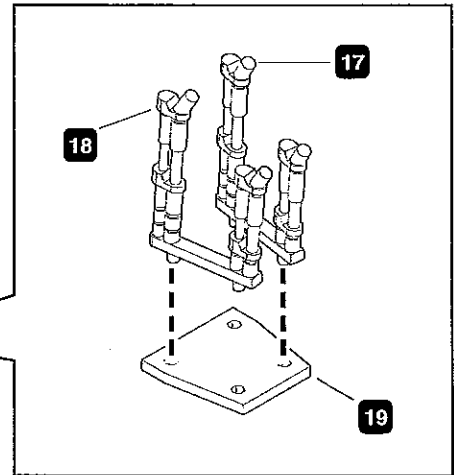
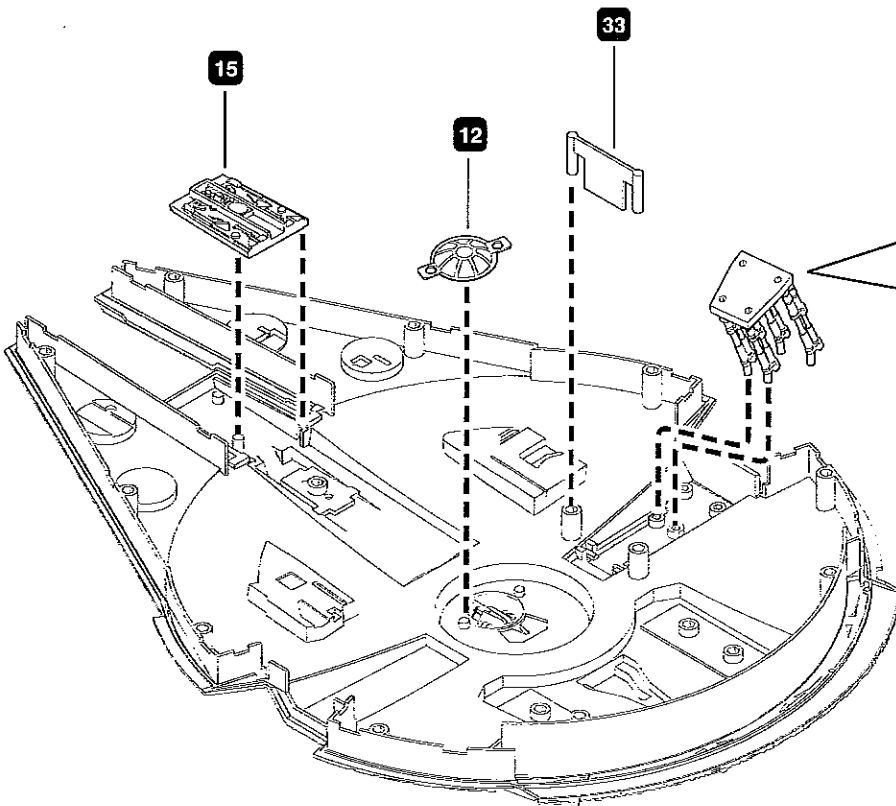


Step 3

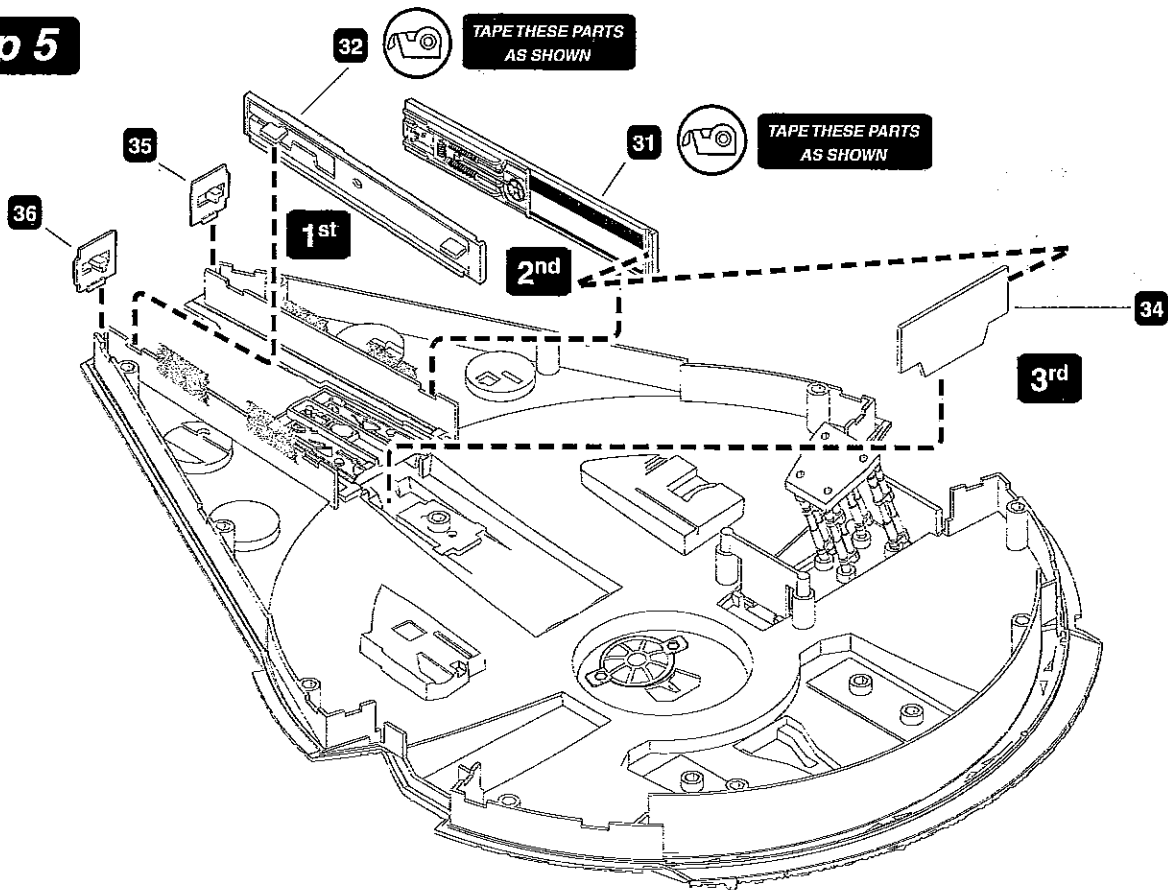
OPTIONAL LANDING
GEAR UP POSITION
ASSEMBLY



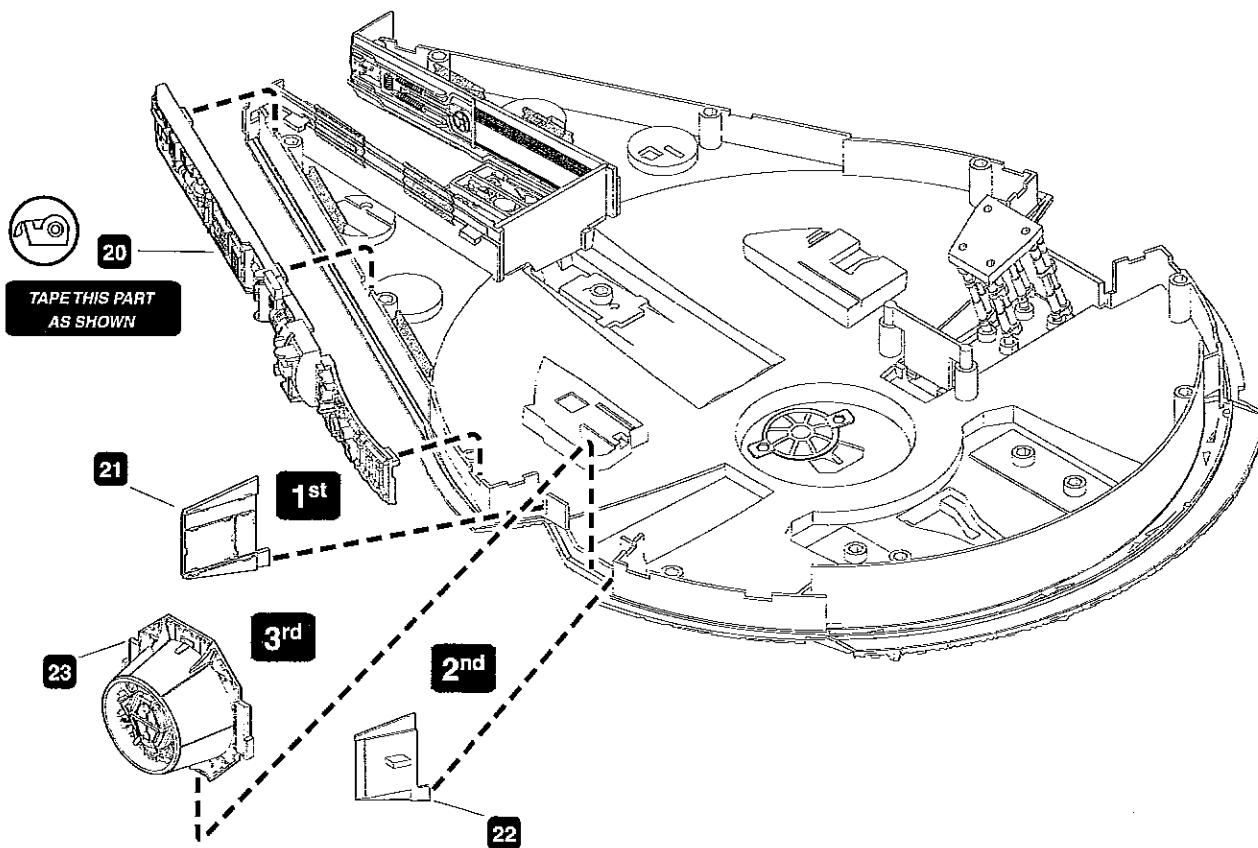
Step 4



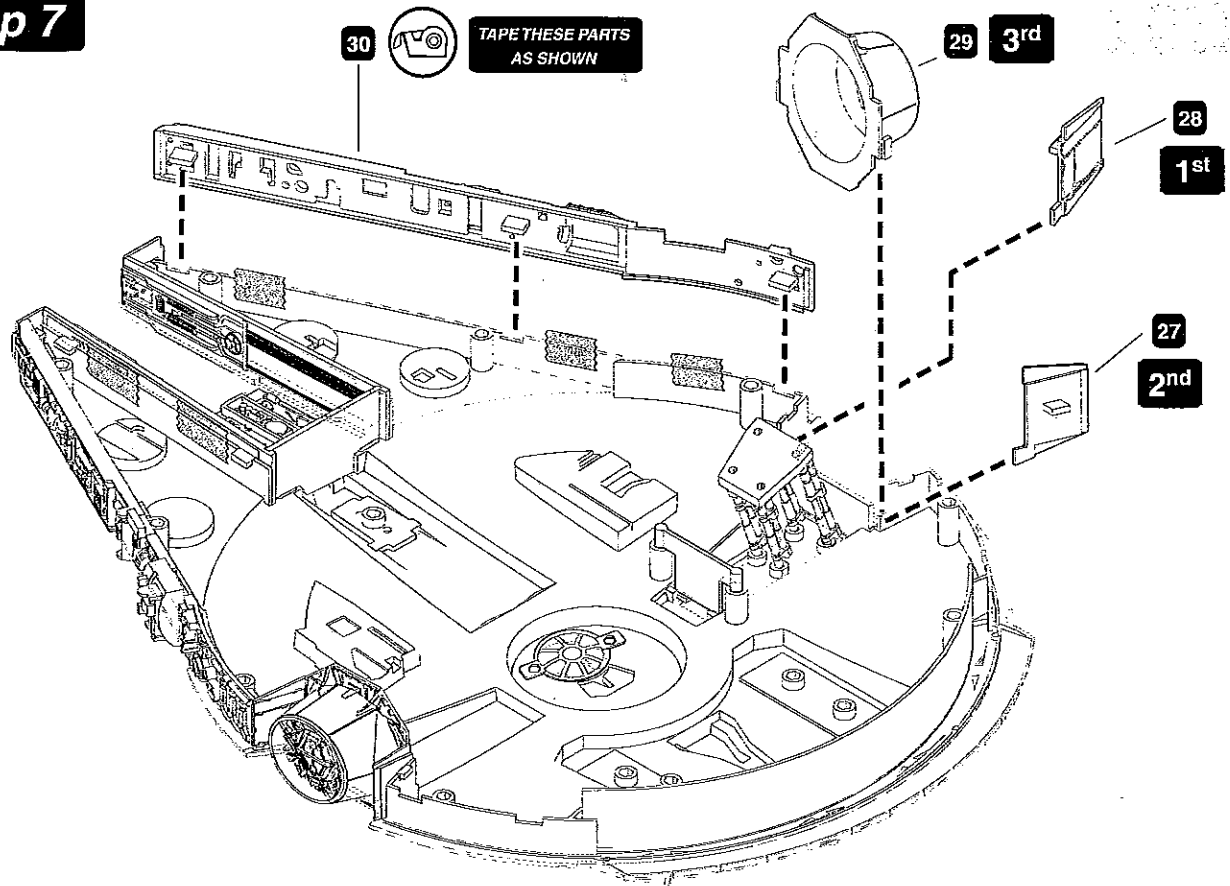
Step 5



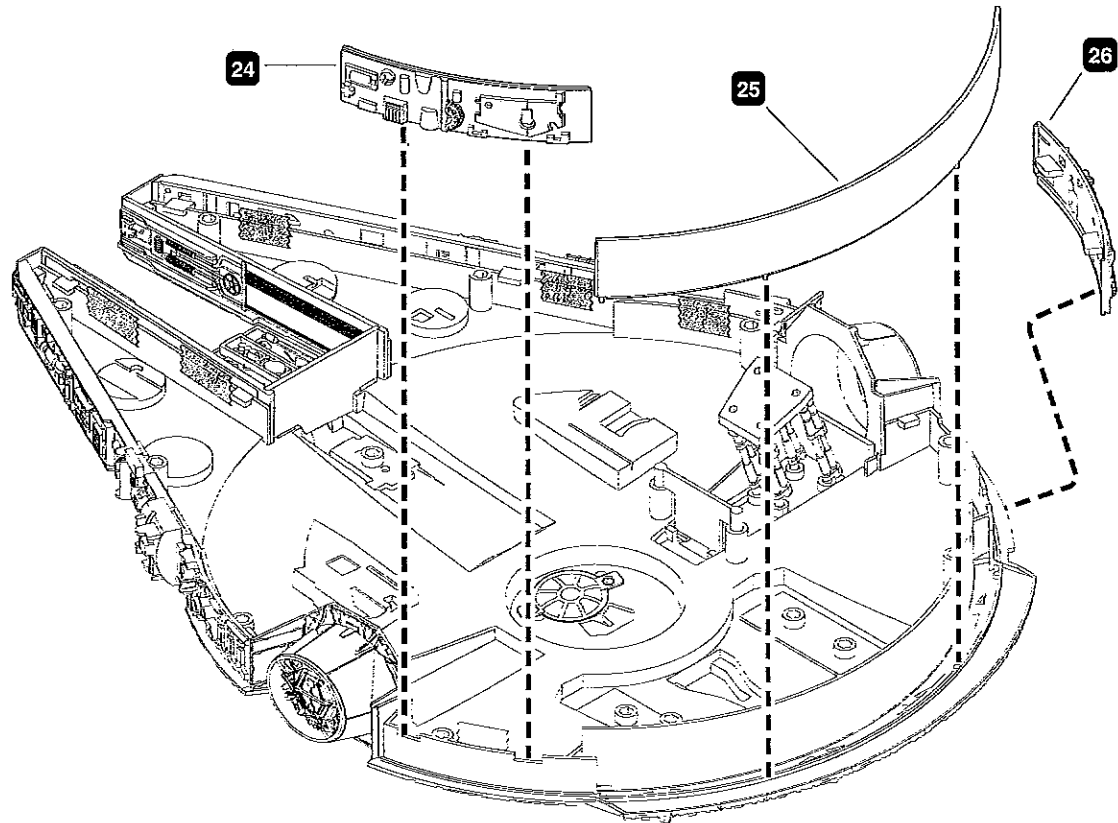
Step 6



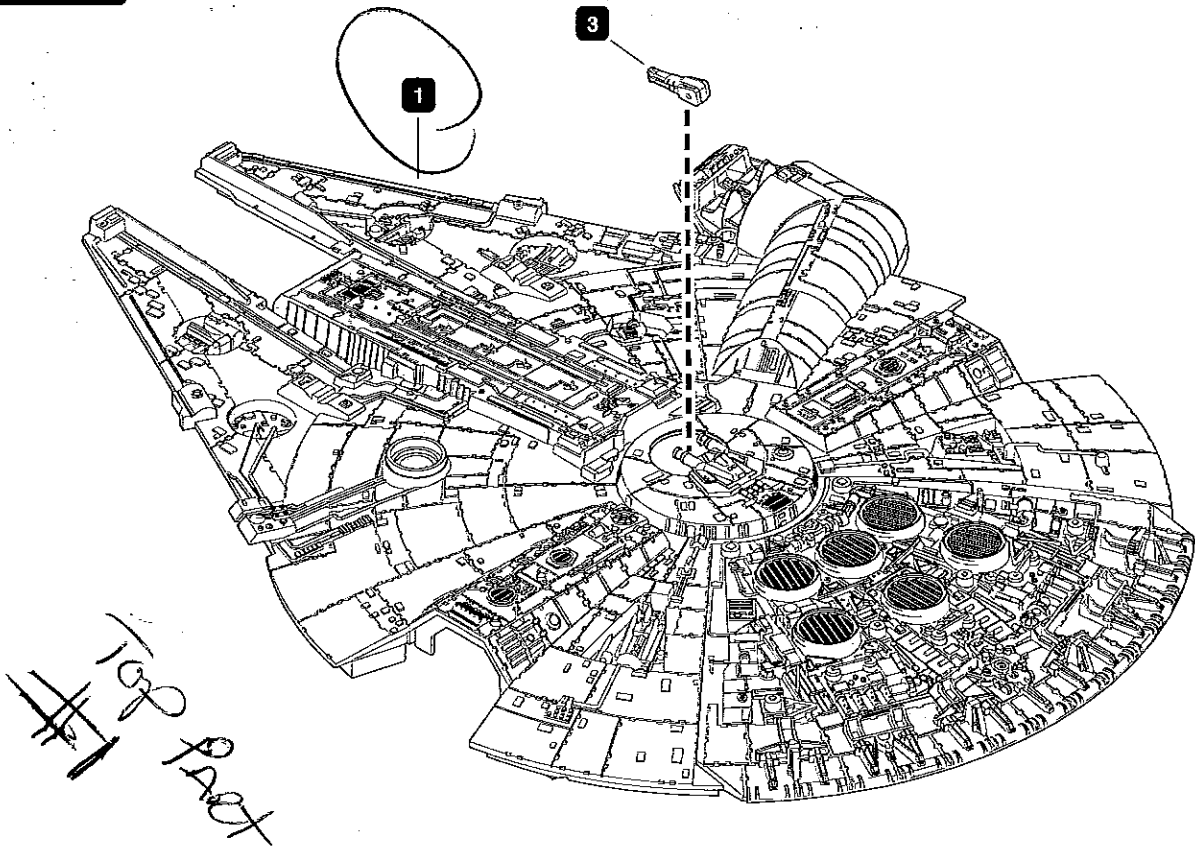
Step 7



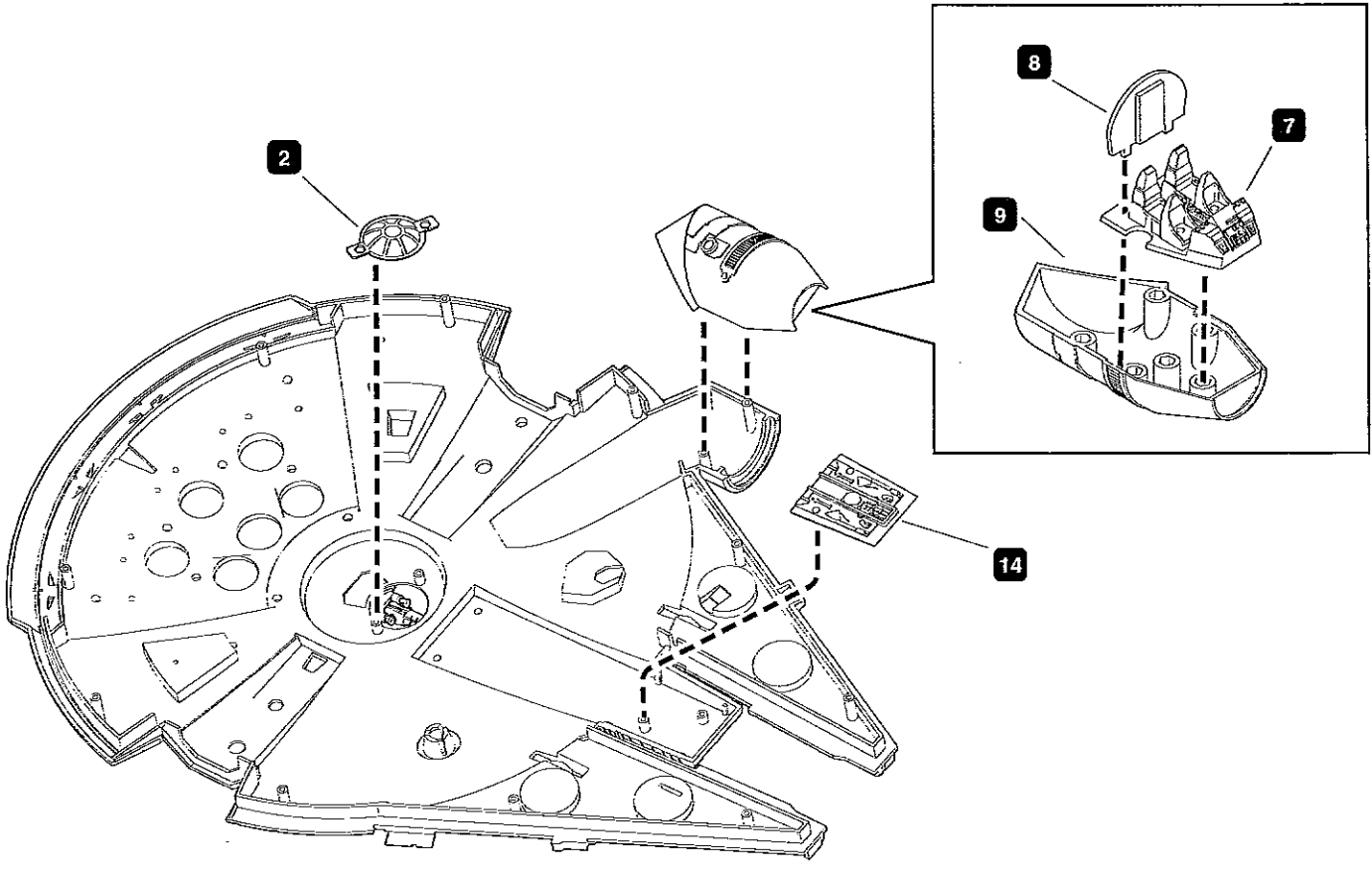
Step 8



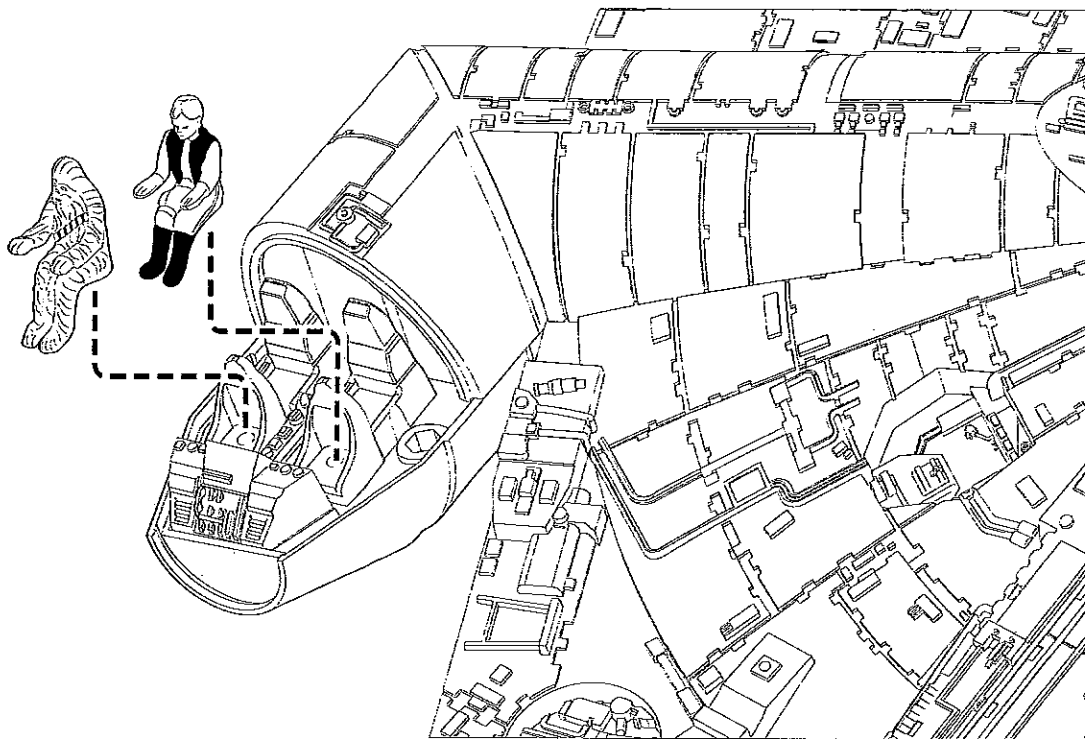
Step 9



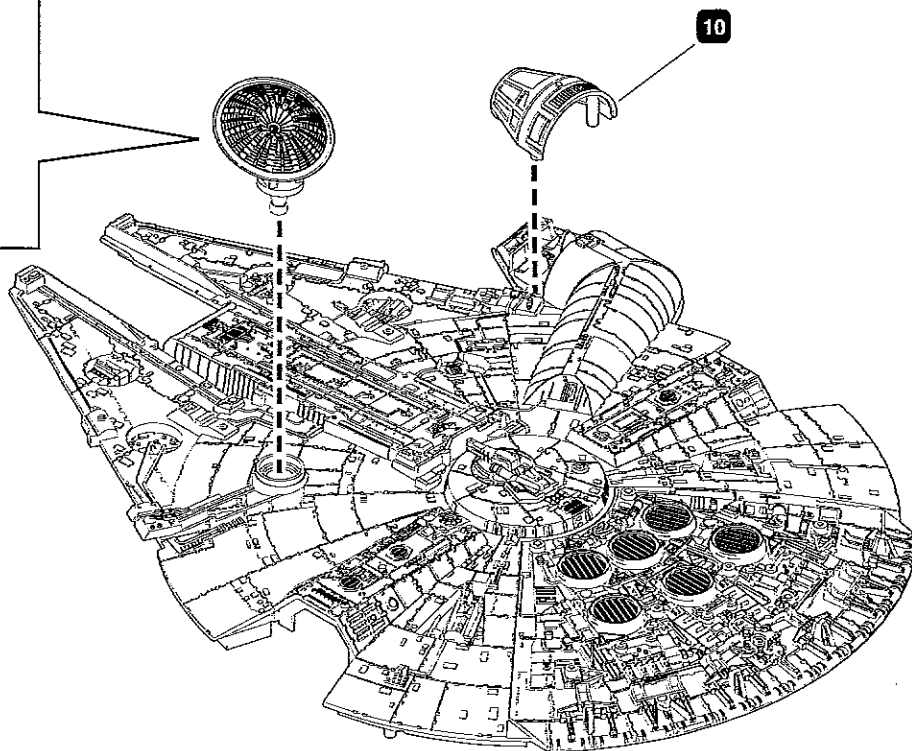
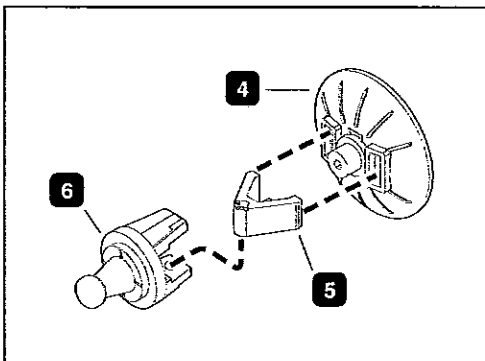
Step 10



Step 11



Step 12



Step 13

