

PRESS SIDES ONTO BOTTOM.

WITH A TOP ROAD SPEED OF 23 MPH, THIS 56 TON TANK COULD TRAVEL 73 MILES ON A TANK OF FUEL. CROSS COUNTRY, RANGE WAS REDUCED TO 42 MILES AT AN AVERAGE SPEED OF 12 MPH.

THE TIGER TANK WAS ONE OF THE MOST POPULAR OF ALL GERMAN WWII ARMOR. IT WAS A HEAVY INFANTRY OR ASSAULT TANK WITH AN 88 MM. GUN AND PROTECTIVE ARMOR PLATE UP TO 102 MM. (ABOUT 4 INCHES) THICK.

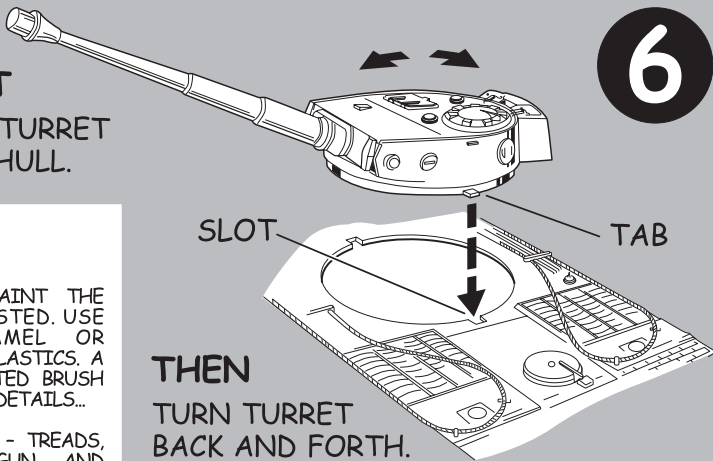
WHILE THIS IS A SNAP TOGETHER KIT AND NEEDS NO CEMENTING, THERE'S NO REASON WHY YOU CAN'T USE CEMENT TO JOIN THE PARTS FOR A STRONGER MODEL.

SnapTite

JUST FOLLOW THE EASY STEPS, YOU DON'T NEED CEMENT ON THIS SNAP-TITE MODEL.

FIRST
PLACE TURRET INTO HULL.

6

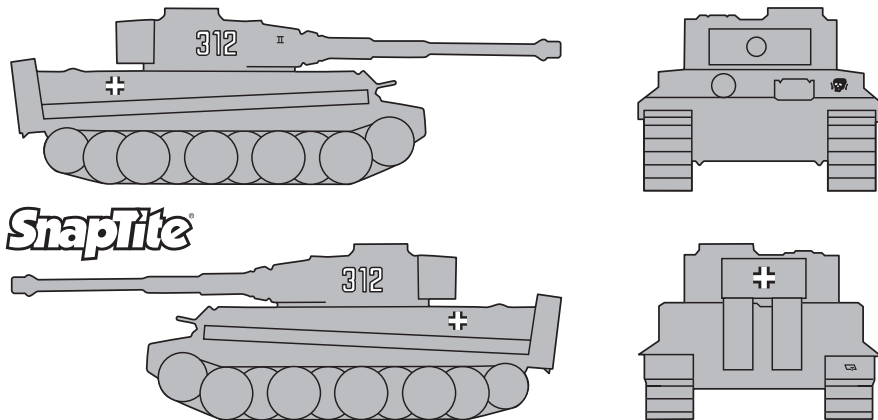


THEN
TURN TURRET BACK AND FORTH.

PAINTING

YOU CAN PAINT THE DETAILS LISTED. USE ONLY ENAMEL OR PAINT FOR PLASTICS. A SMALL POINTED BRUSH IS BEST FOR DETAILS...

FLAT BLACK - TREADS, TIPS OF GUN AND CANNON.



MODEL KIT 1730

GERMAN TIGER I TANK



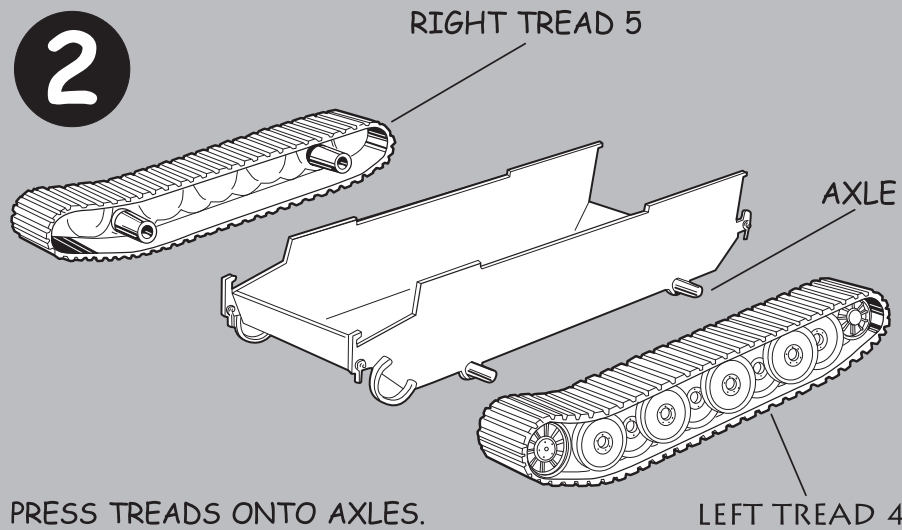
SnapTite

APPLY SELF-STICK DECALS TO MODEL AS SHOWN ON THE BOX TOP.

If you have any questions or comments, call our hotline at: (800) 833-3570 or, please write to:

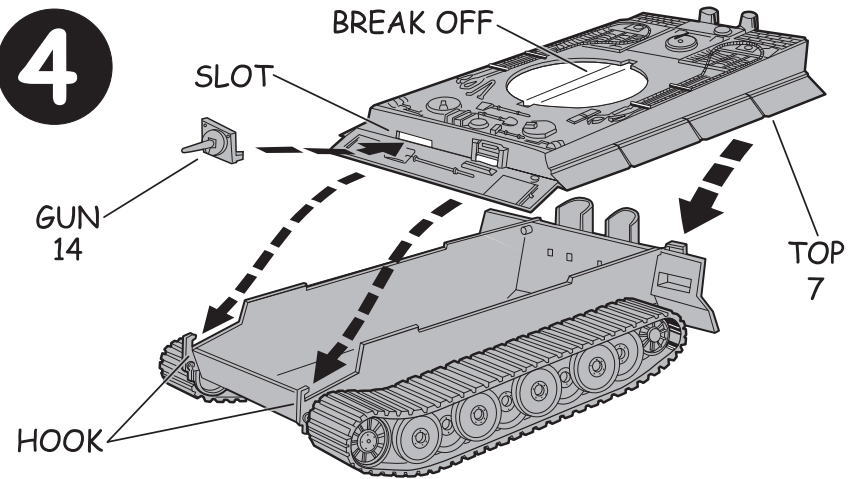
Revell-Monogram Consumer Service Department, 725 Landwehr Road, Northbrook, Illinois 60062
Be sure to include the plan number (85173000200), part number, description, your return address and phone number.
Visit our website: www.revellmonogram.com

2



PRESS TREADS ONTO AXLES.

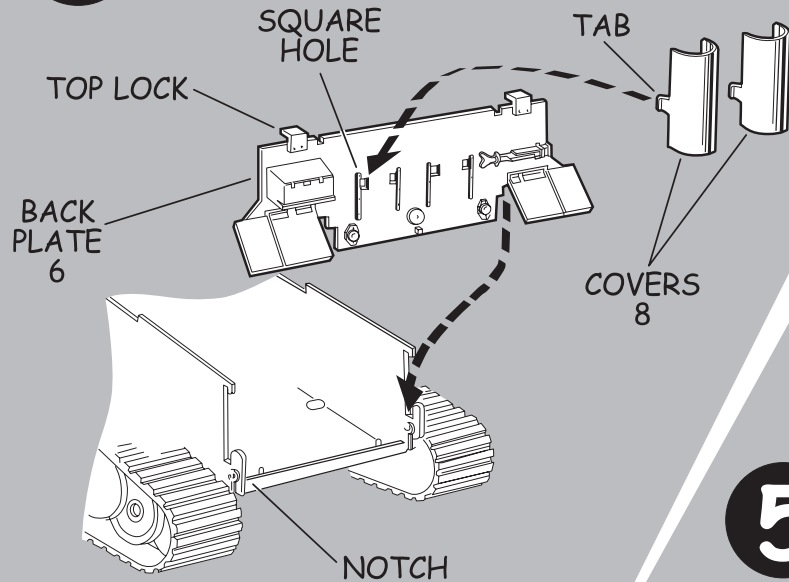
4



SNAP GUN INTO SLOT. PUSH TOP DOWN ONTO HULL.

3

SNAP TWO COVERS INTO BACK PLATE. PUSH BACK PLATE INTO NOTCHES IN HULL. PRESS BLACK PLATE AGAINST END OF HULL.



5

FIRST THEN SNAP PIN ON CANNON INTO HOLE IN TURRET SIDE. PUSH TOP INTO GROOVE IN TURRET SIDE. PRESS OTHER TURRET SIDE INTO PLACE. PRESS TOOL BOX INTO NOTCHES IN TOP.

