

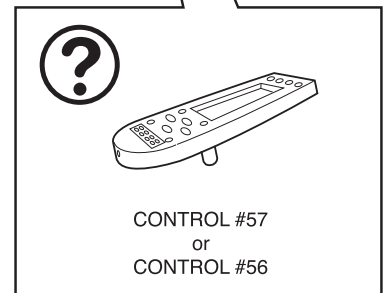
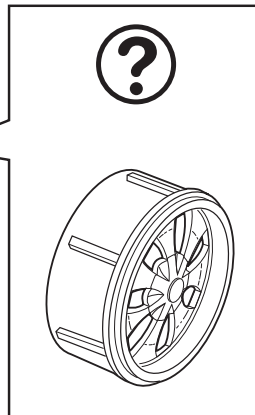
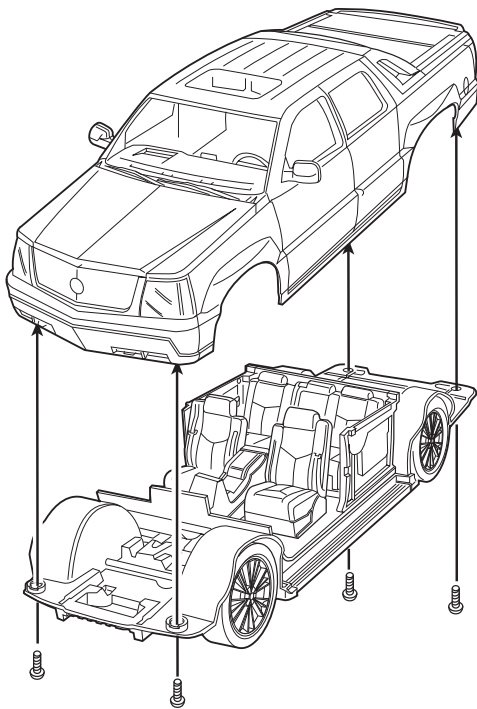
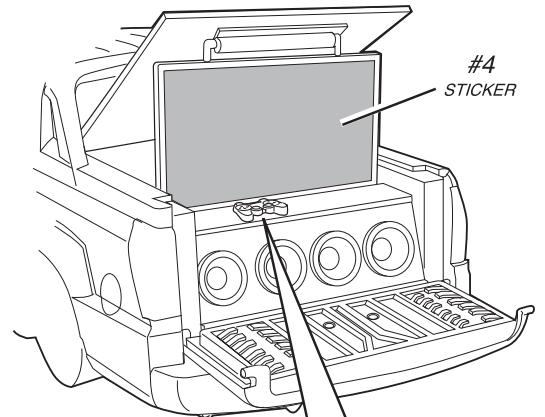
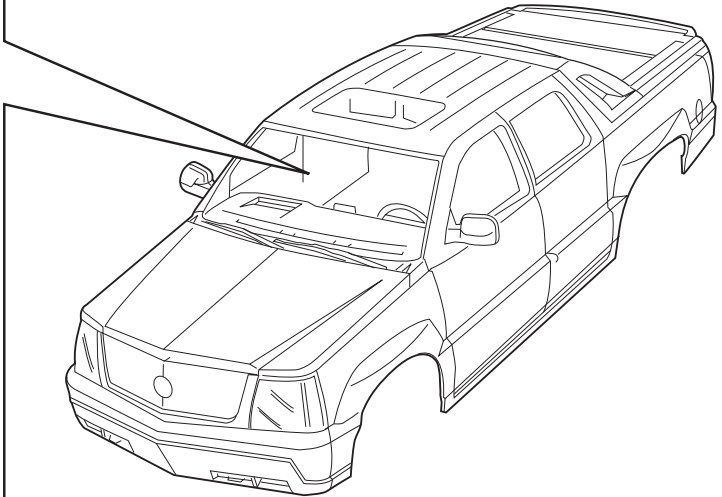
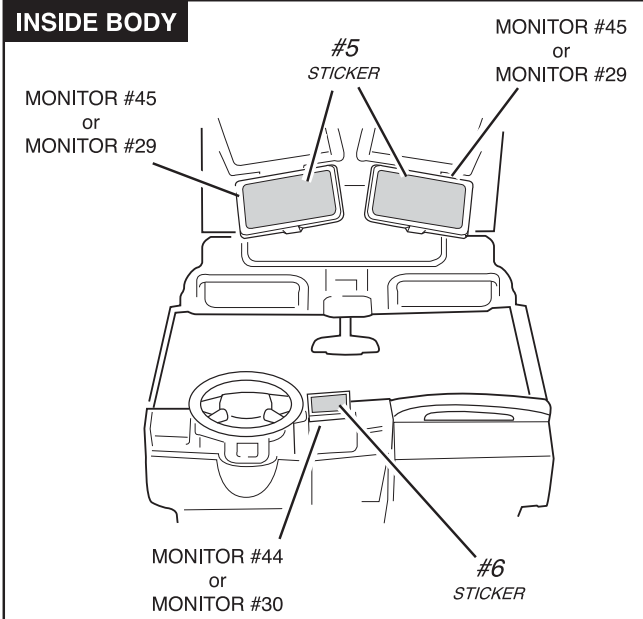


KIT 1428

85142800200

CADILLAC® ESCALADE EXT

ASSEMBLY AND PLACEMENT OF OPTIONAL PARTS AND STICKERS



If you have any questions or comments, call our hotline at: **(800) 833-3570**
or, please write to:

Revell-Monogram Consumer Service Department, 725 Landwehr Road, Northbrook, Illinois 60062
Be sure to include the plan number (85142800200), description, your return address and phone number.

Visit our website: www.revell.com