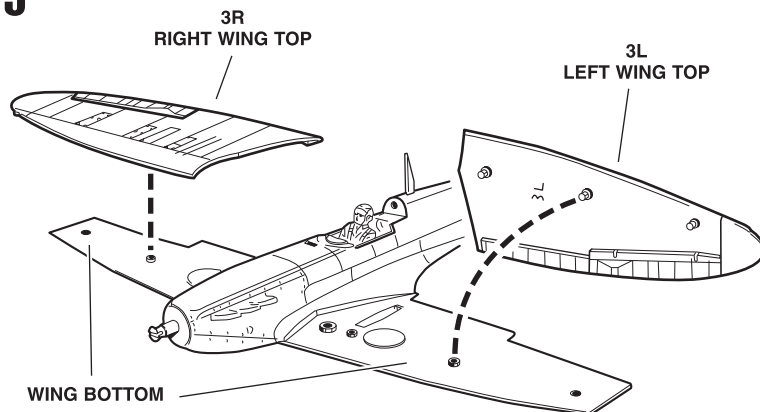
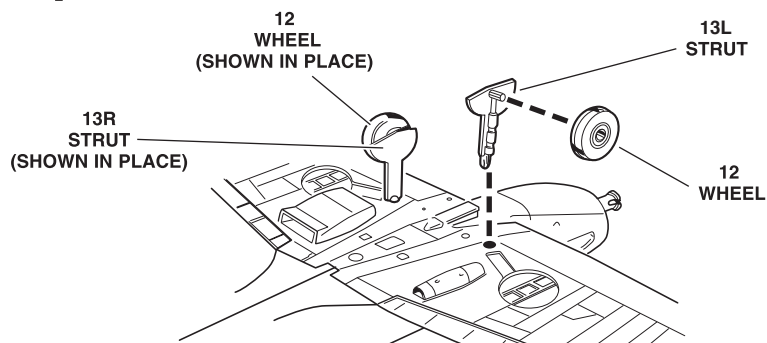


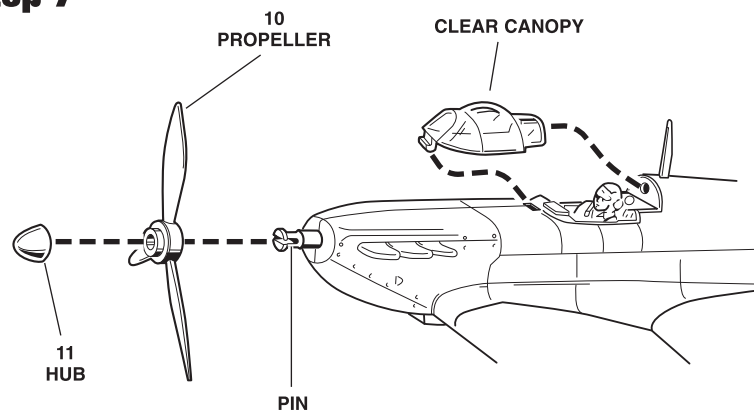
Step 5



Step 6



Step 7

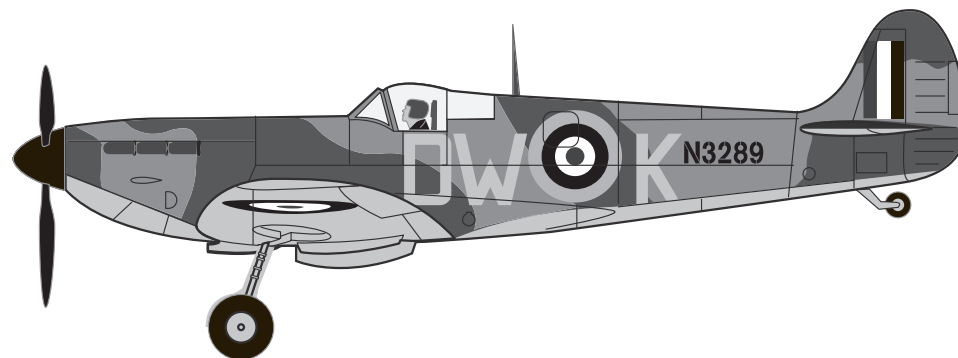


Revell

KIT 1375

85137510200

Spitfire MKII



The Supermarine Spitfire MKII was one of Great Britain's famous fighters during World War II. Its fame was gained during the Battle of Britain. Its unique elliptical wing design and maximum speed was 408 m.p.h. at 25,000 feet made it a fast and nimble aircraft. Your Revell Supermarine Spitfire has factory prepainted parts in authentic WWII colors, (no painting required), a spinning prop, and pilot figure are also included.

READ BEFORE YOU BEGIN

- CLEAR A SPACE TO WORK ON
- STUDY THE ASSEMBLY DRAWINGS BEFORE YOU BEGIN
- EACH PLASTIC PART IS IDENTIFIED BY A PART NUMBER
- THIS KIT MAY BE SNAPPED TOGETHER BUT PARTS MAY BE CEMENTED IF YOU PREFER.
- TRIM TO REMOVE EXTRA PLASTIC AND FILE SMOOTH BEFORE PART ASSEMBLY.

CAUTION:
POSITION ALL PARTS IN THIS KIT CAREFULLY. PARTS WILL ONLY SNAP TOGETHER ONCE.

À LIRE AVANT DE COMMENCER

- DÉGAGEZ UN ESPACE POUR TRAVAILLER.
- ÉTUDIEZ LES ÉTAPES DE MONTAGE AVANT DE COMMENCER.
- CHAQUE PIÈCE EN PLASTIQUE PORTE UN NUMÉRO DE PIÈCE.
- CETTE MAQUETTE L'ASSEMBLAGE PAR SIMPLE PRESSION, MAIS VOUS POUVEZ COLLER LES PIÈCES SI VOUS LE PRÉFÉREZ.
- D'ÉCOUPER POUR ENLEVER LE PLASTIQUE SUPERFLU ET BIEN LIMER AVANT L'ASSEMBLAGE DES PIÈCES

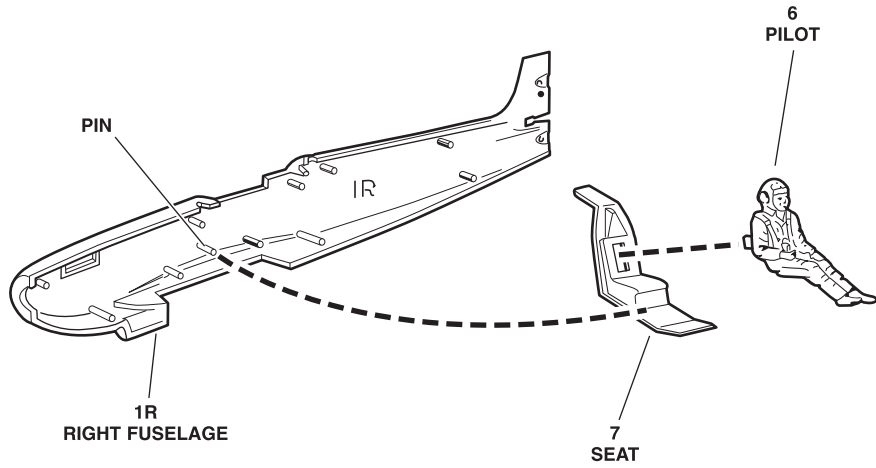
MISE EN GARDE:
POSITIONNEZ AVEC PRÉCAUTION TOUTES LES PIÈCES DE CE MODÈLE RÉDUIT, CAR VOUS NE POUVEZ LES EMBOÏTER QU'UNE SEULE FOIS.

If you have any questions or comments, call our hotline at: **(800) 833-3570** or, please write to:

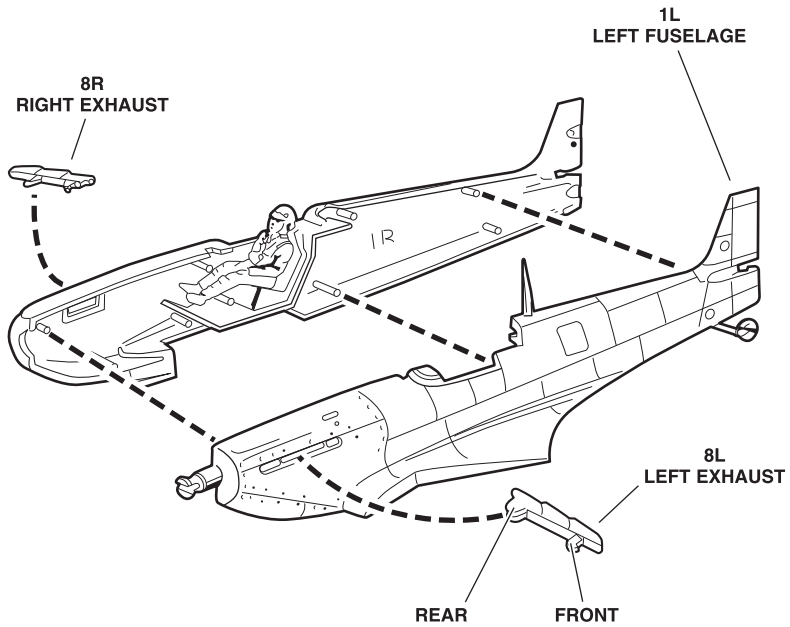
Revell Inc Consumer Service Department, 1850 Howard Street Unit A, Elk Grove Village, Illinois 60007
Be sure to include the plan number (85137510200), part number, description, your return address and phone number.

Visit our website: www.revell.com

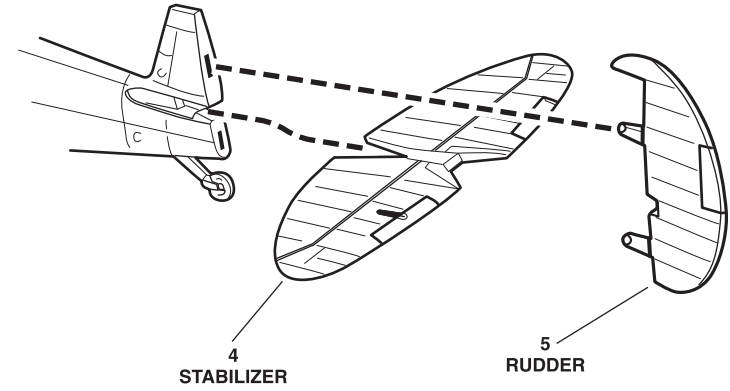
Step 1



Step 2



Step 3



Step 4

