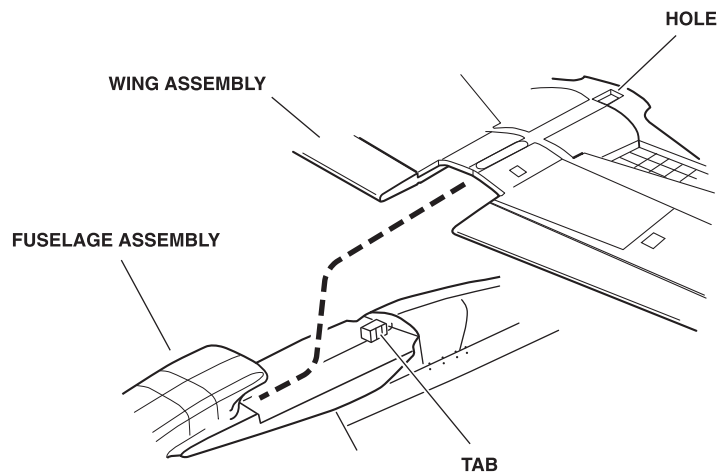
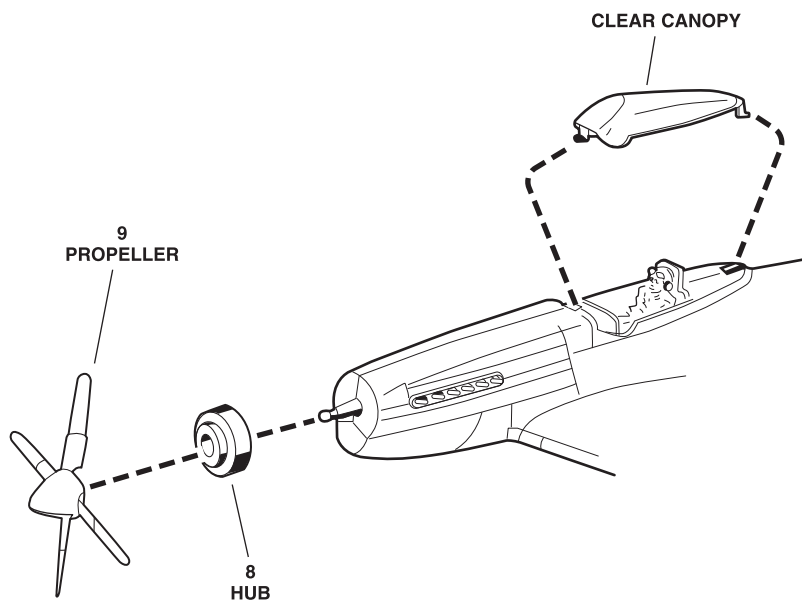


Step 5



Step 6

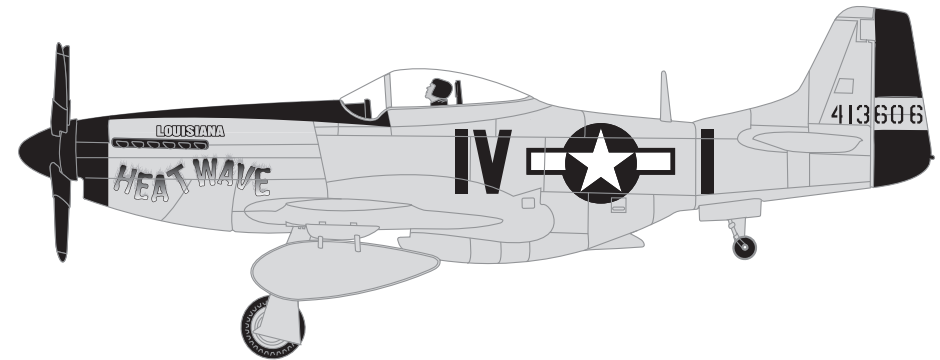


Revell

KIT 1374

85137400200

Mustang P-51



The P-51 Mustang was the most popular and widely produced fighter of world war II. Total production of all models reached over 15,000 aircraft. Powered by a Merlin engine built by the Packard Motor Company, the P-51 had a top speed of 437 MPH. This "D" model has a streamlined bubble canopy which gave the pilot better vision. Two 75 gallon drop tanks provided an extra 175 miles of cruising range. Armament consisted of six .50 cal. machine guns mounted in the wings. Your Revell model P-51 Mustang has factory prepainted parts in authentic colors, (no painting required), a spinning prop, and pilot figure are also included.

READ BEFORE YOU BEGIN

- CLEAR A SPACE TO WORK ON.
- STUDY THE ASSEMBLY DRAWINGS BEFORE YOU BEGIN.
- EACH PLASTIC PART IS IDENTIFIED BY A PART NUMBER.
- THIS KIT MAY BE SNAPPED TOGETHER BUT PARTS MAY BE CEMENTED IF YOU PREFER.
- TRIM TO REMOVE EXTRA PLASTIC AND FILE SMOOTH BEFORE PART ASSEMBLY.

CAUTION:
POSITION ALL PARTS IN THIS KIT CAREFULLY. PARTS WILL ONLY SNAP TOGETHER ONCE.

À LIRE AVANT DE COMMENCER

- DÉGAGEZ UN ESPACE POUR TRAVAILLER.
- ÉTUDIEZ LES ÉTAPES DE MONTAGE AVANT DE COMMENCER.
- CHAQUE PIÈCE EN PLASTIQUE PORTE UN NUMÉRO DE PIÈCE.
- CETTE MAQUETTE L'ASSEMBLAGE PAR SIMPLE PRESSION, MAIS VOUS POUVEZ COLLER LES PIÈCES SI VOUS LE PRÉFÉREZ.
- D'ÉCOUPER POUR ENLEVER LE PLASTIQUE SUPERFLU ET BIEN LIMER AVANT L'ASSEMBLAGE DES PIÈCES

MISE EN GARDE:
POSITIONNEZ AVEC PRÉCAUTION TOUTES LES PIÈCES DE CE MODÈLE RÉDUIT, CAR VOUS NE POUVEZ LES EMBÔTER QU'UNE SEULE FOIS.

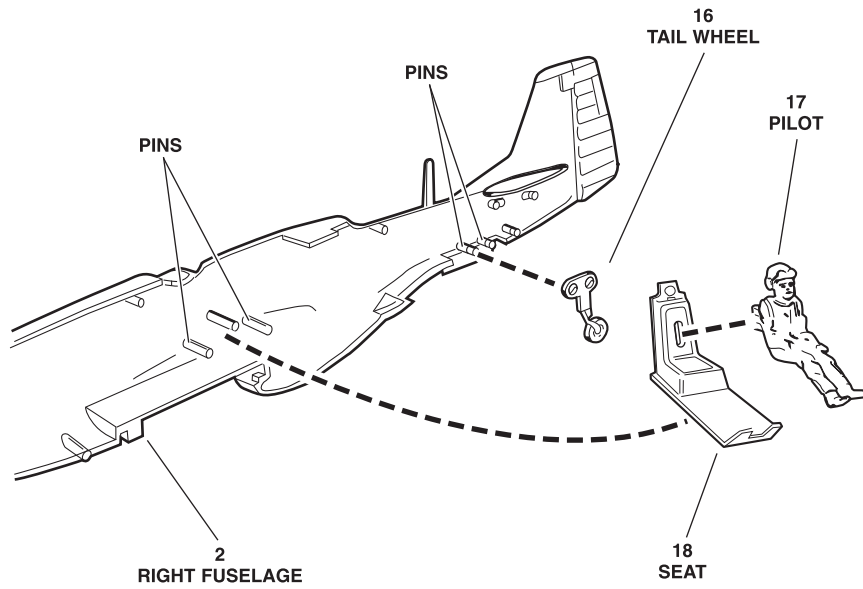
If you have any questions or comments, call our hotline at: **(800) 833-3570**
or, please write to:

Revell Inc Consumer Service Department, 1850 Howard Street Unit A, Elk Grove Village, Illinois, 60007

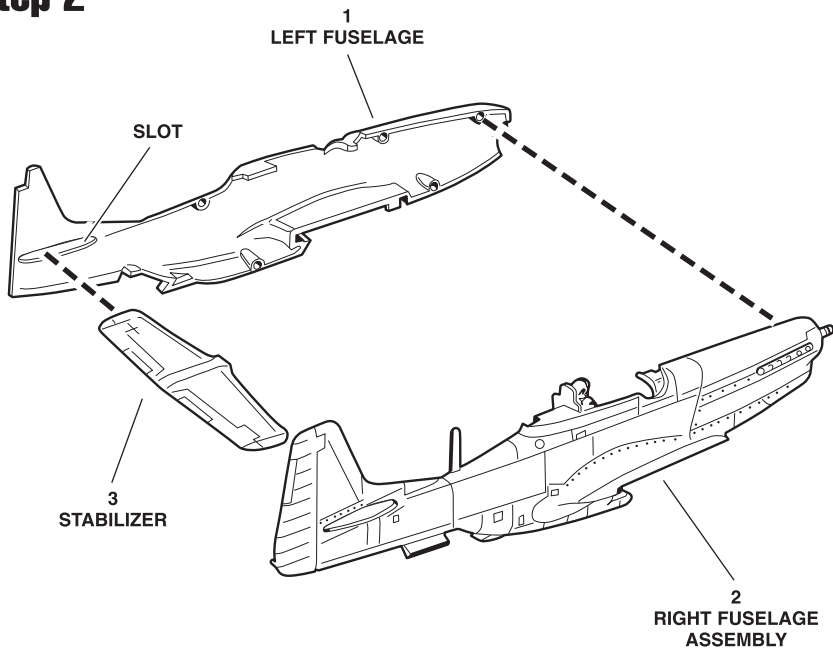
Be sure to include the plan number (85137400200), part number, description, your return address and phone number.

Visit our website: www.revell.com

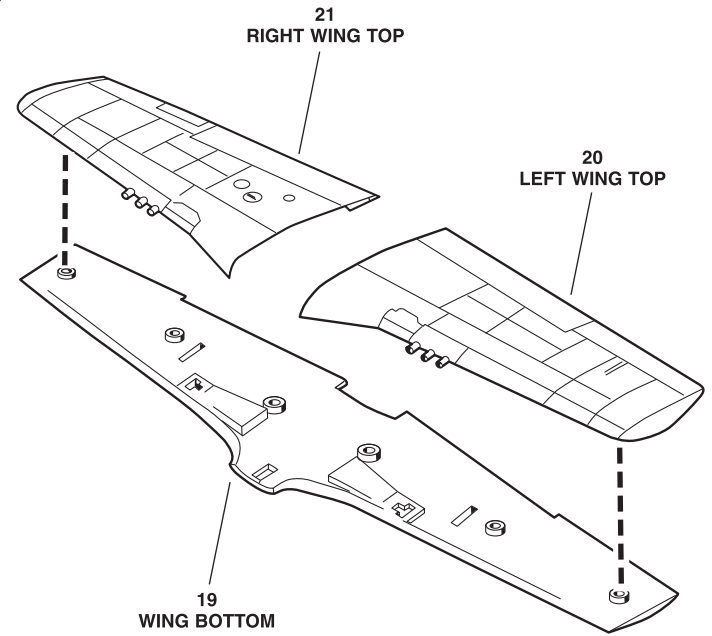
Step 1



Step 2



Step 3



Step 4

NOTE: REPEAT ASSEMBLY FOR OTHE SIDE.

