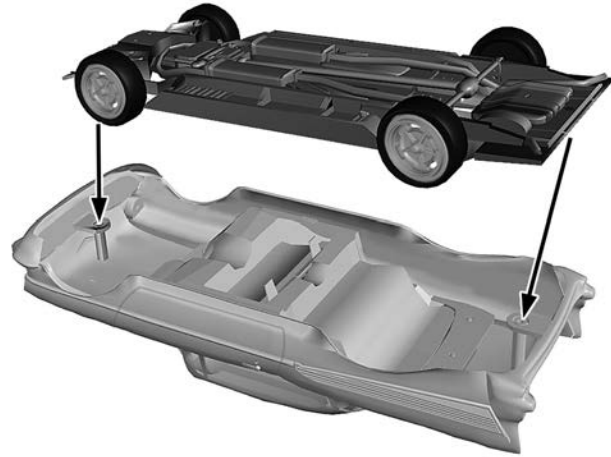
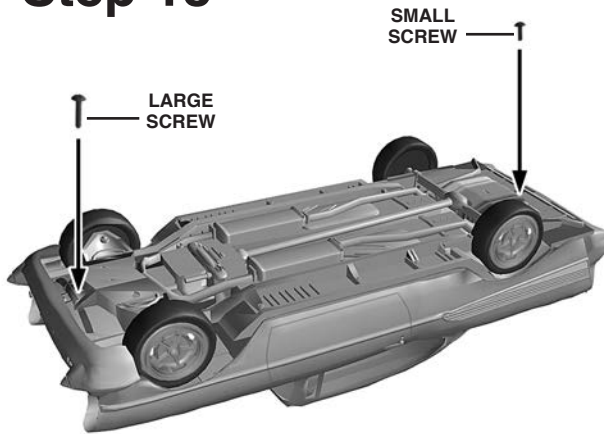


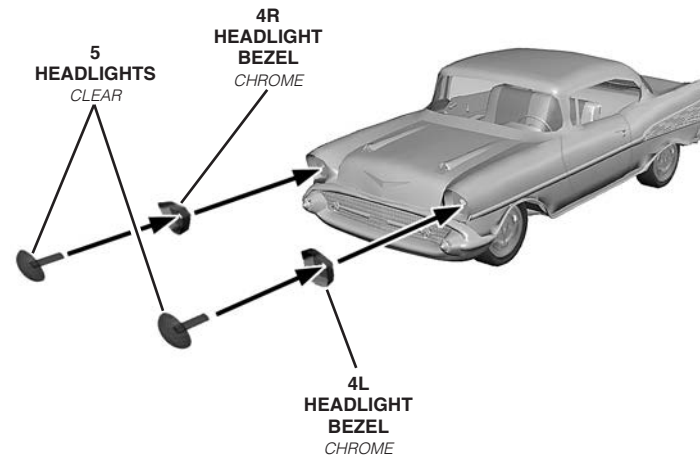
## Step 12



## Step 13



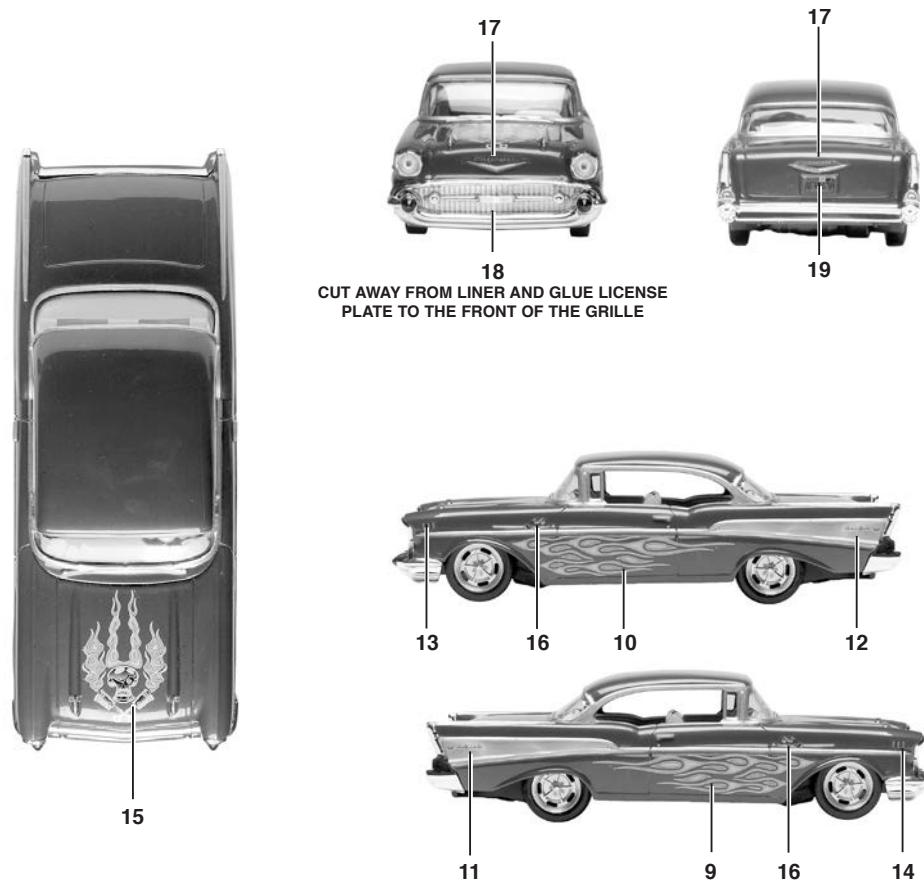
## Step 14



ANY UNUSED PARTS MAY BE DISCARDED

## Step 15

### Sticker Placement Guide



CUT AWAY FROM LINER AND GLUE LICENSE PLATE TO THE FRONT OF THE GRILLE

ANY UNUSED STICKERS MAY BE DISCARDED

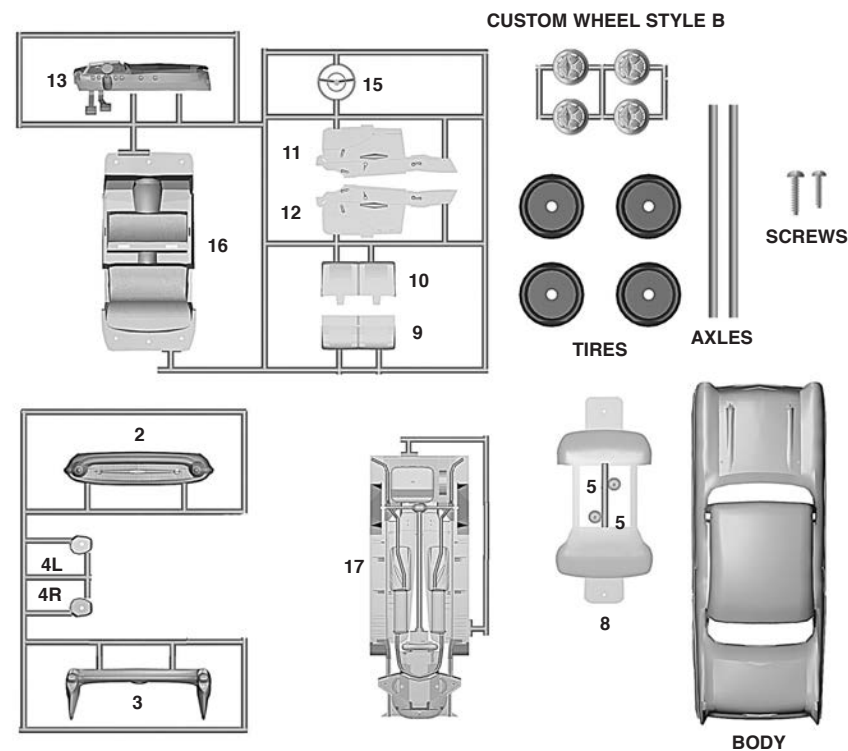
#### NOTE:

When applying stickers, avoid touching the "sticky" side to prevent finger prints on stickers. Bend sticker sheet slightly to lift edge of sticker & use a fingernail to lift sticker from sheet. Line up sticker on body and press an edge into place, slowly working sticker with a fingernail until sticker is fully on model.

#### REMARQUE :

Pendant l'application des autocollants, éviter de toucher à la face collante pour ne pas laisser d'empreintes. Plier légèrement la feuille d'autocollants pour relever le bord d'un autocollant, et le détacher de la feuille avec le bout d'un ongle. Aligner l'autocollant sur la carrosserie, appuyer pour coller un de ses bords, et continuer de l'appliquer lentement du bout de l'ongle jusqu'à ce qu'il soit complètement collé sur le modèle réduit.

### Parts Included



# Revell

KIT 1931

85193110200

## '57 Chevy® Bel Air® Easy Kit

The 1957 Chevrolet® is one of the most popular and widely recognized cars in history, and a true American classic. The '57 Bel Air® two door hardtop is one of the most desirable of the many 1957 Chevy® body styles, especially if it is equipped with a factory fuel-injected V-8 engine. The legendary Chevrolet small block V-8 grew to 283 cubic inches for 1957, and the fuel-injected versions were among the first American engines to generate one horsepower per cubic inch of engine displacement. With it's great looks and easily hot rodded V-8 engine, the 1957 Bel Air was, and still is, a hot rodder's and customizer's dream come true. Your Revell kit features easy snap and screw together assembly, chrome plated parts, a factory stock or custom lowered ride height option, and colorful stick-on decal graphics. Enjoy building your kit of this All-American automotive classic!



\* REMOVE AND THROW AWAY  
\* A RETIRER ET JETER



\* OPTIONAL PARTS  
\* PIÈCES EN OPTION



\* REPEAT SEVERAL TIMES  
\* A REPETER PLUSIEURS FOIS



\* APPLY STICKERS  
\* APPLIQUEZ LES AUTO-COLLANTS

#### READ BEFORE YOU BEGIN

- CLEAR A SPACE TO WORK ON
- STUDY THE ASSEMBLY DRAWINGS BEFORE YOU BEGIN
- EACH PLASTIC PART IS IDENTIFIED BY A PART NUMBER
- DO NOT OVER TIGHTEN SCREWS
- SEE NOTE ABOUT APPLYING STICKERS IN STEP #15

#### CAUTION:

POSITION ALL PARTS IN THIS KIT CAREFULLY. PARTS WILL ONLY SNAP TOGETHER ONCE.

#### À LIRE AVANT DE COMMENCER

- DÉGAGEZ UN ESPACE POUR TRAVAILLER.
- ÉTUDIEZ LES ÉTAPES DE MONTAGE AVANT DE COMMENCER.
- CHAQUE PIÈCE EN PLASTIQUE PORTE UN NUMÉRO DE PIÈCE.
- NE SERREZ PAS TROP LES VIS.
- LISEZ LA RE MARQUE CONCERNANT L'APPLICATION DES AUTO COLLANTS, À L'ÉTAPE 15.

#### MISE EN GARDE:

POSITIONNEZ AVEC PRÉCAUTION TOUTES LES PIÈCES DE CE MODÈLE RÉDUIT, CAR VOUS NE POUVEZ LES EMBOÏTER QU'UNE SEULE FOIS.

If you have any questions or comments, call our hotline at: **(800) 833-3570** or, please write to:

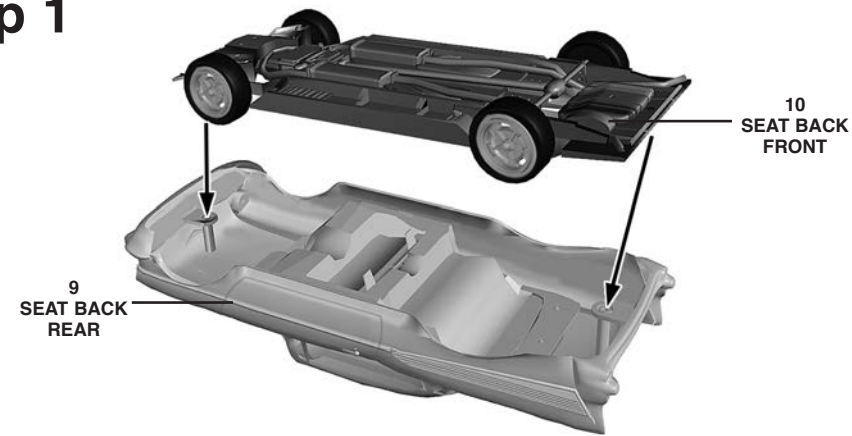
Revell Inc Consumer Service Department, 1850 Howard Street Unit A,  
Elk Grove Village, Illinois 60007

Be sure to include the plan number (85193110200), part number, description,  
your return address and phone number.

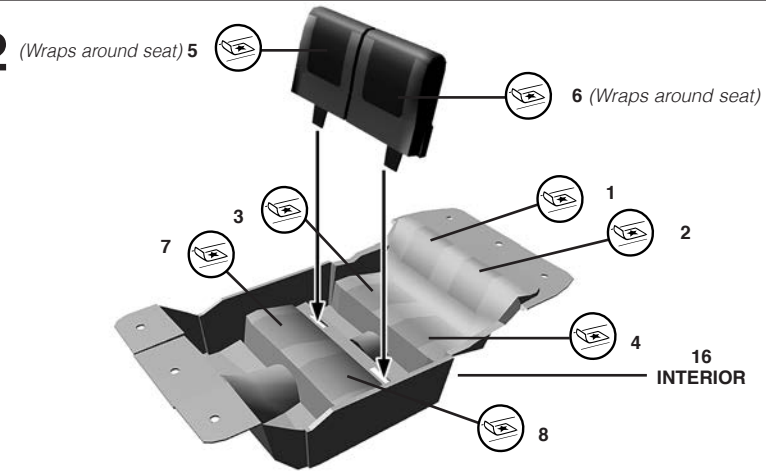
Visit our website: [www.revell.com](http://www.revell.com)

Revell Inc, Elk Grove Village, IL. Copyright © 2009. All rights reserved.

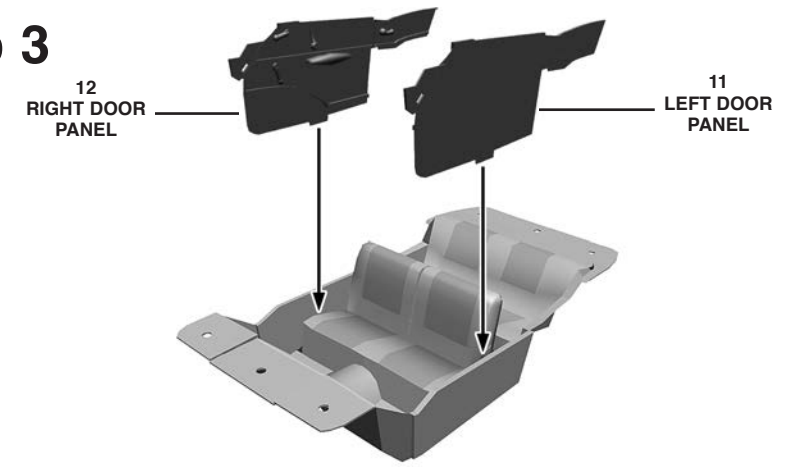
### Step 1



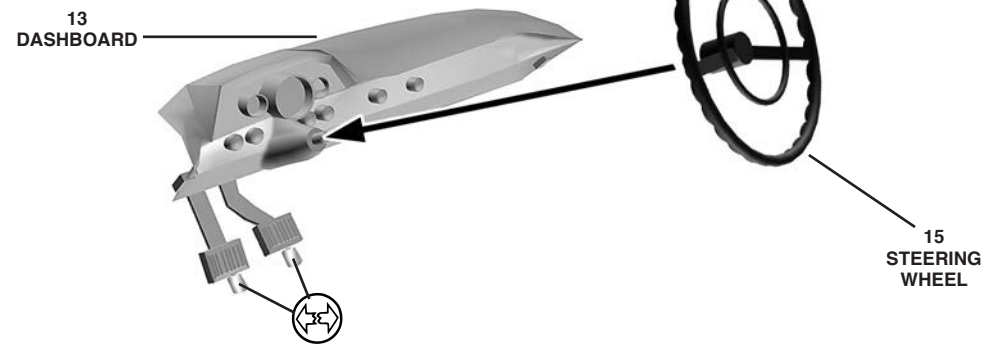
### Step 2



### Step 3



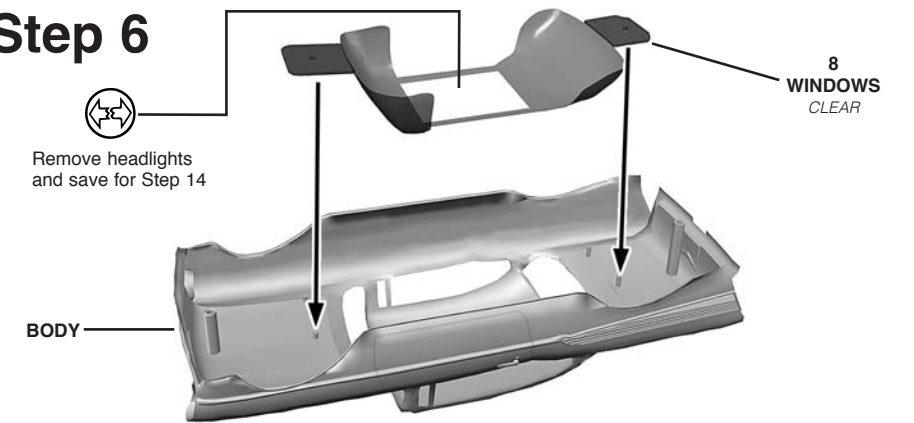
### Step 4



### Step 5



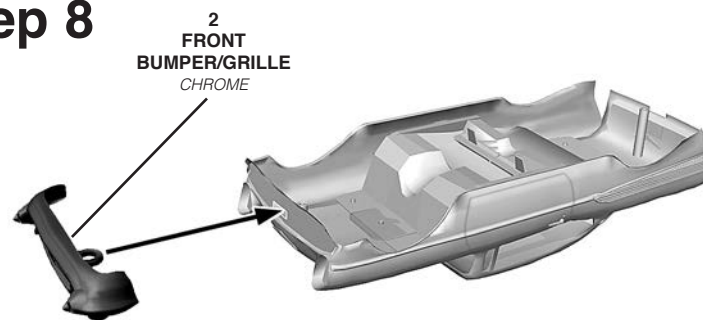
### Step 6



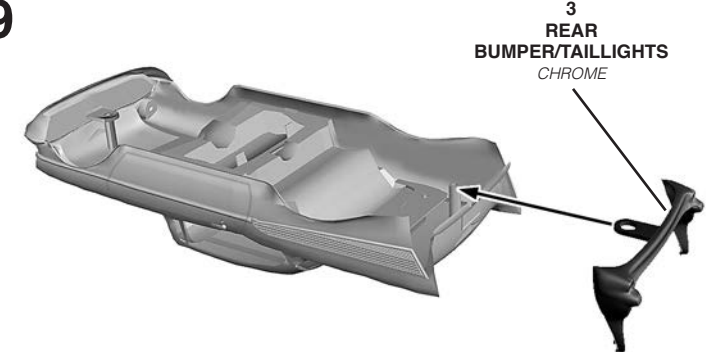
### Step 7



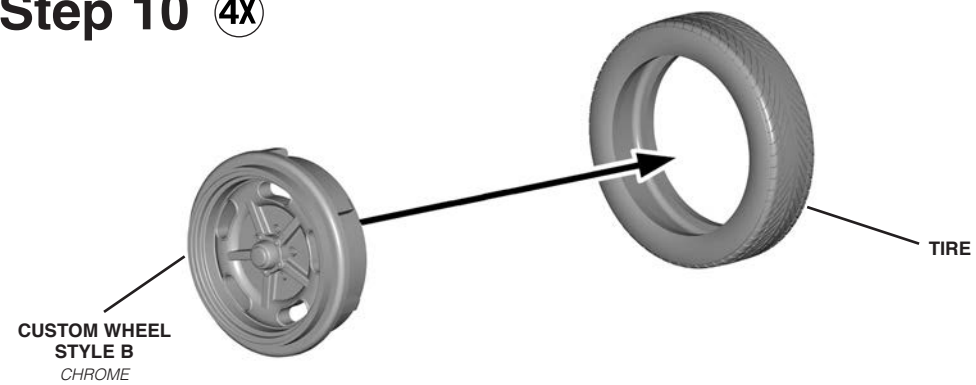
### Step 8



### Step 9



### Step 10 (4X)



### Step 11

