

Revell

KIT 1187

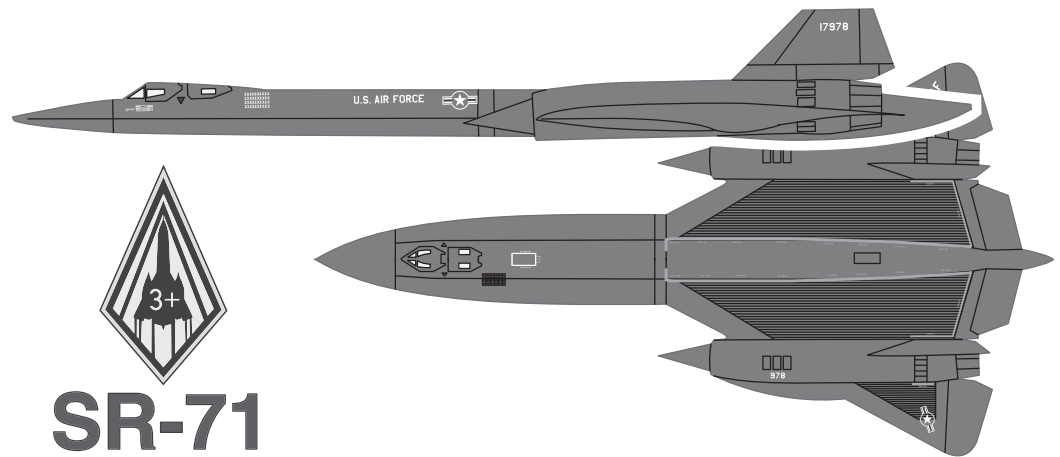
85118710200

SR-71 BLACKBIRD™

The most spectacular aircraft in the world today is, without a doubt, the SR-71 Blackbird. Holder of the world's absolute speed and altitude records, 2,193 miles per hour at 85,069 feet, the SR-71 is the most advanced strategic reconnaissance vehicle ever designed. The Blackbird is a product of the famous "Skunk Works", the Lockheed® Advanced Development Projects Group. It is the latest development in a series of reconnaissance and fighter aircraft initiated with the A-12 and F-12 designs of the early sixties.

The SR-71 design configuration is a modified, tailless delta with a blended forward wing called a chine. The chine acts as a fixed canard to produce lift and decrease drag at cruising speed. The wing panels are noteworthy for their corrugated surfaces which not only add strength and stability to the wing, but help dissipate heat as well. The vertical stabilizers are all-moving surfaces which are two and a half times more effective than conventional rudders.

The Blackbird is operated by a crew of two, a pilot and a reconnaissance systems officer. The RSO operates the aircraft's extensive array of electronic and optical sensors and its passive and active electronic warfare systems. Power is provided by two Pratt and Whitney JT11D-20 engines whose military designation is J-58.



SR-71



* REPEAT SEVERAL TIMES
* A REPETER PLUSIEURS FOIS



* REMOVE AND THROW AWAY
* A RETIRER ET JETER



* APPLY STICKERS
*APPLIQUEZ LES AUTO-COLLANTS



* TRIM
*D'ECOUPER



* OPTIONAL PARTS
* PIECES EN OPTION

READ BEFORE YOU BEGIN

- CLEAR A SPACE TO WORK ON.
- STUDY THE ASSEMBLY DRAWINGS BEFORE YOU BEGIN.
- EACH PLASTIC PART IS IDENTIFIED BY A PART NUMBER.
- THIS KIT MAY BE SNAPPED TOGETHER BUT PARTS MAY BE CEMENTED IF YOU PREFER.
- TRIM TO REMOVE EXTRA PLASTIC AND FILE SMOOTH BEFORE PART ASSEMBLY.

CAUTION:
POSITION ALL PARTS IN THIS KIT CAREFULLY.
PARTS WILL ONLY SNAP TOGETHER ONCE.

À LIRE AVANT DE COMMENCER

- DÉGAGEZ UN ESPACE POUR TRAVAILLER.
- ÉTUDIEZ LES ÉTAPES DE MONTAGE AVANT DE COMMENCER.
- CHAQUE PIÈCE EN PLASTIQUE PORTE UN NUMÉRO DE PIÈCE.
- CETTE MAQUETTE L'ASSEMBLAGE PAR SIMPLE PRESSION, MAIS VOUS POUVEZ COLLER LES PIÈCES SI VOUS LE PREFEREZ.
- D'ECOUPER POUR ENLEVER LE PLASTIQUE SUPERFLU ET BIEN LIMER DES PIÈCES AVANT L'ASSEMBLAG

MISE EN GARDE:
POSITIONNEZ AVEC PRÉCAUTION TOUTES LES PIÈCES DE CE MODÈLE RÉDUIT, CAR VOUS NE POUVEZ LES EMBOÎTER QU'UNE SEULE FOIS.

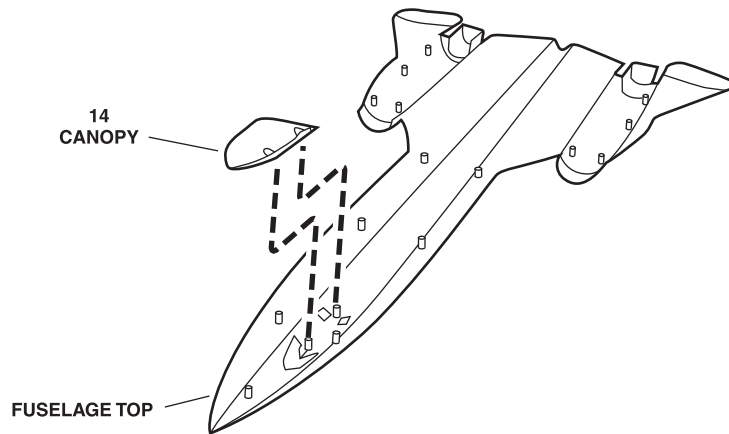
If you have any questions or comments, call our hotline at: **(800) 833-3570**
or, please write to:

Revell Inc Consumer Service Department, 1850 Howard Street Unit A, Elk Grove Village, Illinois 60007

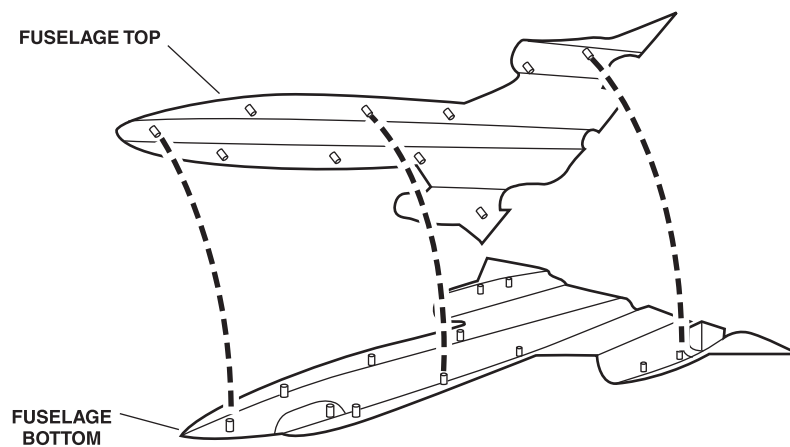
Be sure to include the plan number (85118710200), part number, description, your return address and phone number.

Visit our website: www.revell.com

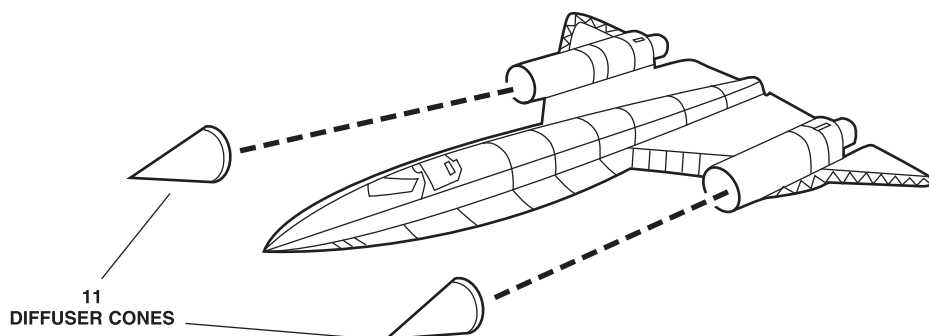
Step 1



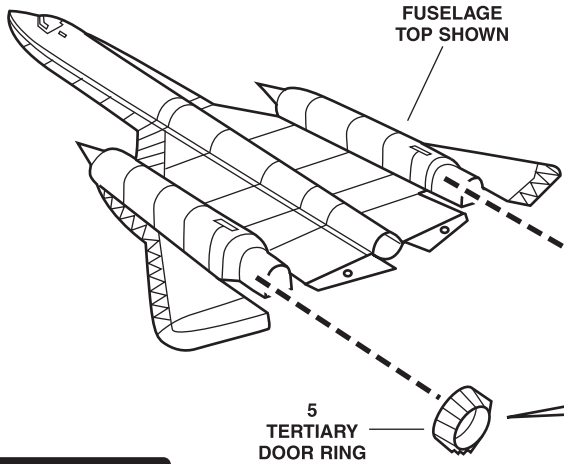
Step 2



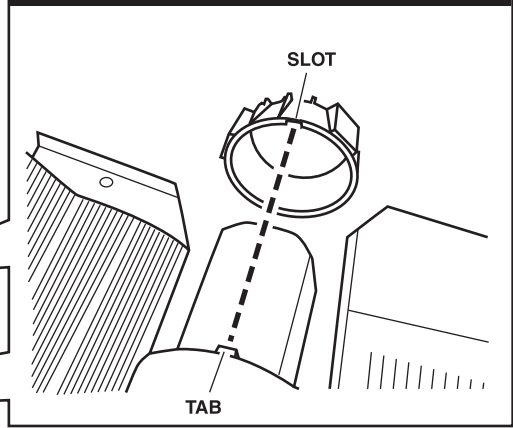
Step 3



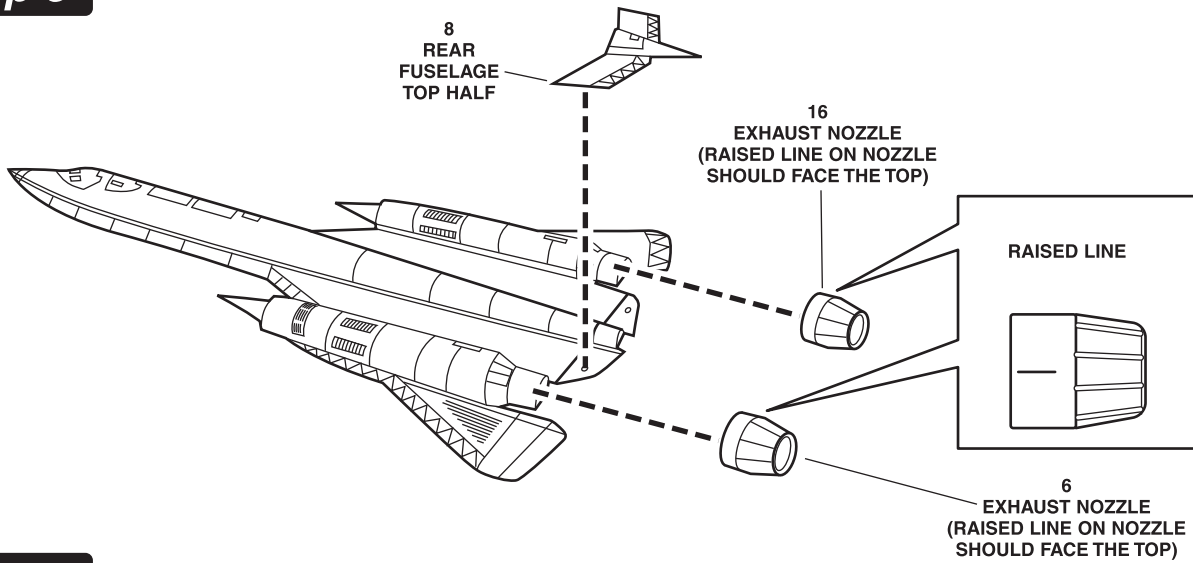
Step 4



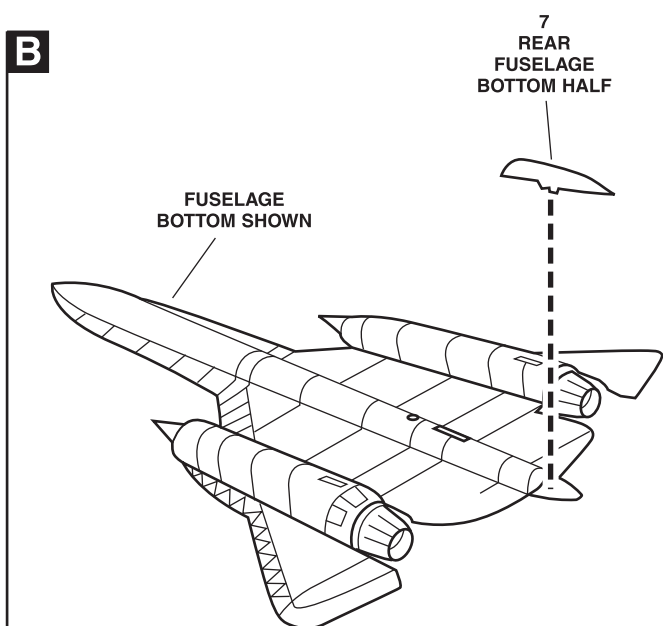
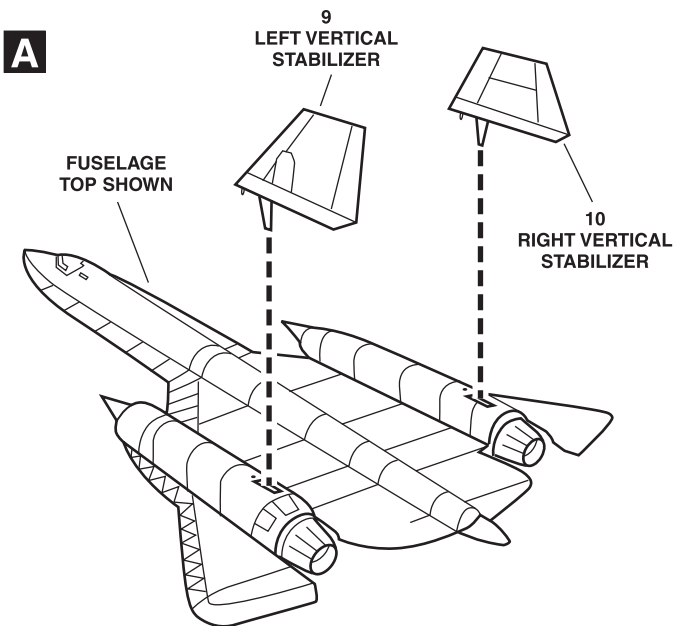
NOTE: LINE UP TAB ON FUSELAGE TO THE SLOT ON THE TERTIARY DOOR RING



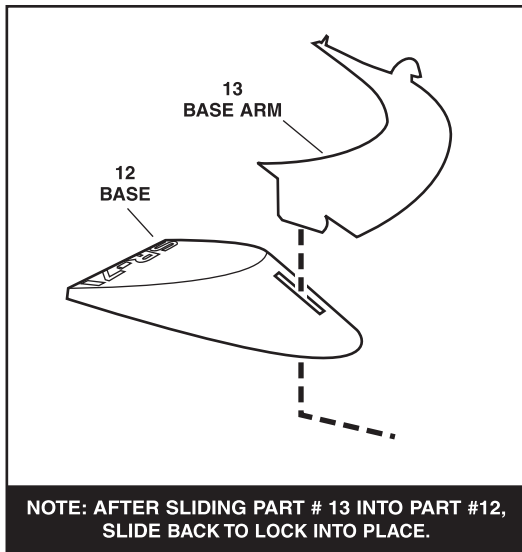
Step 5



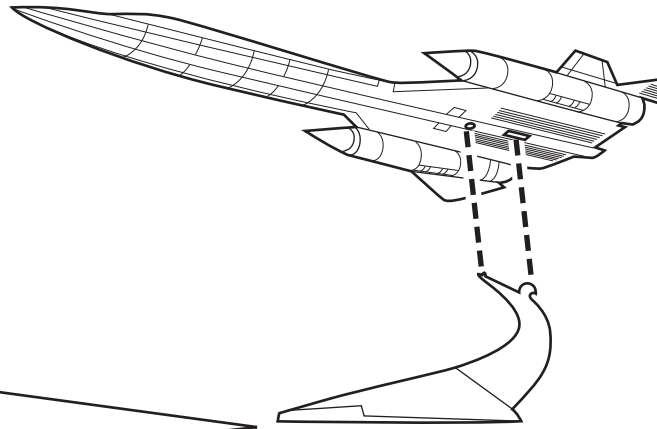
Step 6



Step 7

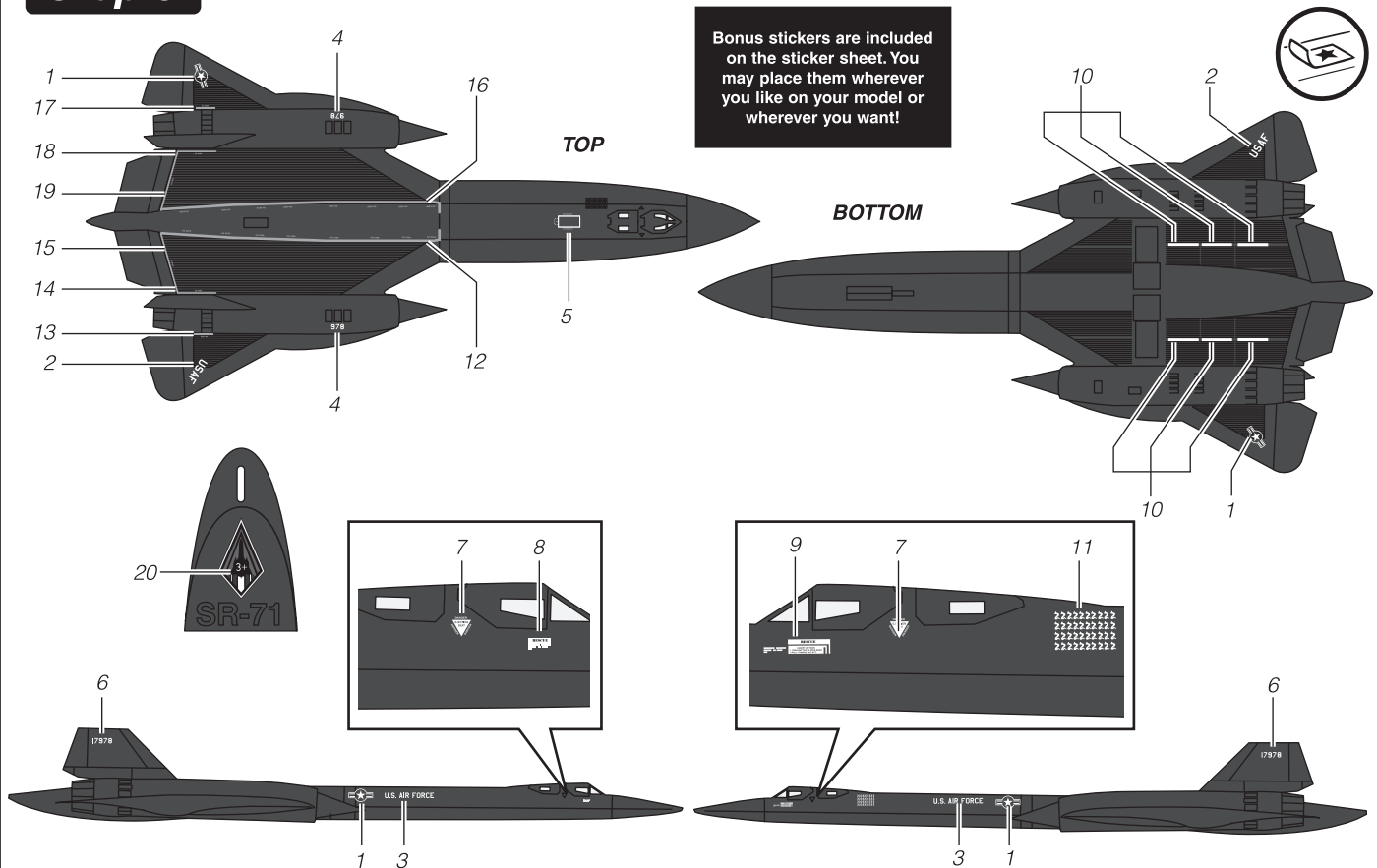


NOTE: AFTER SLIDING PART # 13 INTO PART #12, SLIDE BACK TO LOCK INTO PLACE.



NOTE: INSERT REAR HOOK INTO SLOT FIRST.

Step 8



NOTE: When applying stickers, avoid touching the "sticky" side to prevent finger prints on stickers. Bend sticker sheet slightly to lift edge of sticker & use a finger nail to lift sticker from sheet. Line up sticker on body and press an edge into place, slowly working sticker with a finger nail until sticker is fully on model.

REMARQUE : Pendant l'application des autocollants, éviter de toucher à la face collante pour ne pas laisser d'empreintes. Plier légèrement la feuille d'autocollants pour relever le bord d'un autocollant, et le détacher de la feuille avec le bout d'un ongle. Aligner l'autocollant sur la carrosserie, appuyer pour coller un de ses bords, et continuer de l'appliquer lentement du bout de l'ongle jusqu'à ce qu'il soit complètement collé sur le modèle réduit.