

Revell

William Shakespeare CUTTY SARK

KIT 0399
REVELL, INC. Des Plaines, IL
 Copyright © 1987 All rights reserved
 Made in U.S.A.

0399-200

Your kit contains all the parts required to enable you to assemble it as it would appear in port with yards lowered and sails stowed or as under way with full blown sails. **YOU MUST DECIDE WHICH VERSION YOU WISH TO BUILD BEFORE BEGINNING TO**

ASSEMBLE YOUR KIT.
 The major differences are in the location of the yards on the masts and in the amount of rigging lines required.

1/96 Scale

FOR BEST RESULTS, READ THIS FIRST

1. Since this kit is molded of styrene plastic, use only Revell cement. Do not let cement touch your eyes, furniture or clothing.
2. Apply cement sparingly. Excess cement may run and damage the details on your model.
3. Carefully trim any excess plastic from parts before assembling. This will result in parts fitting together perfectly, and also enable moving parts to move freely.
4. All parts are numbered for easy identification, or the numbers are engraved on the runner next to the Part. Carefully remove each Part from runner only when that part is to be used.
5. Carefully follow the written instructions in each assembly step. "L" indicates left side, "R" indicates right side.
6. The color indicated next to Part No. is the color the part is molded in. This will help you find parts more easily.
7. Paint all the parts where indicated and allow to dry before assembling. All colors are flagged as shown: **white.**
8. Directions for applying decals are on the back of the Decal sheet.
9. Carefully follow these numbered steps, for ease in building your model.
10. Tools and materials recommended for the easiest assembly of this model are as follows:

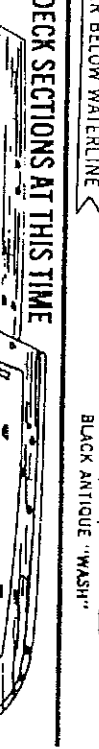
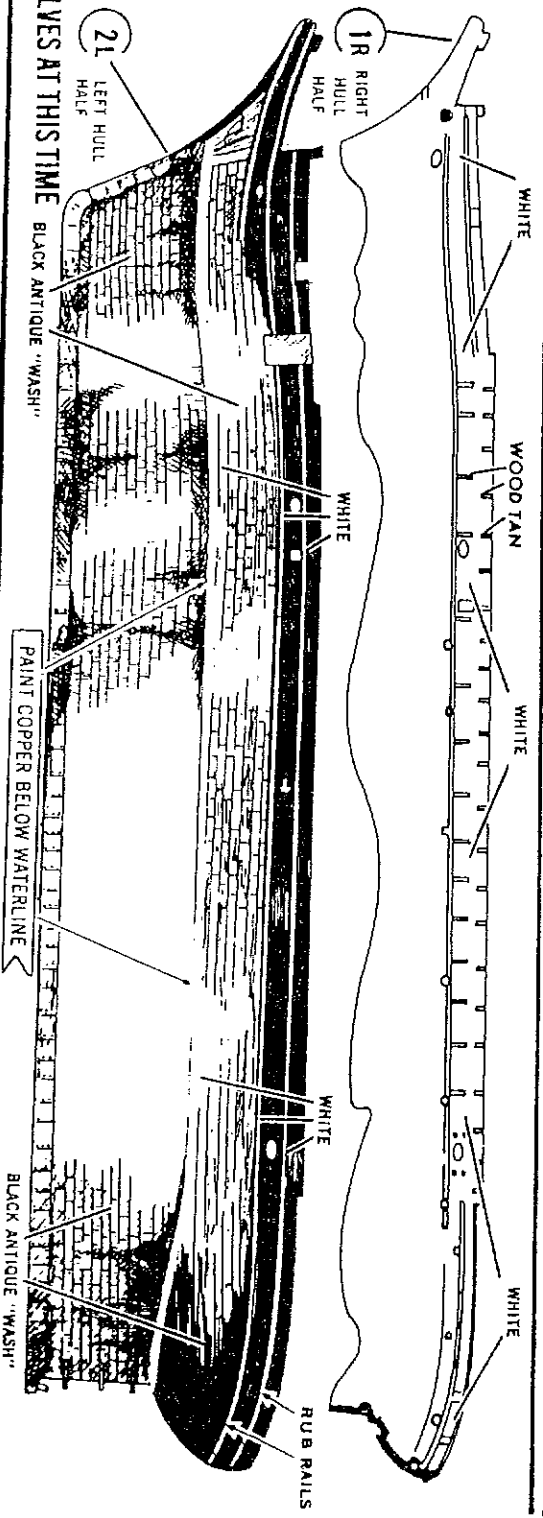
- | | |
|-------------------------------|----------------------------|
| MODEL BUILDERS KNIFE & BLADES | scraping & trimming |
| SMALL FILES | finishing & fitting |
| FINE SANDPAPER & STEEL WOOL | finishing & fitting |
| BEE SWAX | rigging |
| SMALL PAINT BRUSHES | painting & cement assembly |
| TWEEZERS | rigging |
| SCISSORS | rigging |
| DRILL 1/32 Dia. | cleaning holes & rigging |
| CLOTHES PINS | clamping |
| MASKING TAPE | holding & painting |
| TURPENTINE | cleanup & antiquing |

HULL PAINTING

PAINT ALL DETAILS AS SHOWN AND LET DRY BEFORE ASSEMBLING.

To obtain the maximum in appearance for your model follow these suggestions for painting the hull halves. Apply masking tape to the hull sides above the water line (the top row of engraved plates) and paint the bottom copper. Paint the interior above the molded horizontal rib white. Paint the exterior rib rails as indicated white. Paint the water line (top row of copper plates) white.

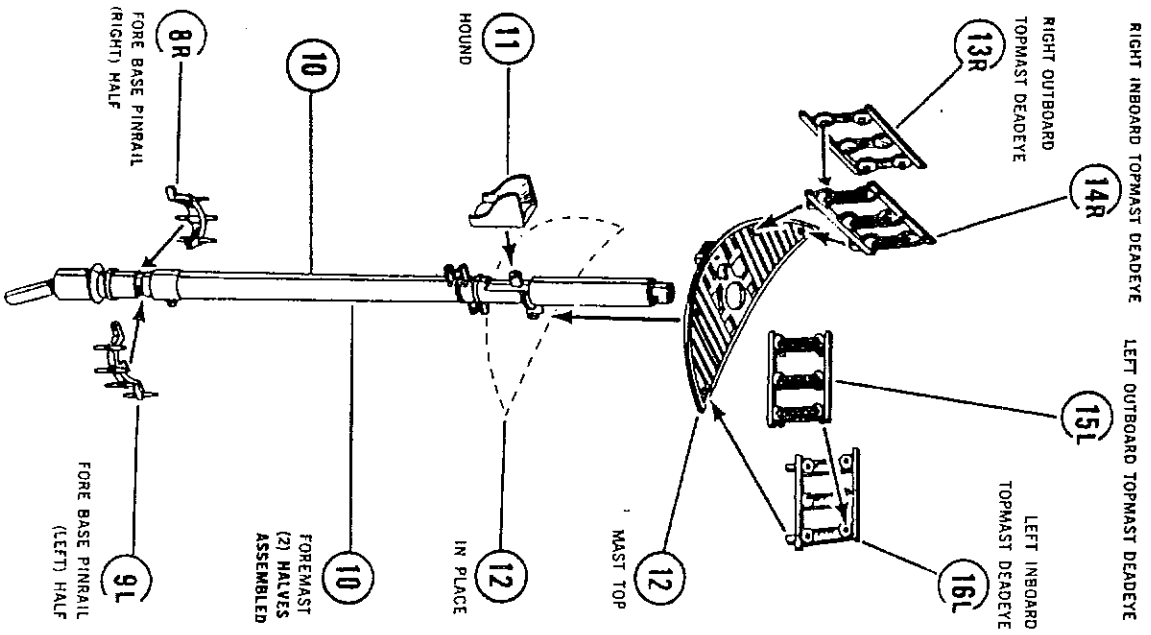
If you wish to antique the hull use leaf green and white enamel thinned with turpentine. Use tissue to stroke each paint downward towards keel to create a "Corroded" look. Apply colors at random and blend. Doing the entire hull half at the same time. Allow both sides to dry thoroughly. Then make a thin wash of black enamel and turpentine and lightly dab the exterior. Allow hull sides to dry completely before assembly. **DO NOT ASSEMBLE HULL HALVES AT THIS TIME**



DO NOT ASSEMBLE DECK SECTIONS AT THIS TIME

PAINTING DECK PARTS
 Apply a thin coat of black enamel to Parts 4, 6, & 7. Allow to dry overnight! Then apply a thin coat of wood tan over the black. Allow this to dry thoroughly. Then sand lightly with 600 grit wet or dry sandpaper until black shows. Cement Part 3 to 4, and Part 5 to 6.

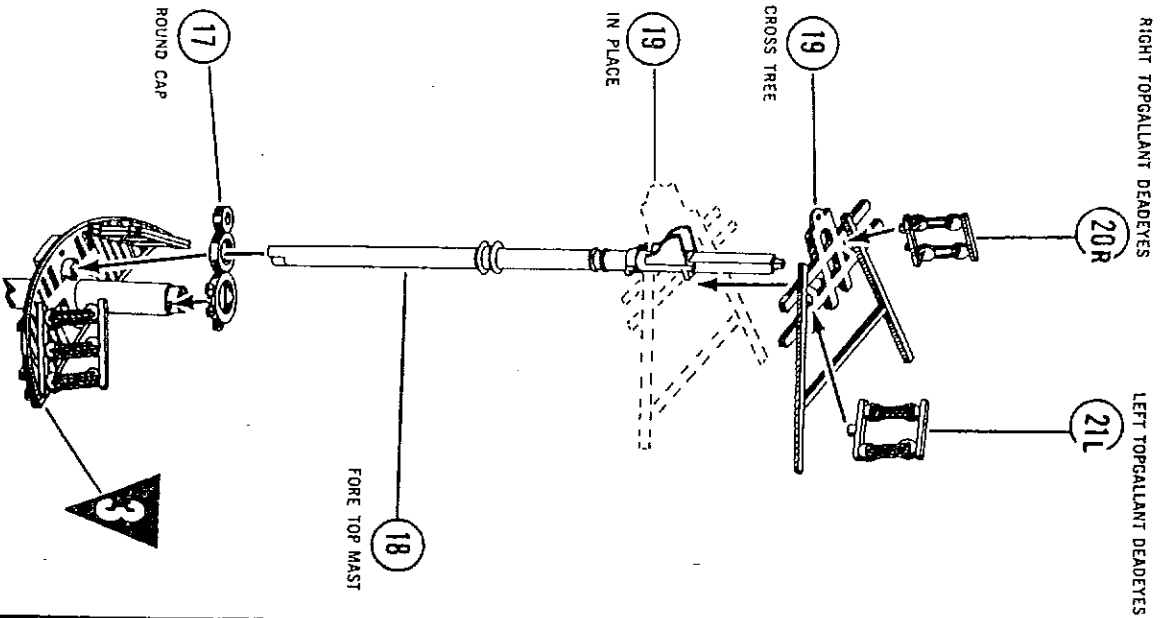
FOREMAST



Cement 8R and 9L to 10. Next cement 11 to 10. Slide part 12 down onto 10 and position properly, as shown in place then apply cement. Cement 13R to 14R, then cement to 12. In the same way cement 15L to 16L, then cement into place.

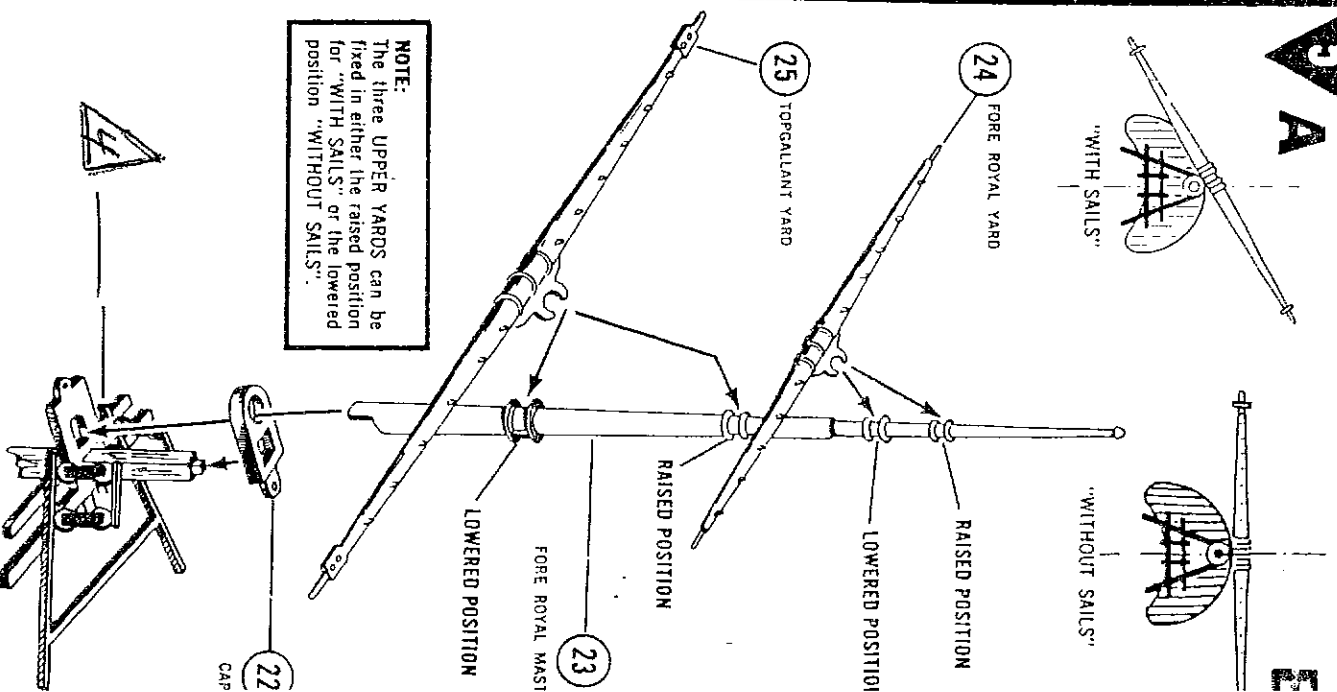
NOTE: CEMENT (2) PARTS 10 TOGETHER, AS SHOWN

FORE TOPMAST



Cement 17 onto Assembly 3. Next slide 18 through 17 and down into hole in Assembly 3, then cement. Now slide 19 onto 18 and position properly, as shown IN PLACE, then apply cement. Finally cement 20R and 21L into 19.

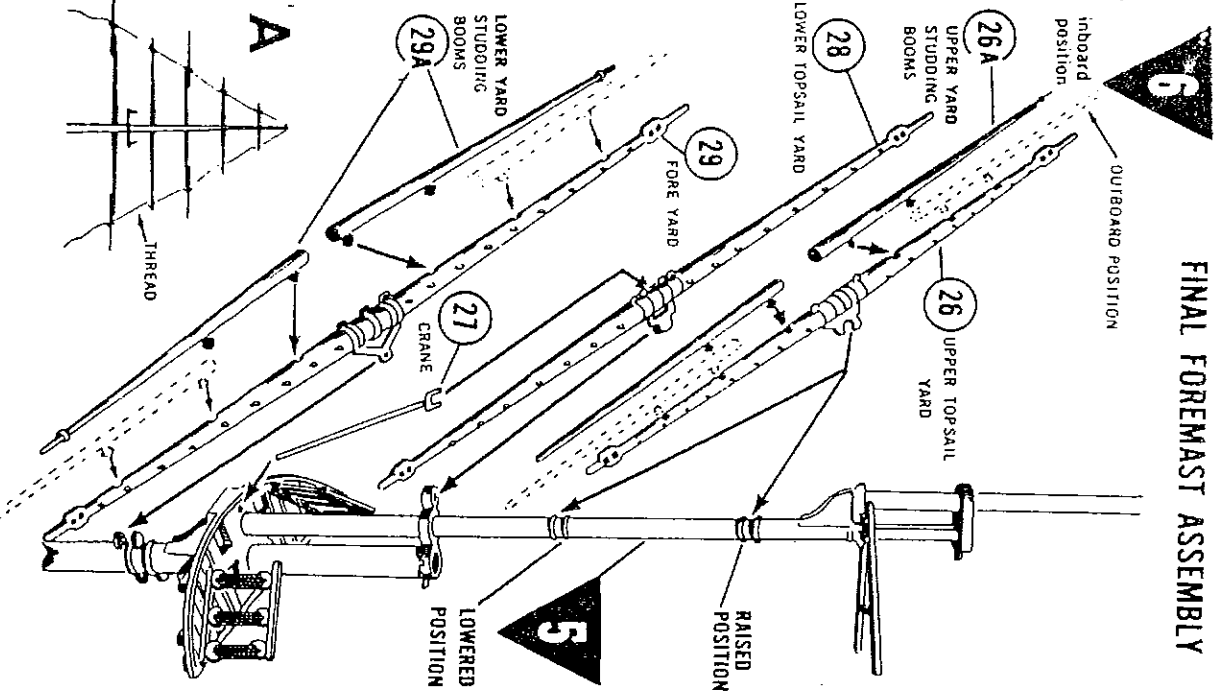
FORE ROYALMAST



NOTE:
The three UPPER YARDS can be fixed in either the raised position for "WITH SAILS" or the lowered position "WITHOUT SAILS".

Cement 22 to Assembly 4, as shown. Now slide through 22 and cement to hole in Assembly 4. Cement 24 and 25 onto 23. (All YARDS will be cemented at the same angle, see small DRAWINGS A and B). DO NOT USE PARTS 25 A (TOPGALLANT STUDDING SAIL YARDS) until Step 14 of RUNNING RIGGING.

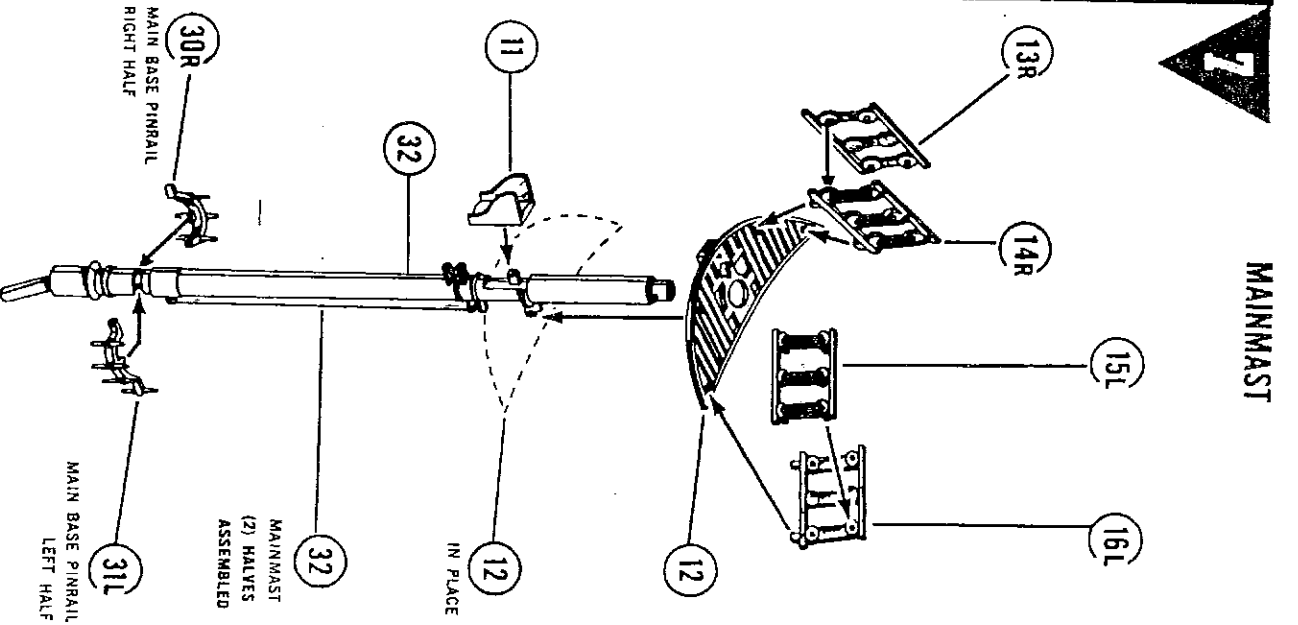
FINAL FOREMAST ASSEMBLY



Cement (2) Parts 26A to 26 at the inboard position for without SAILS, at the outboard position for with SAILS. Cement 26 into place on Assembly 5. Now cement 27 into place. Cement 28 on to YARDS at the same angle as the TOP YARDS. Finally cement (2) Parts 29A to 29 in the same positions as 26A and cement 29 on to MAST STUDDING SAIL YARDS) until RUNNING RIGGING.

We suggest that you lay the MAST ASSEMBLY flat on the table and position all YARDS so they are spaced the same distance apart at both ends, as shown in small DRAWING A. When all YARDS are aligned, use a piece of THREAD to hold them in position until cement has set, then remove THREAD when Assembly is dry.

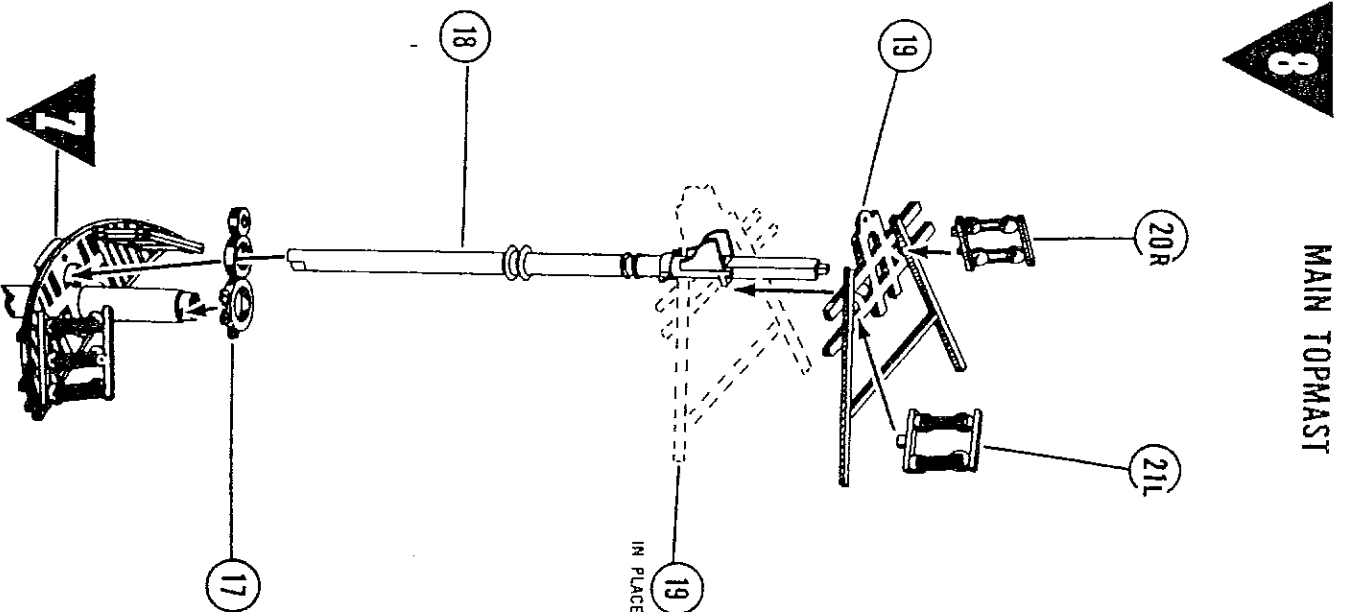
MAINMAST



Cement parts 30R and 31L to 32. Next cement remaining part 11 to 32. Now slide remaining part 12 down onto 32, as shown, in place. When positioned properly, apply cement. Cement 13R to 14R then cement into place. Cement 15L to 16L, then into place.

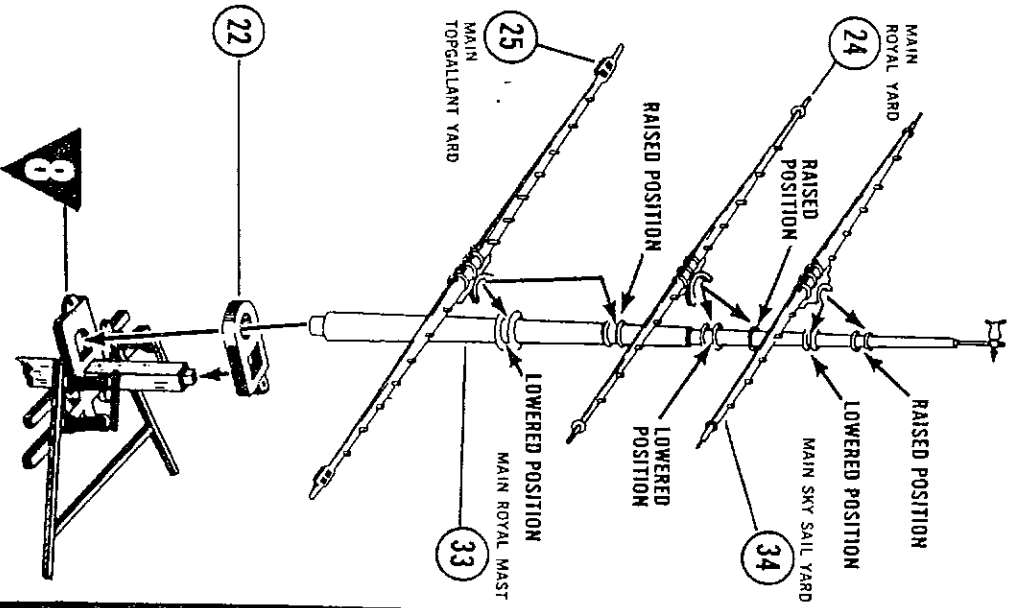
NOTE: CEMENT (2) PARTS 32 TOGETHER, AS SHOWN

MAIN TOPMAST



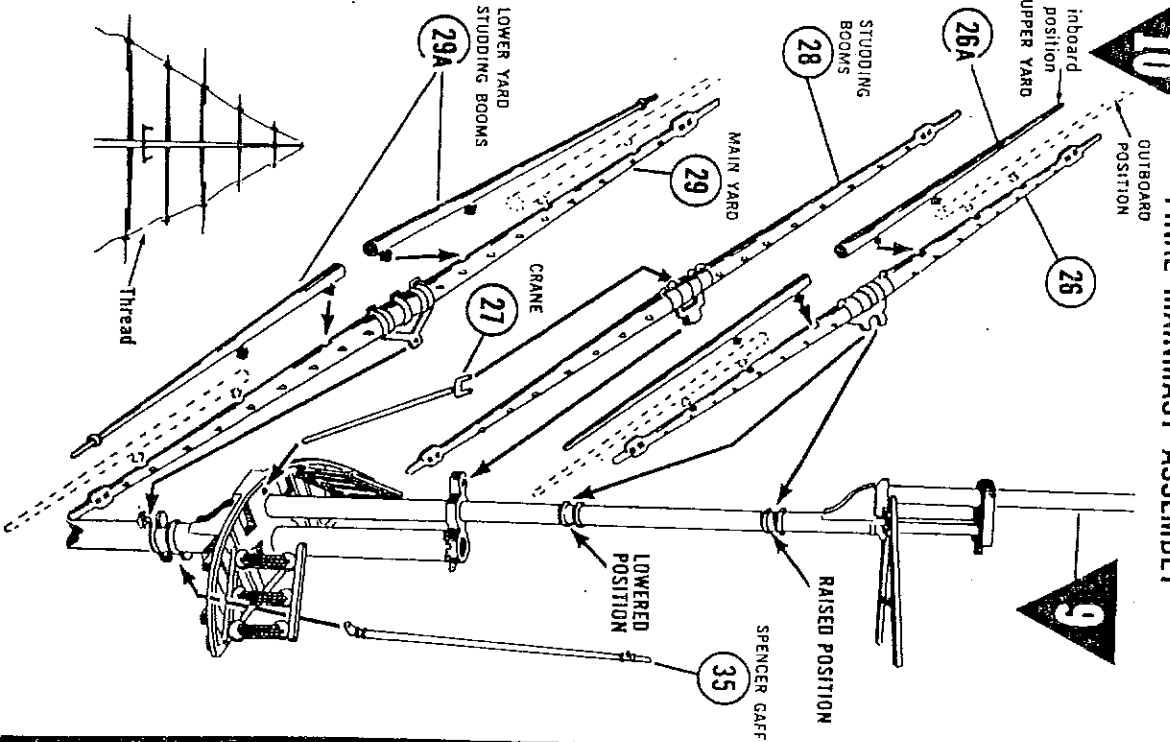
Cement remaining part 17 into Assembly 7. Slide 18 down through 17 and cement into hole in Assembly 7. Now slide 19 down into position and cement. Finally cement 20R and 21L into place.

9 MAIN ROYALMAST



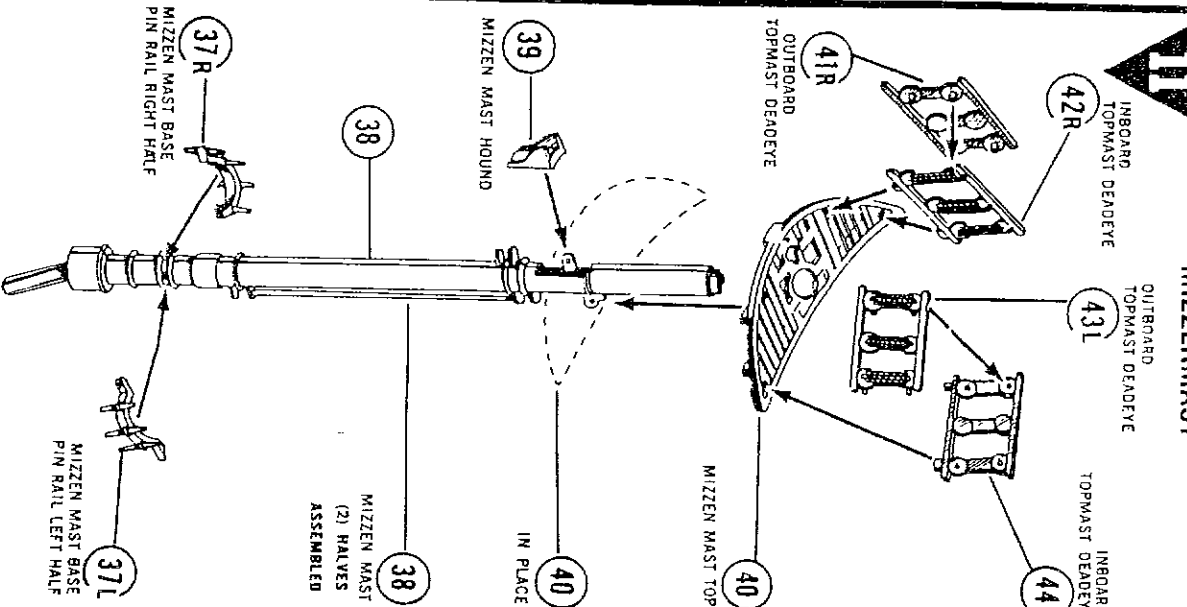
Cement 22 onto Assembly 8. Slide 33 through 22 and down into hole in Assembly 8. When positioned properly, apply cement. Starting at the TOP cement 34, 24 and 25 onto 33 at the same angle as for mast yards. Set aside Parts 25A (Topgallant Stud ding Sail Yards) until the installation of Running Rigging.

10 FINAL MAINMAST ASSEMBLY



Cement (2) Parts 26A to 26 at the inboard position for without SAILS, at the outboard position for with SAILS. Cement 26 into place on Assembly 9. Now Cement Part 27 to MAST TOP. Cement 28 onto Assembly 9 and make sure to locate pins on Part 27 into holes in 28. Set YARDS at the same position as TOP YARDS. Finally cement (2) Parts 29A to 29 in the same position as 26A and cement 29 to Assembly 9 at the proper angle. Parts 28A (TOP MAST STUDDING SAIL YARDS) are not used until RUNNING RIGGING. Align YARDS in the same way as in Step 6. Do not cement 35 into position until Running Rigging.

11 MIZZENMAST

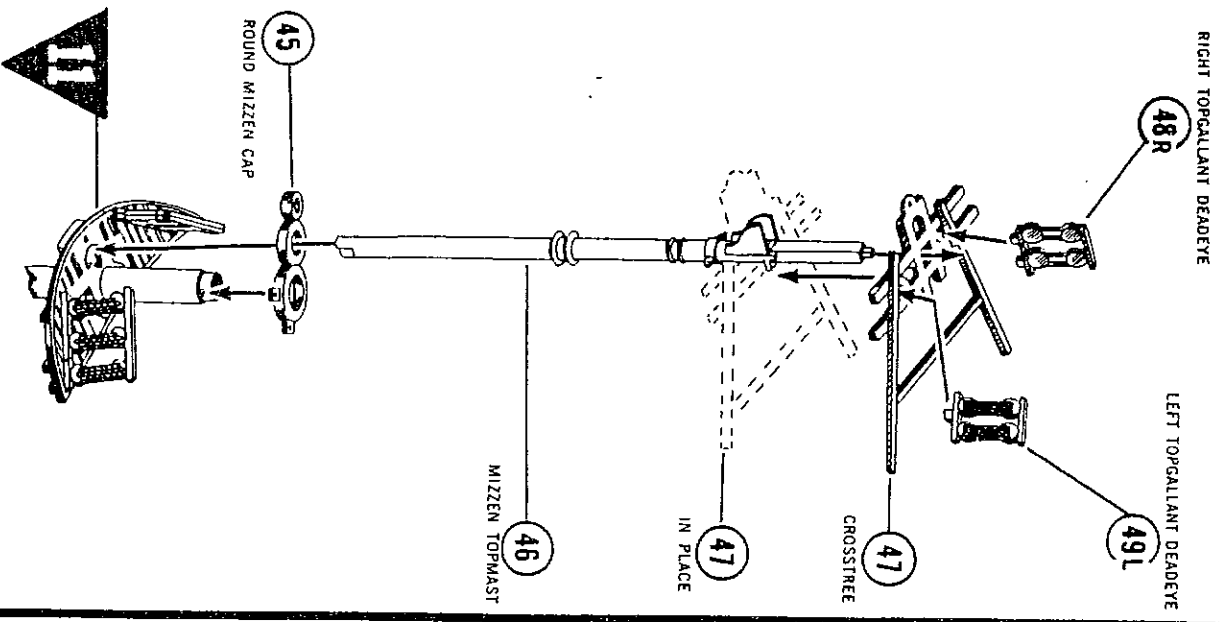


NOTE: CEMENT (2) PARTS 38 TOGETHER, AS SHOWN

Cement 37R and 37L to 38, cement 39 to Mast. Slide 40 down into position, as shown and cement. Now cement 41R to 42R, then down into 40. Also cement 43L to 44L, then into place on 40.

12

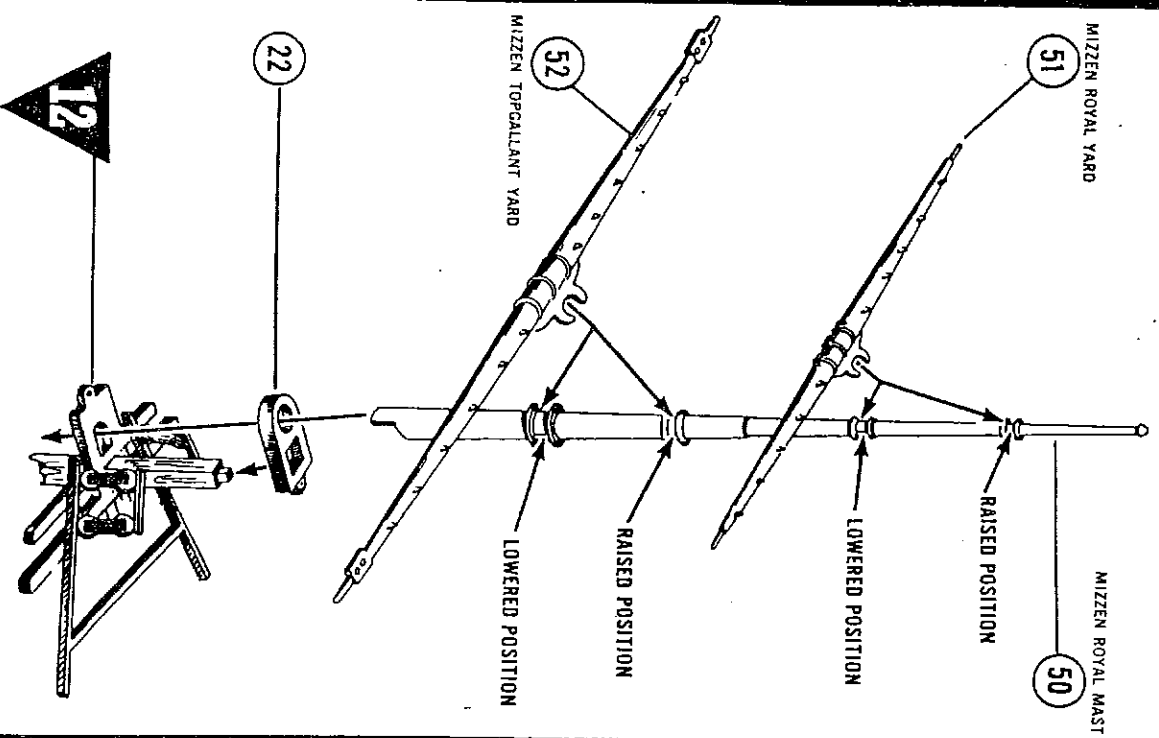
MIZZEN TOPMAST



Cement 45 to Assembly 11. Now slide 46 thru 45 and down into Assembly 11, then cement. Slide 47 down into position on 46, as shown. When positioned properly, apply cement. Finally cement 48R and 49L into 47.

13

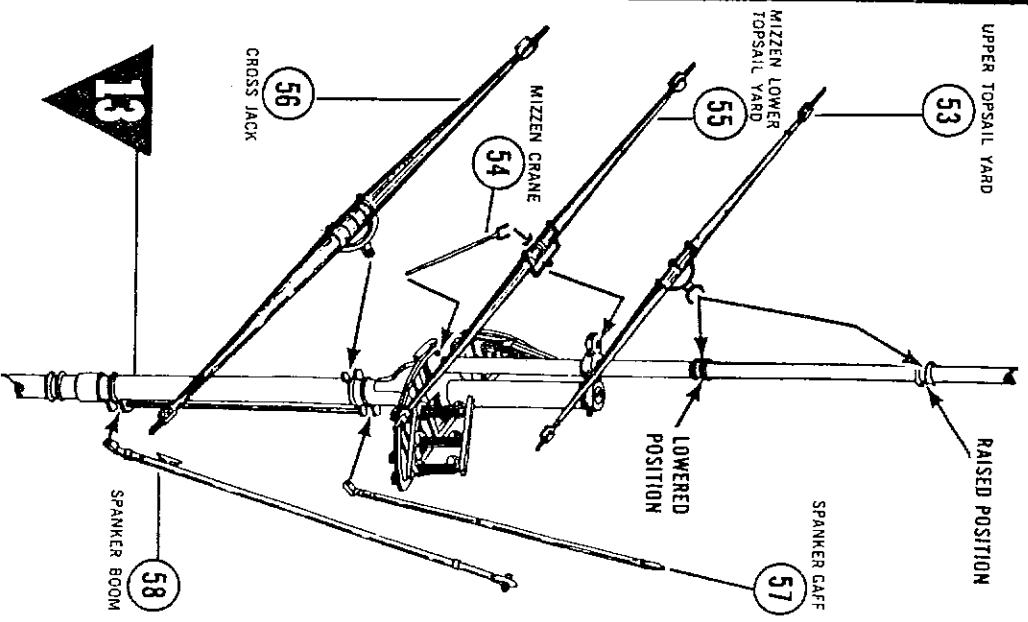
MIZZEN ROYALMAST



Cement remaining 22 onto Assembly 12. Slide 50 thru 22 down into place, as shown. When positioned properly, apply cement. Cement 51 and 52 onto 50, same as FORE and MAIN MAST YARDS.

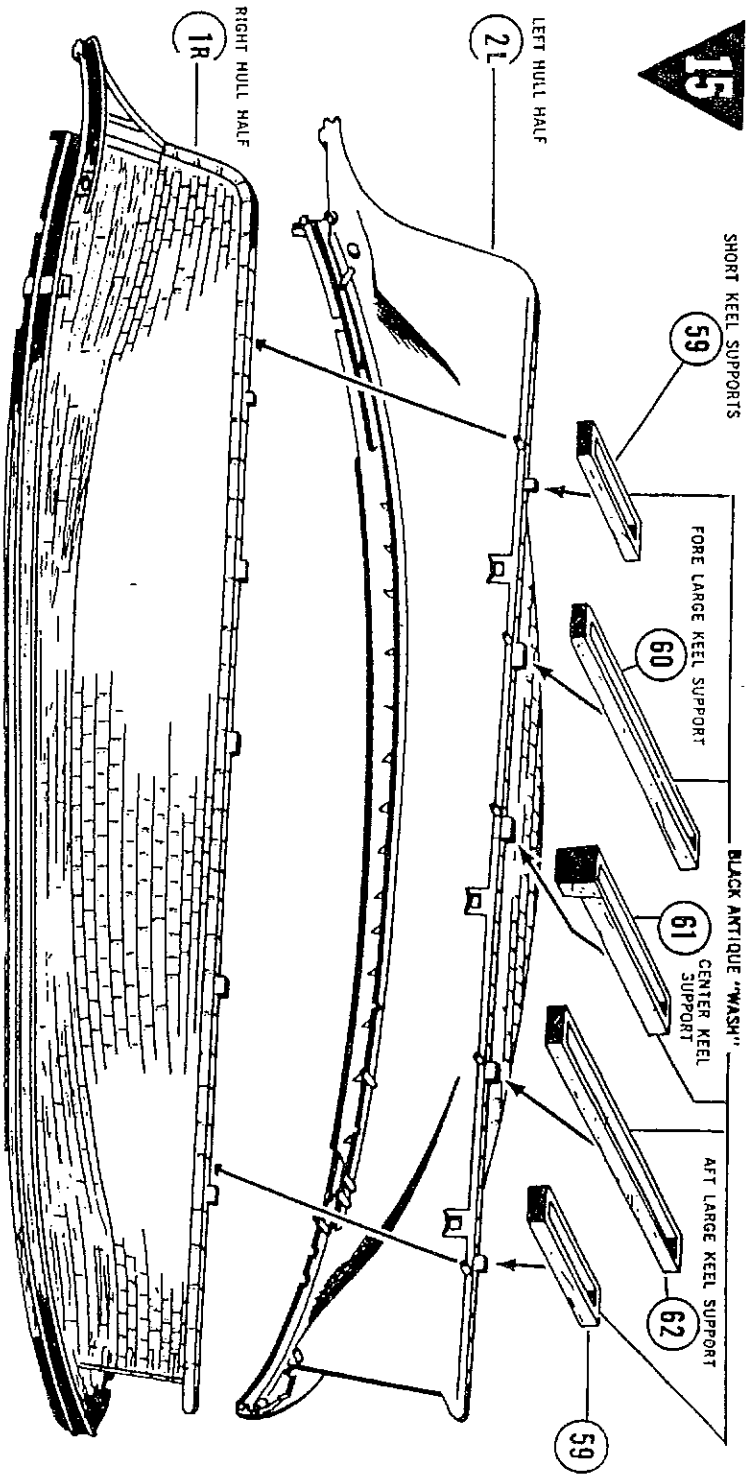
14

FINAL ASSEMBLY MIZZENMAST

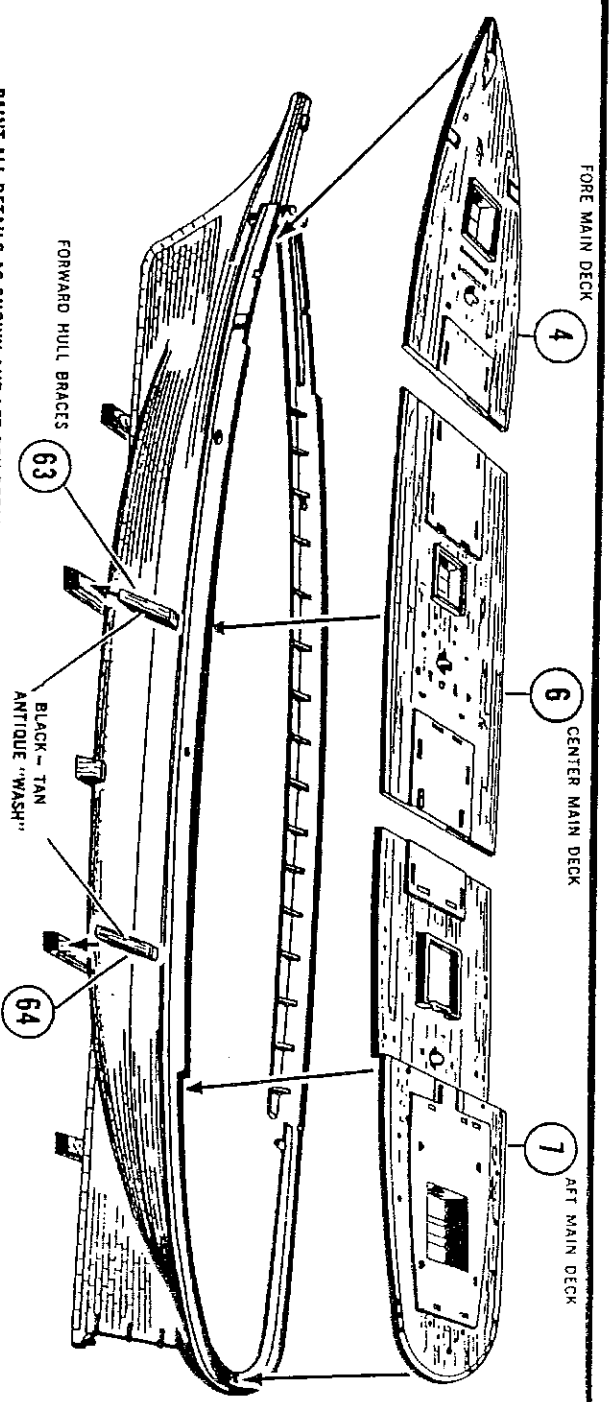


Start at the top of Assembly 13. Cement the following Parts into place on Assembly 13: 53, 54, 55 and 56. DO NOT CEMENT 57 and 58 into position until RUNNING RIGGING.

SHORT KEEL SUPPORTS



BLACK ANTIQUE "WASH"



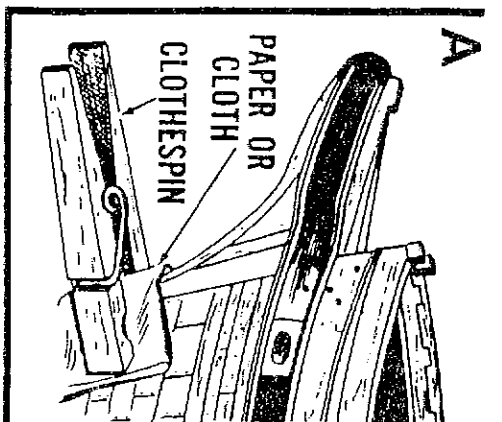
PAINT ALL DETAILS AS SHOWN AND LET DRY BEFORE ASSEMBLING.

TURN YOUR HULL RIGHT SIDE UP, AS SHOWN

We suggest you run a bead of glue inside Hull where Halves meet, as shown, in Small Drawing A. Now cement (2) parts 63 to Long

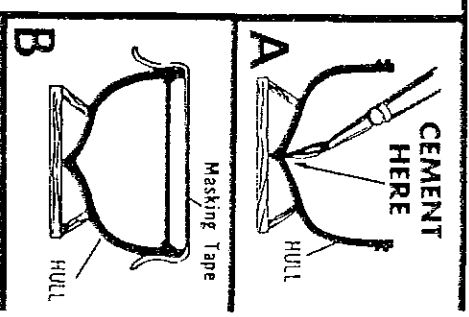
Front Supports and (2) parts 64 to Long Rear Support, as shown. Place Decks, parts 4, 6 and 7 into Hull. When all Decks are positioned properly, we suggest you use Masking Tape to pull

Hull Halves together, as shown in Small Drawing B, then apply cement. At this point FOR BEST RESULTS LET YOUR MODEL DRY OVERNIGHT.



BE SURE ALL PAINT IS THOROUGHLY DRY BEFORE PROCEEDING

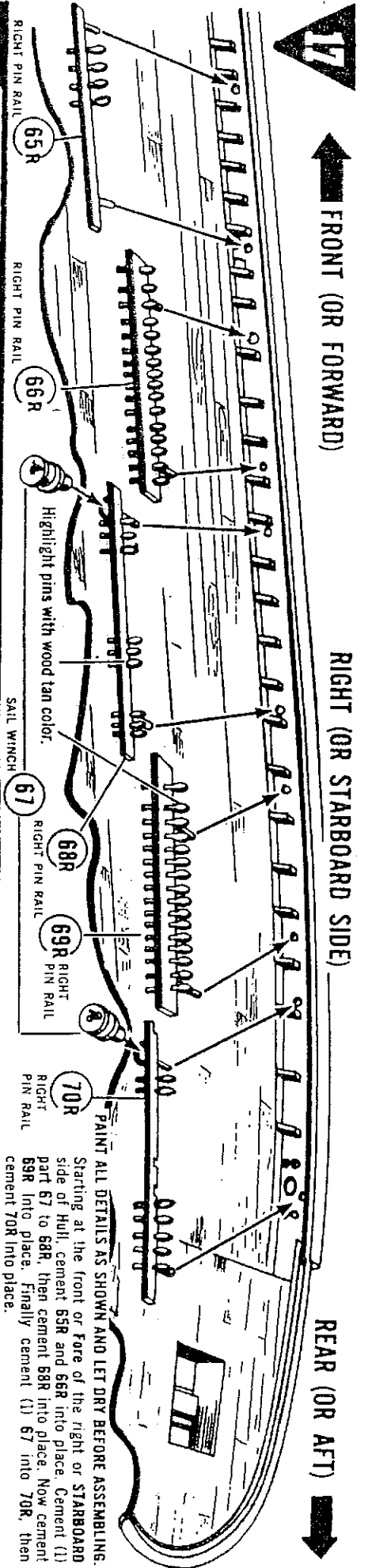
Cement Hull Halves 1R and 2L together. Cement (2) parts 59 and parts 60, 61 and 62 onto 1R and 2L. We suggest you use clothes pins as clamps to help hold Hull Halves together. Use paper or cloth around Hull to prevent scratching painted Hull, as shown in Small Drawing A.



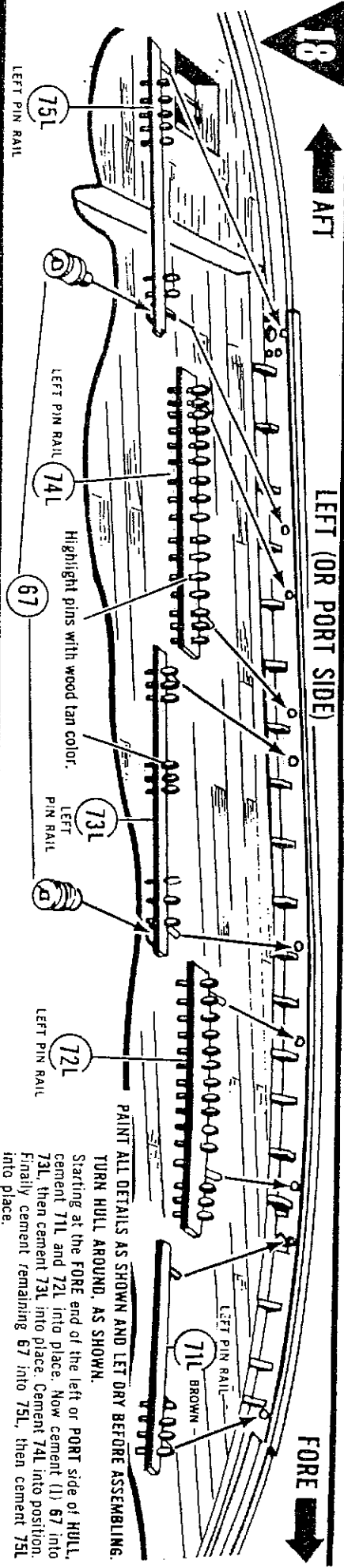
CEMENT HERE

Masking Tape

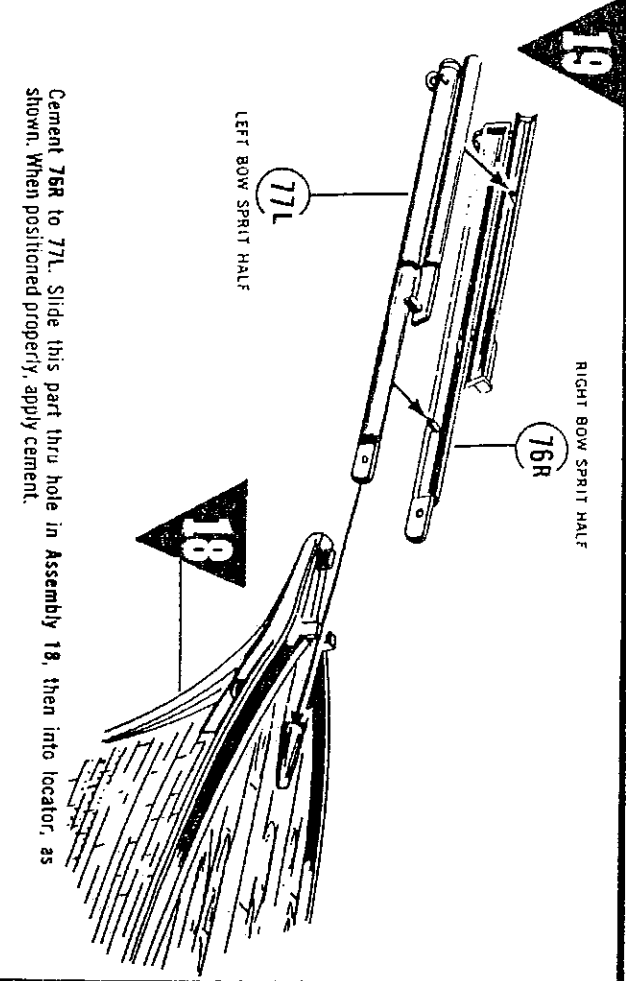
HULL



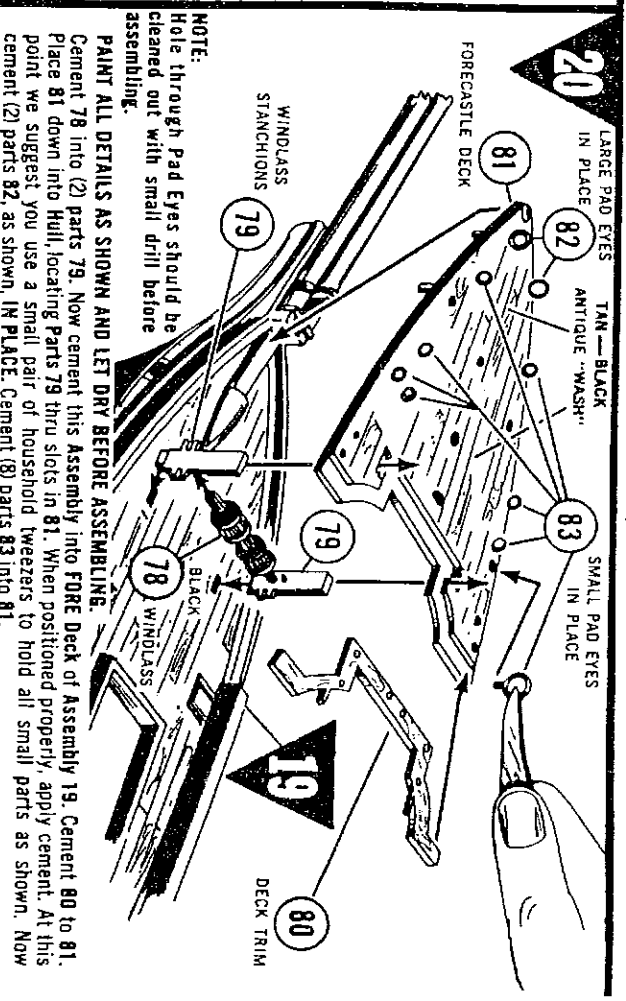
PAINT ALL DETAILS AS SHOWN AND LET DRY BEFORE ASSEMBLING.
 Starting at the front or Fore of the right or STARBOARD side of Hull, cement 65R and 66R into place. Cement (1) part 67 to 68R, then cement 68R into place. Now cement 69R into place. Finally cement (1) 67 into 70R, then cement 70R into place.



PAINT ALL DETAILS AS SHOWN AND LET DRY BEFORE ASSEMBLING.
TURN HULL AROUND, AS SHOWN.
 Starting at the FORE end of the left or PORT side of Hull, cement 71L and 72L into place. Now cement (1) 67 into 73L, then cement 73L into place. Cement 74L into position. Finally cement remaining 67 into 75L, then cement 75L into place.



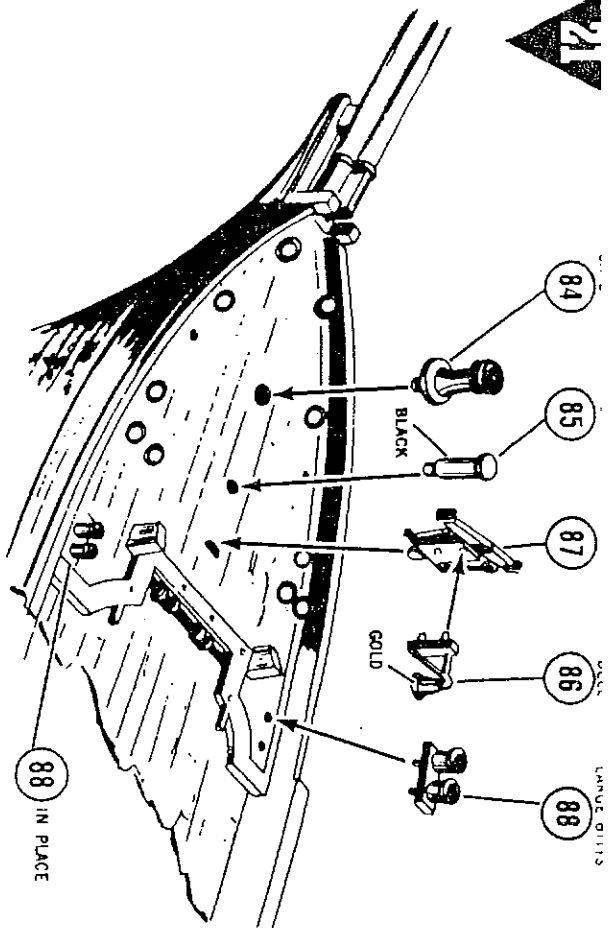
Cement 76R to 77L. Slide this part thru hole in Assembly 18, then into locator, as shown. When positioned properly, apply cement.



PAINT ALL DETAILS AS SHOWN AND LET DRY BEFORE ASSEMBLING.
 Cement 78 into (2) parts 79. Now cement this Assembly into FORE Deck of Assembly 19. Cement 80 to 81. Place 81 down into Hull, locating Parts 79 thru slots in 81. When positioned properly, apply cement. At this point we suggest you use a small pair of household tweezers to hold all small parts as shown. Now cement (2) parts 82, as shown, IN PLACE. Cement (8) parts 83 into 81.

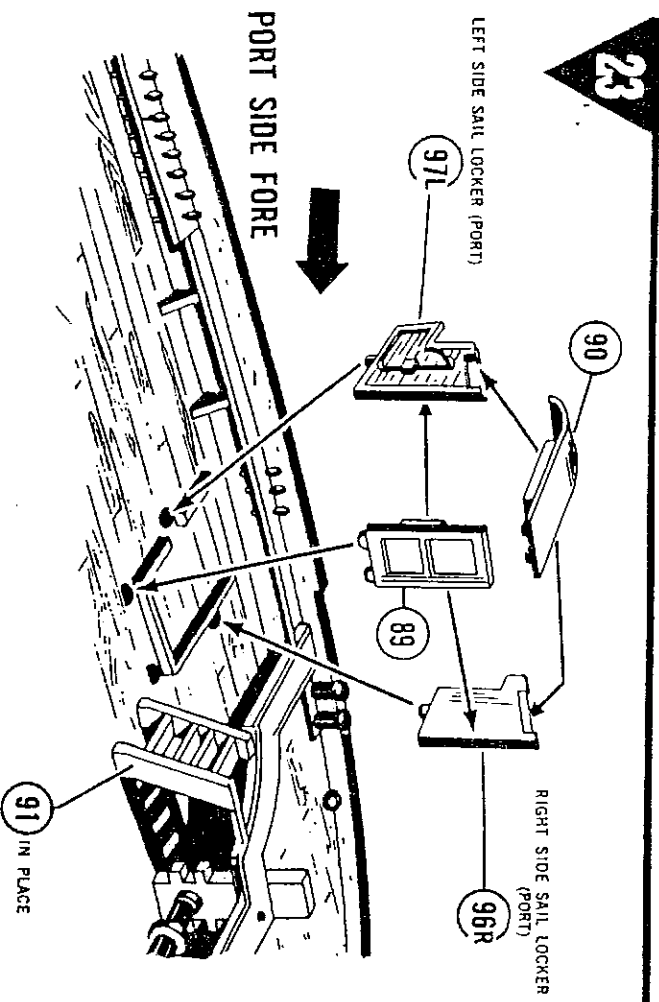
NOTE:
 Hole through Pad Eyes should be cleaned out with small drill before assembling.

21



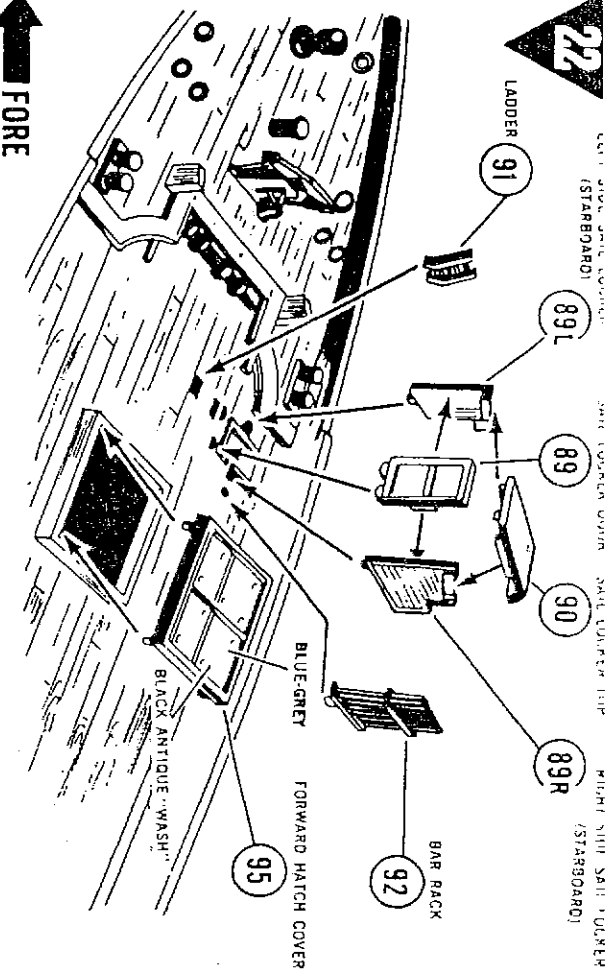
PAINT ALL DETAILS AS SHOWN AND LET DRY BEFORE ASSEMBLING.
 Cement 84 and 85 into place, as shown. Next cement 86 to 87, then cement 87 into place. Now cement (2) parts 88 into place.

23



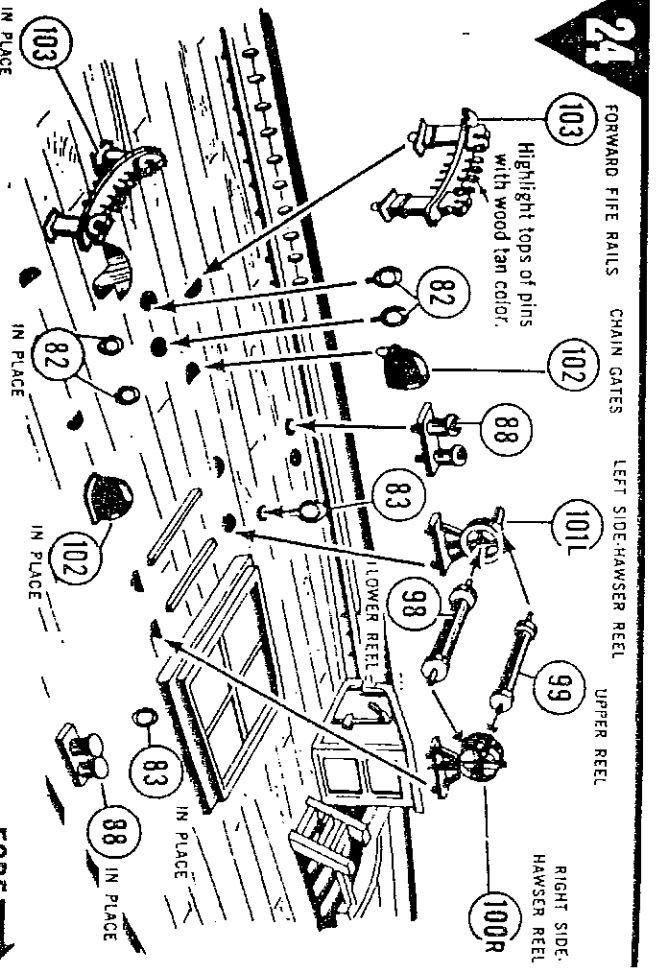
PAINT ALL DETAILS AS SHOWN AND LET DRY BEFORE ASSEMBLING.
 Cement 96R, 89 and 97L to deck. Next, cement remaining part 90 onto 96R, 89 and 97L. Cement Ladder part 91, as shown, in place into deck.

22

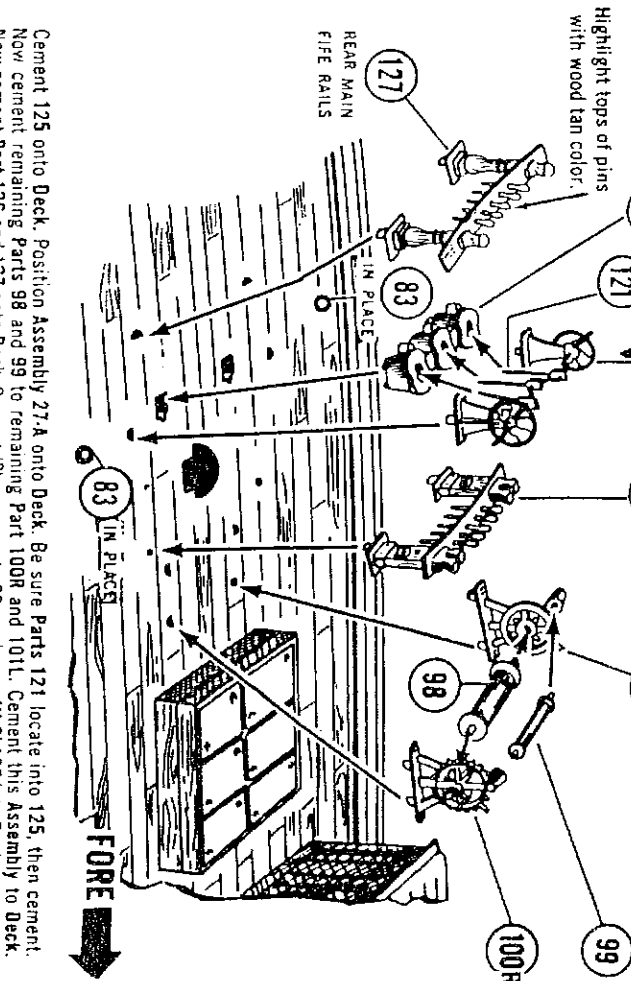
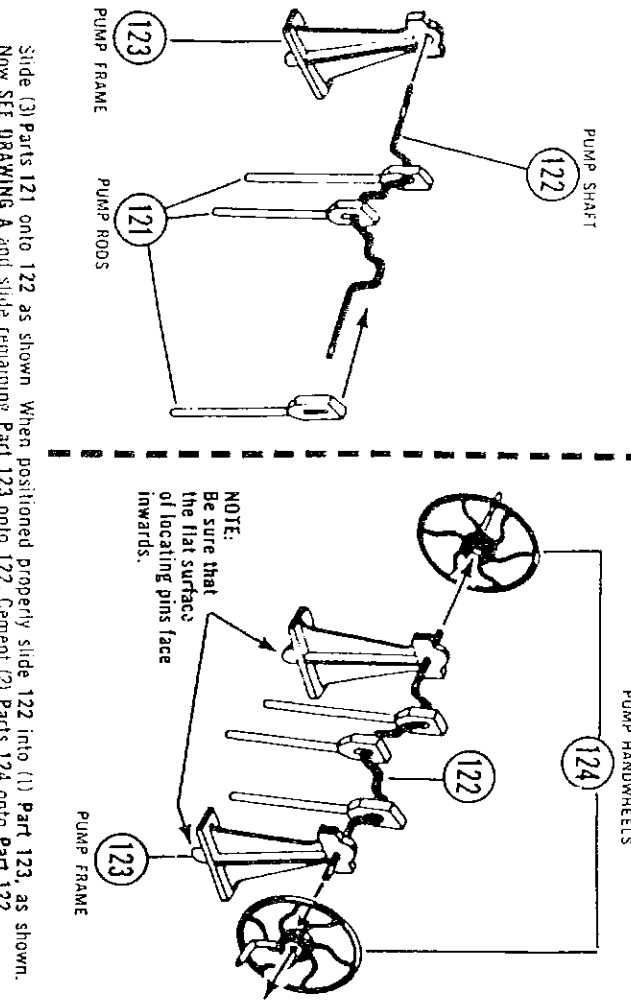
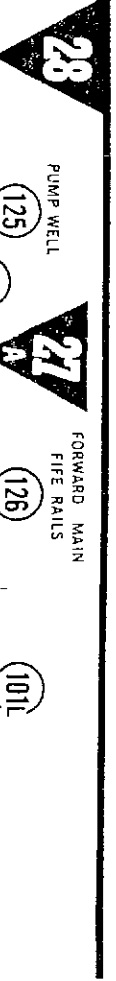
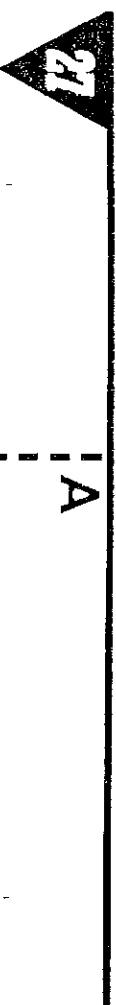
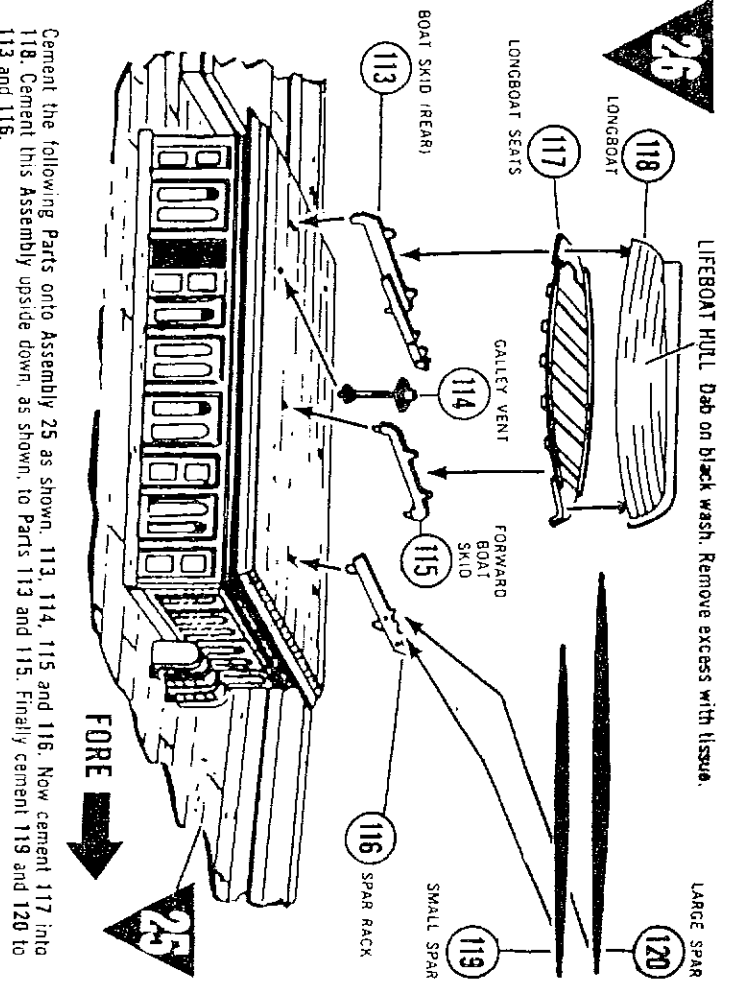
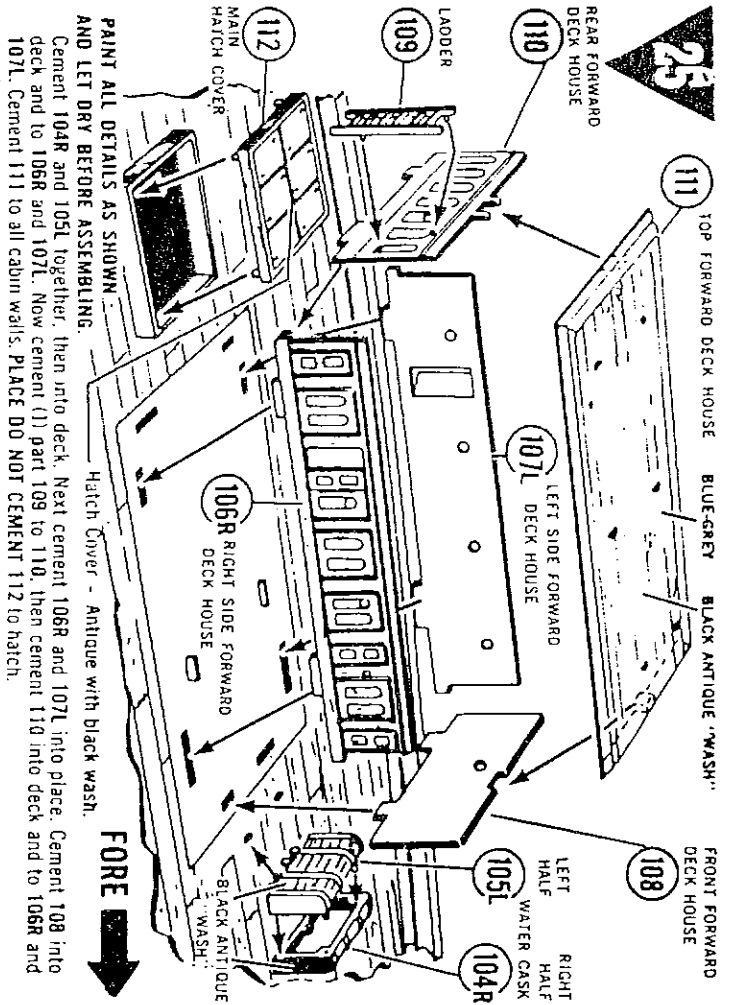


PAINT ALL DETAILS AS SHOWN AND LET DRY BEFORE ASSEMBLING.
 Cement 89L, 89 and 89R to deck. Next, cement 90 down onto 89L, 89 and 89R. Now cement (1) 91 to locators in deck. Cement 92 into place. Finally, PLACE DO NOT CEMENT 95 onto Hatch.

24



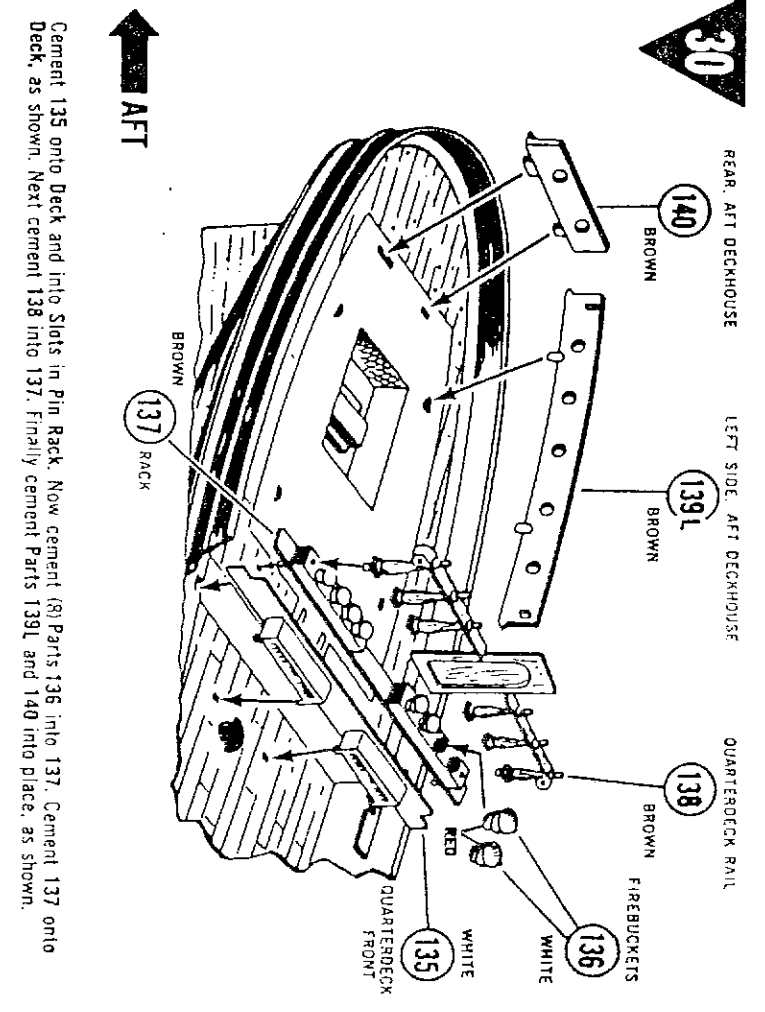
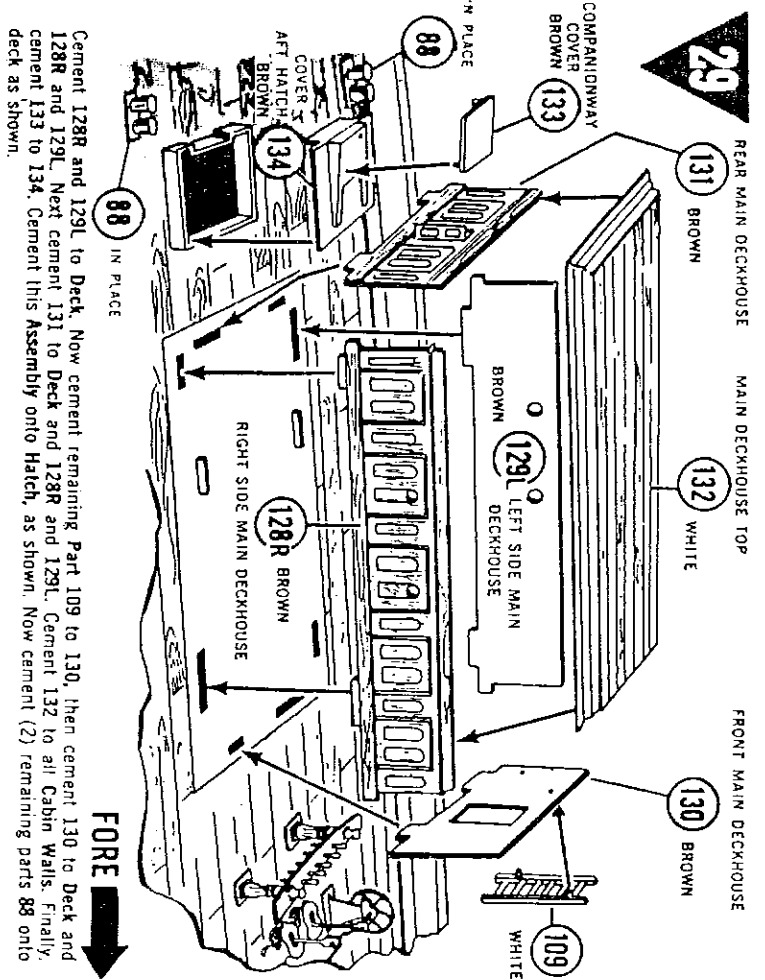
PAINT ALL DETAILS AS SHOWN AND LET DRY BEFORE ASSEMBLING.
 Cement (1) 98 and 99 into 100R and 101L. Cement this Assembly onto Deck. Now cement (2) Parts 102 into place. Cement (4) remaining Parts 82 into Deck as shown. Now cement (2) more Parts 83 and (2) more Parts 88 into Deck, as shown. Cement only (1) Part 103 into position as shown. The remaining Part 103 cement in place after completion of Standing Rigging.



Slide (3) Parts 121 onto 122 as shown. When positioned properly slide 122 into (1) Part 123, as shown. Now SEE DRAWING A and slide remaining Part 123 onto 122. Cement (2) Parts 124 onto Part 122.

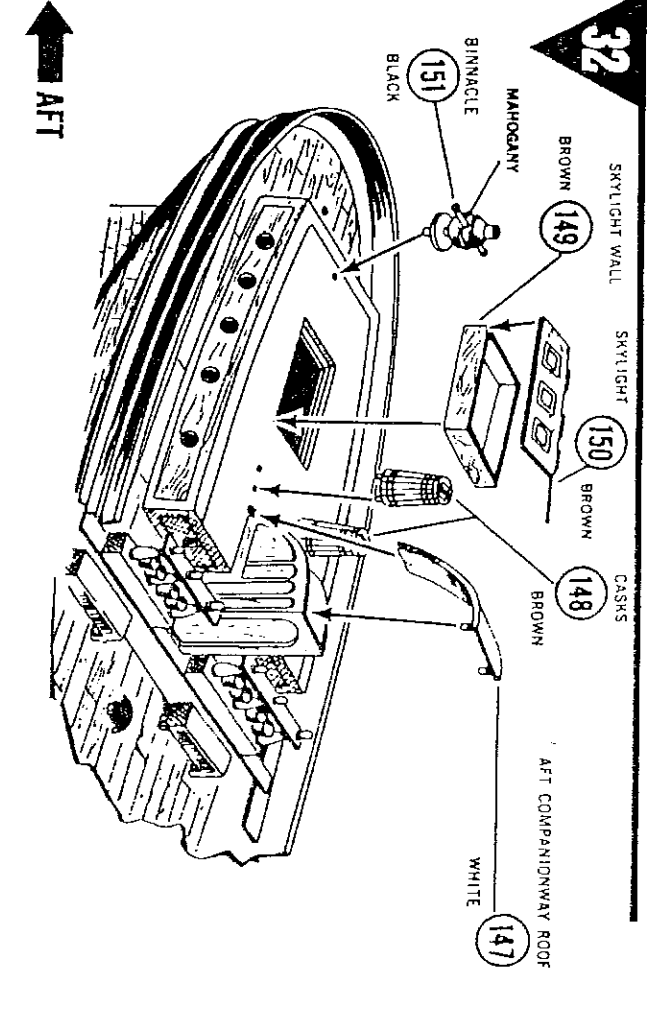
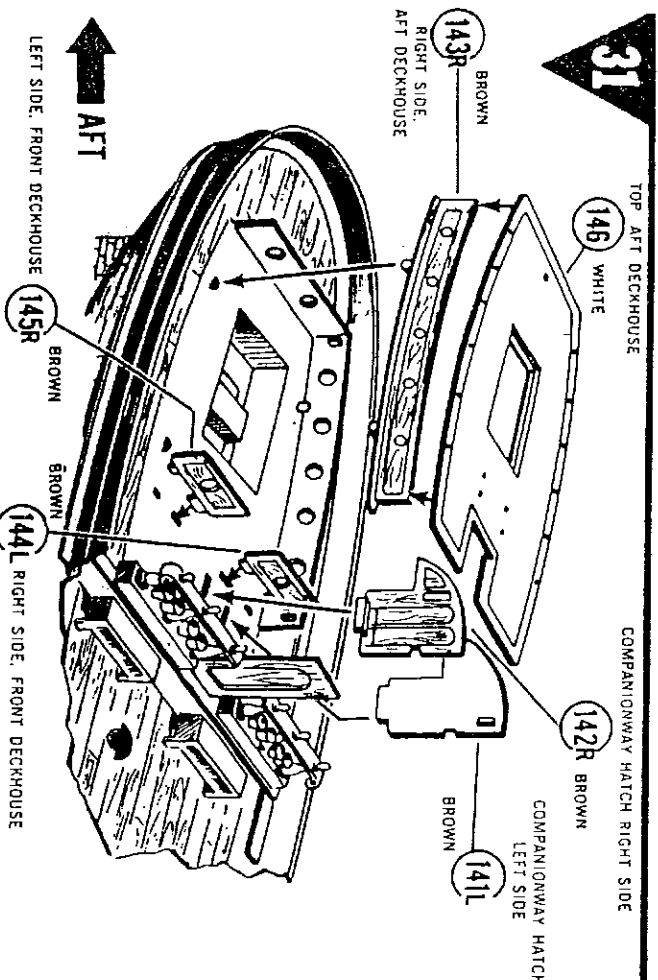
Cement 125 onto Deck. Position Assembly 27-A onto Deck. Be sure Parts 121 locate into 125, then cement. Now cement remaining Parts 98 and 99 to remaining Part 100R and 101L. Cement this Assembly to Deck. Now cement Part 126 and 127 onto Deck. Cement (2) Parts 124 onto Part 122. Cement (2) Parts 124 onto Part 122.

NOTE: Be sure that the flat surface of locating pins face inwards.



Cement 128R and 129L to Deck. Now cement remaining Part 109 to 130, then cement 130 to Deck and 128R and 129L. Next cement 131 to Deck and 128R and 129L. Cement 132 to all Cabin Walls. Finally, cement 133 to 134. Cement this Assembly onto Hatch, as shown. Now cement (2) remaining parts 88 onto deck as shown.

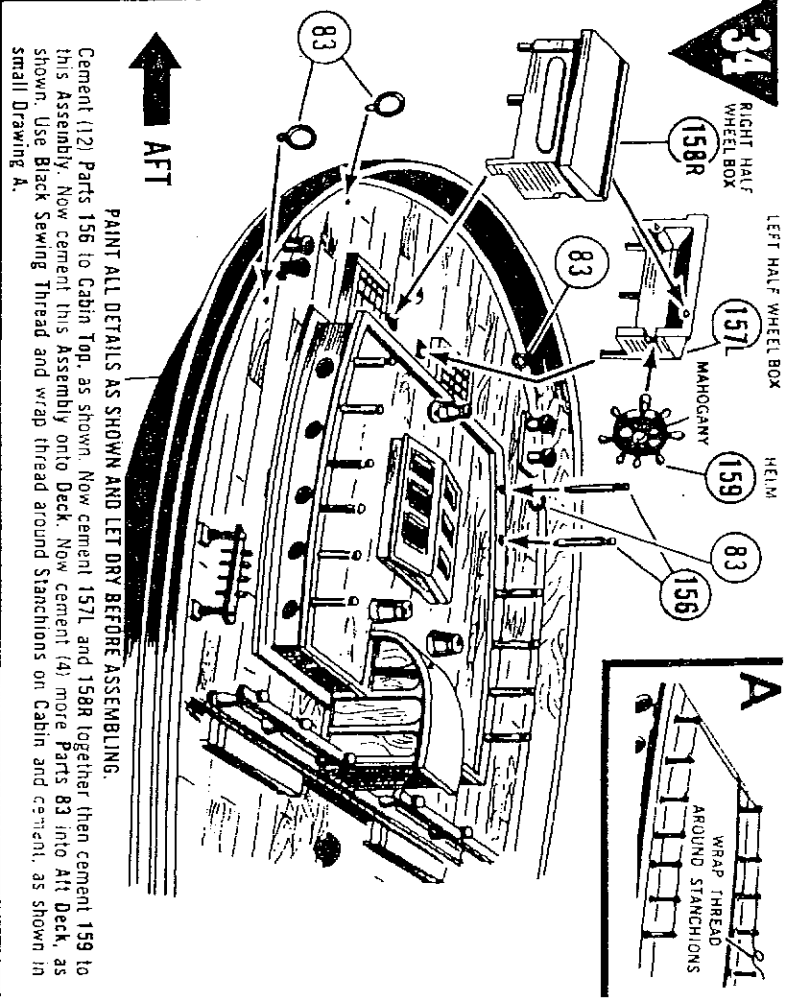
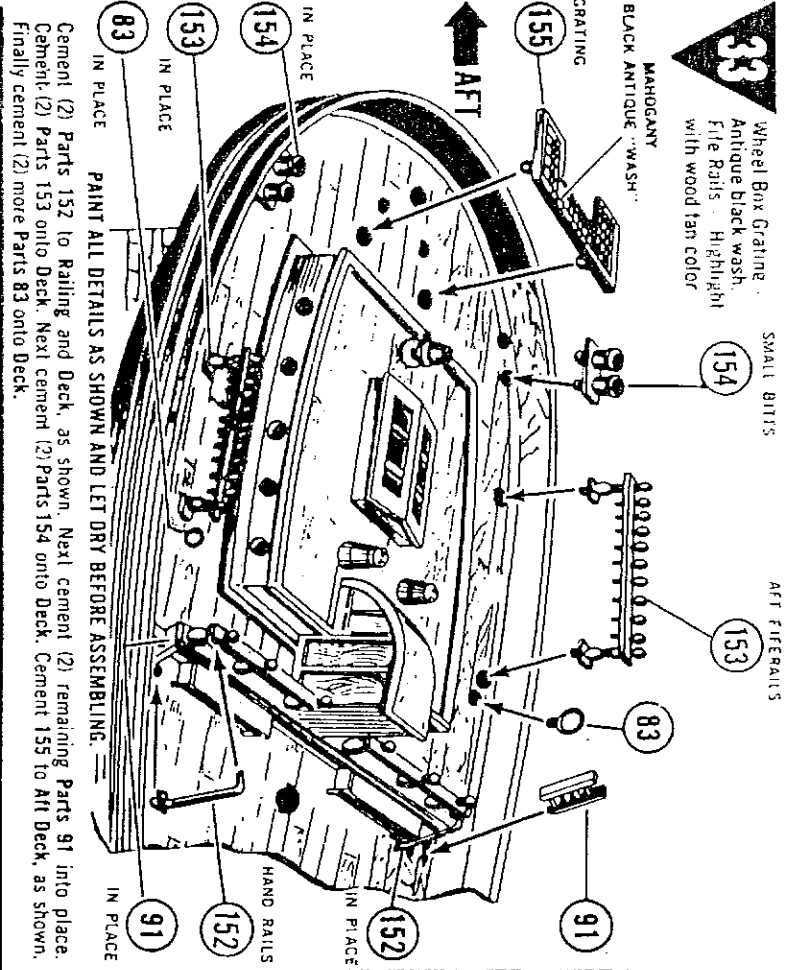
Cement 135 onto Deck and into Slats in Pin Rack. Now cement (8) Parts 136 into 137. Cement 137 onto Deck, as shown. Next cement 138 into 137. Finally cement Parts 139L and 140 into place, as shown.



Cement 141L and 142R to Deck and 138, as shown. Now cement 143R to Deck. Cement 144L and 145R to Deck and Cabin Sides. Finally cement 146 to all Cabin Walls.

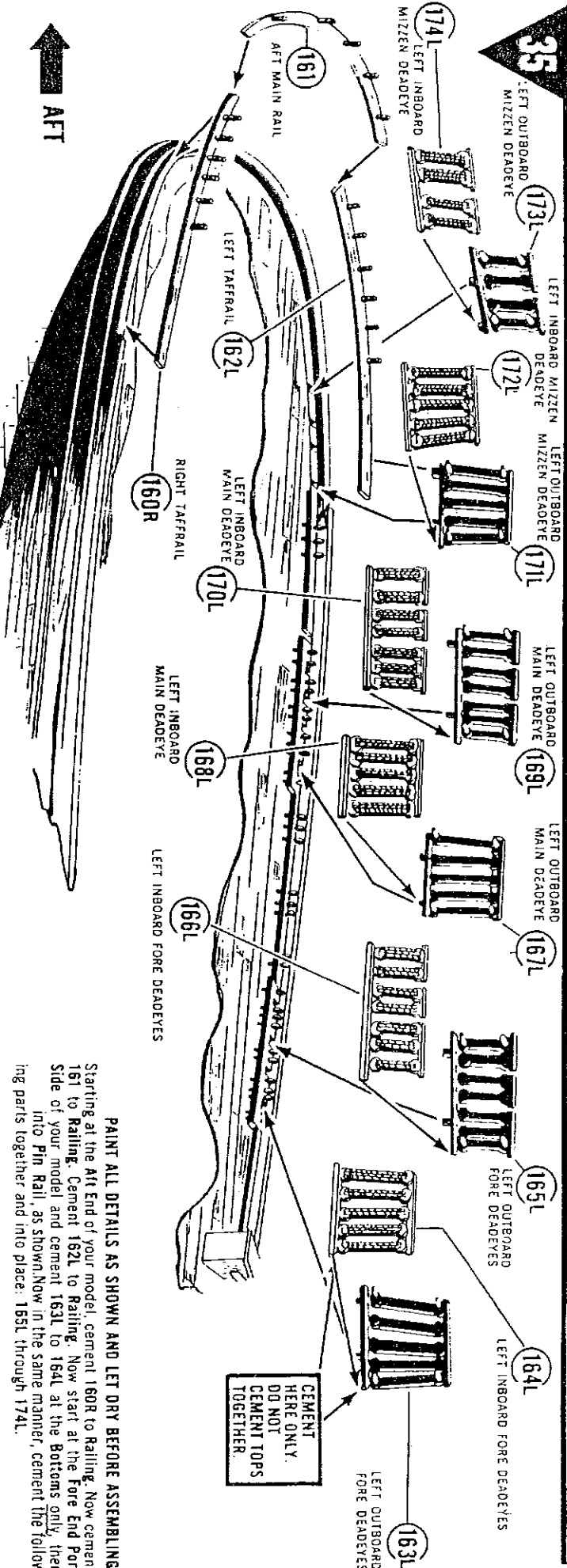
PAINT ALL DETAILS AS SHOWN AND LET DRY BEFORE ASSEMBLING. Cement 147 into place. Cement (2) Parts 148 to Cabin Top. Now cement 149 onto Aft Cabin Roof. Place DO NOT CEMENT 150 onto 149. Finally cement 151 into place.

33 Wheel Box Grating
 Antique black wash.
 File Rails - Highlight
 with wood tan color



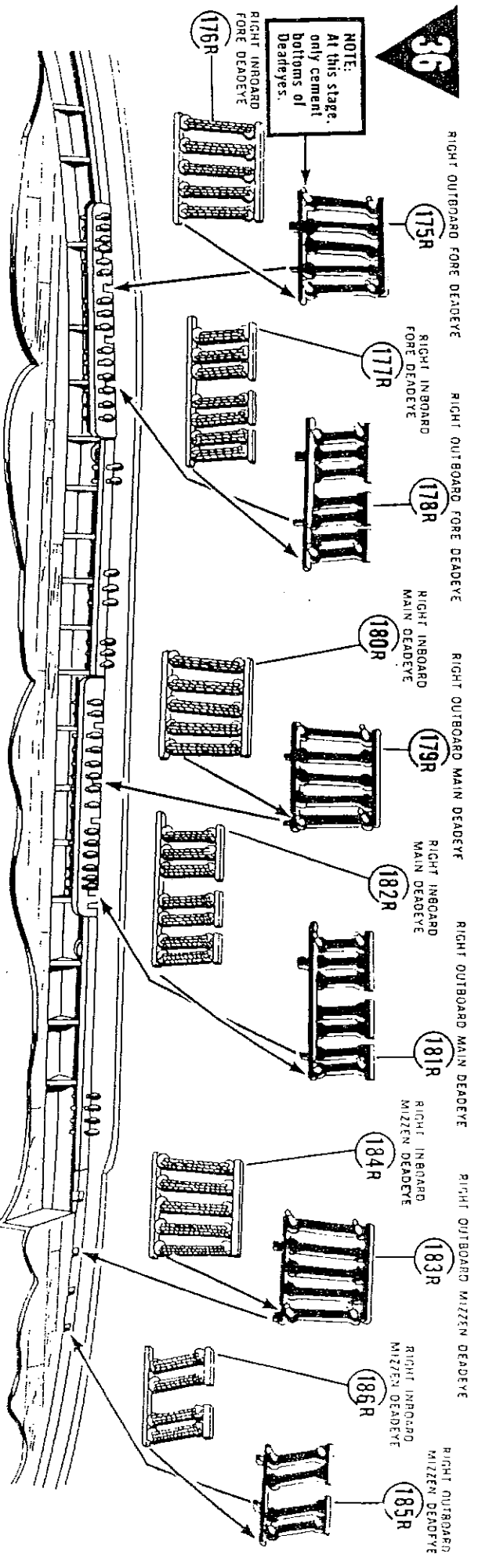
34 PAINT ALL DETAILS AS SHOWN AND LET DRY BEFORE ASSEMBLING.
 Cement (12) Parts 156 to Cabin Top, as shown. Now cement 157L and 158R together then cement 159 to this Assembly. Now cement this Assembly onto Deck. Now cement (4) more Parts 83 into Aft Deck, as shown. Use Black Sewing Thread and wrap thread around Stanchions on Cabin and ceiling, as shown in small Drawing A.

35 PAINT ALL DETAILS AS SHOWN AND LET DRY BEFORE ASSEMBLING.
 Cement (2) Parts 152 to Railing and Deck, as shown. Next cement (2) remaining Parts 91 into place. Cement (2) Parts 153 onto Deck. Next cement (2) Parts 154 onto Deck. Cement 155 to Aft Deck, as shown. Finally cement (2) more Parts 83 onto Deck.



35 PAINT ALL DETAILS AS SHOWN AND LET DRY BEFORE ASSEMBLING.
 Starting at the Aft End of your model, cement 160R to Railing. Now cement 161 to Railing. Cement 162L to Railing. Now start at the Fore End Port Side of your model and cement 163L to 164L at the Bottoms only, then into Pin Rail, as shown. Now in the same manner, cement the following parts together and into place: 165L through 174L.

CEMENT HERE ONLY DO NOT CEMENT TOPS TOGETHER.

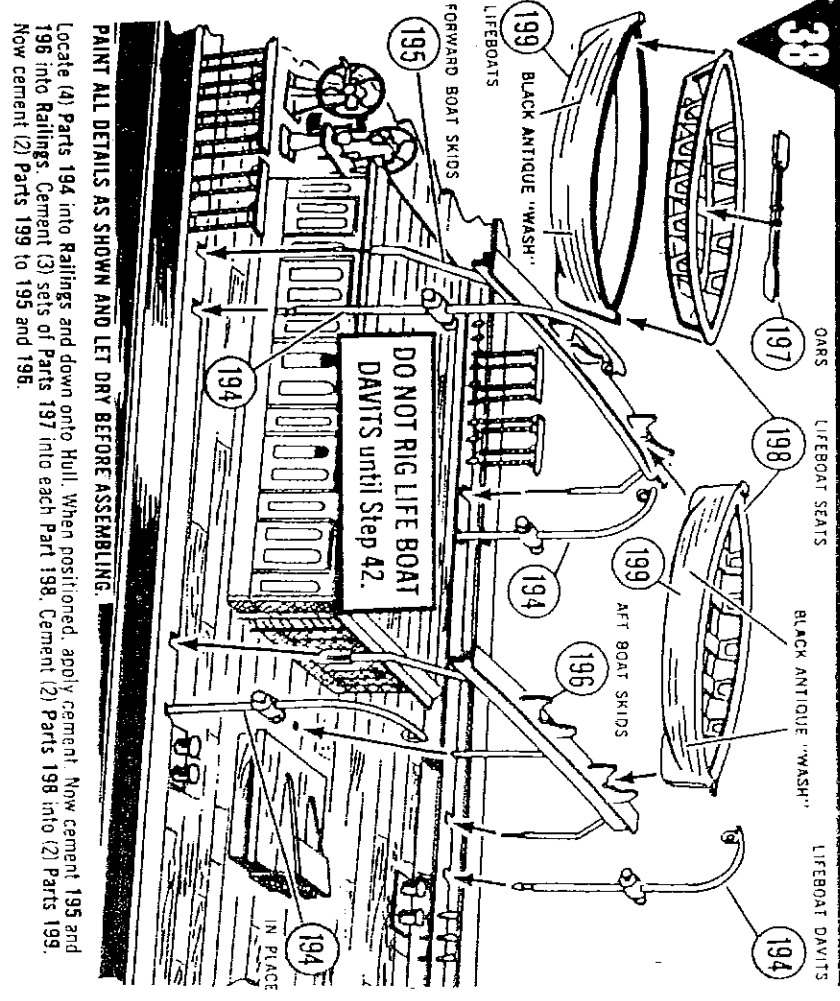
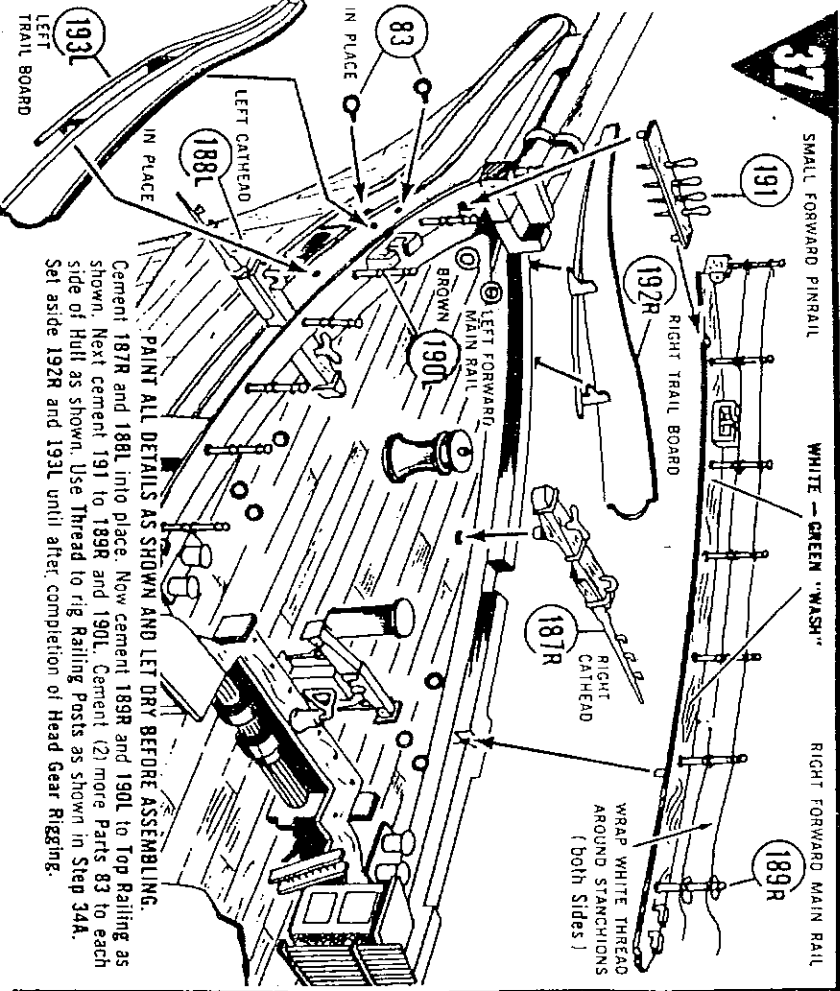


FORE

TURN MODEL AROUND, AS SHOWN.

Starting at the Fore End, Starboard Side of your model, cement 175R to

176R at the Bottoms only, then cement into pin rail, as shown. Now in the same manner, cement the following parts together and into place: 177R through 186R.

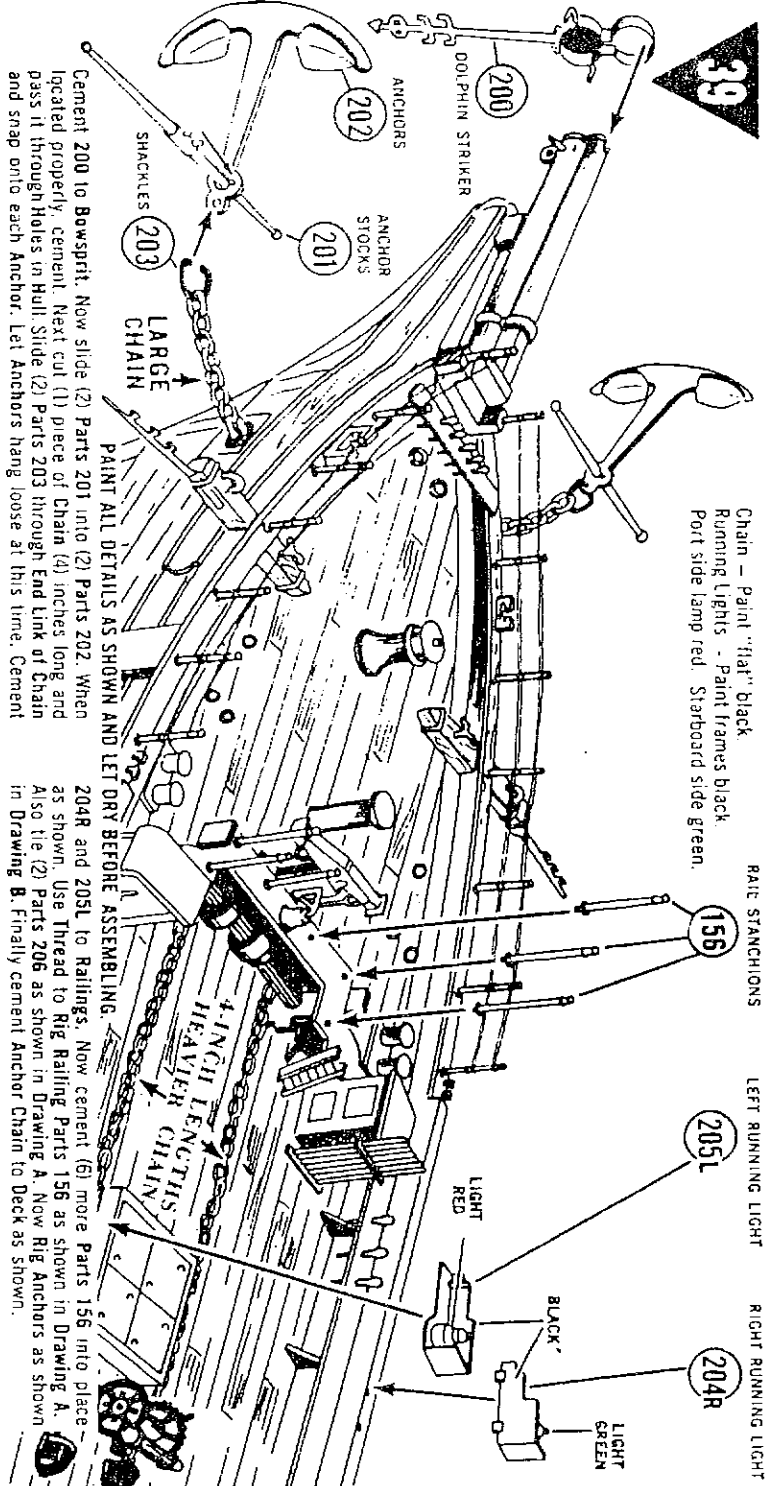


PAINT ALL DETAILS AS SHOWN AND LET DRY BEFORE ASSEMBLING.

Cement 187R and 188L into place. Now cement 189R and 190L to Top Railing as shown. Next cement 191 to 189R and 190L. Cement (2) more Parts 83 to each side of Hull as shown. Use Thread to rig Railing Posts as shown in Step 34A. Set aside 192R and 193L until after completion of Head Gear Rigging.

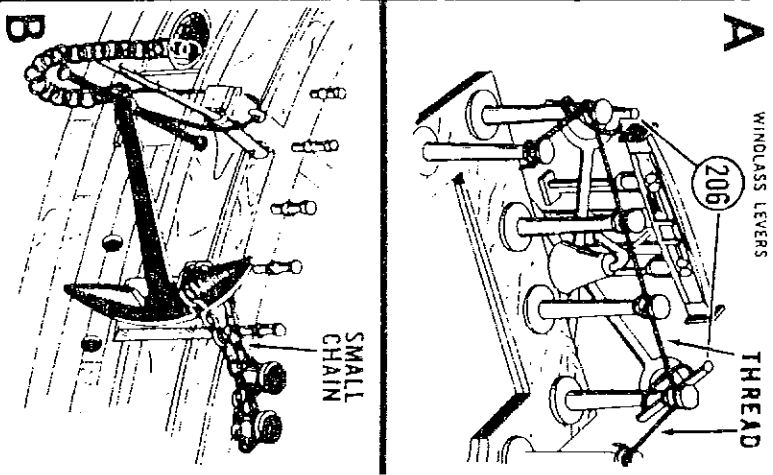
PAINT ALL DETAILS AS SHOWN AND LET DRY BEFORE ASSEMBLING.

Locate (4) Parts 194 into Railings and down onto Hull. When positioned, apply cement. Now cement 195 and 196 into Railings. Cement (3) sets of Parts 197 into each Part 198. Cement (2) Parts 198 into (2) Parts 199. Now cement (2) Parts 199 to 195 and 196.

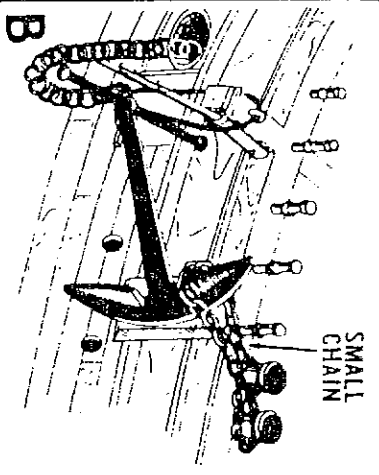


Chain — Paint "flat" black
 Running lights — Paint frames black
 Port side lamp red. Starboard side green.

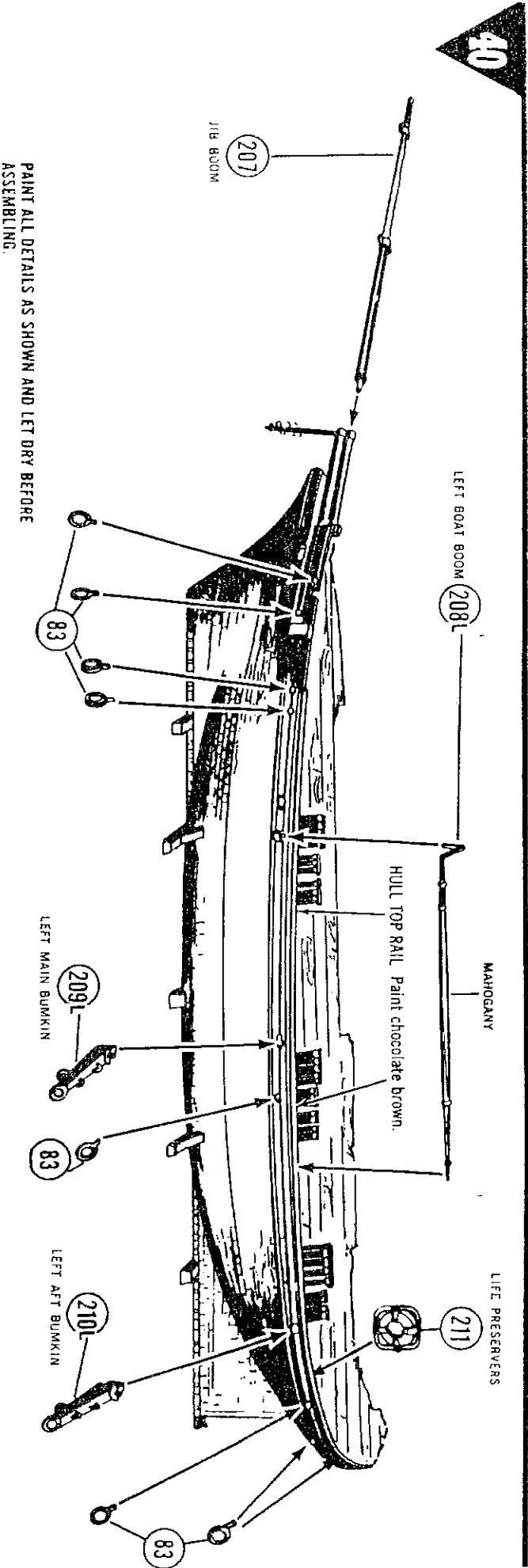
Cement 200 to Bowsprit. Now slide (2) Parts 201 into (2) Parts 202. When located properly, cement. Next cut (1) piece of Chain (4) inches long and pass it through Holes in Hull Slide (2) Parts 203 through End Link of Chain and snap onto each Anchor. Let Anchors hang loose at this time. Cement 204R and 205L to Railings. Now cement (6) more Parts 156 into place as shown. Use Thread to Rig Railings Parts 156 as shown in Drawing A. Also tie (2) Parts 206 as shown in Drawing A. Now Rig Anchors as shown in Drawing B. Finally cement Anchor Chain to Deck as shown.



WINDLASS LEVERS (206)
 THREAD



SMALL CHAIN



PAINT ALL DETAILS AS SHOWN AND LET DRY BEFORE ASSEMBLING.

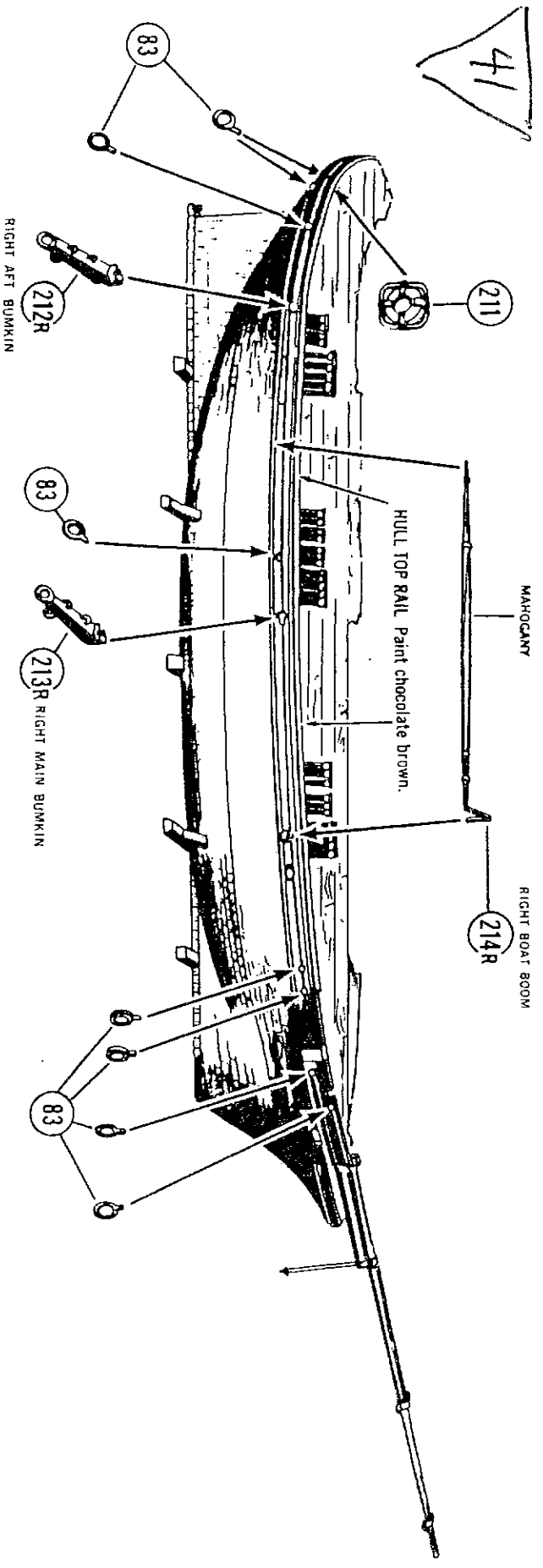
Starting at the Fore End of your model, cement 207 to Bowsprit. Next cement 209L to Hull. Next cement (1) 83 to Hull. Finally cement (7) 83 to Hull.

211 to inside of Railings.

Must cement Bowsprit to Hull. Do not cement to Deck.

Part 208L to Hull. Cement 209L to Hull. Next cement (1) 83 to Hull. Finally cement (7) 83 to Hull.

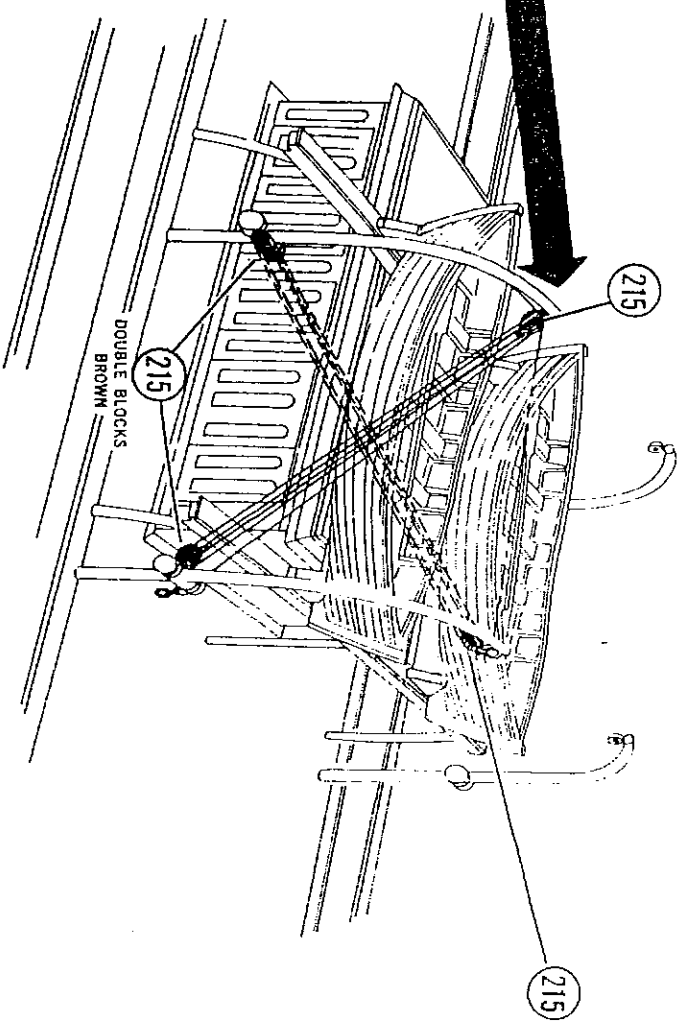
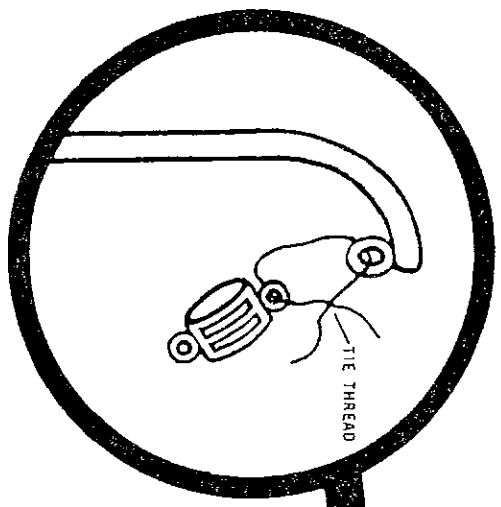
211 to inside of Railings.



PAINT ALL DETAILS AND LET DRY BEFORE ASSEMBLING

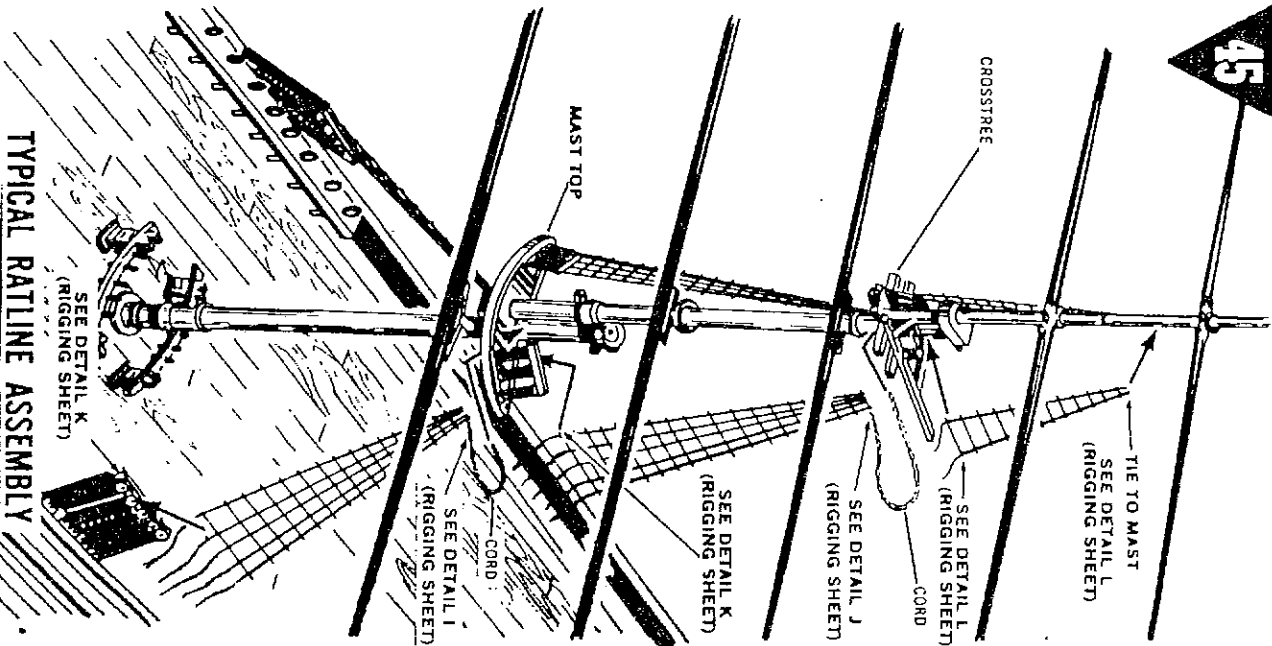
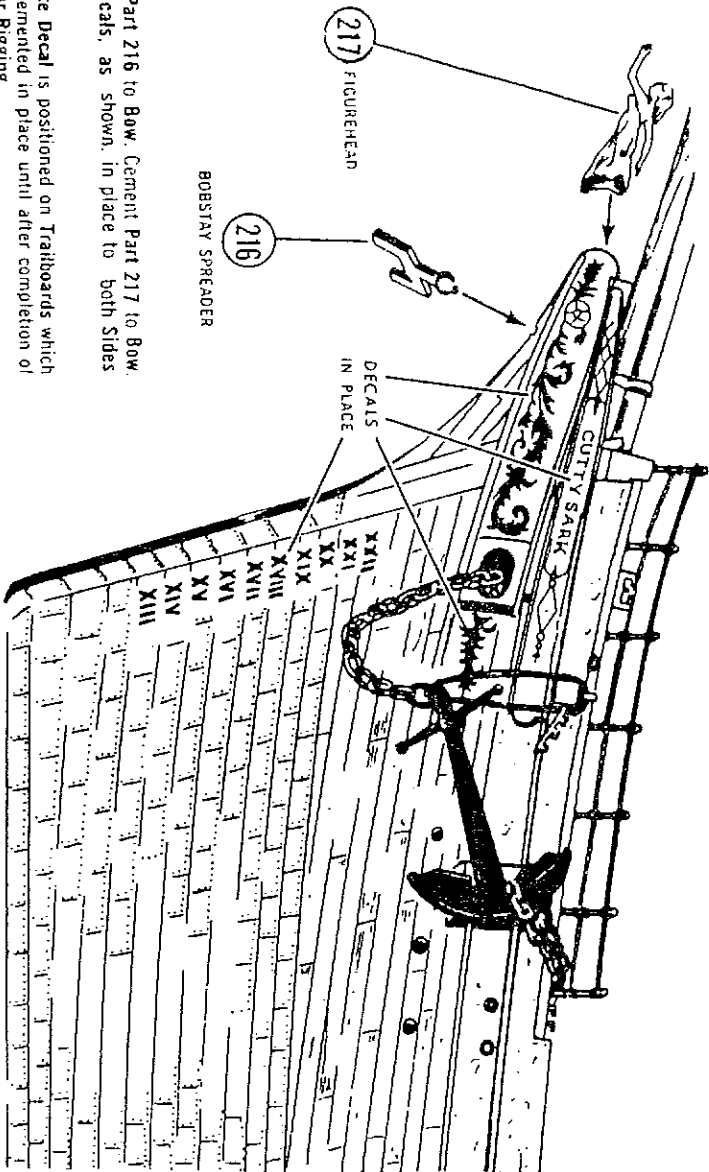
Turn model around. Starting at the Aft End, cement (3) Parts 83 and 212R to Hull. Next cement 213R into place. Place, or cement 214R to Hull. Cement (5) more Parts 83 to Hull. Finally cement remaining Part 211 in place.

42



Tie (4) Parts 215 to Lifeboat Davits. Use Thread and Rig as shown. Do Opposite Side in same manner. This Rigging and Assembly should be added after completion of Running Rigging.

Cement Part 216 to Bow. Cement Part 217 to Bow of Bow.
Apply Decals, as shown, in place to both Sides of Bow.
Nameplate Decal is positioned on Trailboards which are not cemented in place until after completion of Head Gear Rigging.



TYPICAL RATLINE ASSEMBLY

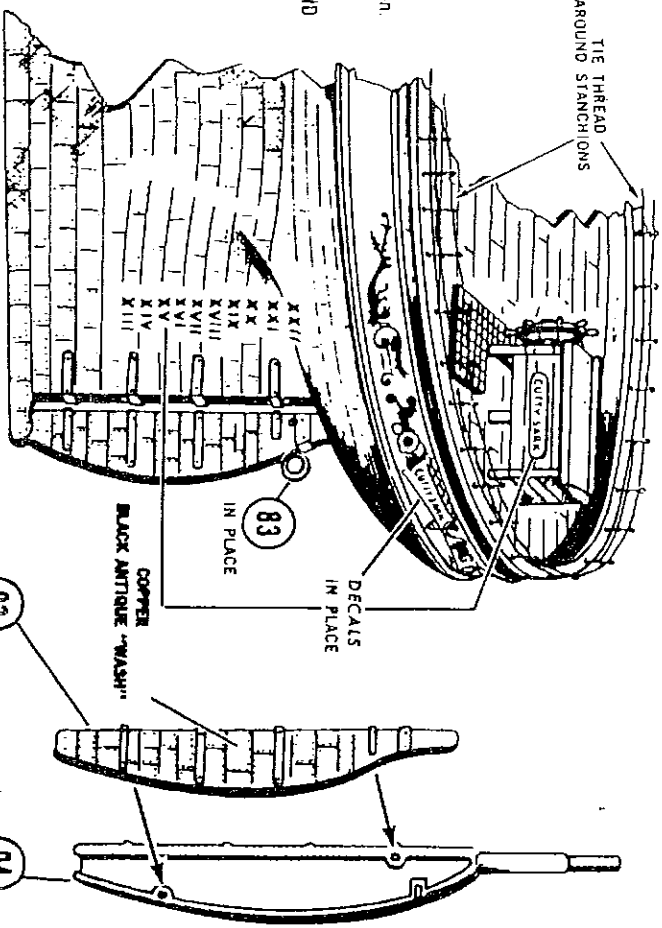
Cement all MAST ASSEMBLIES into DECK.
This drawing is of a typical ratline installation as called for in Step 4, of the STANDING RIGGING. (SEE SEPARATE RIGGING SHEET)
The RATLINES are installed AFTER the FORESTAYS have been rigged. At that time trim RATLINES as INDICATED in PATTERN on BACK of this page. TIE the UPPER ENDS of all RATLINES to MASTS as indicated in Details L, J and K. PLACE, DO NOT TIE the lower ends BETWEEN the BARS at the TOP of EACH DEAD EYE ASSEMBLY (Detail K). After the BACK STAYS are rigged, tie each VERTICAL RATLINE thread to its DEAD EYE. Then cement halves of DEAD EYES together. TRIM EXCESS THREAD.

RUDDER

Paint copper. Follow hull decoration.

PAINT ALL DETAILS AS SHOWN AND LET DRY BEFORE ASSEMBLING.

Turn model around. Cement Parts 93 and 94 together. Now insert Rudder Up into Hole in Hull, then Down into Keel. When positioned properly cement into place. Apply Decals to both sides of Hull, Wheel House, as shown, in place. Finally cement (1) part 83 into place, as shown.



LEFT HALF RUDDER

RIGHT HALF RUDDER

RATLINE CUTTING PATTERN

PLACE RATLINES ON CUTTING PATTERN AND CUT TO PROPER SIZE.

LEAVE CENTER THREAD TO TIE AT MAST TOP

LEAVE CENTER THREAD TO TIE AT CROSS TREE

CUT AS INDICATED AND TIE TO MAST

REMOVE HORIZONTAL LINES INDICATED BY DOTS.
LEAVE LOWER VERTICAL LINES TO TIE TO DEAD EYES. SEE DETAIL DRAWINGS IN STEP 4 OF RIGGING SHEET. TRIM EXCESS LINE AFTER TIEING.

FORE

MAIN

MIZZEN

FORE

MAIN

MIZZEN

FORE

MAIN

MIZZEN

FROM HULL DEAD EYES TO MAST TOP

FROM MAST TOP DEAD EYES TO CROSS TREE

FROM CROSS TREE DEAD EYES TO MAST