

# RISE™ RXS270

## MANUAL ADDENDUM

### UPDATED CONTENTS

Rx-R RXS270

Flight Controller

RX Cable

Propellers

Prop adapters with screws

Battery Strap

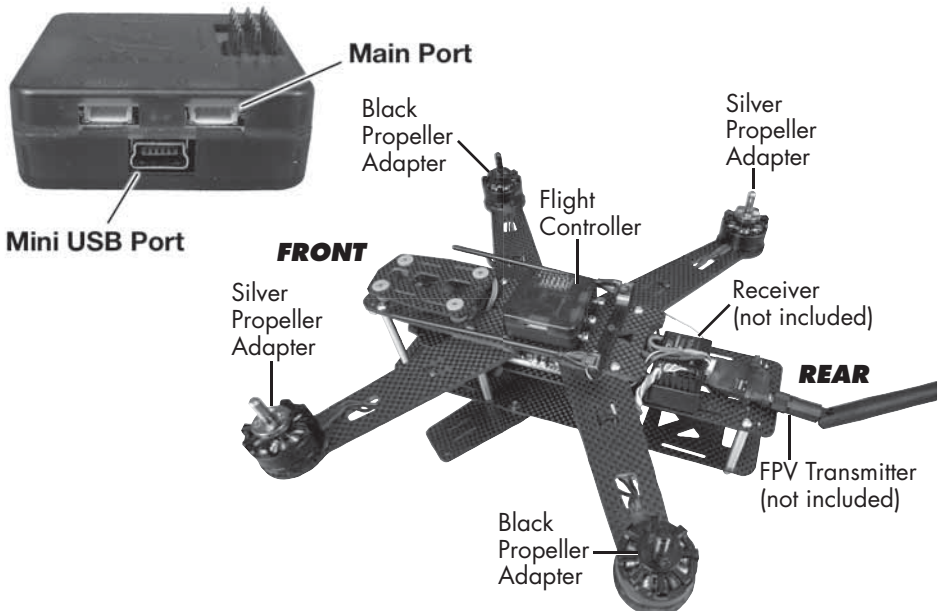
**NOTE:** Battery pad is not included

### PROP ADAPTER INSTALLATION

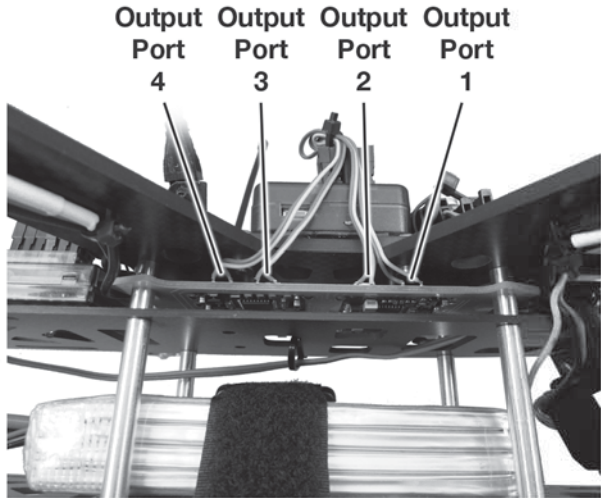
The silver prop adapters should be installed on the front left and rear right motors. The black prop adapters should be installed on the front right and rear left motors. Please use a threadlocking compound on the screws.

### FLIGHT CONTROLLER INSTALLATION

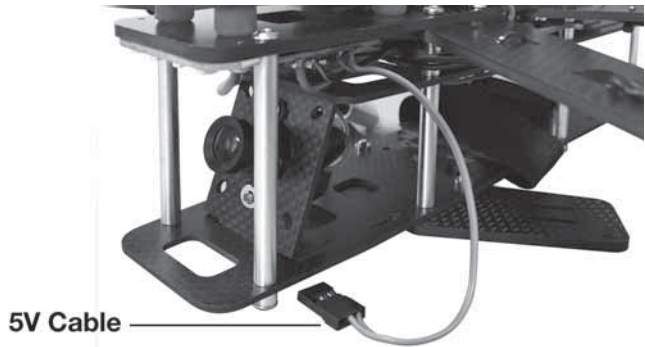
When installing the Flight Controller (FC), be sure to orient the case so the **Mini USB Port** is facing the back of the quadcopter. Apply the mounting tape to the bottom of the flight controller and place it at the center of the frame.



The 4 ESC wires need to be plugged into the Output ports 1–4 on the FC. Refer to the following photo to identify the correct cable for each port. The brown wires for the plugs should be in the “-” column at the edge of the FC.



The 5V power cable should be plugged into Output port 5 or 6 with the brown wire in the “-” column.



## RECEIVER

Attach the receiver to the top deck using double sided tape. Route the antennas into the tubes. Extend the tubes prior to flight.