

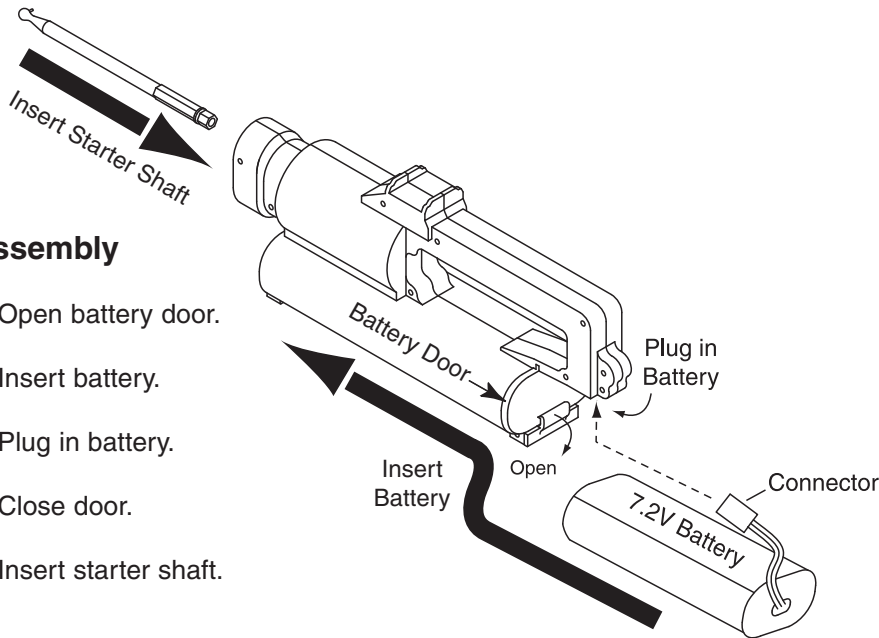
# Super Start RTR™

## Assembly & Operating Instructions

ITEMS REQUIRED: 6-Cell battery (DTXC2010) and Charger (HCAP0117)

### Assembly

1. Open battery door.
2. Insert battery.
3. Plug in battery.
4. Close door.
5. Insert starter shaft.



### Operation

1. Turn on the radio system and check for proper operation.
2. Install the glow plug igniter.
3. Insert the starter shaft into the engine adapter unit and press the starter switch to activate.

**Note:** Stop the starter if the engine does not start within 10 seconds or if it becomes more difficult to turn-over. If the engine does not start, recheck the needle settings, glow plug or clear out the flooded engine according to the manufacturer's recommendations and retry.

4. Once the engine starts release the starter switch, remove the starter shaft and glow plug igniter.

