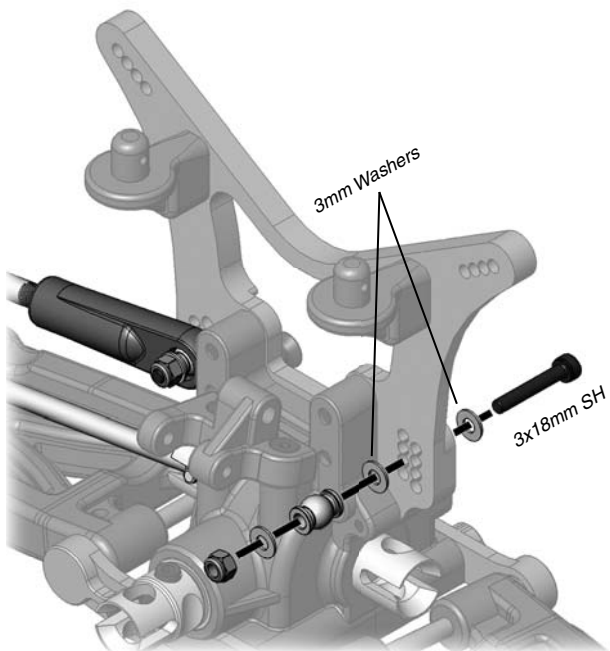


Z01T Tech Notice



For added durability, add a 3mm washer on each side of the shock tower where the inner camber links mount.