

# R/C MicroSizers™

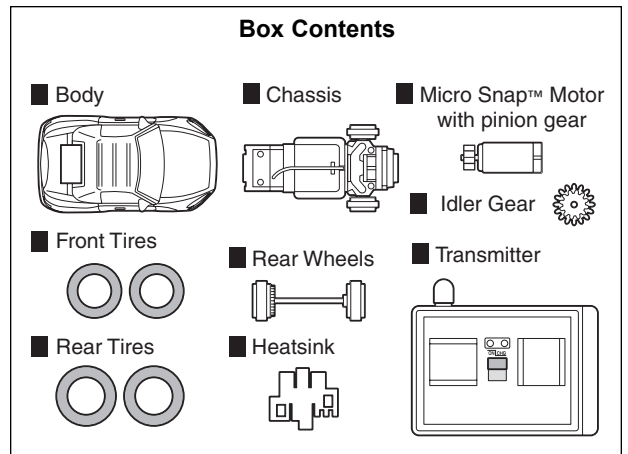
by **HOBBIKO**

## Instruction Manual for models 0401 - 0419

**IMPORTANT: Please read all instructions thoroughly before operating your vehicle.**



One body style included per kit. Collect them all!



### General Safety Precautions

R/C MicroSizers are recommended for ages 8 and older. To ensure the safety and fun of young modelers, please follow these operating instructions and general safety rules:

- Adult supervision is recommended.
- Do not allow children under age 3 to play with the R/C MicroSizers or radio transmitter. The model contains small parts which could accidentally be swallowed and cause suffocation.
- Keep hair, loose clothing, face and fingers away from the tires and wheels while the model is running.
- The transmitter's antenna could also cause injury if played with violently or looped around the neck.
- Never operate your R/C MicroSizers on streets or in any areas where full-size vehicles are.
- Do not pick up your R/C MicroSizers when it is in motion.
- R/C MicroSizers were designed for indoor use only. Outdoor use may lead to failure due to dirt and dust.
- Do not run your R/C MicroSizers on rugs or carpeting. The fibers may become tangled in the model and cause damage or failure.
- Never charge, run or store your R/C MicroSizers in a location subject to high temperatures, low temperatures or high humidity. Do not store in direct sunlight.
- To avoid electronic malfunction, do not allow the car to become wet. Short circuits will produce a very strong electrical current. Should your R/C MicroSizers become wet, stop using it immediately.
- Never attempt to disassemble or solder the model. Do not put it into fire.
- Do not drop your R/C MicroSizers from high places.

### R/C MicroSizers Service Center

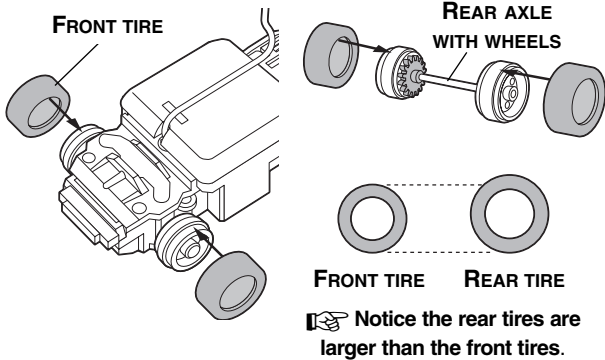
We're eager to help you get the most enjoyment from your R/C MicroSizers. If you have any problems with assembly or operation, please do not return your model to the store. Check our website first. Many easy solutions are available there 24 hours a day, 7 days a week.

**[www.microsizers.com](http://www.microsizers.com)**

Or, call the R/C MicroSizers Service Center at 1-866-HOBBIKO (1-866-462-2426), Monday through Friday, 9:00 am - 5:00 pm Central Time. We've backed your model by a 90-day satisfaction guarantee, so you can be confident of its quality. Happy racing!

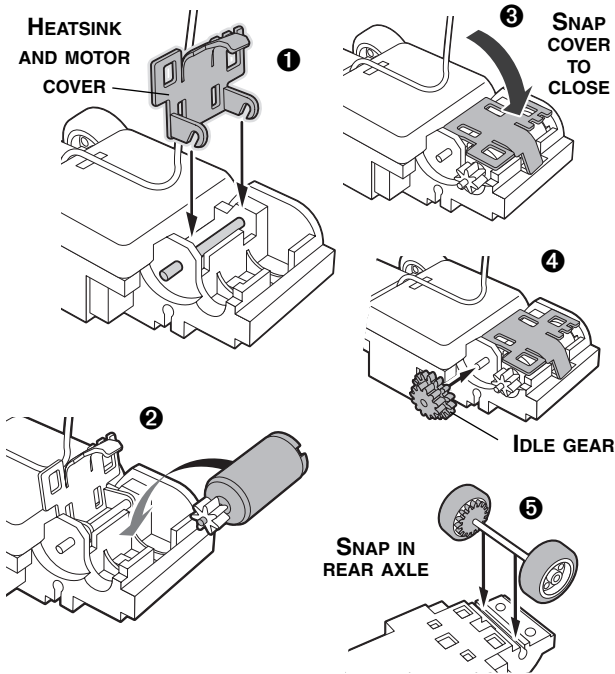
## How to assemble your R/C MicroSizers vehicle

### STEP 1: Install the tires.

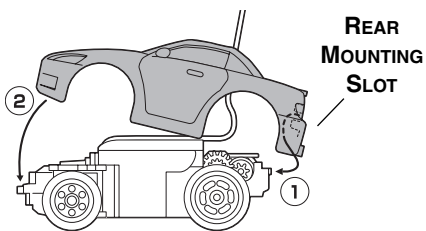


After installing the rubber tires, make sure they are flat against the wheels.

### STEP 2: Install the heatsink, motor and rear axle with wheels.

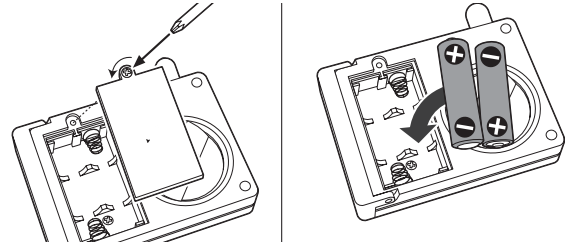


### STEP 3: Mount the body.



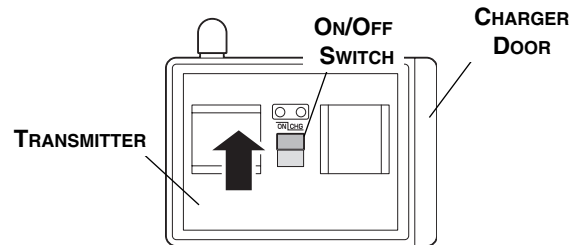
- ① Thread the antenna through the hole in the back window.
- ② **First**, fit the slot in the rear of the body over the tab at the **back** of the chassis. **Then** snap the front in place.
- ③ For maximum control (8 to 10 ft. [2.4-3.0m] range), extend the antenna wire straight up.

## How to install the batteries

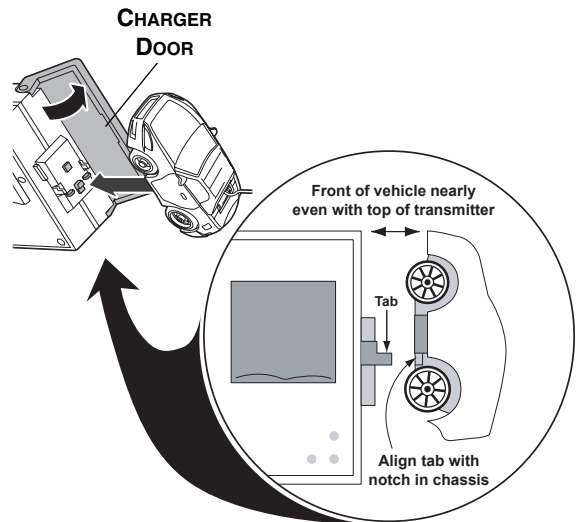


- ① Remove the battery cover screw with a Phillips screwdriver.
- ② Install your batteries with the correct polarity. This transmitter requires 2 "AA" alkaline batteries. Never use other types of batteries.
- ③ Replace the battery cover and tighten the screw.

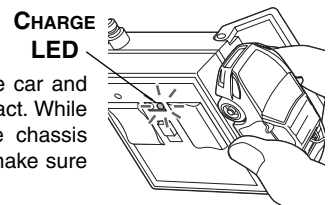
## How to charge the vehicle



- ① Set the transmitter switch to ON.



- ② Open the cover on the right side of the transmitter. Position the car with the headlights pointing up. The nose of the car should be nearly even with the top of the transmitter. Align the tab with the notch in the chassis and snap the vehicle onto the charger.



- ③ The metal contacts on the car and the charger must make contact. While charging, keep pressing the chassis against the transmitter and make sure the CHG light is on.
- ④ The LED (CHG) on the front of the transmitter will light for 45 seconds. When it goes out, the battery has completed charging.

☞ If the car is attached **before** the transmitter is switched on, the car **will not** charge.

## Important Battery Information

### Car Battery Care

A rechargeable battery has been built in to the main body of the car. Using the battery incorrectly will cause it to leak, rupture or ignite. Follow these precautions:

- If your R/C MicroSizers has been unused for a long period or you are charging its built-in battery for the first time, the battery may not charge to full capacity. This does not indicate battery failure. Recharging and running the model 4 or 5 times will gradually lengthen run times.
- Fully discharge the battery by running the car before recharging.
- Charge the battery only when the car is NOT running. To prevent overcharging, never recharge a battery which has already been fully charged. This will not increase running speed.
- Recharge the battery only with the transmitter's built-in charger.
- If the chassis becomes warm, let it cool before running again.

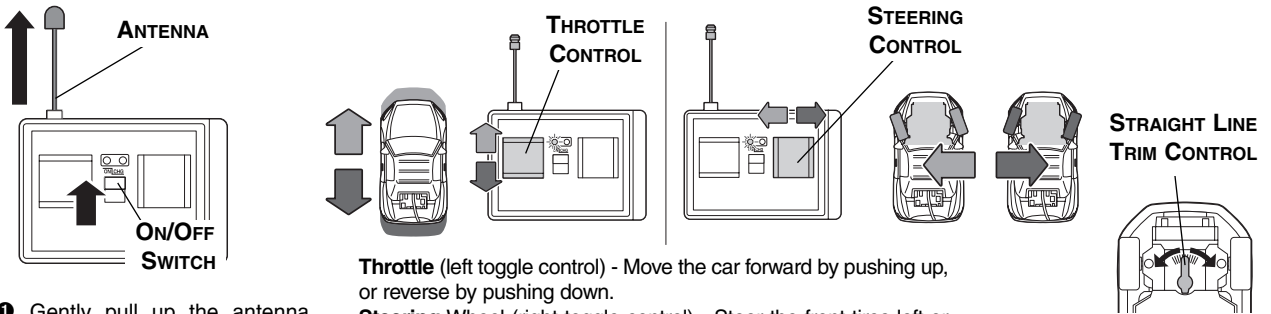
This product uses a NiCd battery. NiCd batteries are recyclable, and a valuable resource. To dispose of the battery, remove it and take it to a recycling center.

### Transmitter Battery Care

Always use AA alkaline batteries. If improper batteries are used in the transmitter, they may become hot, leak and may rupture. Follow these precautions:

- Never use rechargeable batteries, such as NiCds, in the transmitter.
- Do not mix different types of batteries, or old and new batteries.
- When changing batteries, replace ALL of the old batteries with new ones.
- Make sure the batteries are installed with the correct polarity as shown in the battery compartment.
- Do not charge or disassemble your transmitter batteries. Never allow them to become hot or to burn. To avoid short-circuits, avoid getting them wet.
- If liquid from inside the batteries contacts your skin or clothes, wash them with water. If leaked battery fluid gets into your eyes, flush them immediately with cool water and seek medical attention. Do not rub eyes.
- You can race about 50 times with new AA alkaline batteries.

## How to race



- 1 Gently pull up the antenna by hand. **Never** attempt to extend the antenna by turning or pushing the dial on the back of the transmitter.

- 2 Turn on the transmitter switch.

**Throttle** (left toggle control) - Move the car forward by pushing up, or reverse by pushing down.

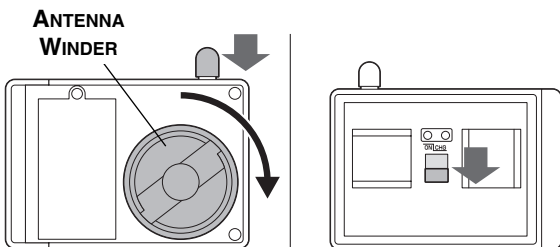
**Steering Wheel** (right toggle control) - Steer the front tires left or right by pushing the right toggle control.

By operating the toggle controls on both the right and left simultaneously, the car can move forward-right, forward-left, reverse-right, or reverse-left.

To race, each car must be on a different frequency.

If the car does not go straight when pushing the left toggle control up, move the trim lever on the bottom of the chassis to the left or right to make adjustments.

## After racing



- 1 Turn the winder on the back of the transmitter to store the antenna. Do not force the antenna back inside the transmitter by hand.

- 2 Switch the transmitter off. Always turn the switch off when not in use to extend your battery life.

**Racer's Tip:** The secret to maximum control is in the clicking of the toggles. It's just like a video game!

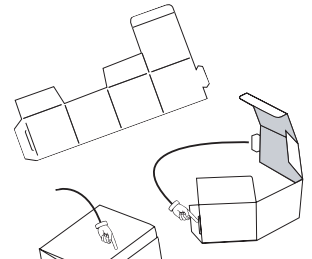
## How to assemble game cubes

### CUBE ASSEMBLY

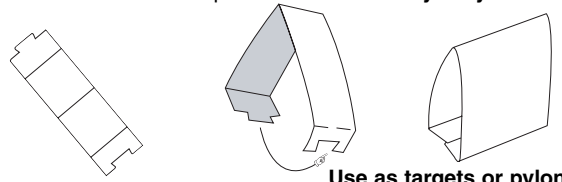
- 1 Punch the cube from the accessory sheet.
- 2 Fold along the creases. Insert tabs into slots to lock the cube together.
- 3 Tuck down the flap.

### TRIANGLE ASSEMBLY

- 1 Punch the triangles from the accessory sheet.
- 2 Fold and lock into shape.



**Ready for your track!**



**Use as targets or pylons!**

## Troubleshooting

Symptom	Probable cause	Correction
<b>CAR DOES NOT RUN</b>	Transmitter battery capacity is low, or no batteries have been installed.	Install two brand-new "AA" alkaline batteries (they MUST be alkaline).
	Transmitter is not switched on.	Move the switch of the transmitter to "ON". Then, charge the car and race.
	Model is not assembled correctly.	Reassemble it correctly, paying close attention to the instruction steps.
	Radio signals don't seem to reach the model.	Fully extend the antenna. Maximum range is 8 to 10 feet [2.4-3.0m].
	Motor/battery life has expired.	Replacement motors are sold separately.
<b>CAR DOES NOT OPERATE PROPERLY</b>	Is there dust on the tires and/or wheels?	Remove dust/lint from the tires and wheels.
	Is the trim lever in a straight position?	Adjust the trim lever until the car moves straight ahead.
	Are you driving your car on a rug?	R/C MicroSizers are not intended for running on rugs or carpets.
<b>CAR MOVES UNCONTROLLABLY</b>	Interference from reflected radio waves	Turn off electronic devices or move to a different location.
	Are you running with another car on the same radio frequency?	Each car must be on a different frequency.

This device complies with Part 15 of the FCC rules. Operation is subject to the following two conditions: (1) This device may not cause harmful interference, and (2) this device must accept interference received, including interference that may cause undesired operation. The manufacturer is not responsible for any radio or TV interference caused by unauthorized modifications to this equipment. Such modifications could void the user's authority to operate the equipment.

Meets Canada 210 requirements. **Carrier Frequency:** 27.145MHz Power: 2µV/m **Carrier Frequency:** 49.860MHz Power: 4µV/m

## Customize your R/C MicroSizers

Use the optional parts and accessories listed here (available separately) to boost the performance of your R/C MicroSizers.

Micro Snap Motor 1.0 .....HCAC1302 Micro Snap Motor 2.2 .....HCAC1301 Micro Snap Motor 2.6 .....HCAC1305 Wheel and Gear Tuning Set .....HCAC1303 Tuneup Set .....HCAC1304 Tire Set .....HCAC1312 Heatsink Motor Cover .....HCAC1313 Table Top Guide Rail Set .....HCAC1201 (6 curved, 4 straight, and 2 corner guard rails) Table Top Pylon Set (5 yellow and 5 red pylons) ... .HCAC1202	Digital Lap Counter .....HCAP0002 MicroSizers Pit Case .....HCAP0003 Honda S2000 Bodies (Red and clear, 2 bodies) ... .HCAC1001 Nissan Skyline Bodies (Black and clear, 2 bodies) . .HCAC1002 Mazda RX-7 (Blue and clear, 2 bodies) .....HCAC1003 Toyota Celica (Red and clear, 2 bodies) .....HCAC1004 Honda Accord (Silver and clear, 2 bodies) .....HCAC1006 Toyota bB Open Deck (Silver and clear, 2 bodies) . .HCAC1007 27MHz Speed Set .....HCAC1104 49MHz Speed Set .....HCAC1105
--	---

## Creating a track

Optional R/C MicroSizers track accessories (sold separately) make it easy to set up an exciting race course.

- Use the colorful course barriers to mark out your race track.  
(Table Top Guide Rail Set - HCAC1201)
- Use the miniature pylons to test your MicroSizers maneuvering skill.  
(Table Top Pylon Set - HCAC1202)

