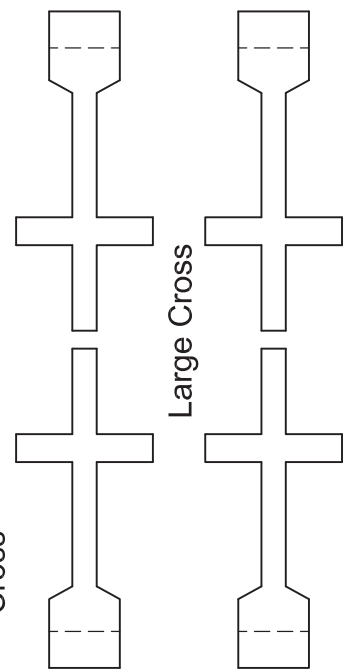


Medium Cross

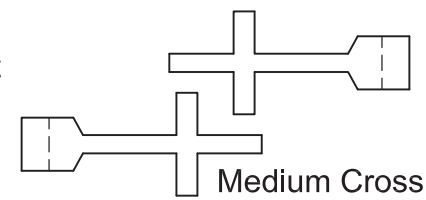
Nuestra Senora Cross



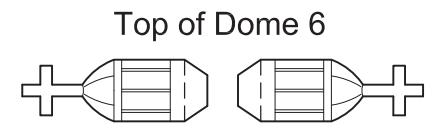
Nuestra Senora Cross

Large Cross

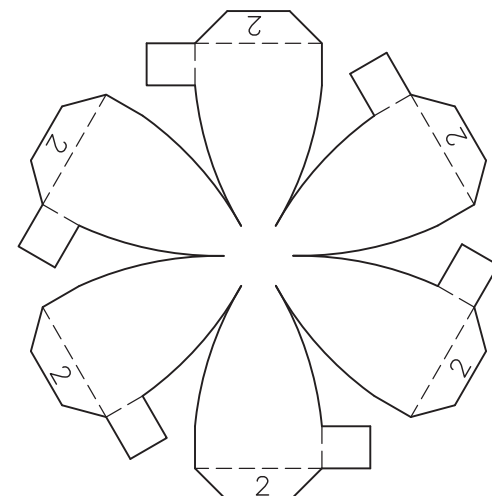
For better strength, cut out two crosses and glue them together.



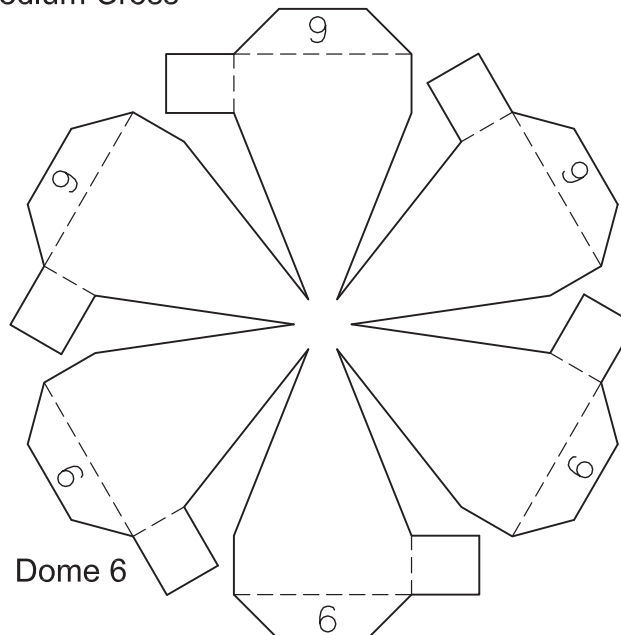
Medium Cross



Top of Dome 6

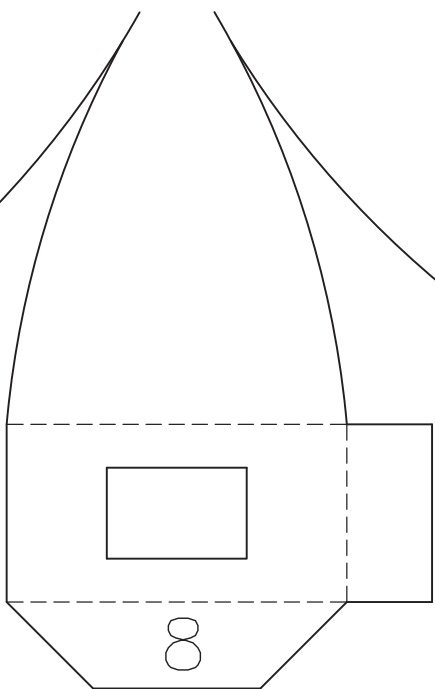
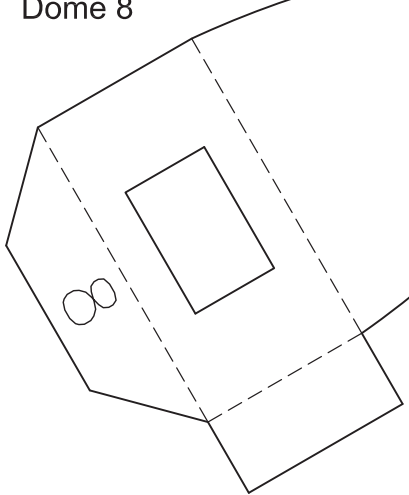


Dome 2

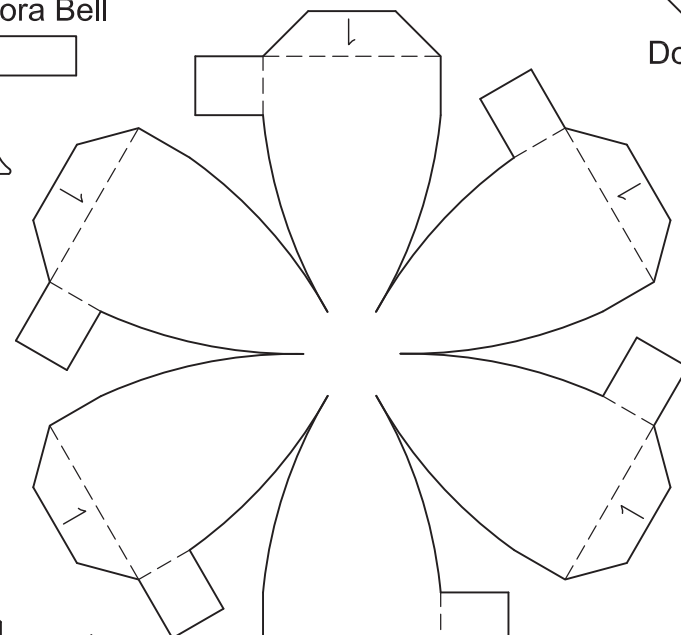
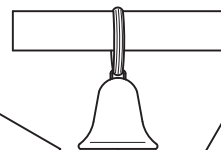


Dome 6

Dome 8

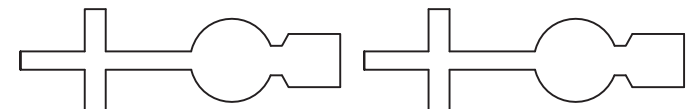
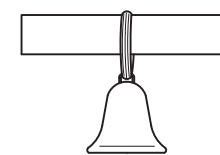


Nuestra Senora Bell



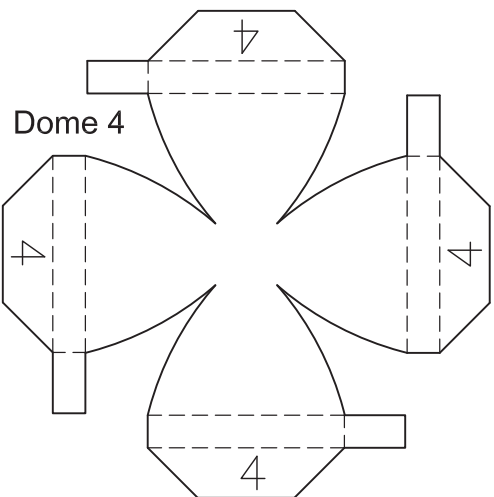
Dome 1

Nuestra Senora Bell

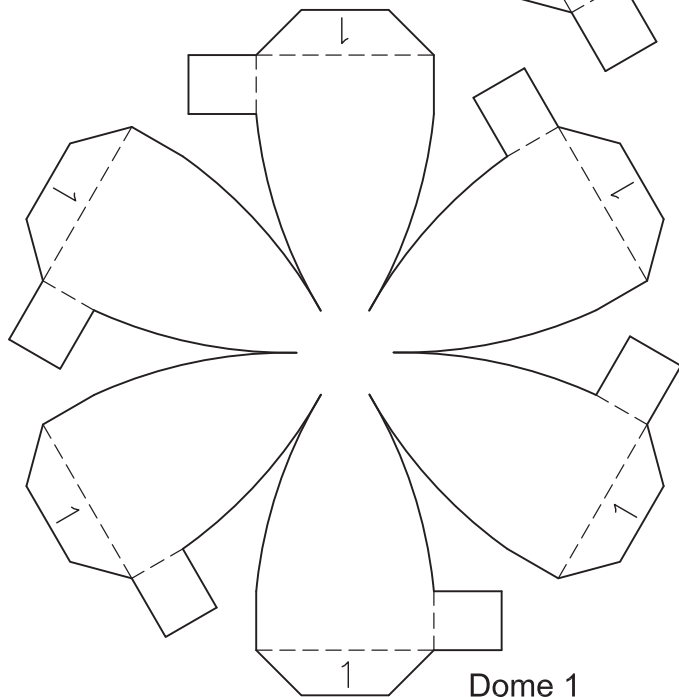
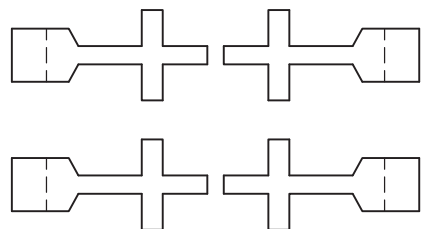


Capistrano Front Cross

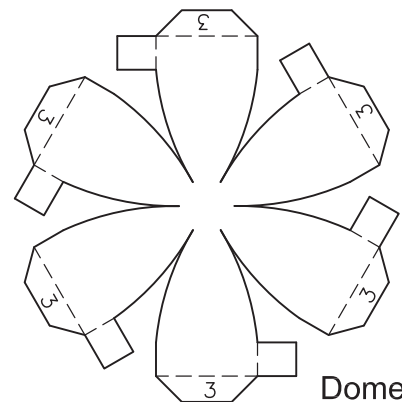
Dome 4



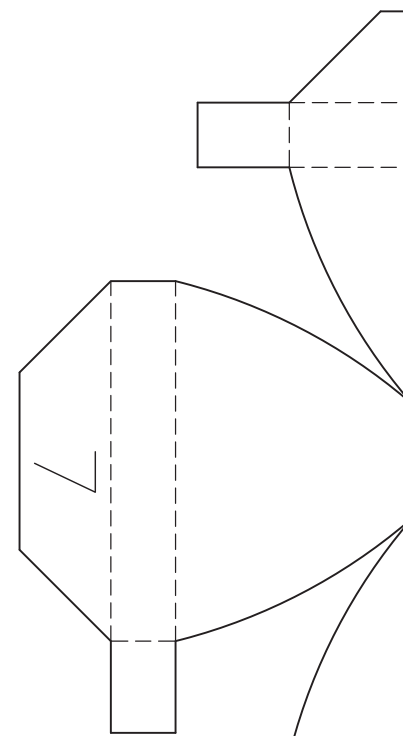
Small Cross



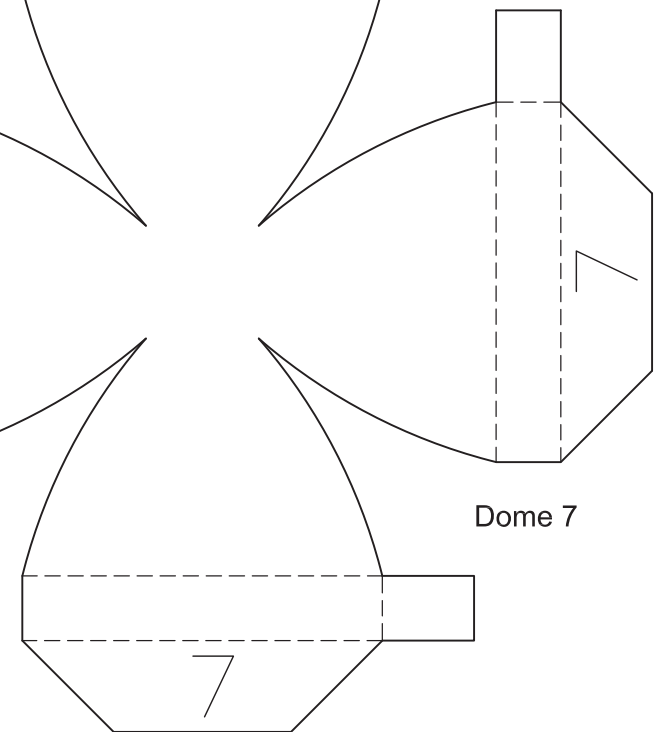
Dome 1



Dome 3



Dome 7



Mission Domes