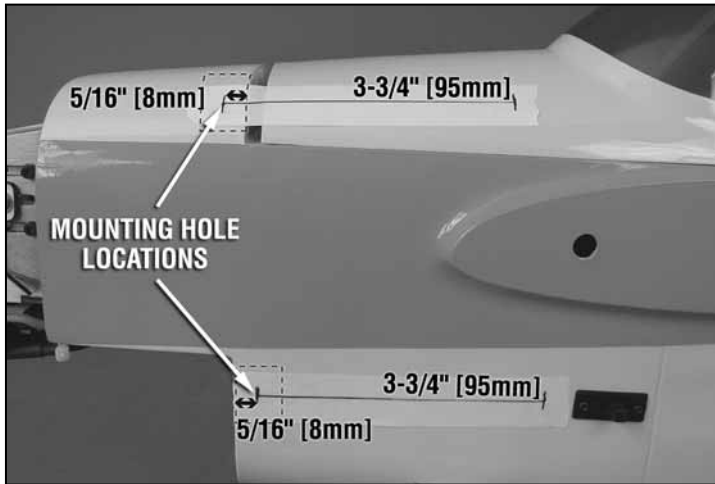


"Shoestring"

Please follow this instruction manual correction when assembling your Shoestring Sport Racer.



On Page 22, Step 6: The cowl mounting blocks may not be positioned as originally shown. Mark the block location 5/16" (8mm) in from the indented areas on the fuselage exterior (see above photo). Next, with the canopy hatch removed, view the blocks from the inside. Find and mark their centers on the outside of the fuselage.