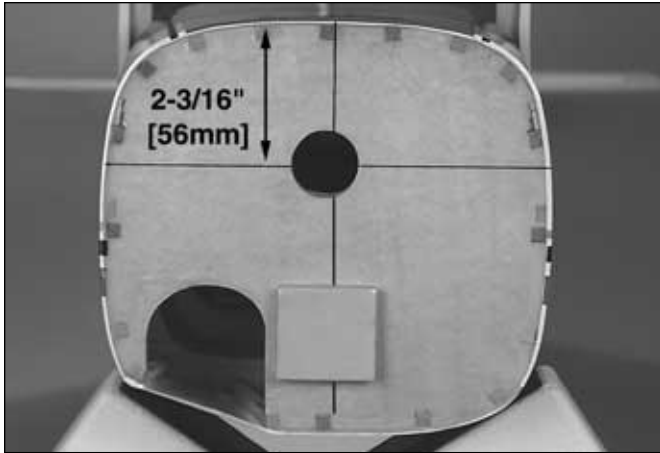


## Cessna 182 Skylane™ ARF INSTRUCTION MANUAL CORRECTION

Replace step 2, on page 9 in the instruction manual with this step:



2. Draw a **horizontal** line on the firewall 2-3/16" [56mm] from the top of the fuselage. Draw a **vertical** line on the firewall along the left side of the top and bottom stringers as shown in the photo.

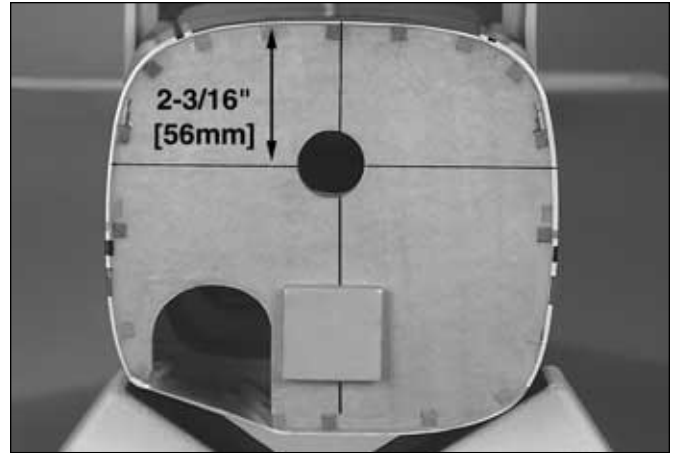


Printed in USA © Copyright 2000

GPMZ0203 for GPMA1228

## Cessna 182 Skylane™ ARF INSTRUCTION MANUAL CORRECTION

Replace step 2, on page 9 in the instruction manual with this step:



2. Draw a **horizontal** line on the firewall 2-3/16" [56mm] from the top of the fuselage. Draw a **vertical** line on the firewall along the left side of the top and bottom stringers as shown in the photo.

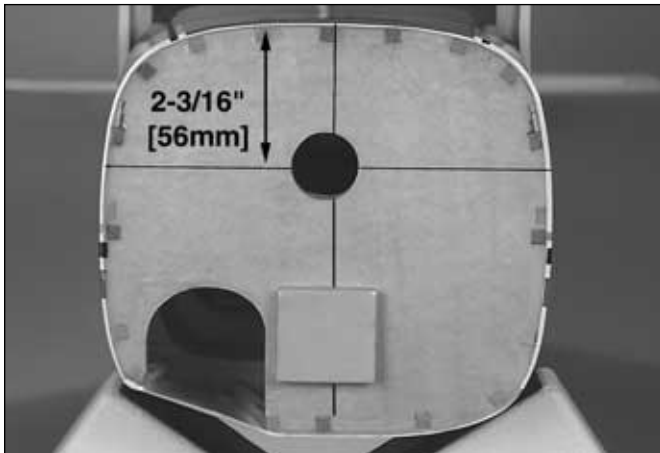


Printed in USA © Copyright 2000

GPMZ0203 for GPMA1228

## Cessna 182 Skylane™ ARF INSTRUCTION MANUAL CORRECTION

Replace step 2, on page 9 in the instruction manual with this step:



2. Draw a **horizontal** line on the firewall 2-3/16" [56mm] from the top of the fuselage. Draw a **vertical** line on the firewall along the left side of the top and bottom stringers as shown in the photo.

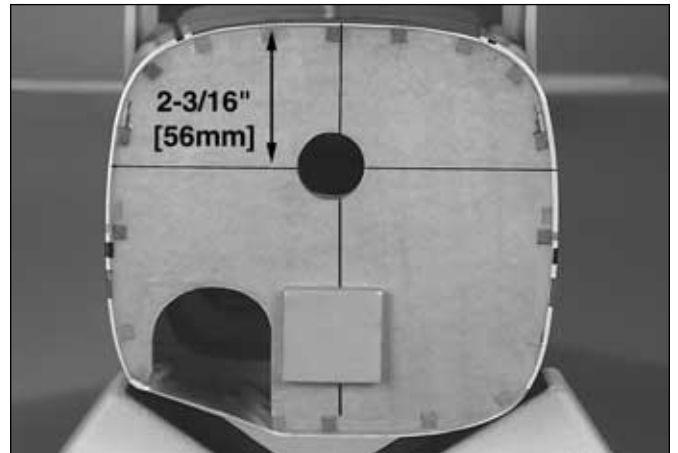


Printed in USA © Copyright 2000

GPMZ0203 for GPMA1228

## Cessna 182 Skylane™ ARF INSTRUCTION MANUAL CORRECTION

Replace step 2, on page 9 in the instruction manual with this step:



2. Draw a **horizontal** line on the firewall 2-3/16" [56mm] from the top of the fuselage. Draw a **vertical** line on the firewall along the left side of the top and bottom stringers as shown in the photo.



Printed in USA © Copyright 2000

GPMZ0203 for GPMA1228