

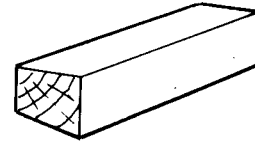
BOLT ON WING OPTION

Supplement sheet #2453

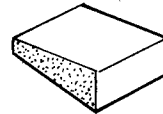
Use these instructions for installing Wing Bolts rather than Rubber Bands that is described in the PROTÉGÉ Manual.

- | | |
|------------------------------------|----------|
| (2) 6-32 x 1-1/4" socket head bolt | PT #1024 |
| (2) 6-32 blind-nut | PT #1124 |
| (2) #6 x 3/4" washer | PT #1144 |

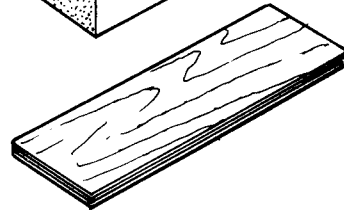
- | | |
|---|----------|
| Sawed part: | |
| (2) Bolt-on wing filler
(5/8" x 15/32" taper x 3/4" x 2" basswood) | PT #4901 |



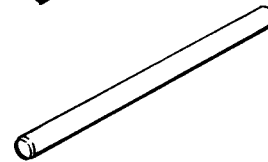
- | | |
|---|----------|
| (2) Bolt-on spacer
(1/2" x 3/32" taper x 1-3/8" balsa) | PT #4908 |
|---|----------|



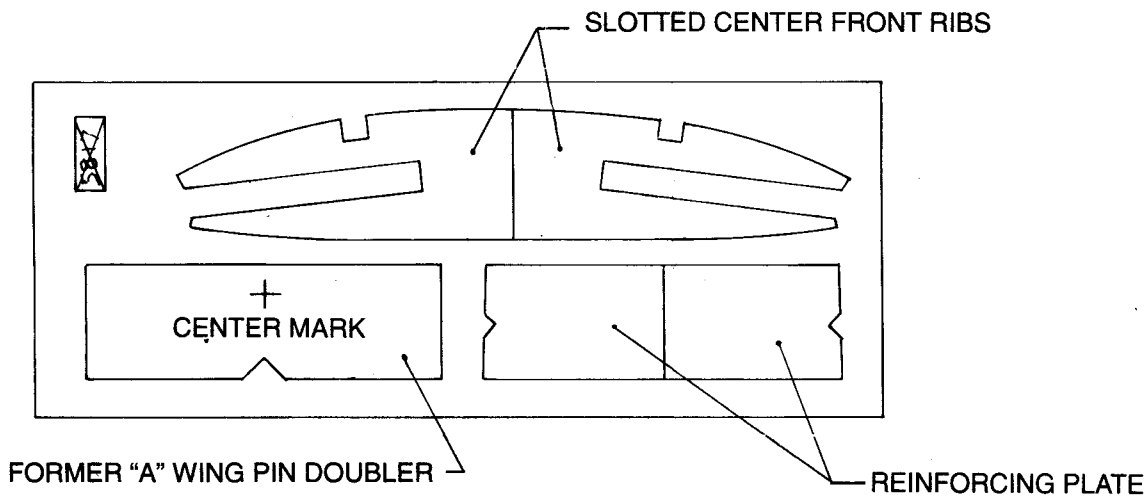
- | | |
|--|----------|
| (1) Blind-nut mounting plate
(1/4" x 1-1/4" x 3-27/32" birch ply) | PT #4909 |
|--|----------|



- | | |
|--------------------------|----------|
| (1) 5/16" x 3-3/8" Dowel | PT #1749 |
|--------------------------|----------|

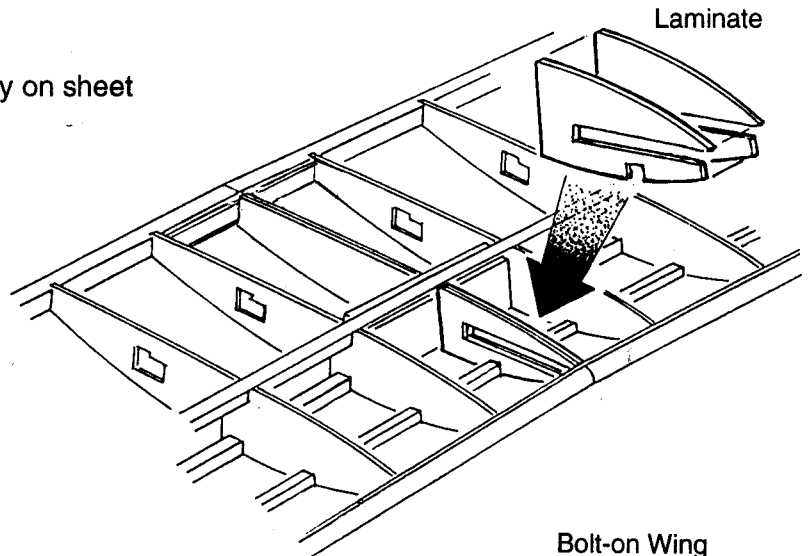


(1) PT. #4910, D/C SHT. 5817

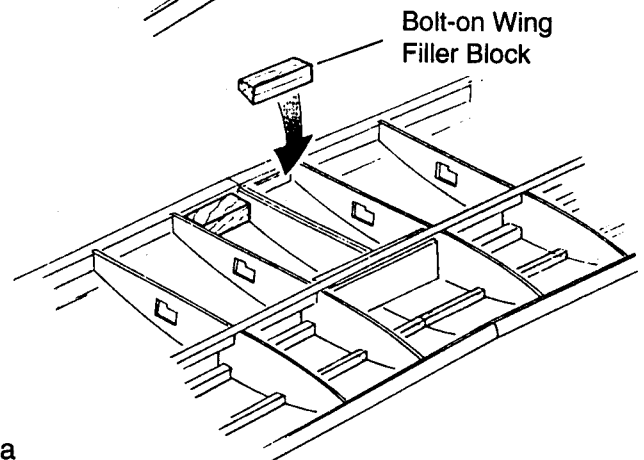


Wing construction P. 22, STEP 22

1. Laminate 2 slotted center front ribs (Lite-Ply on sheet 5817).

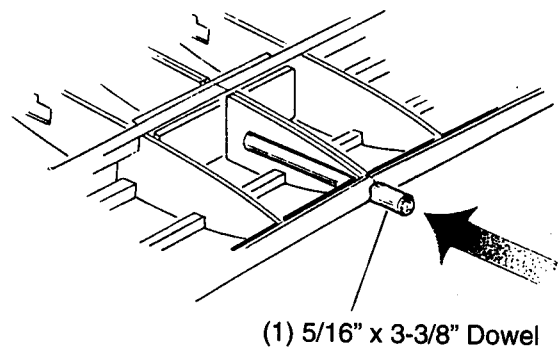


2. SuperJet the Bolt-On Wing filler blocks (Basswood).



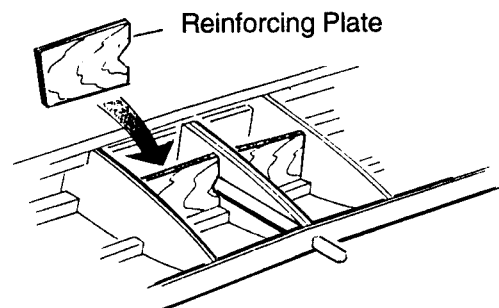
3. Drill an 1/4" hole in center of wing leading edge. Using a round file, open hole to fit slots in slotted center front ribs.

4. Insert the 5/16" X 3 3/8" Birch dowel.



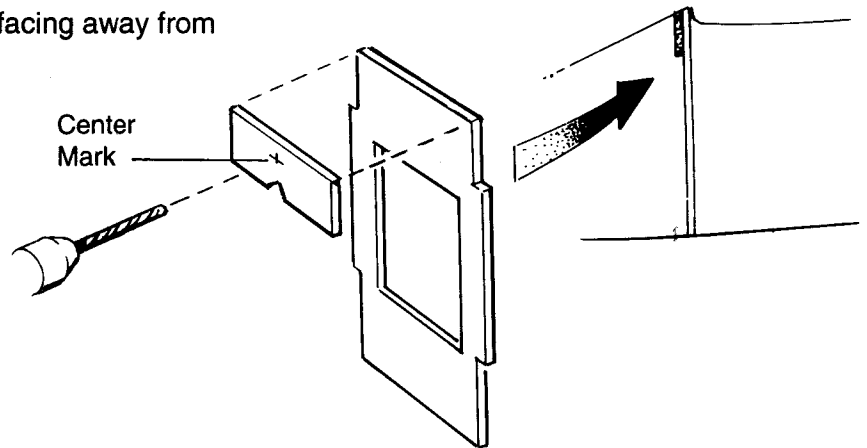
5. Fit the reinforcing plates (Lite-Ply on sheet 5817).

6. After step 4 & 5 is complete and you're satisfied with the fit, SuperJet slotted center ribs, dowel, and reinforcing plate as a complete assembly.



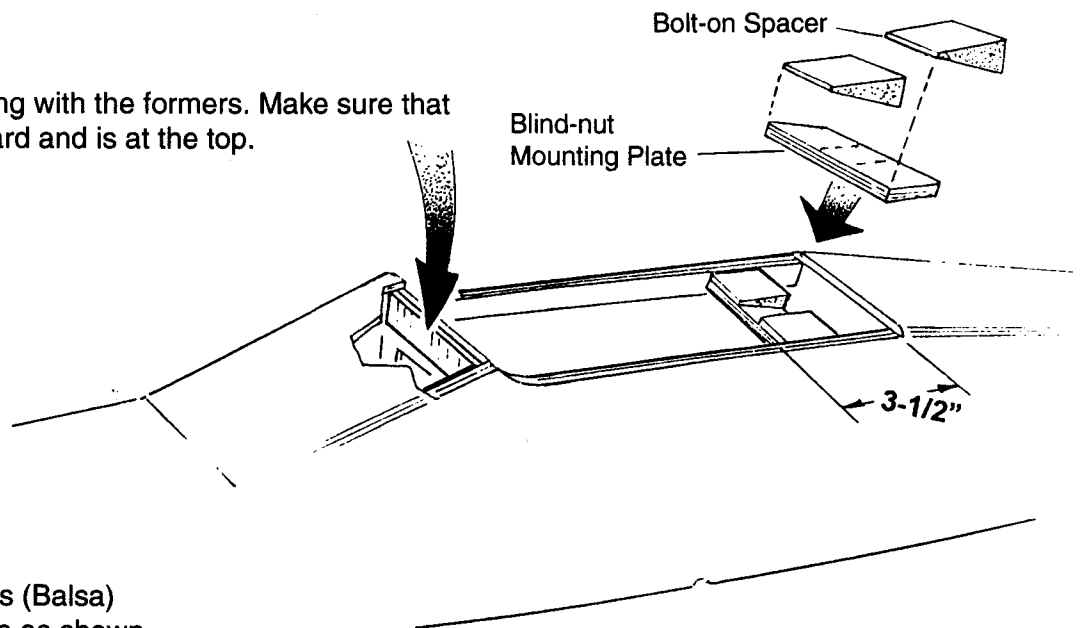
Fuselage Construction P. 30, STEP 8A.
Former "A" Modification

7. Glue the former "A" wing pin doubler to the former "A".
NOTE: "V" notch is to the bottom and facing away from the wing, and center is exposed.



8. Drill a 5/16" hole through the doubler and former "A", at the center mark.

9. Stall the former "A" along with the formers. Make sure that the doubler faces forward and is at the top.

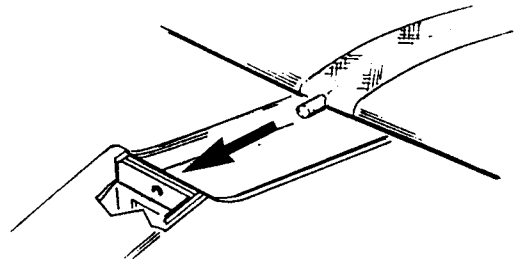


10. Glue the wedge spacers (Balsa) on to the mounting plate as shown.

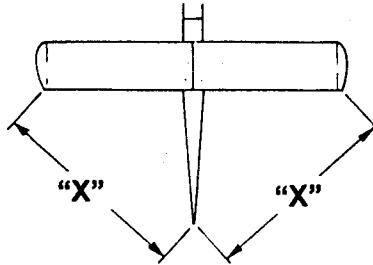
11. Locate the mounting plate assembly into the fuselage 3 1/2" from former "B" to the front of the plate and flush with the top of the wing saddle, as shown.

Fuselage Construction P. 32, STEP 13A

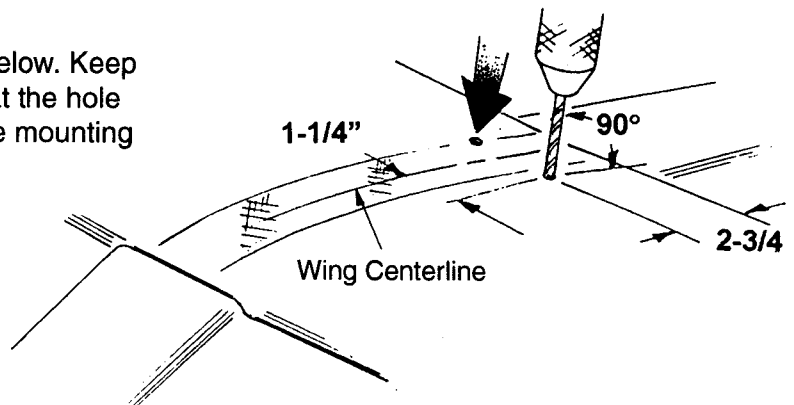
12. Position the wing onto the wing saddle, inserting the $\frac{5}{16}$ " wing pin into former "A". You may need to file the hole to achieve a tight fit.



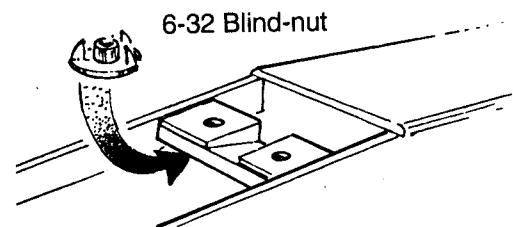
13. Square the wing to the fuse as shown.



14. Drill $\frac{5}{32}$ " holes (2) to the dimensions shown below. Keep the holes perpendicular to the top of the wing at the hole locations. Drill the holes completely through the mounting plate.



15. Install the 6-32 blind nuts (2) into the bottom side of the mounting plate.



16. Test bolt the wing to the fuselage and check to see if wing is square.

17. Remove the wing and proceed.