

R614FS

FASST-2.4GHz System Diversity 4-Channel Receiver for Model Car



⚠ WARNING

⊘ **NEVER** use dry batteries for the power supply of the R614FS as this may cause difficulties with the receiver's operation.

⚠ Wrap the receiver with something soft, such as foam rubber, to avoid vibration. Do not splash water over the receiver.

⚠ Since the receiver generates a certain amount of heat, install the place with good ventilation.

Thank you for purchasing the R614FS receiver.

The R614FS is designed for use with the Futaba FASST-C2 system transmitter. The FASST system has two(2) operation mode as shown below.

•Normal mode/High Speed mode

The "Normal mode" accepts any type of servos or the peripheral. The "High Speed mode" only accepts the digital servos, including BLS series, and most peripheral equipments such as the brushless ESCs. However, there is a transmitter that cannot correspond, too.

Please pay special attention to the information contained within this manual and transmitter's manual in order to have a pleasant running/flying experience.

The R614FS is compatible with the FASST-C2 system transmitters.

The R614FS is equipped with the diversity antenna.

The R614FS selects either the outer antenna or the inner antenna which has better reception of signal.

Link Procedure

Each transmitter has an individually assigned, unique ID code. In order to start operation, the receiver must be linked with the ID code of the transmitter with which it is being paired. Once the link is made, the ID code is stored in the receiver and no further linking is necessary unless the receiver is to be used with another transmitter.

- 1** Place the transmitter and the receiver close to each other within half (0.5) meter.
- 2** Turn on the transmitter and the receiver.
- 3** Push and hold the Link switch on the receiver.
- 4** When the link is complete, the LED on the receiver changes to solid green.

* Please refer to the table below for LED status and receiver condition.

No signal reception	LED: Red
Receiving signals	LED: Green
Receiving signals, but ID is unmatched.	LED: GreenBlink
Unrecoverable failure (EEPROM, etc.)	LED: Red and Green turn on alternately

* If there are many FASST systems turned on around your receiver, it might not link to your transmitter. In this case, even if the receiver's LED stays solid green, unfortunately the receiver might have established a link to one of the other transmitters. This is very dangerous if you do not notice this situation. In order to avoid the problem, we strongly recommend you to double-check whether your receiver is controlled by your transmitter by giving throttle input, etc. and then checking servo response.

⚠ WARNING

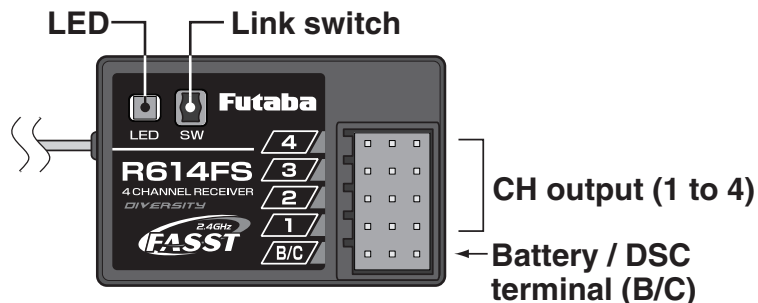
⚠ After the linking is done, please cycle receiver power and check if the receiver to be linked is really under the control by the transmitter to be linked.

⊘ Do not perform the linking procedure with motor's main wire connected or with the engine operating as it may result in serious injury.

Note: The R614FS is compatible with the FASST-C2 system transmitters (Futaba T4PK/T4PKS).

The receiver type setting of the transmitter is set in FASST-C2.

*Futaba FASST system does not work with current Futaba S-FHSS/FHSS system.



R614FS Specifications:

(FASST system, 4-channel receiver)

- Receiving on 2.4GHz band
- System: FASST-C2 system
 - At Normal/High speed mode (auto detection)
- Power requirement Rated voltage: 3.7V-7.4V / Usable voltage: 3.5-8.4V
- F/S and Battery F/S function: It is set according to the transmitter used.
- Battery F/S voltage: Set it with the transmitter arbitrarily.
- Size: 1.38x0.91x0.33" (35.1x23.2x8.5mm)
- Weight: 0.28oz. (8g)

Compliance Information Statement (for U.S.A.)

This device, trade name Futaba Corporation of America, model number R614FS, complies with part15 of the FCC Rules. Operation is subject to the following two conditions:

- (1) This device may not cause harmful interference, and
- (2) This device must accept any interference received, including interference that may cause undesired operation.

The responsible party of this device compliance is:

Futaba Service Center
 3002 N Apollo Drive Suite 1, Champaign, IL 61822 U.S.A.
 TEL (217)398-8970 or E-mail: support@futaba-rc.com (Support)

Usage condition on "High Speed mode"

⚠ CAUTION

⚠ When using the high-speed mode, use a Futaba digital servo (including brushless servo). Analog servos cannot be used.

•The use of analog servos may cause servo trouble.

Operating Precautions:

Once the R614FS detects the FASST normal mode or FASST high speed mode, the detected mode is locked as long as the power is ON. When need to change the mode, please cycle power.

FUTABA CORPORATION

1080 Yabutsuka, Chosei-mura, Chosei-gun, Chiba-ken, 299-4395, Japan
 Phone: +81 475 32 6982, Facsimile: +81 475 32 6983