

Thank you for purchasing a CIU-2.

The CIU-2 is a USB interface for communications between Link supported devices and a Windows computer.

### Notes

- Please read this manual thoroughly before using your CIU-2.
- Store this manual in a safe place where it can be accessed at any time.

**\*A 500mm extension cord is supplied with the CIU-2.**

- Reproduction of all, or part, of the contents of this manual without prior written permission is prohibited.
- The contents of this manual are subject to change without prior notice.
- The contents of this manual should be complete, but if you find any errors or unclear points, please contact us.
- Futaba will not be responsible for the results of use of devices by the customer.

\*Windows is registered trademark of Microsoft Corporation.

### Specifications

(Specifications and ratings are subject to change without prior notice accompanying technological developments.)

- |                     |   |                          |                                     |
|---------------------|---|--------------------------|-------------------------------------|
| • Interface         | : USB Rev1.1 compliant                  | • Operating environment: | Temperature -10 ~ 50degrees Celsius |
| • USB connector     | : USB Series A connector                | • Dimensions             | : 18.2 X 56.5 X 9.0 mm              |
| • Operating voltage | : 5.0V $\pm$ 0.2V (USB bus power)       | • Weight                 | : 7.5g                              |
| • Current drain     | (At connection, idle): 12.3 $\pm$ 2.0mA | • Applicable OS          | : Windows Vista/XP/2000             |

\*The PC must have a USB port (Type A).

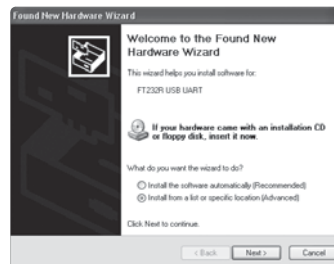
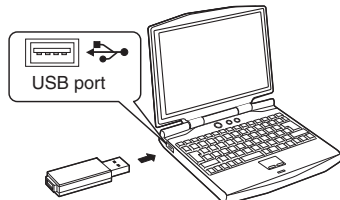
### Drivers and Link programs must be installed.

- To use the CIU-2, drivers must be installed.
  - For communication and setting, Link programs corresponding to each device must be installed.
- Install the drivers and Link programs available on the dealer's website.

## Connecting and disconnecting the PC and CIU-2

### Connection

1. Turn on the PC power.
2. Connect the CIU-2 to the USB port of the PC.
3. When the CIU-2 is first connected to the PC; the "Found New Hardware Wizard" shown at the right is displayed. Install the drivers downloaded from the dealer's website.

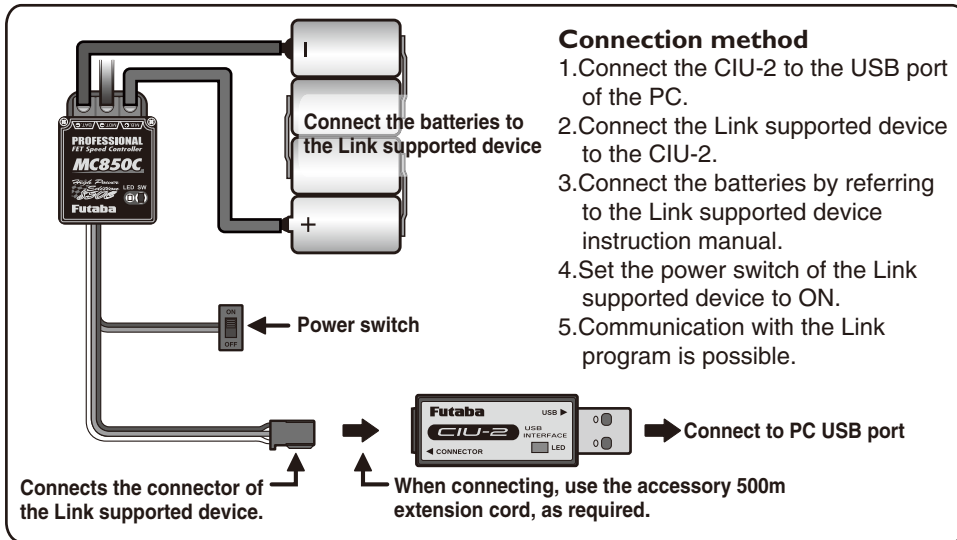


### Disconnection

The CIU-2 can be disconnected even while the PC power is on. However, do not disconnect the CIU-2 while it is communicating with a Link supported device.

## Example of connection to Link supported device

(The figure below is an example of connection to an MC850C.)



## Usage Precautions

### ⚠ WARNING

⊘ Do not disassemble the CIU-2. Do not open the CIU-2 case.

Opening the case may damage the PC board. In this case, PC assembly replacement or repair will become impossible. There is also the danger of fire and electric shock.

⊘ Do not expose the CIU-2 to water or other liquids. Do not touch the CIU-2 when your hands are wet.

Water droplets entering the CIU-2 may cause trouble. There is also the danger of fire and electric shock.

### ⚠ CAUTION

⊘ Do not drop or expose the CIU-2 to strong shock.

It may cause trouble.

⊘ Do not set anything on top of the CIU-2.

It may cause trouble.

⊘ Do not touch the connectors with your hands. Also, do not connect a dusty or dirty connector.

It may cause trouble.

ⓘ Handle the PC and peripheral devices in accordance with the instruction manual and cautions and warnings given in the instruction manual of each product.

#### Special Markings

Pay special attention to the safety at the parts of this manual that are indicated by the following marks.

Symbol: ⊘: Prohibited

ⓘ: Mandatory

Mark	Meaning
⚠ WARNING	Procedures which may lead to a dangerous condition or cause death or serious injury to the user if not carried out properly, or procedures where the probability of superficial injury or physical damage is high.
⚠ CAUTION	Procedures where the possibility of serious injury to the user is small, but there is a danger of injury, or physical damage, if not carried out properly.

<When requesting repair>

Before requesting repair, read this instruction manual again. When there is an abnormality, request repair to your local Futaba dealer.