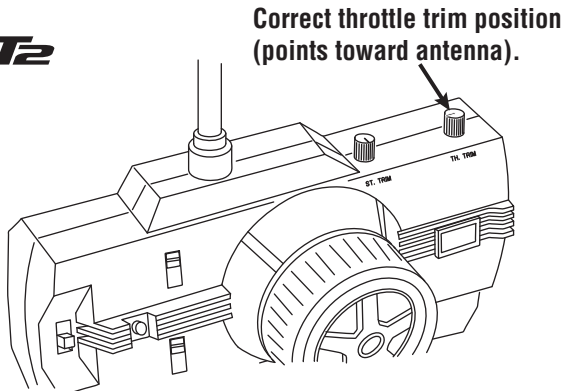


EVADER™ EXT₂

ESC OPERATION NOTICE:

Important: *The throttle trim must be pointed towards the antenna in order for the ESC to arm.*



To set up the ESC, turn on the transmitter followed by the truck. Immediately squeeze the trigger, then push full reverse. Let go.

The ESC is now armed and ready to go!