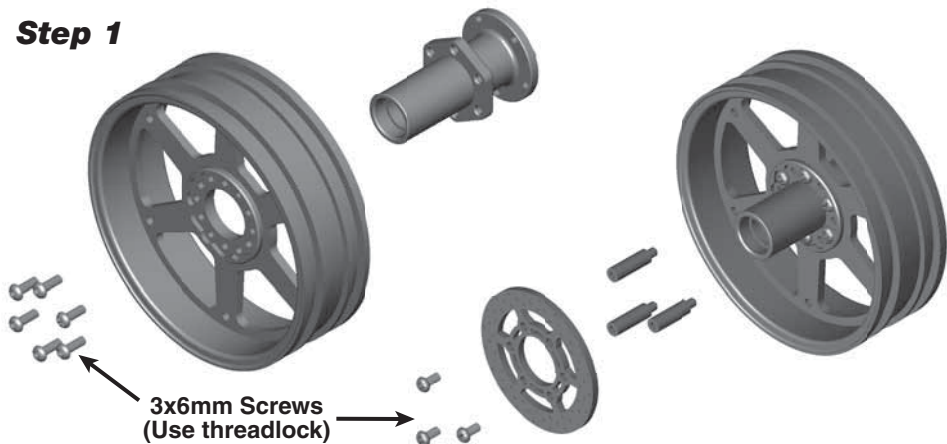


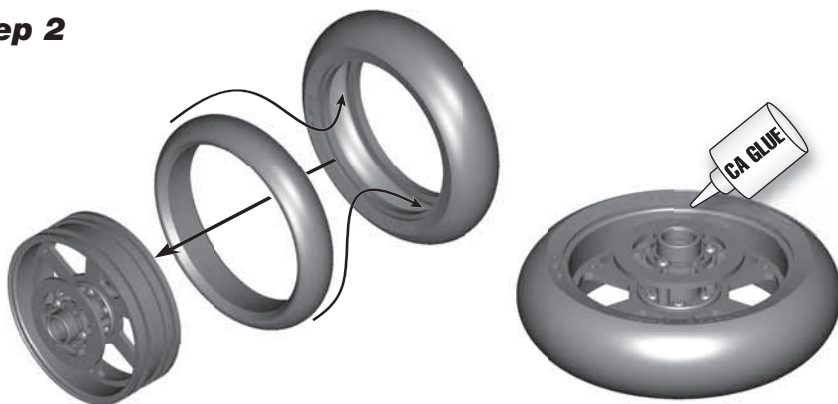


ALUMINUM REAR WHEEL

Step 1



Step 2



Step 3

3x6mm Screws
(Use threadlock)

