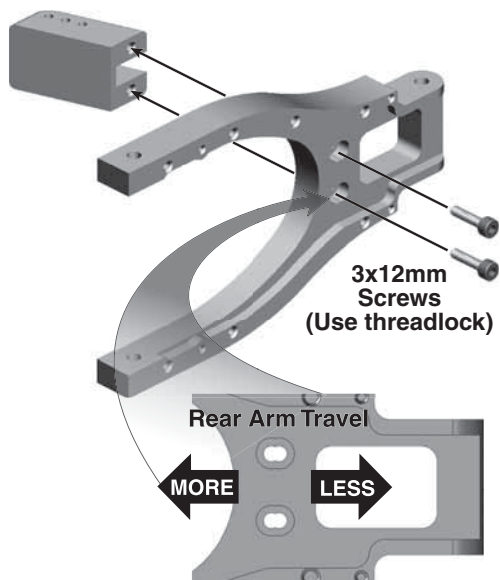




ALUMINUM REAR ARM

Step 1



2x5mm Screws
(Use threadlock)



Step 2

