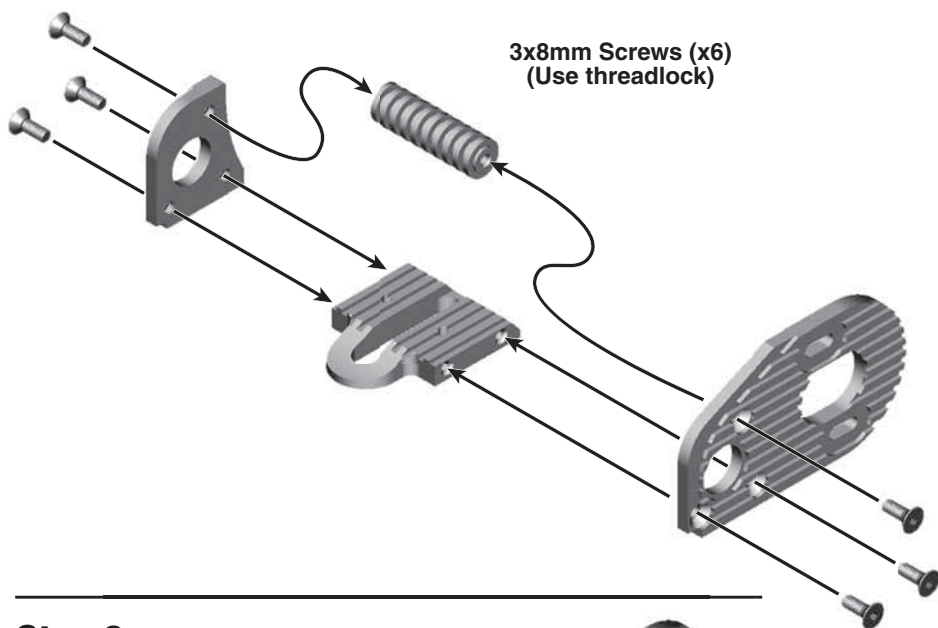




# ALUMINUM MOTOR MOUNT

## Step 1



## Step 2

3x12mm Screws (x2)  
(Use threadlock)

