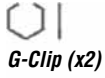


# DX450

## ALUMINUM FRONT OIL SHOCK SET



G-Clip (x2)



Shock Damper Shaft (x2)



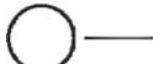
Front Damper Body (x2)



2mm O-Ring (x4)



Shock Piston (x2)



8mm O-Ring (x2)



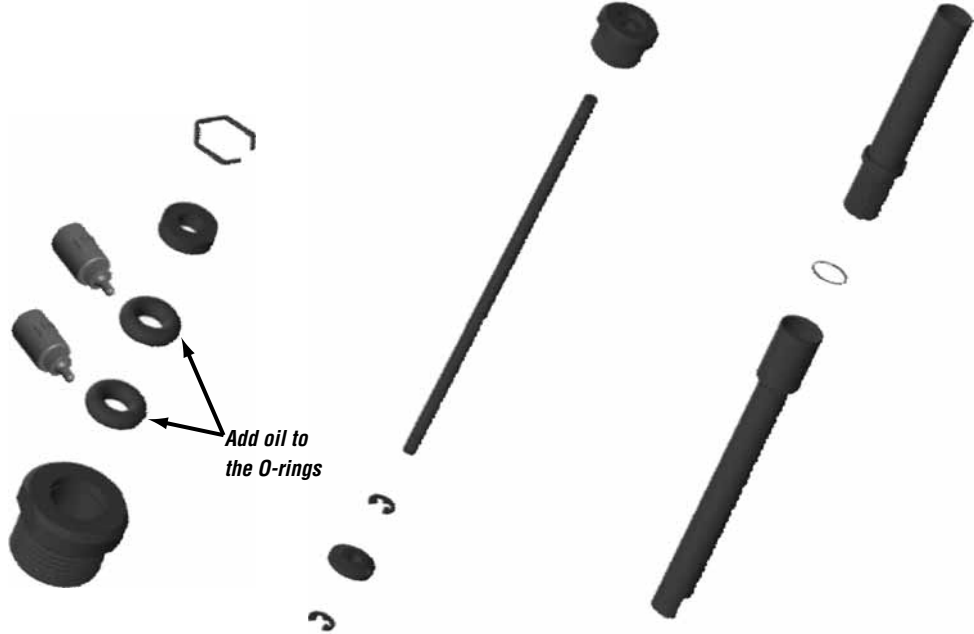
1.5mm E-Clip (x8)



O-Ring Washer (x2)



Shock Damper Upper Cap (x2)



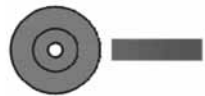
Add oil to the O-rings



Front Shock Spring (x2)



Front Shock Lower Cap (x2)



Front Spring Mount (x2)

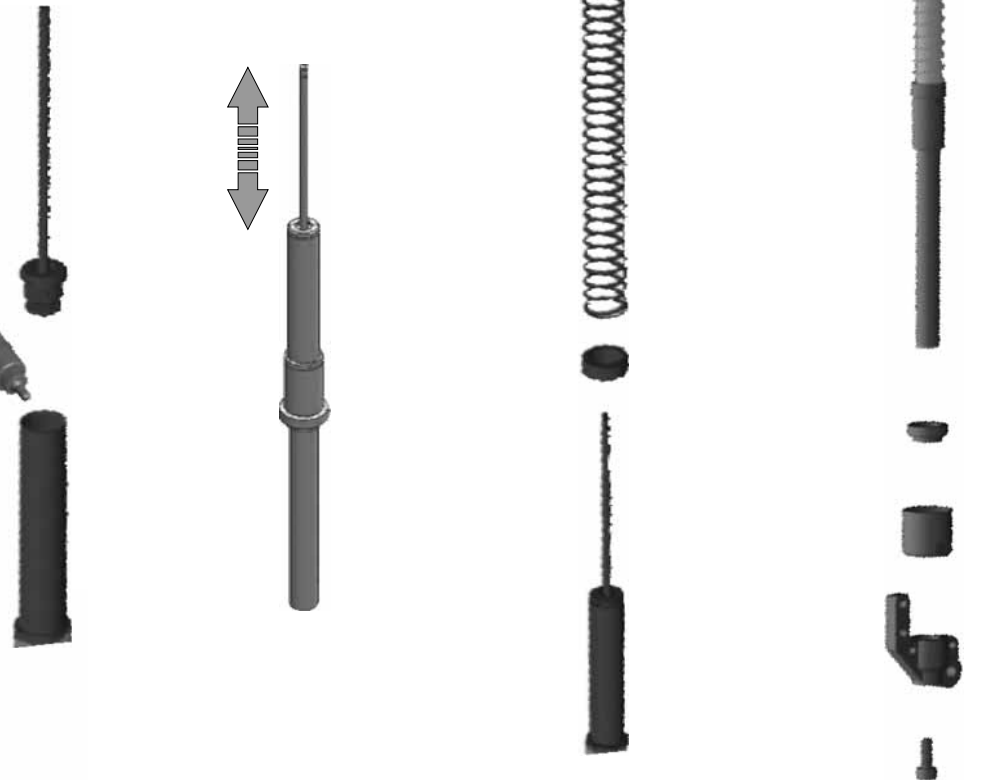


Front Spring Holder (x2)



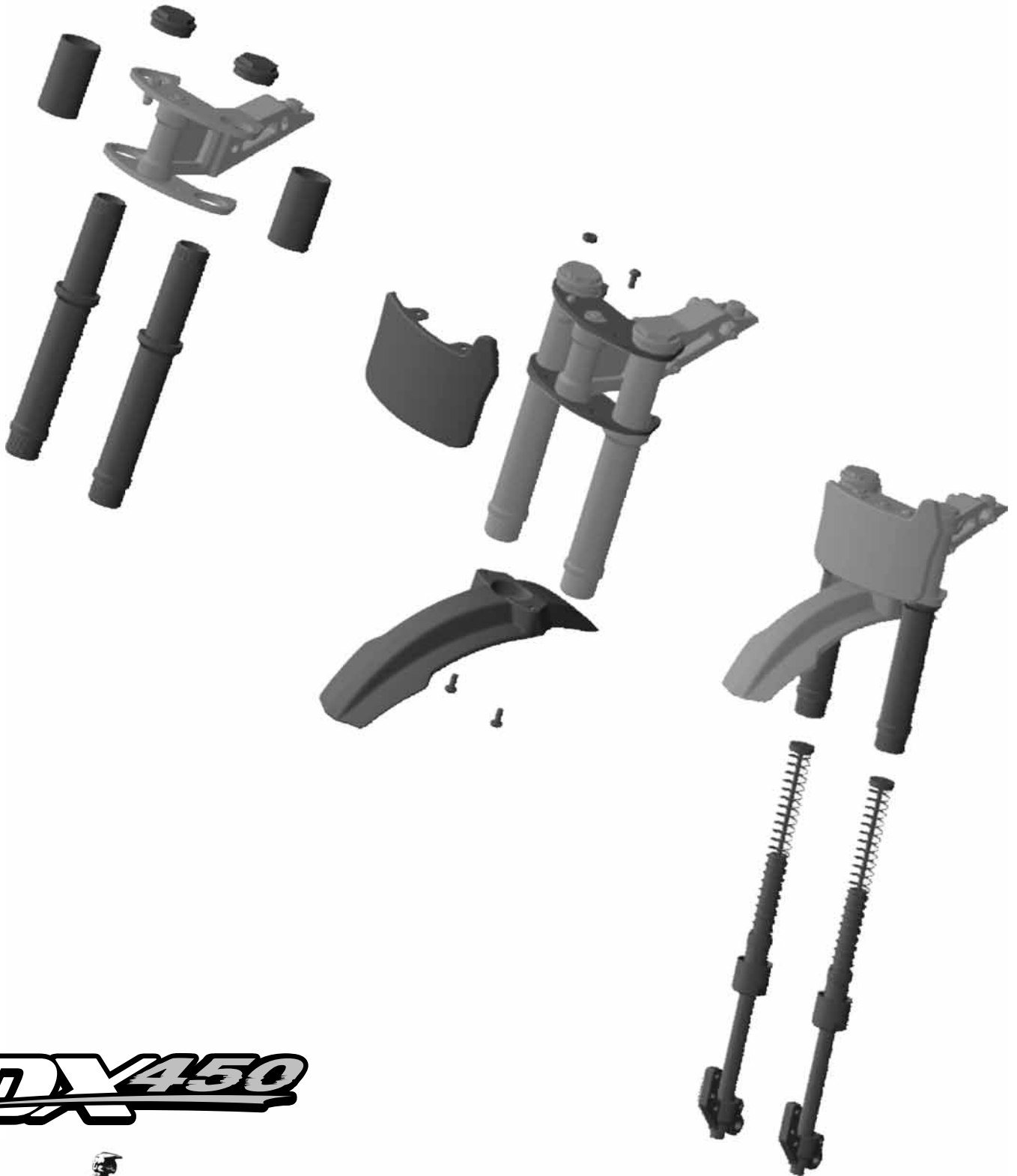
Front Shock Bushing (x2)

30W Shock Oil





FrontShockBodyx2



**DX450**



**DURATRAX**<sup>®</sup>