

INSTRUCTION MANUAL
AX90033-1001

READY TO RUN

AX10™ DEADBOLT™

1/10th SCALE ELECTRIC 4WD



 **axial**®
www.axialracing.com



AX10™ Deadbolt

CAUTIONS



To prevent serious personal injury and/or property damage, operate all remotely controlled models in a responsible manner as outlined herein.

CHOOSE THE RIGHT PLACE TO OPERATE YOUR R/C MODEL.

- Do not run on public streets or highways. This could cause serious accidents, personal injuries, and/or property damage.
- Never run R/C models near people or animals.
- To avoid injury, do not run in confined spaces.
- Do not run where loud noises can disturb others, such as hospitals and residential areas.
- Never run indoors. There is a high risk of fire and/or damage.

INSPECT YOUR MODEL BEFORE OPERATION.

- Make sure that all screws and nuts are properly tightened. It is also a good idea to use removable thread lock wherever metal screws go into metal, especially for engine mounts and the engine pilot shaft.
- Always use fresh batteries for your transmitter and for your receiver to avoid losing control of the model.
- Always test the brakes and throttle before starting your engine to avoid losing control of the model.

AFTER OPERATION OF YOUR R/C MODEL

- Turn off receiver first, then turn off transmitter, this will prevent runaways.
- Be careful when handling batteries, they will be hot after running.
- Replace any batteries that have been dented or have frayed wires, short circuits can cause fire.
- Be sure to keep your R/C model clean and free of excess dirt and grease, this will increase the life.

VORSICHT!



Um Verletzungen an Personen und/oder Sachschäden zu vermeiden, sollten alle ferngesteuerten Modelle sorgfältig und verantwortungsbewusst bedient werden, wie nachfolgend beschrieben.

Wählen Sie den richtigen Platz zum Fahren

- Fahren Sie niemals auf öffentlichen Straßen. Dies könnte Verkehrsunfälle, Personen schäden oder Sachschäden verursachen.
- Fahren Sie niemals in der Nähe von anderen Personen oder Tieren.
- Fahren Sie niemals auf belebten Straßen.
- Fahren Sie nie in der Nähe von Wohnhäusern oder Krankenhäusern. Der Lärm könnte andere Personen stören.
- Fahren Sie niemals in Innenräumen. Dort könnte etwas beschädigt werden.

Überprüfen Sie Ihr Modell, bevor Sie es in Betrieb nehmen.

- Gehen Sie sicher, dass alle Schrauben und Muttern festgezogen sind. Verwenden Sie überall dort Schrauben-Sicherungslack, wo Metallschrauben in ein Metallgewinde greifen, besonders bei den Motorhaltern.
- Um Störungen zu vermeiden, benutzen Sie immer voll geladene Akkus in Ihrem Sender und Empfänger.
- Bevor Sie den Motor starten, sollten Sie immer die Funktion der Bremse und des Gashebels testen.

Nach Betrieb des RC Modells:

- Zuerst den Empfänger abdrehen, dann den Sender abdrehen um unkontrolliertes Durchgehen zu vermeiden.
- Seien Sie vorsichtig mit gebrauchten Akkus, sie können nach dem Gebrauch heiß sein.
- Ersetzen Sie Akkus/Batterien die beschädigt sind oder schadhafte Kabel aufweisen, sie können Kurzschlüsse oder Feuer verursachen.
- Halten Sie Ihr Fahrzeug sauber und entfernen Sie Schmutz und Schmierfett, damit erhöhen Sie die Lebensdauer Ihres Modells.

PRECAUTIONS



Afin d'éviter toutes blessures corporelles et/ou dommages environnants, veuillez procéder en toute responsabilité comme indiqué ci-dessous

Choisir le lieu adéquat pour faire rouler votre modèle.

- Ne jamais rouler dans les rues ou sur les routes ouvertes au public. Ceci peut provoquer de graves accidents.
- Ne jamais rouler près de personnes ou d'animaux.
- Pour éviter les blessures, ne pas rouler dans des espaces confinés.
- Ne jamais rouler où le bruit peut déranger, comme aux abords des hôpitaux ou des quartiers résidentiels.
- Ne jamais rouler à l'intérieur: les gaz d'échappement sont nocifs.

Controler votre modèle avant chaque utilisation.

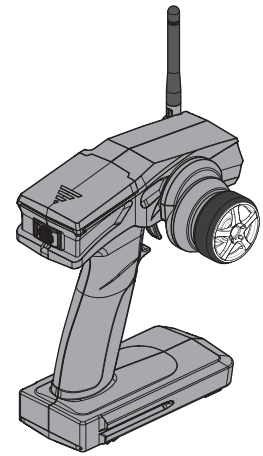
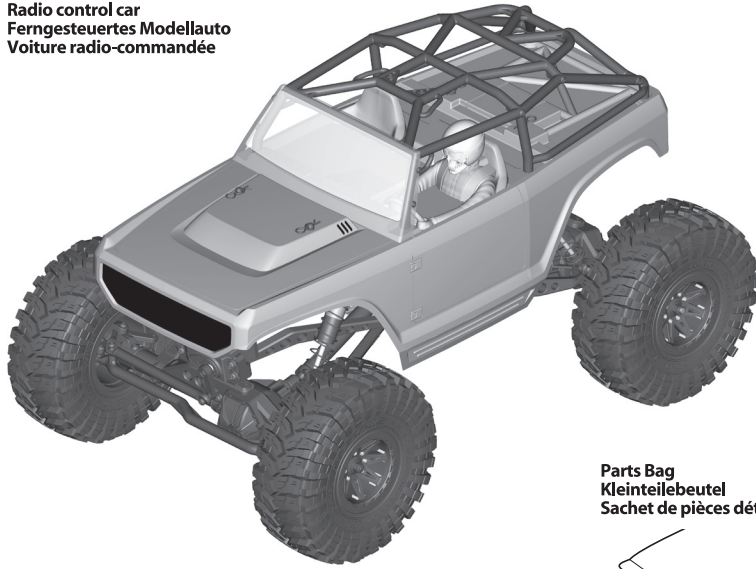
- Vérifier que les vis et les écrous sont bien serrés. Il est très fortement conseillé d'utiliser du frein filet pour bloquer les vis qui sont en contact avec du métal et tout particulièrement les vis du moteur.
- Toujours utiliser des batteries bien chargées pour l'émission et la réception.
- Toujours vérifier les freins et la commande des gaz avant de démarrer.

Après l'Opération De Votre Modèle de R/C

- Le virage du récepteur premier, alors virage de l'émetteur, ceci empêchera des fugitifs.
- Faire attention en contrôlant des piles, ils auront chaud après avoir couru.
- Remplacer n'importe quelles piles qui ont été cabossées ou a éraillé des fils, les court-circuits peuvent causer le feu.
- Etre sûr de garder votre modèle de R/C nettoie et libère de terre et la graisse supplémentaires, ceci augmentera la vie.

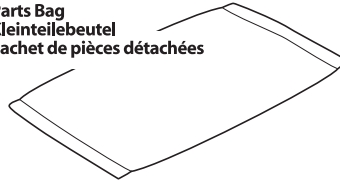
Included items / Im Baukasten enthalten / Outils inclus dans le kit

Radio control car
Ferngesteuertes Modellauto
Voiture radio-commandée

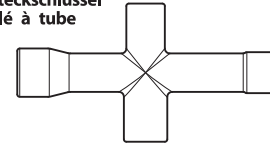


2.4GHz
Transmitter
Sender
Emetteur

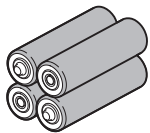
Parts Bag
Kleinteilebeutel
Sachet de pièces détachées



Cross wrench
Steckschlüssel
Clé à tube



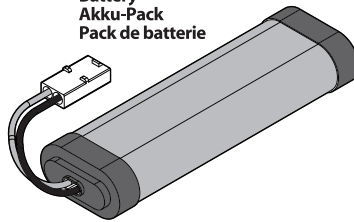
Equipment needed / Benötigtes Zubehör / Equipement nécessaire



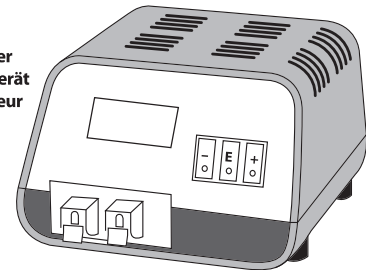
x4

4 AA Alkaline Dry Batteries.
4 St. AA Trockenbatterien.
4 piles type R6 pour votre
radio commande.

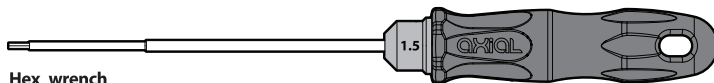
Battery
Akku-Pack
Pack de batterie



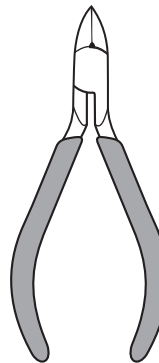
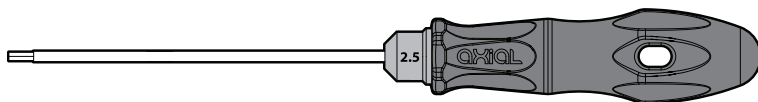
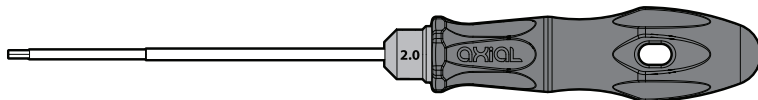
Charger
Ladegerät
Chargeur



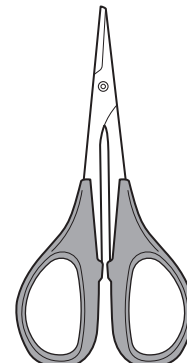
Tools Recommended / Benötigte Werkzeuge / Outillage



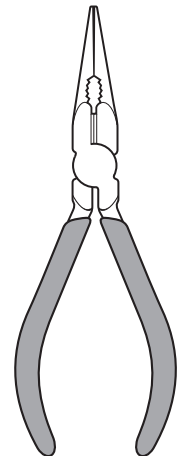
Hex wrench
Inbusschlüssel
Clé Allen



Side cutter
Seitenschneider
Pincès coupantes

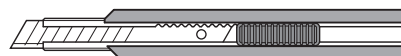


Curved scissors
Schere
Ciseaux



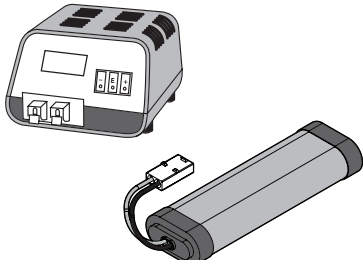
Long nose pliers
Flachzange
Pincès à becs longs

Modeling knife
Modelliermesser
Couteau de modéliste



Getting Started / Anfangen Zu Werden / Commencer

Charge your battery / Laden des Fahrakkus / Chargement de la batterie



Follow the manufacturer's directions for the charger you purchased to properly charge your batteries.

Folgen Sie den Herstelleranweisungen für den Auflader Ihres gekauften ordentlich, Ihre Batterien zu laden.

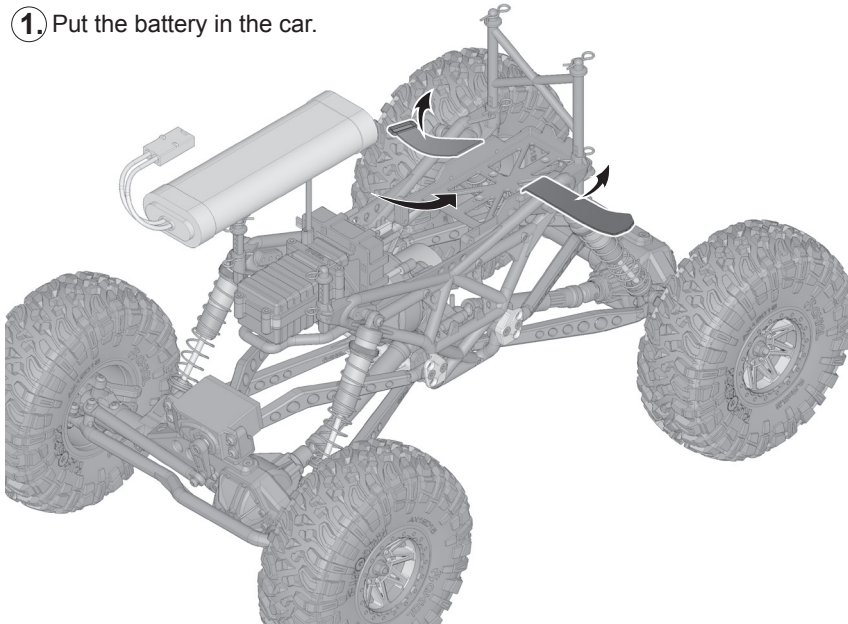
Suivre les directions de fabricant pour le chargeur votre a acheté convenablement pour charger vos piles.

Do not use Nickel Cadmium battery charger for Nickel Metal Hydride batteries. If you do not use the special charger for Nickel Metal Hydride batteries, the batteries will be damaged.

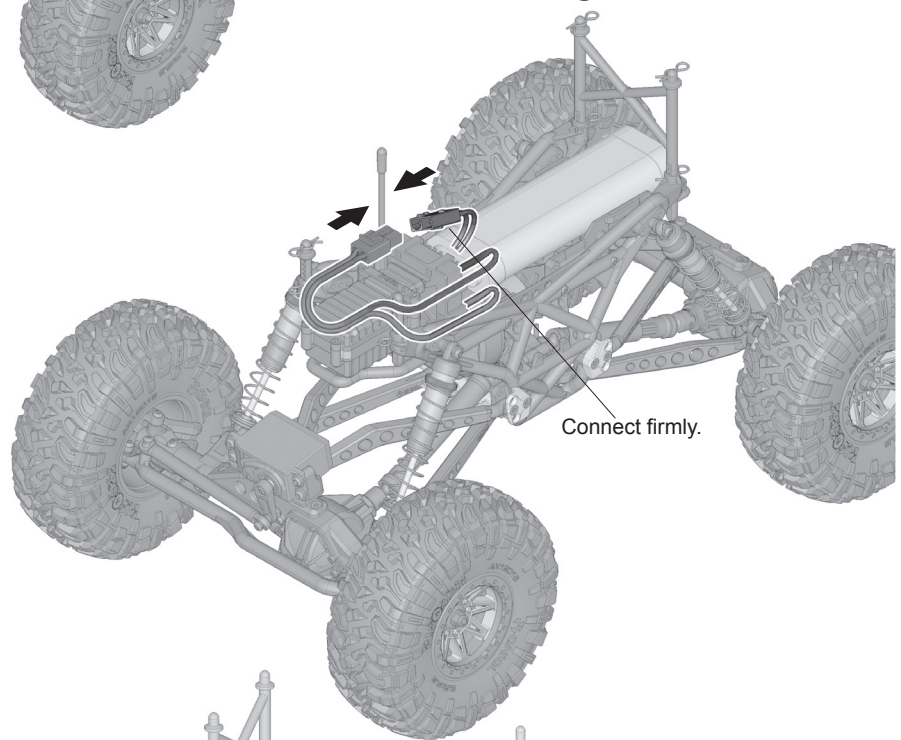
Verwenden Sie kein Ladegerät, dass für Nickel Cadmium Akkus gedacht ist, um Nickel Metal Hydrid Akkus zu laden. Wenn Sie kein spezielles Ladegerät für Nickel Metal Hydrid Akkus verwenden, können diese beschädigt werden.

N'utilisez pas de chargeur pour batteries Cadmium-Nickel pour charger des batteries Nickel-Métal Hydride. Si vous n'utilisez pas un chargeur spécial pour des batteries Nickel-Métal Hydride, celles-ci seront endommagées.

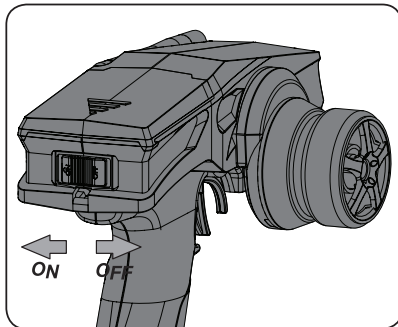
1. Put the battery in the car.



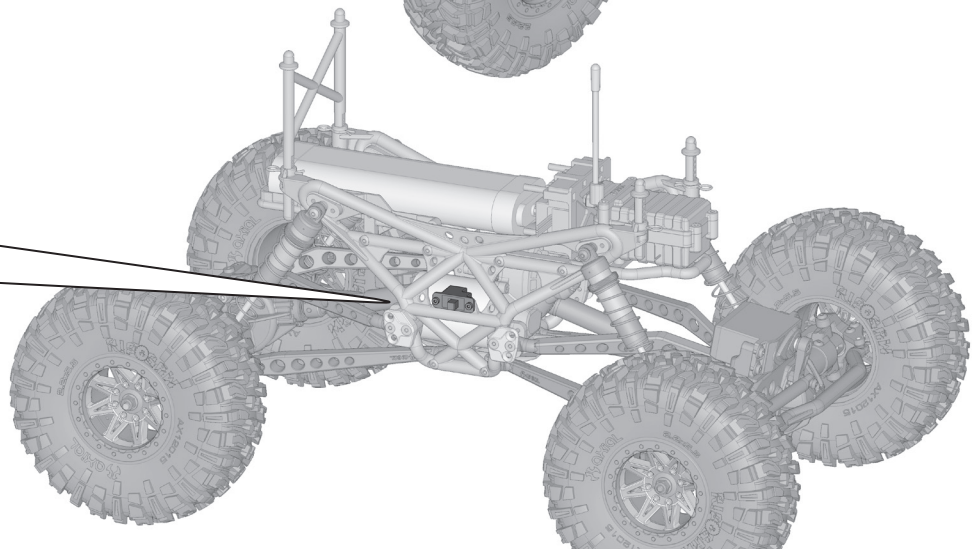
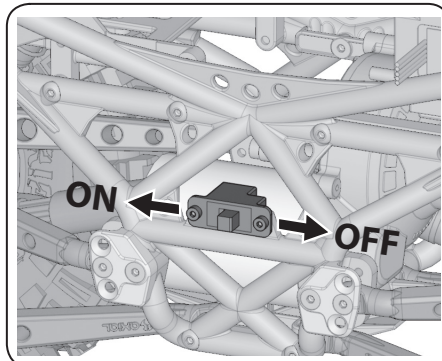
2. Install the battery.

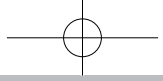


3. Turn on the transmitter.

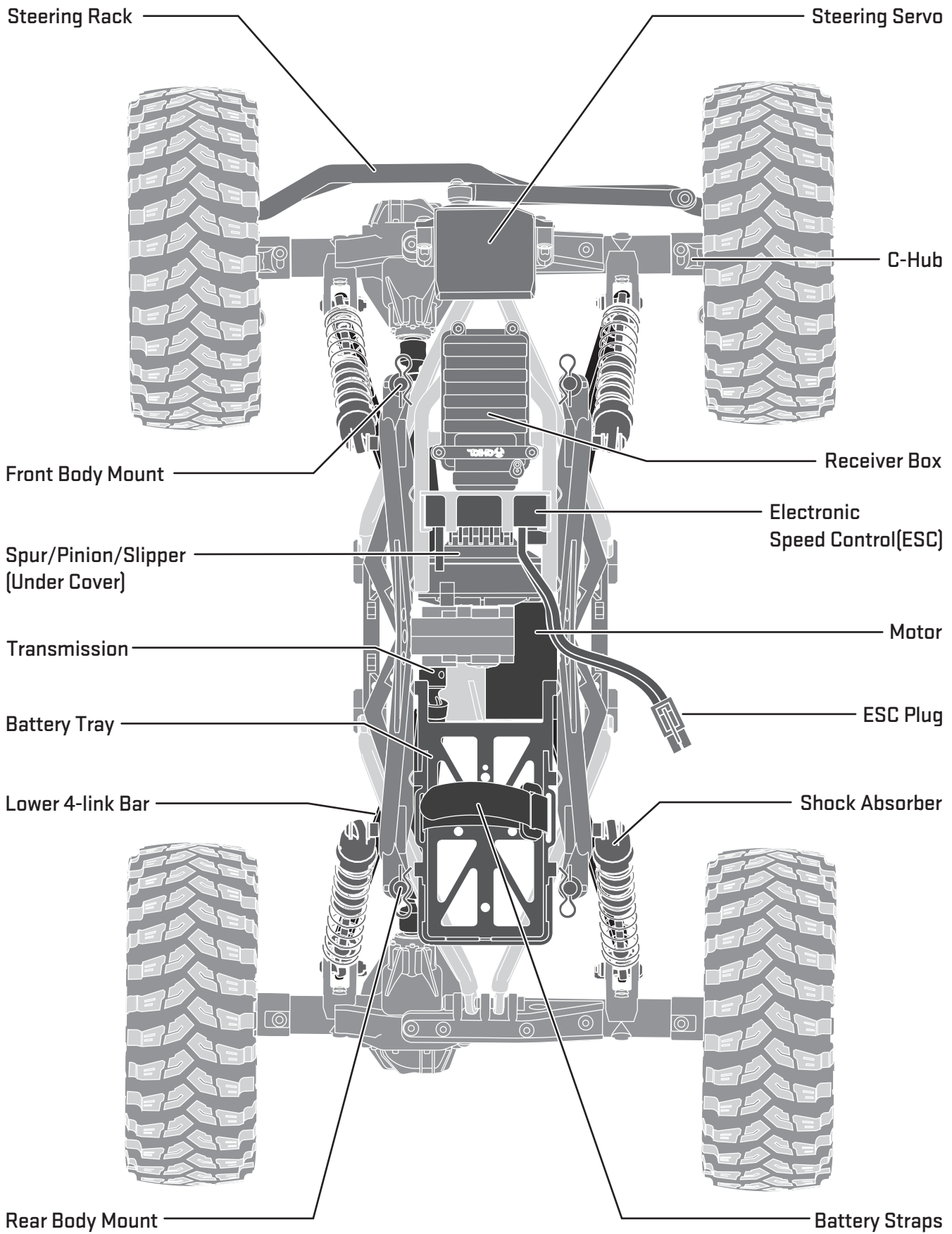


4. Turn on the electronic speed controller.



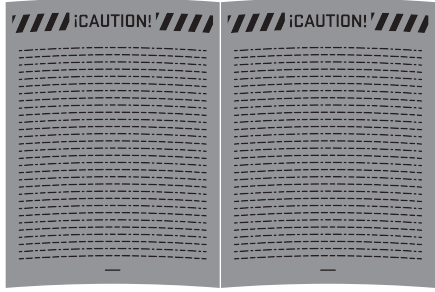


Top View Parts

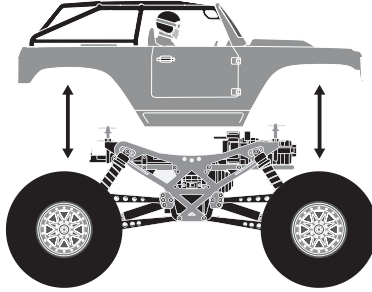


Getting-Started Checklist

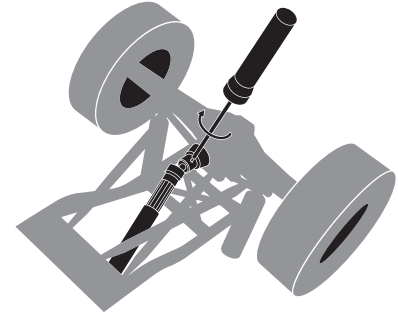
The following checklist is a guide for getting you vehicle running for the first time.



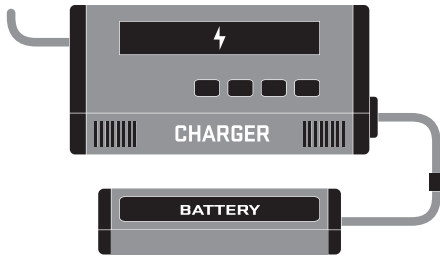
Read 'Cautions' in Manual. (Page 2)



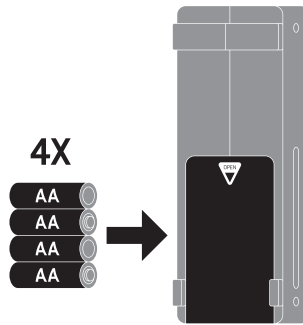
Familiarize yourself with vehicle and its components.



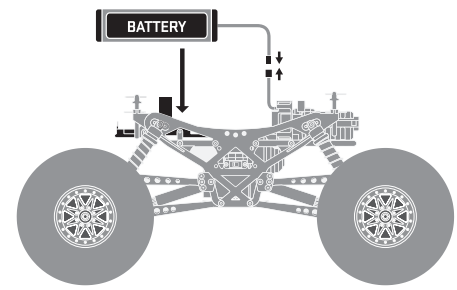
Even though the vehicle is new check driveshaft setscrews and other screws to make sure they are tight from the factory.



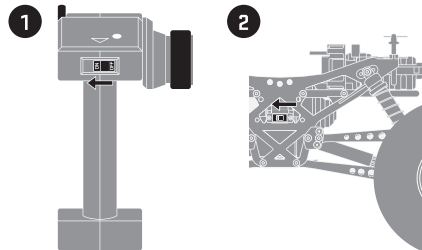
Charge battery pack. (Page 4)



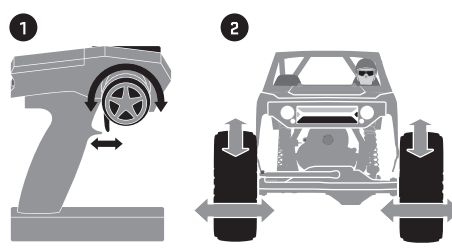
Install 4X AA batteries into Transmitter. (Page 7)



Install battery pack in vehicle. (Page 4)



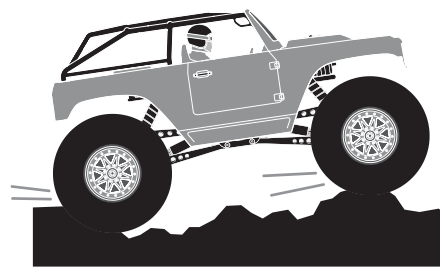
Turn on transmitter FIRST then ESC. (Page 4)



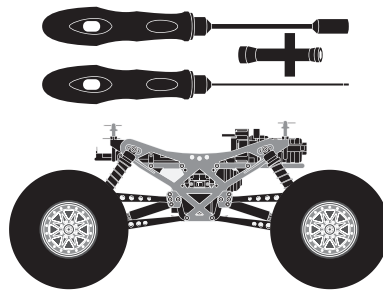
Check to make sure steering and throttle operation work correctly. (Page 7)



Range check radio system. (Next Page)



Drive vehicle, challenge yourself and have fun!



Maintain vehicle. (Next Page)

Range-Checking Your Radio System

The radio system should be checked before operating the vehicle to ensure it's operating properly and has adequate range.



1. Turn on the transmitter first and then the vehicle.
2. Have a friend hold the vehicle while keeping hands and loose clothing away from moving parts.
3. Walk away until you are at the farthest distance you plan to operate the vehicle.
4. Steer the vehicle back and forth and throttle both forward and reverse making sure there is no erratic behavior.
5. If any erratic behavior is exhibited do not operate the vehicle, call customer service for further assistance.

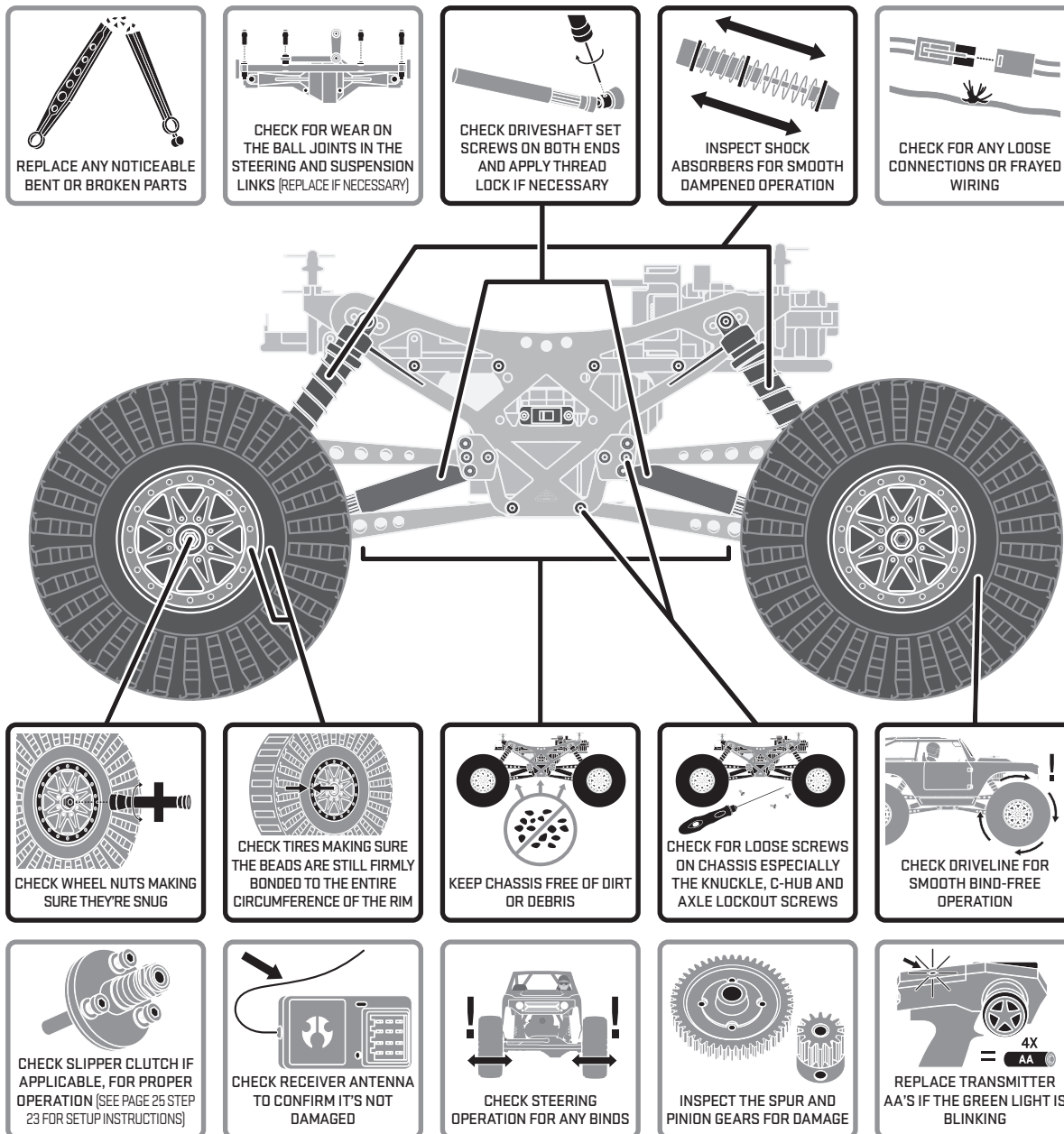


RANGE-CHECKING FOR DISTANCE

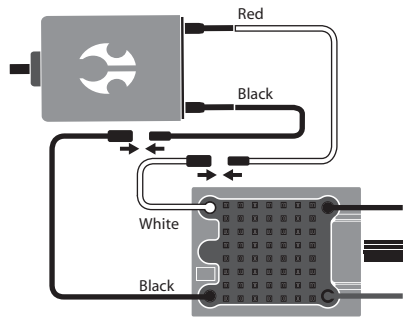
Maintaining Your Vehicle

Just like a full size car or truck your RC vehicle must undergo periodic maintenance in order to ensure peak running performance. Preventative maintenance will also help avoid needless breakages which could result in costly repairs. Below are some suggestions to properly maintain your vehicle.

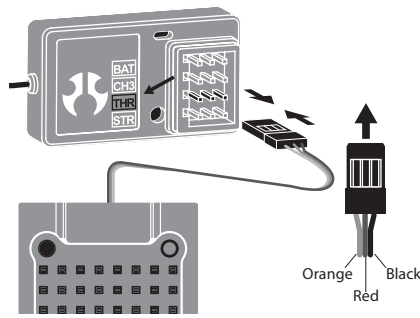
Check driveshaft setscrews on both ends and apply thread lock if necessary.



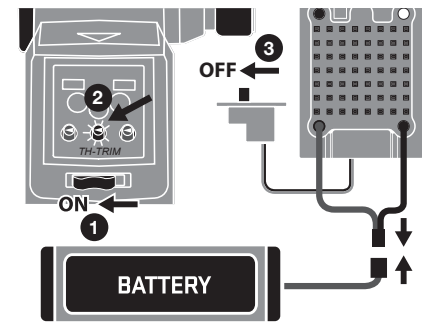
ESC Instructions



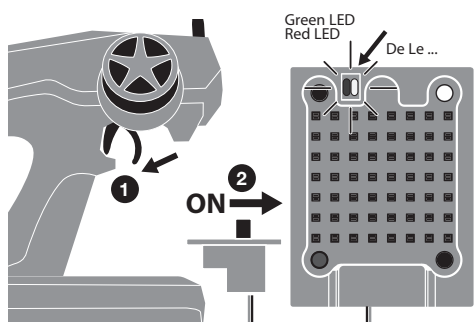
Connect the ESC wires to the motor.



Plug the ESC wire into the throttle channel on the receiver.

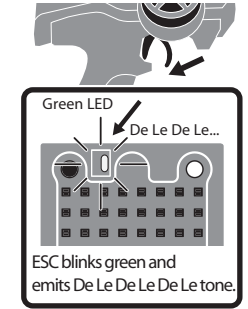


Before plugging the battery into the ESC, make sure your transmitter is on and the throttle trim is set at zero, and the ESC switch in the OFF position.



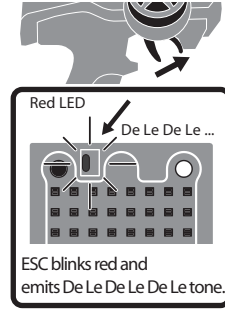
Apply and hold full throttle on the transmitter. Turn on the ESC and it will emit a series of tones, De Le De Le De Le, the red and green LED will flash then only the green LED will remain blinking.

Continue applying full throttle



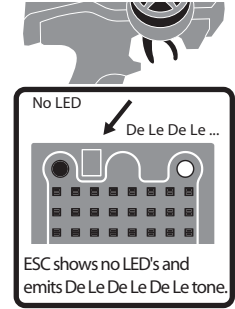
ESC blinks green and emits De Le De Le De Le tone.

Apply full brake



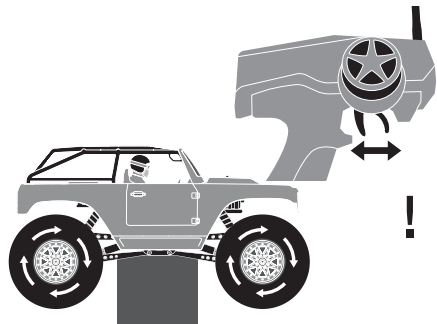
ESC blinks red and emits De Le De Le De Le tone.

Set to neutral point

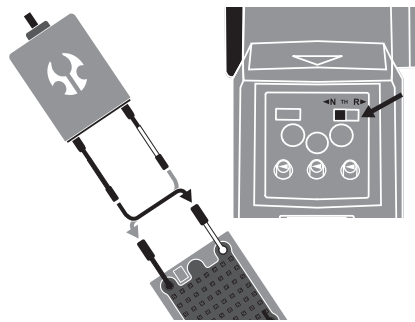


ESC shows no LED's and emits De Le De Le De Le tone.

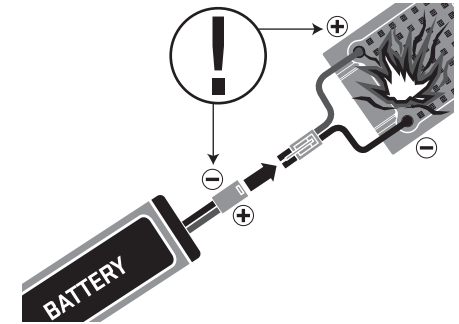
The ESC will emit a final short series of tones, De Le De Le, confirming it has been calibrated.



Apply throttle to make sure the motor is going the direction you wanted.



To reverse the direction of the motor, switch the wires going to the motor. Or reverse the transmitter throttle reverse switch.



Do NOT reverse the battery wire connections! Reversing the battery polarity will permanently damage the ESC.

Specifications:

Input voltage:	6 Cell Ni/2S LiPo
Size:	1.7 in x 1.24 in
Weight:	45 grams
Motor Limit:	19T
On-Resistance FET:	.0018
Rated/Peak Current:	106A Peak
Braking Current:	106A Peak
BEC Voltage/A:	5.0V 2.0A Peak
PWM Frequency:	6 KHZ

Notes:

- If ESC setup does not initialize when holding the full throttle, try switching the throttle reversing switch on the transmitter.
- LiPo Cut-Off is set to "ON" from the factory. If you're using NiMH or NiCd batteries turn "OFF" LiPo Cut- Off by visiting the following link for Manually Programming the AE- 2 ESC : <http://www.axialracing.com/instructions>.
- Use the Castle Link to access the advanced settings in the ESC. Visit <http://www.castlecreations.com/> for more information on the Castle Link USB Programming Kit.

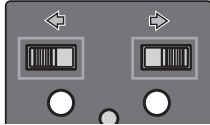


CONNECT THE BATTERY PACK JUST BEFORE DRIVING AND DISCONNECT IT IMMEDIATELY AFTER. ALWAYS MAKE SURE YOU ARE CONNECTING THE ESC TO A PROPER POWER SOURCE THAT HAS THE CORRECT VOLTAGE & POLARITY. INCORRECT VOLTAGES OR REVERSED POLARITY WILL DAMAGE THE ESC. ONCE THE BATTERY PACK IS CONNECTED, HANDLE THE MODEL WITH EXTREME CARE, MAKE SURE YOU ARE CLEAR OF ALL ROTATING PARTS.

SETUP BEFORE STARTING - EINSTELLUNG VOR DEM START

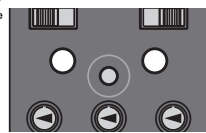
Steering and Throttle Reverse Switch Servo Reverse Schalter

Servo Factory Settings
Beachten Sie die Pfeile für die Servo Grundeinstellung



Binding Button Binding Taster

The other side
Rückseite



ST.D/R

Steering Dual Rate
Maximaler Lenkausschlag



To be used to adjust steering servo rate and range.
Einstellung des maximalen Lenkausschlages.

Battery Level Indicator Batterie Statusanzeige

Good Batteries
Volle Batterien

Low Batteries
Fast leere Batterien

When the batteries are low the green indicator light will flash.

Throttle Trim Gastrimmung

To be used for trimming the throttle operation.
Wird verwendet um den Gasnullpunkt einzustellen.



Steering Trim Lenktrimmung

To be used for trimming the steering operation.
Wird verwendet, um den Geradeauslauf einzustellen.



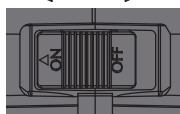
Charger plug in Ladebuchse



※ Rechargeable AA batteries required.
Charger not included. Nutzen Sie diese Ladebuchse nur mit aufladbaren Batterien.

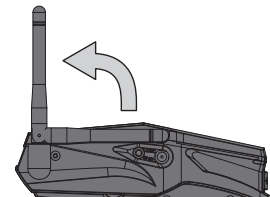
Power Switch Ein/Aus Schalter

ON AN OFF AUS



Antenna/Antenne

Flip the antenna up before use



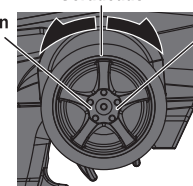
Steering Wheel Lenkrad

To be used for steering operation.
Wird verwendet um das Fahrzeug zu steuern.

Straight
Geradeaus

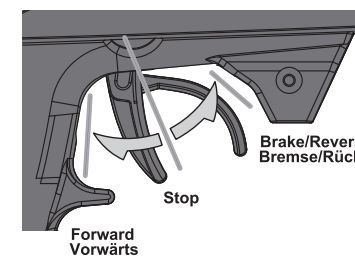
Left turn
Links

Right turn
Rechts



Throttle Trigger Gas/Brems Hebel

To be used for throttle operation.
Um das Fahrzeug zu beschleunigen & abzubremsen.



RADIO BINDING INSTRUCTIONS

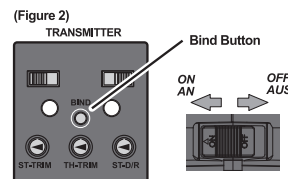
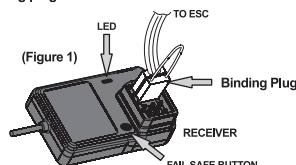
The radio system is bound from the factory so no binding should be necessary. However, if you are matching a new receiver to the transmitter, please follow these steps:

1. Install AA batteries into the transmitter.
2. Insert the binding plug into CH 3 port on the receiver. (Figure 1)
3. Turn on the receiver. You will notice the two LED's are now flashing meaning the receiver is in 'seek' mode and ready to find the transmitter.
4. Press and hold the binding button on the transmitter while turning on the power switch. (Figure 2)
5. The LED's on the receiver should stop flashing indicating it's now bound to the transmitter.
6. Release the binding button on the transmitter and remove the binding plug from the receiver.
7. Turn off the receiver, then turn off the transmitter. Once powered on again, radio binding has been completed.

If the system did not bind please repeat step's 1-7 again or call Axial Customer Service: (877) 64-AXIAL (877-642-9425). NOTE: the AX-3 transmitter will only bind with the AR-3 receiver

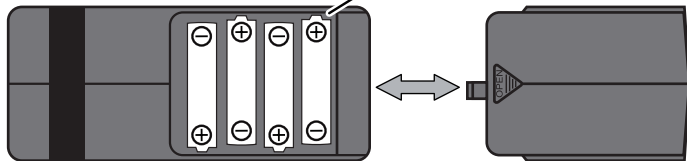
Fail Safe Programming

1. With the radio system bound and powered up, position the throttle trigger to the stop position. For electric applications with drag brake, put the trigger in the stop position. For Nitro applications, position the throttle to apply some amount of brake.
2. With the throttle trigger positioned to desired fail safe position press and hold the button on the receiver until the red LED starts flashing. As soon as it starts flashing release the button; it will then flash for 3 more seconds. Fail safe is now programmed.
3. To test, elevate your vehicle so the tires are off the ground. Apply some throttle and turn the transmitter off. If the throttle returns to neutral within a few seconds, fail safe is programmed correctly. If your vehicle keeps running, fail safe was not programmed correctly; repeat steps 1 and 2.



Battery Cover Batteriefach

4X AA alkaline batteries
4X Piles alcalinas AA



Transmitter Battery Installation/Einglegen der Senderbatterien

Open battery cover at bottom of transmitter. Install batteries. Follow the direction of batteries designated in the inside of battery box.
Öffnen Sie das Batteriefach an der Unterseite des Senders. Legen Sie die Batterien entsprechende der angegebenen Polarität ein.

ATTENTION

Do not mix batteries of different ages or types.
Mischen Sie keine Batterien verschiedenen Typs oder Alters.



- NEVER RUN R/C MODEL IN CROWDED AREA OR NEAR SMALL CHILDREN
- PROTECT YOUR SYSTEM FROM MOISTURE
- REMOVE BATTERY FROM R/C MODEL WHEN STORING



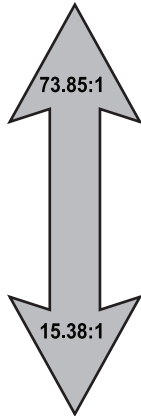
Gear Ratio / Getriebeübersetzung

Use this equation to calculate the final drive ratio.
Final Drive Gear Ratio = 1 / ((pinion/Spur) X .13)

Mit dieser Gleichung können Sie die Gesamtübersetzung berechnen.

Gesamtübersetzung = 1 / ((pinion/Spur) X .13)

Slower - More Torque
Langsamer - Mehr Kraft



Faster - Less Torque
Schneller - Weniger Kraft

		48 Pitch									
		Spur									
		70	72	75	78	81	85	87	90	93	96
Pinion	10								69.23	71.54	73.85
	11								62.94	65.03	67.13
	12							55.77	57.69	59.62	61.54
	13							51.48	53.25	55.03	56.80
	14						46.70	47.80	49.45	51.10	52.75
	15						43.59	44.62	46.15	47.69	49.23
	16						40.87	42.62	43.27	44.71	46.15
	17						36.32	39.37	40.72	42.08	43.44
	18					34.62	34.41	37.18	38.46	39.74	41.03
	19					32.79	34.41	35.22	36.44	37.65	38.87
	20					31.15	32.69	33.46	34.62	35.77	36.92
	21				28.57	29.67	31.14	31.87	32.97	34.07	35.16
	22				27.27	28.32	29.72	30.42	31.47	32.52	33.57
	23				26.09	27.09	28.43	29.10	30.10	31.10	32.11
	24			24.04	25.00	25.96	27.24	27.88	28.85	29.81	30.77
	25			23.08	24.00	24.92	26.15	26.77	27.69	28.62	29.54
	26			22.19	23.08	23.96	25.15	25.74	26.63	27.51	28.40
	27		20.51	21.37	22.22	23.08	24.22	24.79	25.64	26.50	27.35
	28		19.78	20.60	21.43	22.25	23.35	23.90	24.73	25.55	26.37
	29	18.57	19.10	19.89	20.69	21.49	22.55	23.08	23.87	24.67	25.46
30	17.95	18.46	19.23	20.00	20.77	21.79	22.31	23.08	23.85	24.62	
31	17.37	17.87	18.61	19.35	20.10	21.09	21.59	22.33	23.08	23.82	
32	16.83	17.31	18.03	18.75	19.47	20.43	20.91	21.63	22.36	23.08	
33	16.32	16.78	17.48	18.18	18.88	19.81	20.28	20.98	21.68	22.38	
34	15.84	16.29	16.97	17.65	18.33	19.23	19.68	20.36	21.04	21.72	
35	15.38	15.82	16.48	17.14	17.80	18.68	19.12	19.78	20.44	21.10	

Warranty Info

AXIAL LIMITED WARRANTY

Your Axial product is warranted to be free of defects in materials and workmanship when new in the factory sealed box. This warranty does not cover damages due to normal wear and tear, users' failure to perform routine maintenance, error of assembly or installation, modifications or addition of aftermarket parts or option parts. This warranty lasts as long as the original purchaser owns the product and is not transferable (verified by dated itemized sales receipt accompanied with product). In the event of a defect under this warranty, Axial will, at our discretion, repair or replace the product, provided our inspection indicates that an original defect exists. Axial provides a 10-day warranty from the date of purchase on electronics (i.e. servo, esc, radio). Axial reserves the right to replace any product which is no longer available with a product of comparable value and function. If Axial determines the repair is not covered under warranty guidelines, there could be a charge applied for the repair and return shipping charges. Note: Purchasing products from unauthorized distributors may void warranty and prevent support and service.

INTERNATIONAL CUSTOMER WARRANTY

Please return product to the dealer where the purchase was made. If your Axial product purchase was made through an on-line retailer, any warranty issues must be taken care of by that retailer. Axial assumes no responsibility for Axial products sold internationally by on-line retailers.

REPAIR

For warranty repair, please contact Axial Customer Service at (877) 64-AXIAL (877-642-9425).

HOURS AVAILABLE:

8:00 am - 5:00 pm Monday through Friday, Central Time.

Wheels - Tires / Räder - Ermüdet

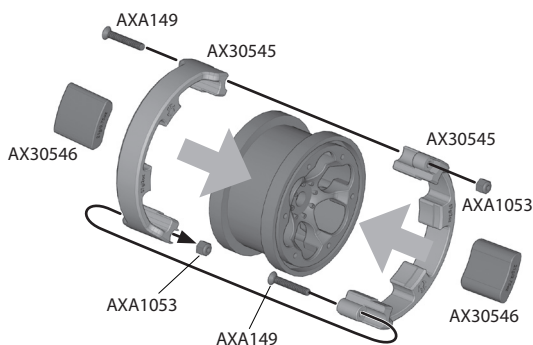
Your vehicle is set up to be competitive right out of the box, however terrain, weather and driving style all affect the performance of the chassis. You can fine tune performance of your vehicle by adding weight, trimming the inner foam, and tuning your tires.

Ihr Fahrzeug ist konstruiert, um aus der Schachtel konkurrenzfähig zu sein, jedoch beeinflussen Gelände, Wetter und Fahrstil die Leistung vom Chassis. Sie können die Leistung Ihr Fahrzeug durch hinzufügen von Gewichten, Trimmen der Reifeneinlage und der Reifenabstimmung einstellen.

Adding Weight / Addiergewicht

You can add weight to the front axle to improve traction. Most users will use stick on wheel weights that fit inside the tire and mount to the wheel, but you can also use Airsoft pellets or BB's. You will have to experiment to determine how much weight to add.

Sie können an der Vorderachse Gewicht hinzufügen um die Traktion zu verbessern. Die meisten Fahrer verwenden Aufsteckbare Rädergewichte die innerhalb des Reifens montiert werden, Sie können aber auch Airsoft Kugeln oder BB's verwenden. Sie werden experimentieren müssen, um zu bestimmen, wieviel Gewicht Sie hinzufügen müssen.

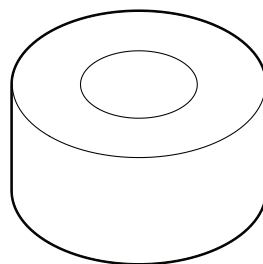


Tire Flex / Reifen Flex

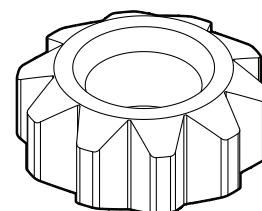
You can adjust the amount of tire flex you get by trimming your inner foam. Visit www.rccrawler.com to see all the choices you have before trimming your inner foams.

Sie können die Eigenschaften des Reifens durch trimmen der Reifeneinlage ändern. Besuchen Sie [www.rcrawler.com](http://www.rccrawler.com), um Möglichkeiten für diese Änderung zu sehen, bevor Sie die Einlage bearbeiten.

Standard

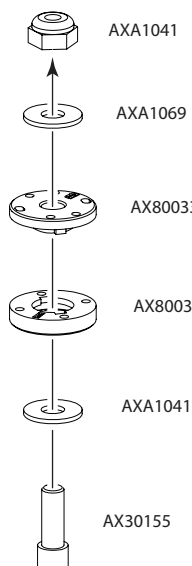


Trimmed



Shock Tuning / Stosdämpferabstimmung

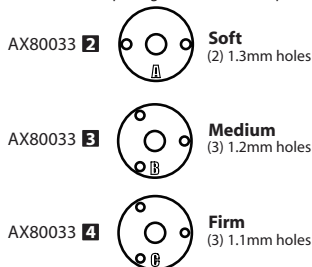
Installation



Pistons

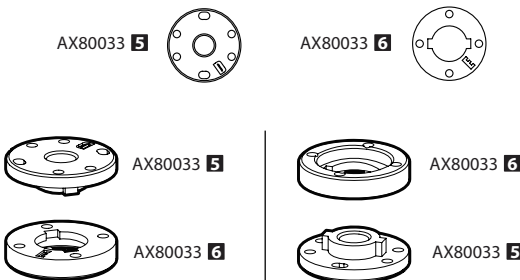
Standard Pistons

Provides the same dampening rate on both compression and extension



Variable Rate Pistons

Provides a different dampening rate depending on which direction you install.



Install this direction for faster rebound and slower compression

Install this direction for Slower rebound and faster compression

Springs/Oil



Springs

Depending on the application you may want a firmer spring than what is included. Selecting a spring rate is based on each vehicles weight and handling and usually will require some trial and error.

For rock crawling applications it is recommended to use a stiffer spring on which ever corner is exhibiting torque twist.

Oil

Oils are another element you can use to tune the handling of your vehicle. You want an oil that allows the vehicle to handle the terrain well, but not too thin as to exhibit a springy bounce while driving.

We recommend starting with a good 30 wt. silicone oil. If you are looking for a faster rebound/compression rate use a lower weight oil. If you are looking for a slower rebound compression rate use a higher weight oil.



Trouble Shooting / Fehlerbehebung / Dépannage

Problem
Problem
Problème

Cause
Grund
Cause

Remedy
Lösung
Remède

Does not move
Das Auto fährt nicht
Le véhicule ne bouge pas

Batteries are not installed properly in the transmitter.
Die Batterien sitzen nicht korrekt im Sender.
Les piles ne sont pas placées correctement dans l'émetteur.

Make sure batteries are properly installed.
Legen Sie die Batterien korrekt ein.
Positionnez correctement les piles dans l'émetteur.

Weak or no battery in model.
Leerer oder kein Akku im Auto.
Batterie faible ou non installée

Install charged battery.
Einbauen eines geladenen Akkus.
Mettez en place une batterie chargée

Damaged motor.
Kaputter Motor.
Moteur endommagé

Replace with new motor.
Austausch durch einen neuen Motor.
Remplacez par un nouveau moteur

Frayed or broken wiring.
Beschädigte Verkabelung.
Câble dénudé ou coupe

Splice and insulate wiring completely.
Erneuern und isolieren Sie die kaputte Stelle.
Faites une épissure et isolez complètement le câble.

ESC is shut down by heat protection circuit.
Notabschaltung des Reglers wegen Überhitzung.
Le système ESC est fermé par le circuit de protection thermique.

Stop driving immediately, do not drive the car until the Speed Controller cools down.
Fahren Sie nicht weiter. Warten Sie bis der Fahrten regler abgekühlt ist.
Arrêtez immédiatement de conduire, ne pilotez pas la voiture tant que le contrôleur de vitesse n'a pas refroidi.

No Control.
Keine Kontrolle über das Auto
Pas de contrôle

Improper antenna on transmitter or model.
Zu kurze Antenne am Sender oder Auto.
Antenne inadéquate sur l'émetteur ou le véhicule

Install charged or fresh batteries.
Einbauen voller Batterien.
Mettez des batteries rechargées ou neuves.

Weak or no batteries in transmitter or model.
Leere oder keine Batterien im Sender oder Auto.
Batterie faible ou absente dans l'émetteur ou le véhicule.

Fully extend antenna.
Ziehen Sie die Antenne vollständig aus.
Dépliez complètement l'antenne.

Neutral position or trim is incorrect.
Neutralposition oder Trimmung sind verstellt.
La position neutre est incorrecte ou le trim n'est pas réglé.

Adjust the steering trim.
Stellen Sie die Lenkungstrimmung neu ein.
Réglez le trim de direction.

Are the receiver and battery connections properly connected?
Sind der Empfänger und die Batterieverbindungen ordentlich verbunden?
Son conectadas apropiadamente las conexiones del receptor y la batería?

Check receiver and battery connections.
Prüfen Sie Empfänger und Batterieverbindungen.
Compruebe conexiones de batería y receptor.




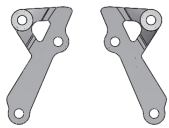
Steering and Throttle Function Reversed.
Lenkung und Gas funktionieren genau verkehrt herum.
Direction et accélération inverses.

Servo reverse switch is in wrong position.
Servorichtungs-Schalter ist in der falschen Position.
L'interrupteur de marche arrière du servo est dans la mauvaise position

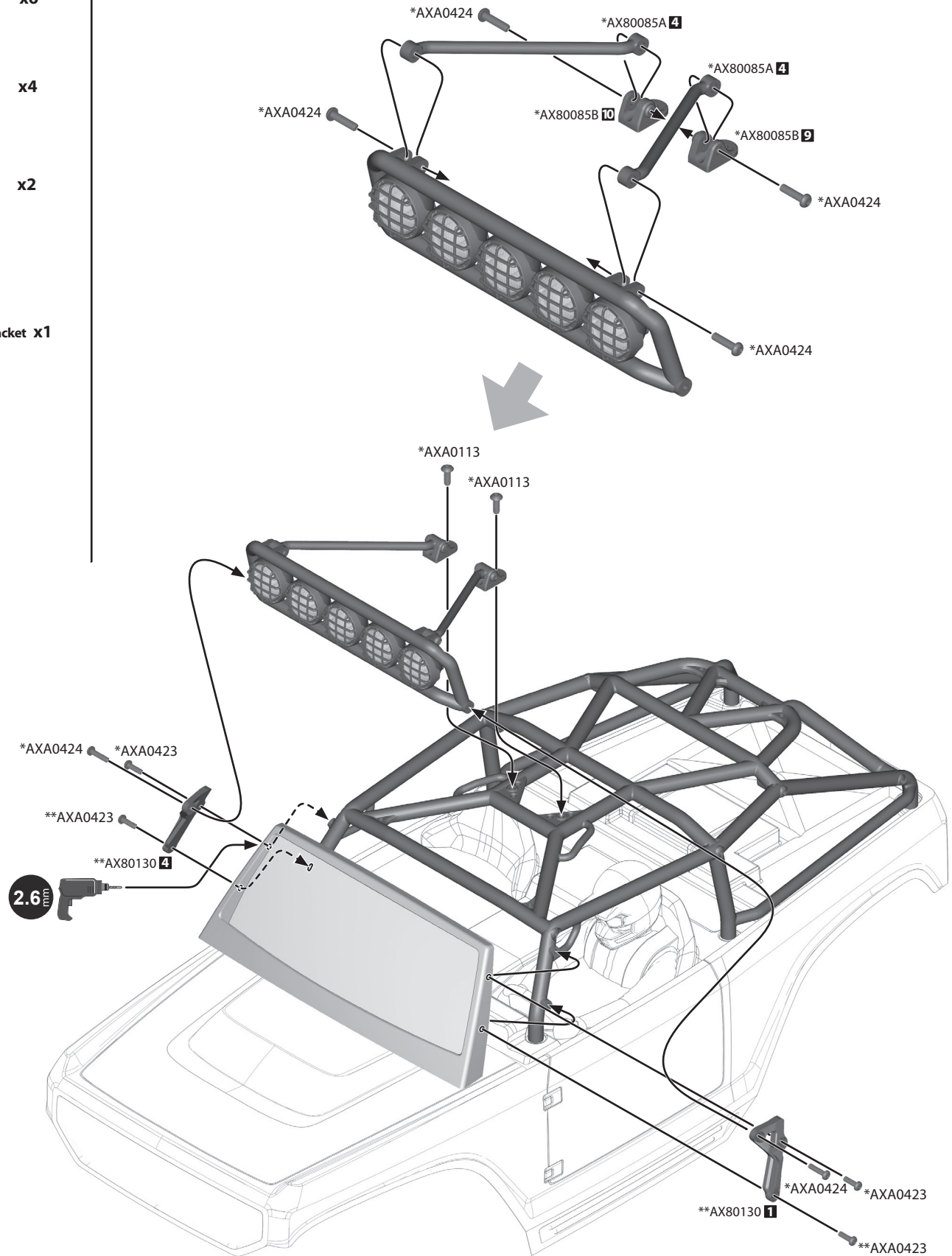
Set to correct position.
Satz, Position zu korrigieren
Vérifiez la position correcte

Please check that the wires from ESC to motor are connected properly.
Bitte überprüfen Sie, ob die Kabel vom Regler zum Motor richtig sitzen.
Veuillez vérifier que les fils allant de l'ESC au moteur sont correctement raccordés.

Check to make sure motor and ESC are properly connected.
Kontrolle sich zu vergewissern, dass Motor und ESC ordentlich verbunden sind.
Le contrôle pour assurer que le moteur et ESC est convenablement connecté.

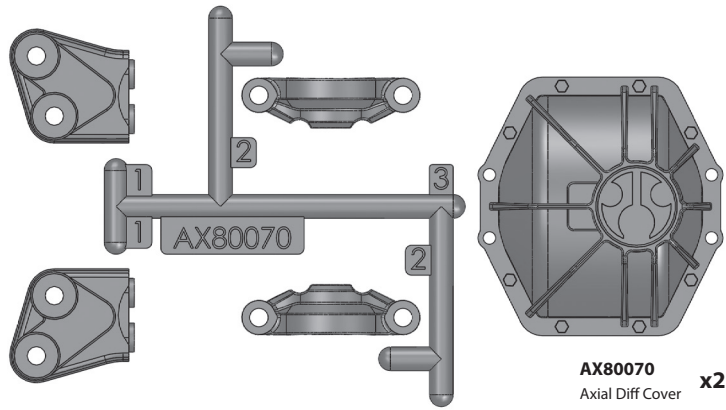
-  **AXA0424**
M2.6x10mm **x6**
-  **AXA0423**
M2.6x8mm **x4**
-  **AXA0113**
M3x6mm **x2**
-  **AX80130 Light Bar Bracket** **x1**

AX30709 Assembly

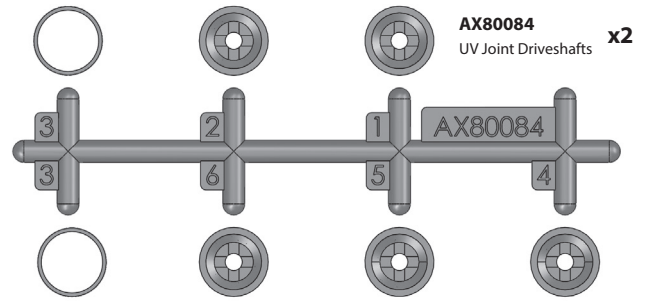


* Included with AX30709 Universal 5 Bucket Light Bar Set
 ** Included with AX90033 AX10 Deadbolt

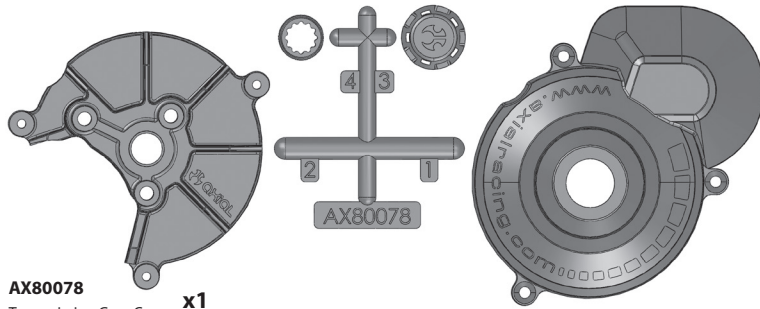
Parts Reference / Übersicht aller Teile / Référence des pièces



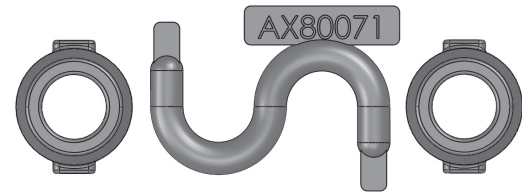
AX80070
Axial Diff Cover **x2**



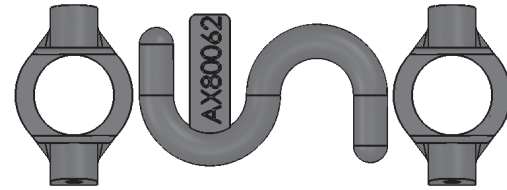
AX80084
UV Joint Driveshafts **x2**



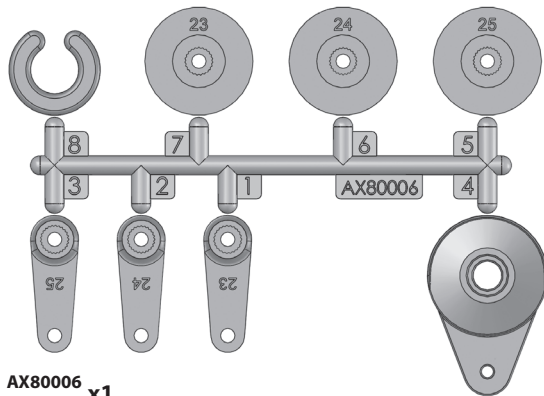
AX80078
Transmission Gear Cover **x1**



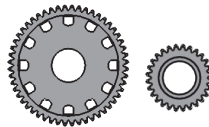
AX80071
Straight Axle Adapter Rear **x1**



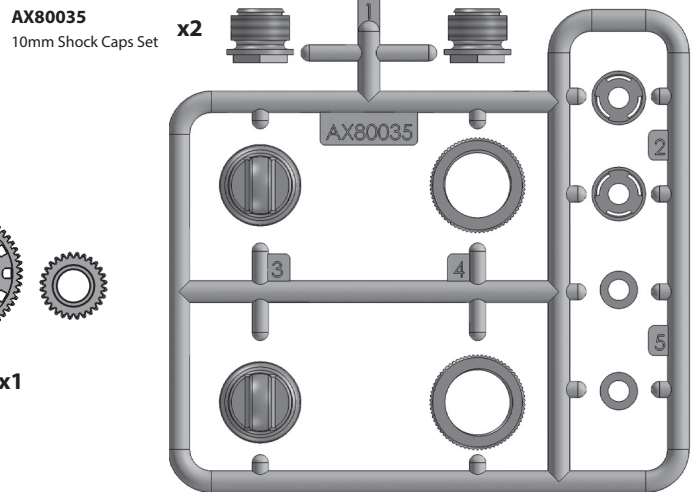
AX80062
XR10 C Hub Carrier Set **x1**



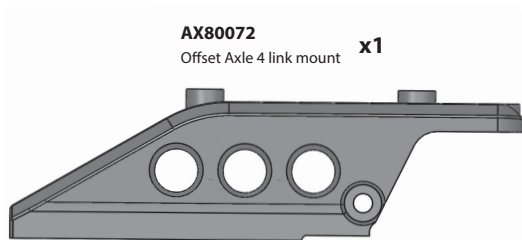
AX80006
Servo Set **x1**



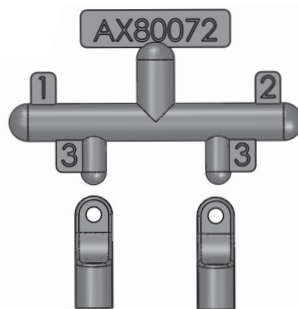
AX80010
Gear Set **x1**



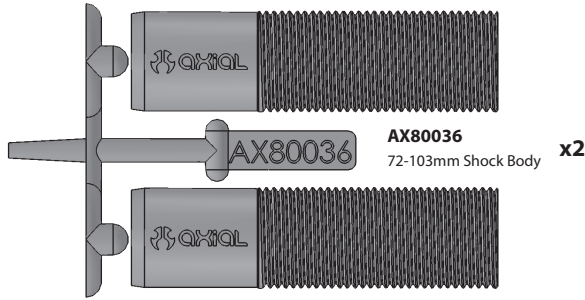
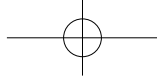
AX80035
10mm Shock Caps Set **x2**



AX80072
Offset Axle 4 link mount **x1**

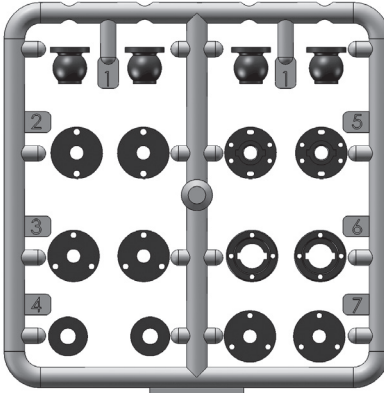


AX80072



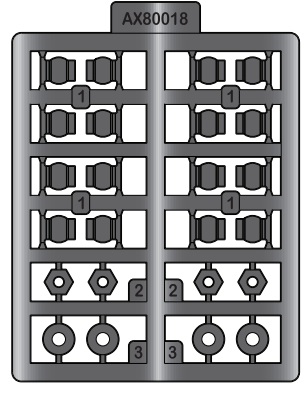
AX80036
72-103mm Shock Body

x2



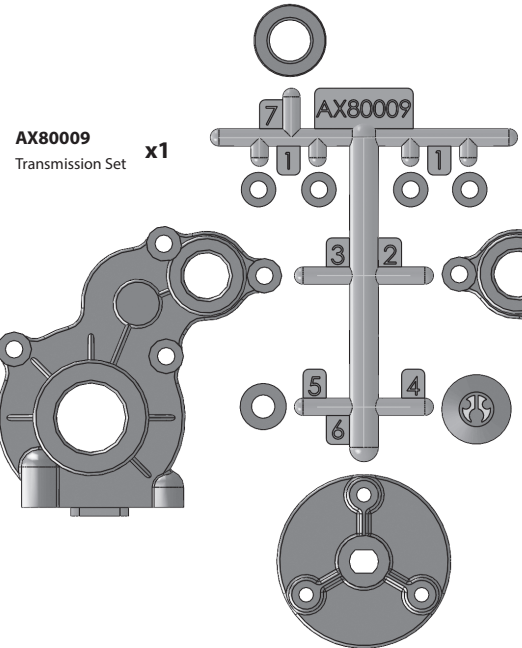
AX80033
10mm Shock Set 1

x2



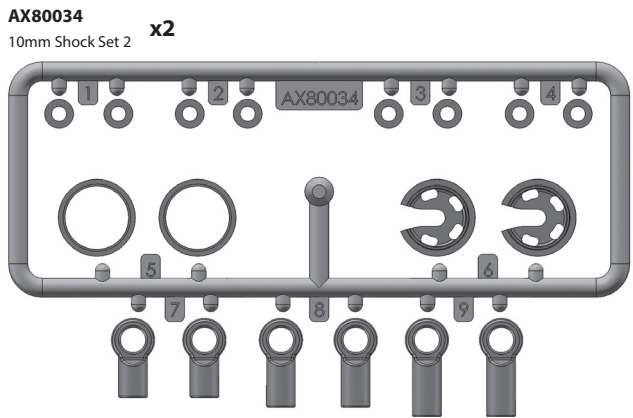
AX80018
Hardware Parts Tree

x2



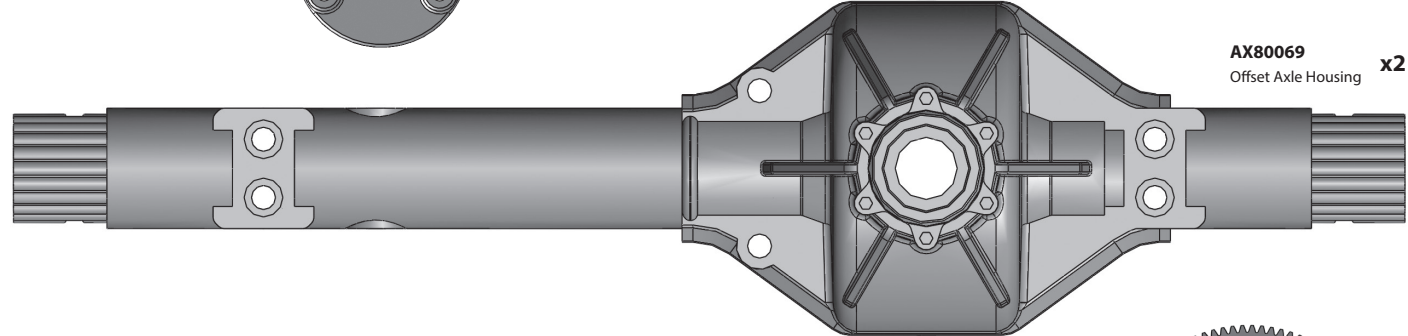
AX80009
Transmission Set

x1



AX80034
10mm Shock Set 2

x2



AX80069
Offset Axle Housing

x2



AX30419
Solid Axle Dogbone 7x69mm

x1



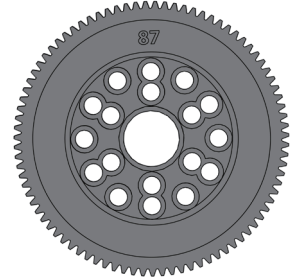
AX30778
Zero Ackerman Steering Plate

x2



AX30419
Solid Axle Dogbone 7x125mm

x1



AX30672
Spur 48DP 87T

x1



AX30776
Straight Axle Shaft 6x104.2mm

x1



AX30155
Shock Shaft 3x59.5

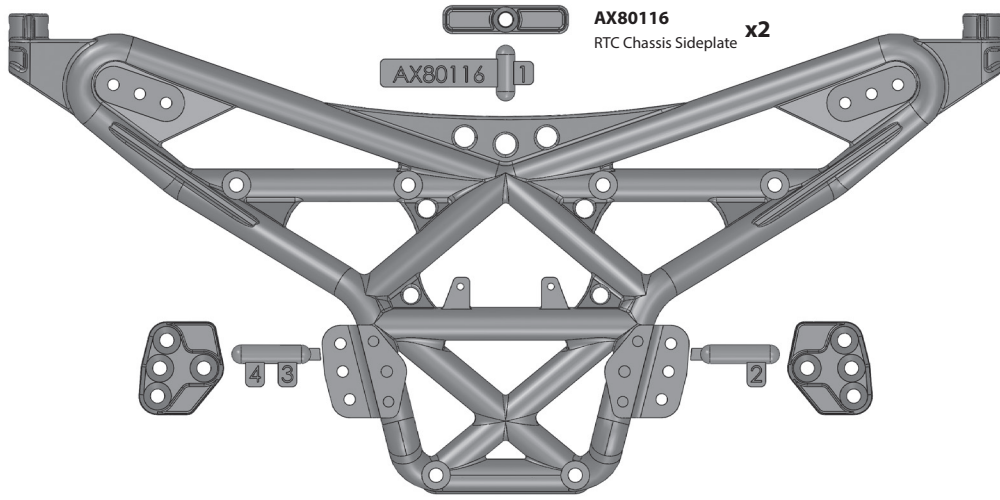
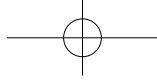
x4



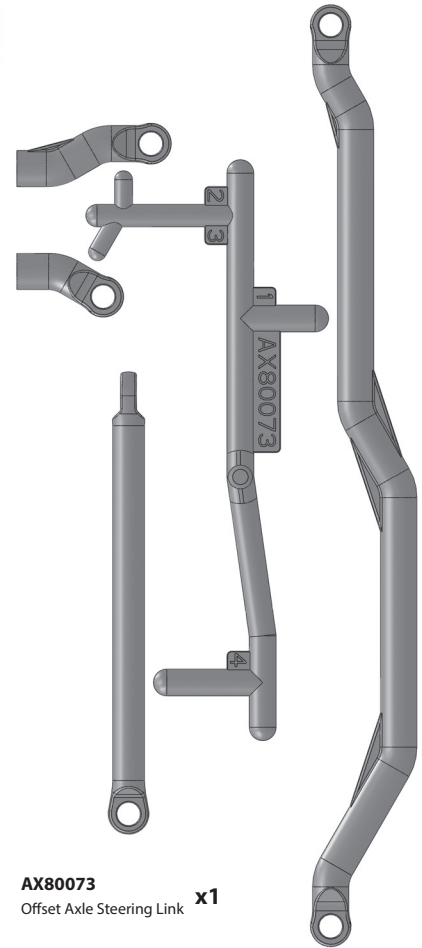
AX30776
Straight Axle Shaft 6x160.2mm

x1

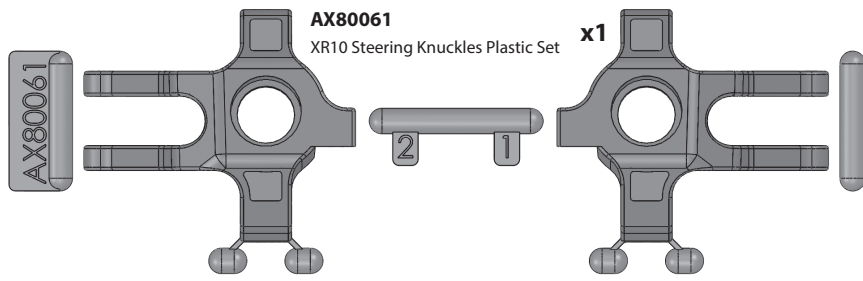




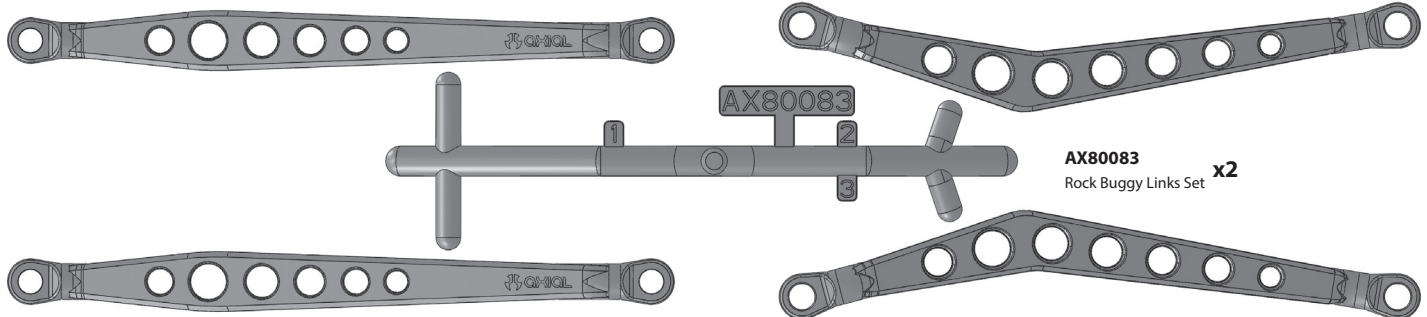
AX80116
RTC Chassis Sideplate **x2**



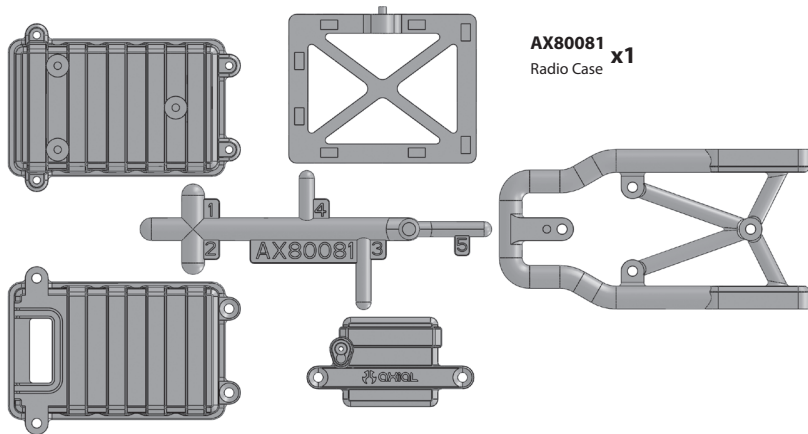
AX80073
Offset Axle Steering Link **x1**



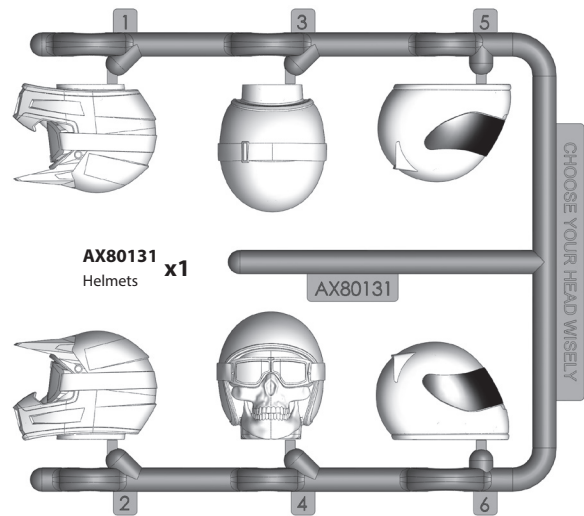
AX80061
XR10 Steering Knuckles Plastic Set **x1**



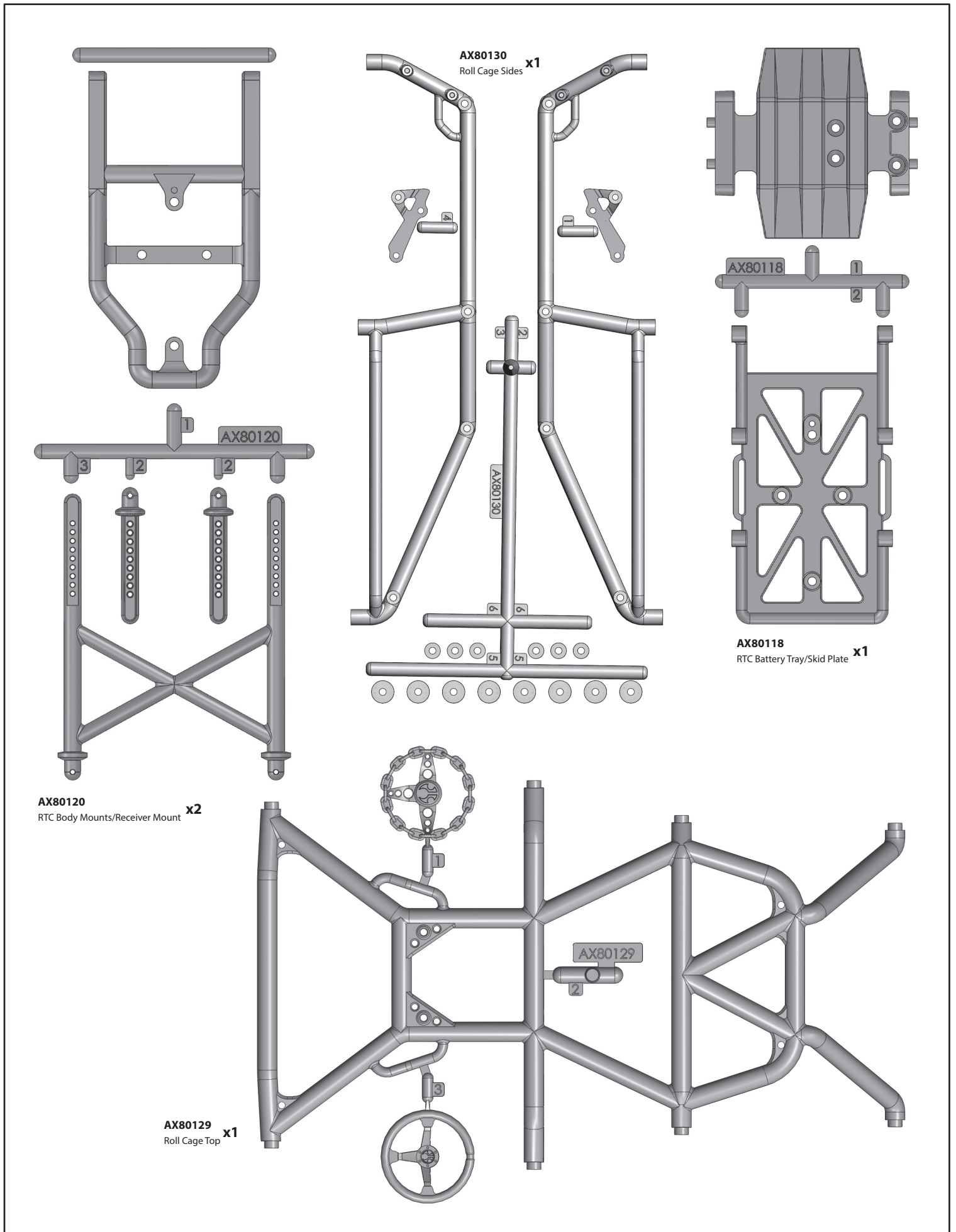
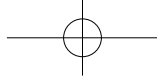
AX80083
Rock Buggy Links Set **x2**

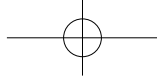


AX80081
Radio Case **x1**



AX80131
Helmets **x1**





AX30162 x2
Pin 1.5x8mm

AX30163 x6
Pin 2x10mm

AX30166 x4
Pin 1.5x11mm

AXA180 x10
M3x3mm

AXA175 x4
Screw Shaft M3x2.5x11mm

AX30463 x4
Universal Joint Axle Pin holder

AX30450 x4
Flange Pipe 3x4.5x5.5

AX30393 x2
13T Bevel Gear

AX30394 x1
20T Drive Gear

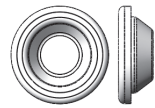
AX30499 x1
Transmission Spacer 5x6.9x4.8mm

AX30578 x1
Pinion 48DP 20T

AX30190 x1
Shaft 5x18

AXA1059 x8
6mm Body Clips

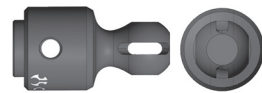
AX30198 x1
Slipper Drive gear Shaft 5x53.5



AX30112 x4
Shock Diaphragm 13x4.5mm

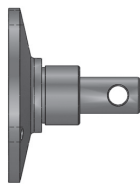


AX30784 x4
Drive Shaft Coupler

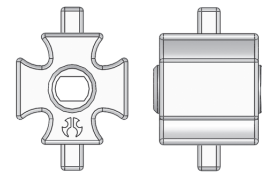


AX30784 x4
Drive Shaft Output

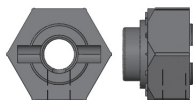
AX30113 x4
Rubber Bump Stop 3.6x7x4



AX30435 x2
Steel Outdrive Shaft



AX30500 x2
Heavy Duty Locker

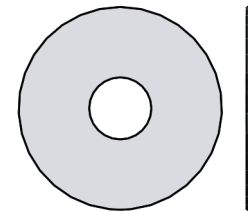


AX30429 x4
12mm Locking Hub

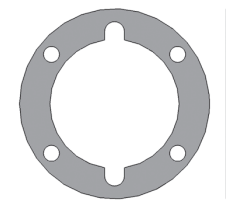


AX30368 x2
Axle 6x39mm

AX30408 x2
Input Shaft 5x29mm



AX30412 x1
Slipper pad 27x8x1mm



AX30385 x2
Diff Gasket 16x25x0.5mm



AX30491 x1
AX10 Scorpion Motor Plate

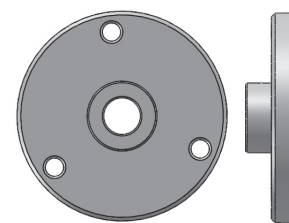


AX30777 x1
56x17mm Servo Plate

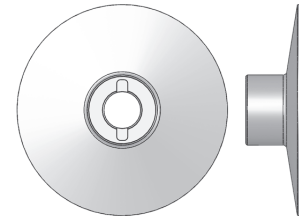


AX30218 x4
Spring 14x70mm - Super Soft (Red)

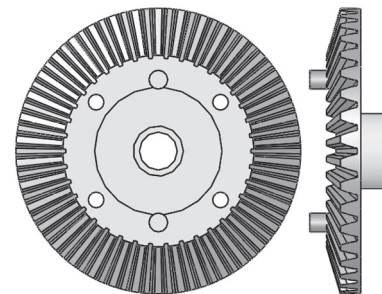
AX30413 x1
Slipper spring



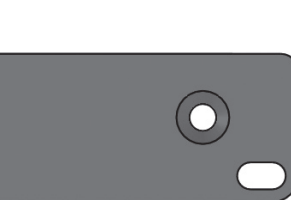
AX30411 x1
Outer Slipper Plate

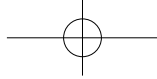


AX30410 x1
Inner Slipper Plate



AX30392 x2
38T Bevel Gear





AXA1041
M2.5 Nylon Lock Nut **x4**



AXA1052
M3 Thin Nylon Locking Hex Nut **x18**



AXA1053
M3 Nylon Locking Hex Nut **x4**



AXA1069
Washer 2.7x6.7x0.5 mm **x8**



AXA1070
Washer 3x6x0.5 mm **x6**



AXA1071
Washer 4x8x0.5mm **x1**



AXA1090
Washer 4.8x14 (Green) **x4**



AXA1091
Washer 5x10x0.5mm **x1**



AXA1184
O-Ring 7.5x1.5mm **x4**



AXA1202
O-Ring 3.5x2mm **x8**



AXA1218
Bearing 5x10x4mm **x4**



AXA1221
Bearing 5x11x4mm **x10**



AXA1230
Bearing 10x15x4mm **x6**



AXA1225
Bearing 8x16x5mm **x2**



AXA1045
M4 Nylon Lock Nut **x5**



AXA1393
E2.5 e-clip **x2**



AXA013
M2x6mm **x5**



AXA015
M2x10mm **x16**



AXA083
M3x6mm **x5**



AXA087
M3x16mm **x8**



AXA089
M3x25mm **x3**



AXA088
M3x20mm **x1**



AXA091
M3x30mm **x2**



AXA0109
M3x10mm **x4**



AXA0113
M3x6mm **x1**



AXA115
M3x10mm **x4**



AXA117
M3x15mm **x3**



AXA118
M3x18mm **x8**



AXA144
M3x8mm **x4**



AXA0414
M2.6x10mm **x5**



AXA0416
M2.6x18mm **x2**



AXA0423
M2.6x8mm **x2**



AXA463
M3x6mm **x2**



AXA464
M3x8mm **x4**



AXA465
M3x10mm **x6**



AXA466
M3x12mm **x4**



AXA467
M3x16mm **x4**



AXA433
M3x6mm **x11**



AXA434
M3x8mm **x4**



AXA435
M3x10mm **x20**



AXA436
M3x12mm **x15**



AXA439
M3x20mm **x6**



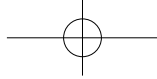
AXA441
M3x30mm **x4**

Parts List

Part #	Description	Part #	Description
AX04039	AX10 Deadbolt Body - .040" (Clear)	AXA0416	M2.6x18mm Hex Socket Tapping Flat Head (Black) (10pcs)
AX08135	2.2 Raceline Renegade Wheels - 41mm Wide (Black) (2pcs)	AXA0439	M3x20mm Hex Socket Tapping Button Head (Black) (10pcs)
AX12022	2.2 Maxxis Trepador Tires - R35 Compound (2pcs)	AXA083	M3x6mm Cap Head (Black) (10pcs)
AX24003	20T Electric Motor	AXA087	M3x16mm Cap Head (Black) (10pcs)
AX24206	2.4GHz Radio System (2 Channel) (AX-3, AR-3)	AXA088	M3x20mm Cap Head (Black) (10pcs)
AX24259	Axial AE-2 Forward/Reverse ESC w/ Drag Brake	AXA089	M3x25mm Cap Head (Black) (10pcs)
AX30041	Velcro Strap 15x160mm	AXA091	M3x30mm Cap Head - Black (10pcs)
AX30112	Shock Diaphragm 13x4.5mm (6pcs)	AXA1041	M2.5 Nylon Locking Hex Nut - Silver (10pcs)
AX30113	Rubber Bump Stop 3.6x7x4 (6pcs)	AXA1045	M4 Nylon Lock Nut (Black) (10pcs)
AX30155	Shock Shaft 3x59.5 (2pcs)	AXA1052	M3 Thin Nylon Locking Hex Nut (Black) (10pcs)
AX30162	Pin 1.5x8mm (6pcs.)	AXA1053	M3 Nylon Locking Hex Nut (Black) (10pcs)
AX30163	Pin 2.0x10mm (6pcs.)	AXA1059	6mm Body clip (Black) (10pcs)
AX30166	Pin 1.5x11mm (6pcs)	AXA1069	Washer 2.7x6.7x0.5 (10pcs)
AX30190	Shaft 5x18 (2pcs.)	AXA1070	Washer 3x6x0.5 (10pcs)
AX30198	Slipper Drive Gear Shaft 5x53.5	AXA1071	Washer 4x8x0.5mm (10pcs)
AX30218	Spring 14x70mm 2.07 lbs/in - Super Soft (Red) (2pcs)	AXA1090	Washer 4x8x14mm (Black) (10pcs)
AX30368	Axle 6x39mm (2pcs)	AXA1091	Washer 5x10x.5 (Black) (10pcs)
AX30385	Diff Gasket 16x25x0.5mm (2pcs)	AXA117	M3x15mm Hex Socket Button Head (Black) (10pcs)
AX30392	Bevel Gear Set (38/13)	AXA118	M3x18mm Hex Socket Button Head - Black (10pcs)
AX30394	20T Drive Gear	AXA1184	O-Ring 7.5x1.5mm (S8) - (10pcs)
AX30408	Input Shaft 5x29mm (2pcs)	AXA1202	O-Ring 3.5x2mm (10pcs)
AX30410	Inner Slipper Plate	AXA1218	Bearing 5x10x4mm (2pcs)
AX30411	Outer Slipper Plate	AXA1221	Bearing 5x11x4mm (2pcs)
AX30412	Slipper pad 27x8x1mm	AXA1225	Bearing 8x16x5mm (2pcs)
AX30413	Slipper spring 8.5x12 165 lbs/in - Black (2pcs)	AXA1230	Bearing 10x15x4mm
AX30419	AR60 OCP Front Dogbone Set (2pcs)	AXA1356	Silicone Shock Bushing 7.5x8mm (6pcs)
AX30429	12mm Aluminum Hub (Black) (4pcs)	AXA1393	E2.5 e-clip (10pcs)
AX30435	Steel Outdrive Shaft Set (2pcs)	AXA1416	4x6mm Spacer - Grey (6pcs)
AX30450	Flange Pipe 3x4.5x5.5 (4pcs)	AXA144	M3x8mm Hex Socket Flat Head (Black) (10pcs)
AX30463	WB8 Universal Joint Rebuild Kit (2pcs)	AXA180	M3x3mm Set Screw (Black) (10pcs)
AX30491	AX10 RTR Motor Plate	AXA433	M3x6mm Hex Socket Tapping Button Head - Black (10pcs)
AX30499	Transmission Spacer 5x6.9x4.8mm - Grey (2pcs)	AXA434	M3x8mm Hex Socket Tapping Button Head (Black) (10pcs)
AX30500	Heavy Duty Locker (2pcs)	AXA435	M3x10mm Hex Socket Tapping Button Head (Black) (10pcs)
AX30578	Pinion 48DP 20T	AXA436	M3x12mm Hex Socket Tapping Button Head (Black) (10pcs)
AX30672	Spur 48DP 87T	AXA441	M3x30mm Hex Socket Tapping Button Head (Black) (10pcs)
AX30776	AR60 OCP Rear Axle Set (2pcs)	AXA463	M3x6mm Hex Socket Tapping Flat Head (Black) (10pcs)
AX30777	56x17mm Servo Plate	AXA464	M3x8mm Hex Socket Tapping Flat Head (Black) (10pcs)
AX30778	Zero Ackerman Steering Plate (2pcs)	AXA465	M3x10mm Hex Socket Tapping Flat Head (Black) (10pcs)
AX30784	WB8 Driveshaft Coupler Set	AXA466	M3x12mm Hex Socket Tapping Flat Head (Black) (10pcs)
AX80002	Diff Case -Small	AXA467	M3x16mm Hex Socket Tapping Flat Head (Black) (10pcs)
AX80006	Servo Set		
AX80009	Transmission Set		
AX80010	Gear Set		
AX80018	Hardware Parts Tree		
AX80033	10mm Shock Parts Tree 1		
AX80034	10mm Shock Parts Tree 2		
AX80035	10mm Shock Caps Parts Tree		
AX80036	72-103mm Shock Body		
AX80061	XR10 Steering Knuckles Set		
AX80062	XR10 C Hub Carrier Set		
AX80069	AR60 OCP Axle Housing		
AX80070	AR60 OCP Differential Cover		
AX80071	AR60 OCP Straight Axle Adapter		
AX80072	AR60 OCP 4-Link Mount		
AX80073	AR60 OCP Steering Link		
AX80078	Transmission Spur Gear Cover		
AX80081	Wraith Tube Frame Electronics Box		
AX80083	Wraith Links Set		
AX80084	WB8 Driveshaft		
AX80116	AX10 Ridgecrest Chassis Side (Universal) (1pc)		
AX80118	AX10 Ridgecrest Battery Tray and Skid Plate		
AX80120	AX10 Ridgecrest Body Posts and Receiver Box Mount		
AX80129	Roll Cage Top		
AX80130	Roll Cage Sides		
AX80131	Helmet Set		
AXA0109	M3x10mm Oversized Flat Hex Socket (Black) (10pcs)		
AXA0113	M3x6mm Hex Socket Button Head (Black) (10pcs)		
AXA013	M2x6 mm Cap Head (Black) (10pcs)		
AXA015	M2x10mm Cap Head (Black) (10pcs)		
AXA0175	Screw Shaft M3x2.5x11mm (10pcs)		
AXA0414	M2.6x10mm Hex Socket Tapping Flat Head (Black) (10pcs)		

Option Parts

AX04032	AX10 Ridgecrest Body - .040" (Clear)
AX04038	Jeep® Wrangler Rock Racer Body - .040" (Clear) - Body Only
AX08061	2.2 VWS Beadlock Wheels (Black) (2pcs) (Fits XR10)
AX08069	2.2 VWS Beadlock Rings (Black) (2pcs)
AX08132	2.2 VWS Machined Beadlock Rings (Orange) (2pcs)
AX08133	2.2 VWS Machined Beadlock Ring (Grey) (2pcs)
AX08137	2.2 Raceline Renegade Wheels - 41mm Wide (Chrome/Black) (2pcs)
AX08141	2.2 Trail Ready HD Series Beadlock w/Slim Ring - IFD™ Wheels-Black(2pcs)
AX08142	2.2 Trail Ready HD Series Beadlock w/Slim Ring - IFD™ Wheels -Chrome/Black(2pcs)
AX12015	2.2 Ripsaw Tires - R35 Compound (2pcs)
AX12021	2.2 BFGoodrich Krawler T/A - R35 Compound (2pcs)
AX24004	Axial 27T Electric Motor
AX24007	Axial 55T Electric Motor
AX24010	Brushless 2900KV Electric Motor
AX24251	Axial NVS - Night Visions System
AX24252	Axial Double LED Light String (White LED)
AX24253	Axial Double LED Light String (Red LED)
AX24254	Axial Double LED Light String (Orange LED)
AX24255	Axial Single LED Light String (White LED)
AX24256	Axial 5 LED Light String (White LED)
AX24257	Simple LED Controller w/LED lights (4 white and 2 Red)
AX24258	4 LED Light String (White LED)
AX24260	AE-3 Vanguard ESC
AX30091	67-90mm Shock Set - 10mm Piston (2pcs)
AX30092	Axial 72-103mm Shock Set - 10mm Piston (2pcs)
AX30110	Axial Aluminum 13mm Aluminum Preload Collar (2pcs)
AX30111	Axial Aluminum Shock Cap (2pcs)
AX30119	Aluminum Shock Body 12x41.5mm (2pcs)



Parts List

Part #	Description	Part #	Description
AX30120	Axial Aluminum Shock Body 12x47.5mm (2pcs)	AX30791	Hi-Clearance Threaded Aluminum Link 7x85mm - Grey (2pcs)
AX30219	Spring 14x70mm 2.47 lbs/in - Soft (White) (2pcs)	AX30793	Dig Component Set
AX30220	Spring 14x70mm 2.85 lbs/in - Medium (Green) (2pcs)	AX30794	WB8 Driveshaft Set (2pcs)
AX30221	Spring 14x70mm 3.27 lbs/in - Firm (Yellow) (2pcs)	AX30797	Wraith™ Stage 1 Aluminum Links Kit
AX30222	Spring 14x70mm 3.55 lbs/in- Super Firm (Blue) (2pcs)	AX30829	AR60 OCP Machined Low-Profile Differential Cover
AX30223	Spring 14x70mm 1.04 lbs/in - Black (2pcs)	AX30830	Axial AR60 OCP Machined Link Mounts
AX30224	Spring 14x70mm 1.43 lbs/in - Purple (2pcs)	AX30831	AR60 OCP™ Front Axle Set (Complete)
AX30225	Spring 14x70mm 1.75 lbs/in - Orange (2pcs)	AX30834	Aluminum Servo Horn 23T
AX30395	Heavy Duty Bevel Gear Set - 38T/13T	AX30835	Aluminum Servo Horn 24T
AX30401	Heavy Duty Bevel Gear Set - 36T/14T	AX30836	Aluminum Servo Horn 25T
AX30402	Heavy Duty Bevel Gear Set - 43T/13T	AX30860	Machined Motor Plate (Hard Anodized)
AX30414	AX10 Scorpion Slipper Clutch Set	AX80051	Axial Dig Transmission Case
AX30437	Axial Dig Lockout Shaft	AX80128	Wheel Hub Adapters (2pcs Narrow, 2pcs Wide)
AX30438	Axial Delrin 10mm Machined Piston - 1.2 (4pcs)	AX8091	Axial 2.2 Rockster Beadlocks (Black)
AX30482	AX10 Scorpion Motor Plate	AX8092	Axial 2.2 Rockster Beadlocks (Chrome)
AX30545	Axial 2.2 Internal Wheel Weight Ring 57g/2oz	AX8095	Axial 2.2 Rockster Beadlocks (Black Chrome)
AX30569	Pinion 48P 14T - Steel	AX8097	2.2 8 Hole Beadlocks (Black)
AX30571	Pinion 48P 13T - Steel	AX8107	2.2 Beadlock Ring - Orange (2pcs)
AX30572	Pinion 48DP 14T	AX8108	2.2 Beadlock Ring - Green (2pcs)
AX30573	Pinion 48P 15T - Steel	AX8112	2.2 Beadlock Ring - Grey (2pcs)
AX30708	AX10 Locked Transmission - Complete Metal Gear Set - Steel (3pcs)	AX8113	2.2 Rock Beadlock Ring - Green (2pcs)
AX30709	Universal 5 Bucket Light Bar Set	AX8117	2.2 Rock Beadlock Ring - Grey (2pcs)
AX30760	XR10 Aluminum Steering Knuckle (Black) (2pcs)	AX8118	2.2 Rock Beadlock Ring - Orange (2pcs)
AX30762	XR10 Aluminum C-Hub Carrier (Black) (2pcs)	AXA1046	M4 Serrated Nylon Lock Nut (Blue) (4pcs)
AX30780	AR60 OCP Universal Axle Set	AXA1076	Cap Head Washer M3x10mm (4pcs)
AX30786	WB8 Driveshaft Retainer Ring (Aluminum) (2pcs)	AXA1105	Cone Washer 3x6.9x2mm - Grey (6pcs)
AX30788	High Leverage Steering Arm	AXA1331	Flanged Ball 3x5.8x7mm (6pcs)
AX30790	Machined Heavy Duty Aluminum Straight Link 101mm - Grey (2pcs)		

NOTES

JEEP® WRANGLER WRAITH POISON SPYDER ROCK RACER

1/10th SCALE ELECTRIC 4WD #AX90031

READY TO RUN



DESERT ROCKY MOUNTAINOUS OFF ROAD



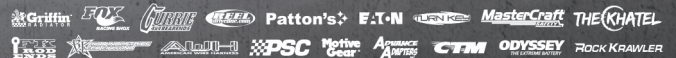
OFFICIALLY LICENSED TECHNICAL PARTNERS:



OFFICIALLY LICENSED POISON SPYDER
CUSTOMS JEEP® WRANGLER WRAITH

OFFICIALLY LICENSED BFGOODRICH
KRAWLER™ T/A® KX TIRES

OFFICIALLY LICENSED TRAIL READY
HD SERIES BEADLOCK WHEELS



CHECK OUT OUR PRODUCTS AND VIEW OUR ENTIRE PRODUCT LINE AT WWW.AXIALRACING.COM:



AX90028
2012 JEEP® WRANGLER UNLIMITED RUBICON
READY TO RUN



AX90027
2012 JEEP® WRANGLER UNLIMITED RUBICON
BUILDER'S KIT



AX90018
WRAITH™ ROCK RACER
READY TO RUN



AX90020
WRAITH™ ROCK RACER
BUILDER'S KIT



AX90022
SCX10™ TRAIL HONCHO™
READY TO RUN

OUR STORY:

Founded in 2005, Axial, Inc. has quickly climbed to the top of the R/C market by offering a dynamic line of class-leading radio control chassis and accessories for the entire scope of the hobby, from novice users to competitors. Every component of our product line is researched and developed to offer superior performance, durability, and style. A true lifestyle brand, Axial is regularly involved in local and national events which allow us to keep our finger on the pulse of the R/C culture. We're feeling the love in return, earning coveted awards including "Truck of the Year" (Radio Control Car Action 2008), "Best Product" (RCCrawler.com 2007 - People's Choice), "Most Innovative Product" (RCCrawler.com 2007; RC Car Action 2008 - People's Choice) and "X-Best" (Xtreme RC Cars 2010).



Jeep and related logos, vehicle model names and trade dresses are trademarks of Chrysler Group LLC and are used under license by Axial Inc. © Chrysler Group LLC 2013. BFGoodrich® Tires Trademarks are used under license from Michelin.



facebook.com/axialinc youtube.com/axialvideos
twitter.com/axialrc flickr.com/axialrc

AX30709
UNIVERSAL 5 BUCKET LIGHT BAR SET

A FIT FOR ANY RIG

AXIAL UNIVERSAL 5 BUCKET LIGHT BAR SET

The Axial Universal 5 Bucket Light Bar Set comes with a complete set of screws and plastic parts designed specifically for a variety of Axial vehicles as well as a universal system for additional mounting applications. The light bar's tubular design gives your vehicle cool scale looks and each light bucket can be outfitted with an LED light to help guide the way on those late night runs (LED lights sold separately). The set also includes three different mesh grilles for your lights: plain, Axial and officially licensed PIAA® grille covers. PIAA® is a registered trademark of PIAA® corporation.

OPTIONAL LED LIGHTS: AX24251 - NVS Night Visions System (For the ultimate level in detail you can now add the NVS light system which features controls for headlights, tail lights, brake lights, and right/left turn signals, as well as some extra auxiliary lighting.)

AX24256 - Axial 5 LED Light String (white LED) (requires AX24257 Simple LED Controller or AX24251 NVS Night Vision System)

AX24257 - Simple LED Controller w/LED Lights (4 white, 2 red)

WRAITH™

SCX10™ DINGO™

SCX10™ TRAIL HONCHO™

EXO™ TERRA BUGGY



 **axial**®
www.axialracing.com

8 Goodyear
Suite 125
Irvine, CA 92618

AX30709-1001

OFFICIALLY LICENSED TECHNICAL PARTNERS:



EXPLORE

facebook.com/axialinc | twitter.com/axialrc | youtube.com/axialvideos | flickr.com/axialrc



8 GOODYEAR
SUITE 125
IRVINE, CA 92618

AX90033-1001