

JEEP® WRANGLER WRAITH™

POISON SPYDER ROCK RACER
1/10th SCALE ELECTRIC 4WD - RTR

POISON  SPYDER
C U S T O M S



Jeep

LICENSED PRODUCT

Jeep and related logos, vehicle model names and trade dresses are trademarks of Chrysler Group LLC and are used under license by Axial R/C Inc. © Chrysler Group LLC 2013.


BFGoodrich® Tires Trademarks are used under license from Michelin.

 **axial**®

www.axialracing.com



CAUTIONS

 **To prevent serious personal injury and/or property damage, operate all remotely controlled models in a responsible manner as outlined herein.**

CHOOSE THE RIGHT PLACE TO OPERATE YOUR R/C MODEL.

- Do not run on public streets or highways. This could cause serious accidents, personal injuries, and/or property damage.
- Never run R/C models near people or animals.
- To avoid injury, do not run in confined spaces.
- Do not run where loud noises can disturb others, such as hospitals and residential areas.
- Never run indoors. There is a high risk of fire and/or damage.


INSPECT YOUR MODEL BEFORE OPERATION.

- Make sure that all screws and nuts are properly tightened. It is also a good idea to use removable thread lock wherever metal screws go into metal, especially for engine mounts and the engine pilot shaft.
- Always use fresh batteries for your transmitter and for your receiver to avoid losing control of the model.
- Always test the brakes and throttle before starting your engine to avoid losing control of the model.

AFTER OPERATION OF YOUR R/C MODEL

- Turn off receiver first, then turn off transmitter, this will prevent runaways.
- Be careful when handling batteries, they will be hot after running.
- Replace any batteries that have been dented or have frayed wires, short circuits can cause fire.
- Be sure to keep your R/C model clean and free of excess dirt and grease, this will increase the life.

VORSICHT!

 **Um Verletzungen an Personen und/oder Sachschäden zu vermeiden, sollten alle ferngesteuerten Modelle sorgfältig und verantwortungsbewusst bedient werden, wie nachfolgend beschrieben.**

Wählen Sie den richtigen Platz zum Fahren

- Fahren Sie niemals auf öffentlichen Straßen. Dies könnte Verkehrsunfälle, Personen schäden oder Sachschäden verursachen.
- Fahren Sie niemals in der Nähe von anderen Personen oder Tieren.
- Fahren Sie niemals auf belebten Straßen.
- Fahren Sie nie in der Nähe von Wohnhäusern oder Krankenhäusern. Der Lärm könnte andere Personen stören.
- Fahren Sie niemals in Innenräumen. Dort könnte etwas beschädigt werden.

Überprüfen Sie Ihr Modell, bevor Sie es in Betrieb nehmen.

- Gehen Sie sicher, dass alle Schrauben und Muttern festgezogen sind. Verwenden Sie überall dort Schrauben-Sicherungslack, wo Metallschrauben in ein Metallgewinde greifen, besonders bei den Motorhaltern.
- Um Störungen zu vermeiden, benutzen Sie immer voll geladene Akkus in Ihrem Sender und Empfänger.
- Bevor Sie den Motor starten, sollten Sie immer die Funktion der Bremse und des Gashebels testen.

Nach Betrieb des RC Modells:

- Zuerst den Empfänger abdrehen, dann den Sender abdrehen um unkontrolliertes Durchgehen zu vermeiden.
- Seien Sie vorsichtig mit gebrauchten Akkus, sie können nach dem Gebrauch heiß sein.
- Ersetzen Sie Akkus/Batterien die beschädigt sind oder schadhafte Kabel aufweisen, sie können Kurzschlüsse oder Feuer verursachen.
- Halten Sie Ihr Fahrzeug sauber und entfernen Sie Schmutz und Schmierfett, damit erhöhen Sie die Lebensdauer Ihres Modells.

PRECAUTIONS

 **Afin d'éviter toutes blessures corporelles et/ou dommages environnants, veuillez procéder en toute responsabilité comme indiqué ci-dessous**

Choisir le lieu adéquat pour faire rouler votre modèle.

- Ne jamais rouler dans les rues ou sur les routes ouvertes au public. Ceci peut provoquer de graves accidents.
- Ne jamais rouler près de personnes ou d'animaux.
- Pour éviter les blessures, ne pas rouler dans des espaces confinés.
- Ne jamais rouler où le bruit peut déranger, comme aux abords des hôpitaux ou des quartiers résidentiels.
- Ne jamais rouler à l'intérieur: les gaz d'échappement sont nocifs.

Controler votre modèle avant chaque utilisation.

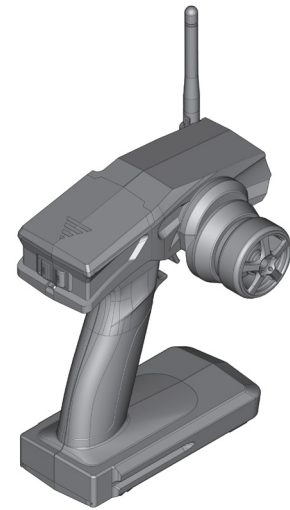
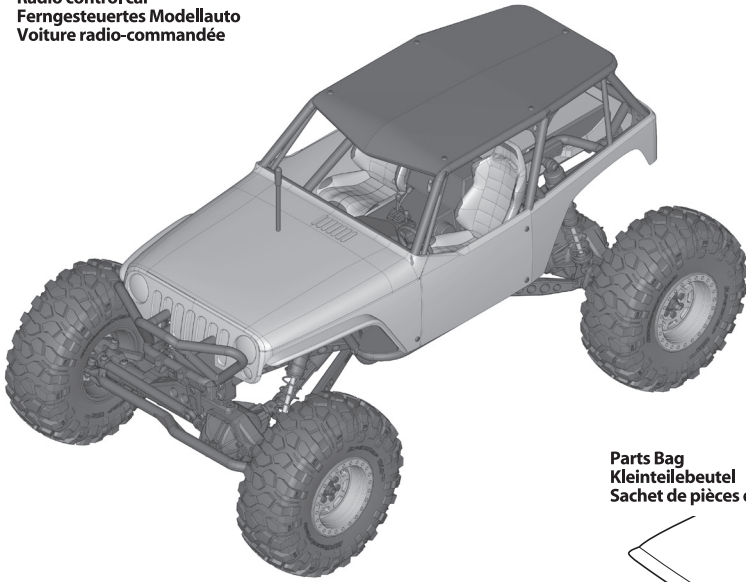
- Vérifier que les vis et les écrous sont bien serrés. Il est très fortement conseillé d'utiliser du frein filet pour bloquer les vis qui sont en contact avec du métal et tout particulièrement les vis du moteur.
- Toujours utiliser des batteries bien chargées pour l'émission et la réception.
- Toujours vérifier les freins et la commande des gaz avant de démarrer.

Après l'Opération De Votre Modèle de R/C

- Le virage du récepteur premier, alors virage de l'émetteur, ceci empêchera des fugitifs.
- Faire attention en contrôlant des piles, ils auront chaud après avoir couru.
- Remplacer n'importe quelles piles qui ont été cabossées ou a éraillé des fils, les court-circuits peuvent causer le feu.
- Etre sûr de garder votre modèle de R/C nettoie et libère de terre et la graisse supplémentaires, ceci augmentera la vie.

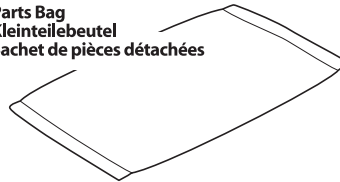
Included items / Im Baukasten enthalten / Outils inclus dans le kit

Radio control car
Ferngesteuertes Modellauto
Voiture radio-commandée

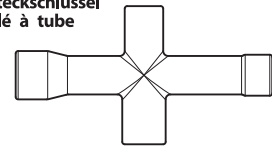


2.4GHz
Transmitter
Sender
Emetteur

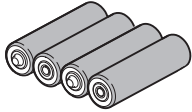
Parts Bag
Kleinteilebeutel
Sachet de pièces détachées



Cross wrench
Steckschlüssel
Clé à tube



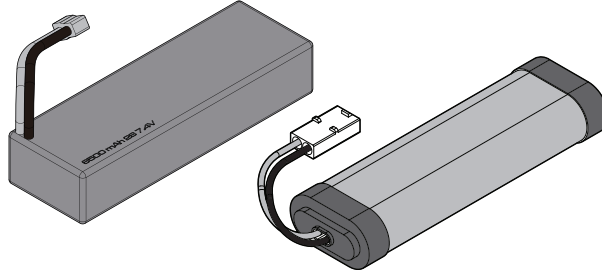
Equipment needed / Benötigtes Zubehör / Equipement nécessaire



x4

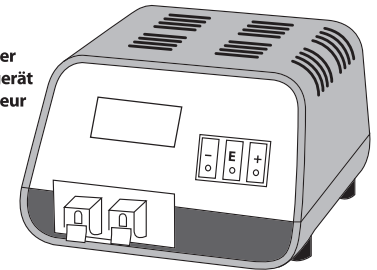
8AA Alkaline Dry Batteries.
8 St. AA Trockenbatterien.
8 piles type R6 pour votre
radio commande.

Battery
Akku-Pack
Pack de batterie

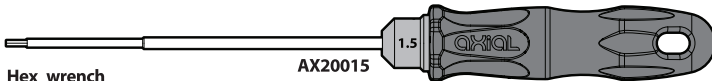


Deans Plug Connector Required

Charger
Ladegerät
Chargeur

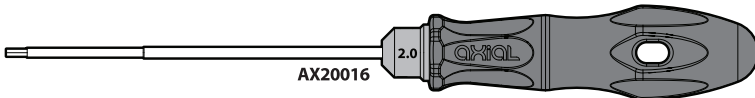


Tools Recommended / Benötigte Werkzeuge / Outillage

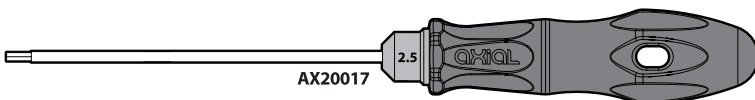


Hex wrench
Inbusschlüssel
Clé Allen

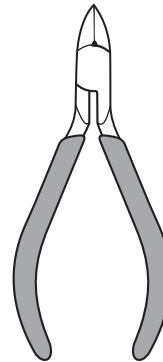
AX20015



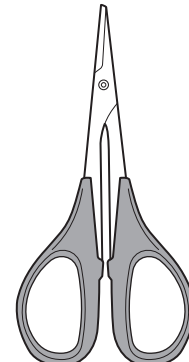
AX20016



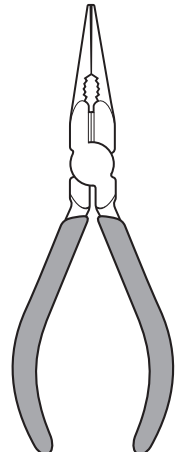
AX20017



Side cutter
Seitenschneider
Pincès coupantes

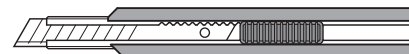


Curved scissors
Schere
Ciseaux

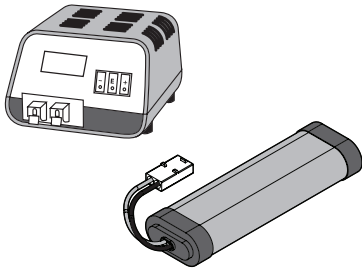


Long nose pliers
Flachzange
Pincès à becs longs

Modeling knife
Modelliermesser
Couteau de modéliste



Charge your battery / Laden des Fahrakkus / Chargement de la batterie



Follow the manufacturer's directions for the charger you purchased to properly charge your batteries.

Folgen Sie den Herstelleranweisungen für den Auflader Ihres gekauften ordentlich, Ihre Batterien zu laden.

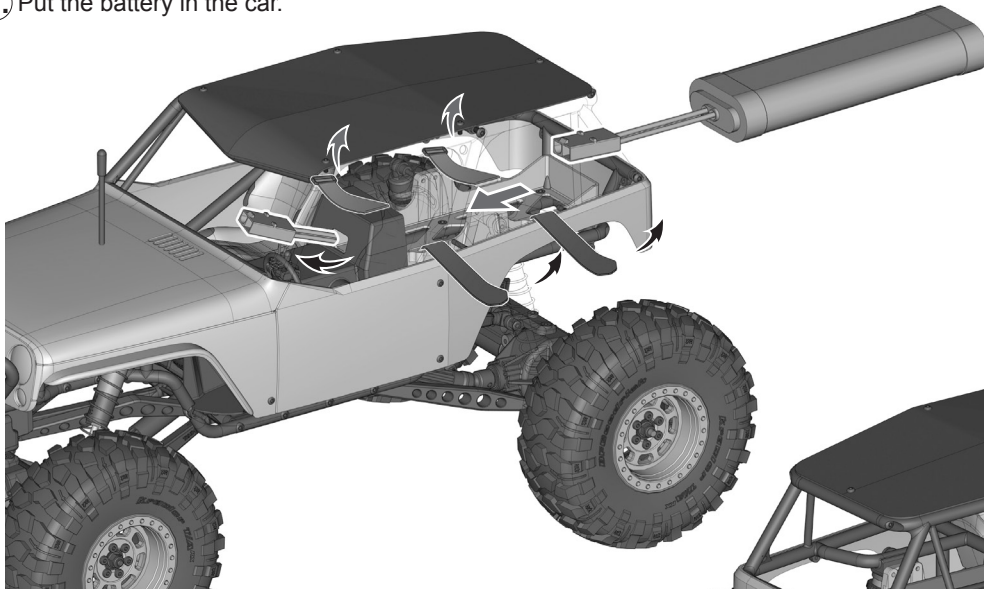
Suivre les directions de fabricants pour le chargeur votre a acheté convenablement pour charger vos piles.

Make sure charger is correct for battery type selected for use. Examples: Do NOT charge Lipo batteries with Nickel Metal Hydride charger. Do NOT charge Nickel Cadmium batteries Lipo charger.

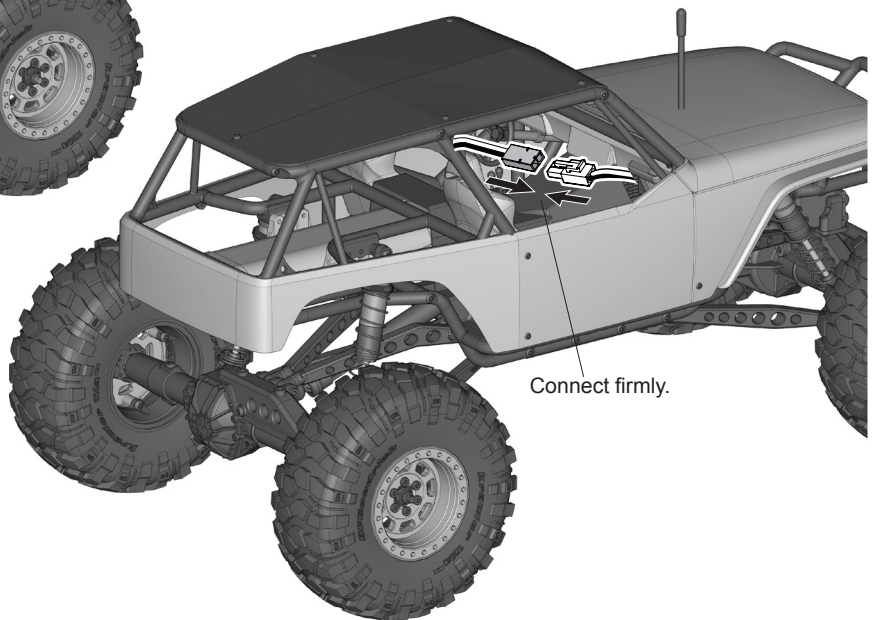
Stellen Sie sicher, Ladegerät ist korrekt für Batterietyp zur Verwendung ausgewählt. Beispiele: Laden Sie keine Lipo-Akkus mit Nickel-Metall-Hybrid-Ladegerät. Laden Sie keine Nickel-Cadmium-Akkus Lipo Ladegerät.

Assurez-vous que le chargeur est correcte pour le type de batterie sélectionné à l'emploi. Exemples: Ne pas charger les batteries Lipo avec chargeur hydrure métallique de nickel. Ne chargez pas les batteries au nickel-cadmium Lipo chargeur.

1. Put the battery in the car.

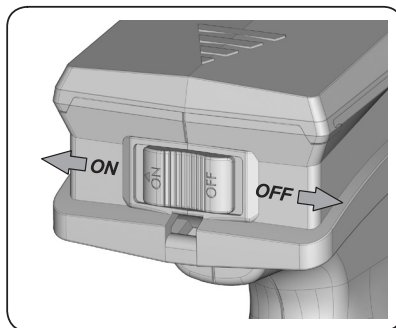


2. Install the battery.

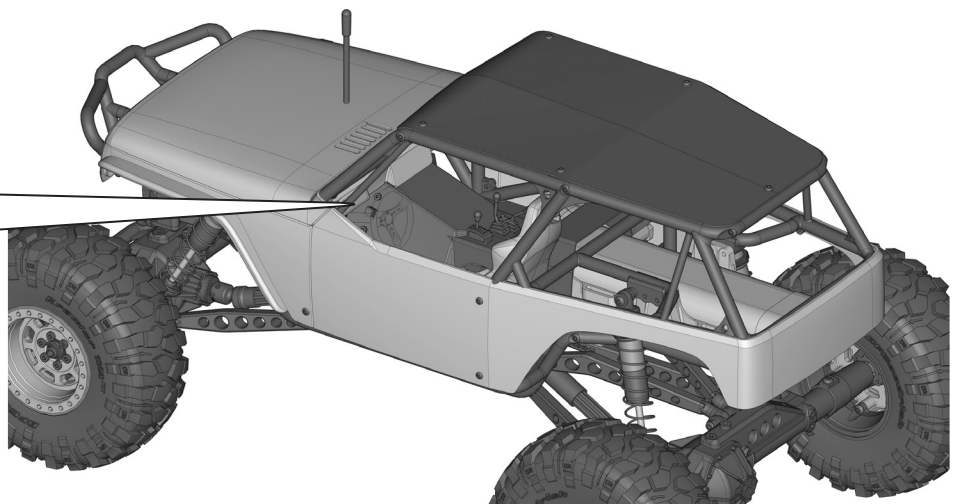
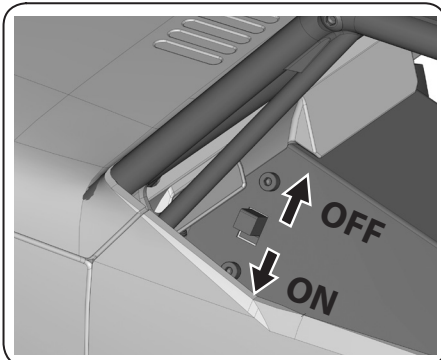


Connect firmly.

3. Turn on the transmitter.



4. Turn on the electronic speed controller.



Getting-Started Checklist

The following checklist is a guide for getting your vehicle running for the first time.

- Read 'Cautions' in Manual. (Page 2)
- Familiarize yourself with vehicle and its components.
- Even though the vehicle is new check driveshaft setscrews and other screws to make sure they are tight from the factory.
- Charge battery pack. (Page 4)
- Install 4X AA batteries into Transmitter. (Page 7)
- If you are using NiMH or NiCd batteries turn OFF Lipo cut-off on the ESC. (Page 6 'Notes')
- Install battery pack in vehicle. (Page 4)
- Turn on transmitter FIRST then ESC. (Page 4)
- Check to make sure steering and throttle operation work correctly. (Page 7)
- Range check radio system. (Below)
- Drive vehicle, challenge yourself and have fun!
- Maintain vehicle. (Below)

Range-Checking Your Radio System

The radio system should be checked before operating the vehicle to ensure it's operating properly and has adequate range.

1. Turn on the transmitter first and then the vehicle.
2. Have a friend hold the vehicle while keeping hands and loose clothing away from moving parts.
3. Walk away until you are at the farthest distance you plan to operate the vehicle.
4. Steer the vehicle back and forth and throttle both forward and reverse making sure there is no erratic behavior.
5. If any erratic behavior is exhibited do not operate the vehicle, call customer service for further assistance.

Maintaining Your Vehicle

Just like a full size car or truck your RC vehicle must undergo periodic maintenance in order to ensure peak running performance. Preventative maintenance will also help avoid needless breakages which could result in costly repairs. Below are some suggestions to properly maintain your vehicle.

- Replace any noticeable bent or broken parts.
- Keep the chassis free of dirt and debris.
- Check for loose screws on chassis especially the knuckle, c-hub, and axle lockout screws.
- Check for wear on the ball joints in the steering and suspension links, replace if necessary.
- Check driveshaft set screws and re-thread lock if necessary.
- Check wheel nuts making sure they're snug.
- Check tires making sure the beads are still firmly bonded to the entire circumference of the rim.
- Replace transmitter AA's if the green light is blinking.
- Inspect the spur and pinion gears for damage.
- Check slipper clutch, if applicable, for proper operation. (See page 25 Step 23 for Setup Instruction)
- Check driveline for smooth bind-free operation.
- Check for any loose connections or frayed wiring.
- Check steering operation for any binds.
- Inspect shock absorbers for smooth dampened operation.
- Check receiver antenna to confirm it's not damaged.

Warranty Info

AXIAL LIMITED WARRANTY

Your Axial product is warranted to be free of defects in materials and workmanship when new in the factory sealed box. This warranty does not cover damages due to normal wear and tear, users' failure to perform routine maintenance, error of assembly or installation, modifications or addition of aftermarket parts or option parts. This warranty lasts as long as the original purchaser owns the product and is not transferable (verified by dated itemized sales receipt accompanied with product). In the event of a defect under this warranty, Axial will, at our discretion, repair or replace the product, provided our inspection indicates that an original defect exists. Axial provides a 10-day warranty from the date of purchase on electronics (i.e. servo, esc, radio). Axial reserves the right to replace any product which is no longer available with a product of comparable value and function. If Axial determines the repair is not covered under warranty guidelines, there could be a charge applied for the repair and return shipping charges. Note: Purchasing products from unauthorized distributors may void warranty and prevent support and service.

INTERNATIONAL CUSTOMER WARRANTY

Please return product to the dealer where the purchase was made. If your Axial product purchase was made through an on-line retailer, any warranty issues must be taken care of by that retailer. Axial assumes no responsibility for Axial products sold internationally by on-line retailers.

REPAIR

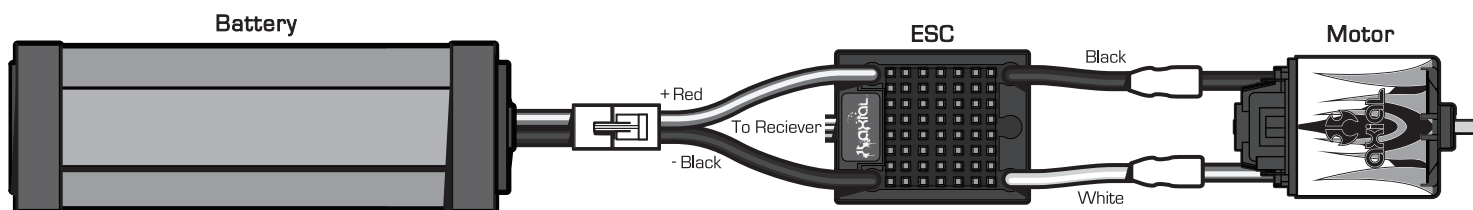
For warranty repair, please contact Axial Customer Service at (877) 64-AXIAL (877-642-9425).

HOURS AVAILABLE:

8:00 am - 5:00 pm Monday through Friday, Central Time.

AX24259

AE-2 Forward/Reverse ESC Instructions



Setup:

- Mount the ESC in an area that is well ventilated and isolated from vibration and shock.
- Connect the ESC wires to the motor.
- Plug the receiver wire into the throttle channel on the receiver.
- Before plugging the battery into the ESC, make sure your transmitter is on and the throttle trim is set at zero.
- Plug in the battery to the ESC with the ESC switch in the OFF position.
- Apply full throttle on the transmitter.
- Turn on the ESC switch while applying full throttle.
- The ESC will emit a series of beeps with the red LED.
- Continue applying full throttle until the ESC blinks green and emits a series of beeps.
- Once the esc blinks red, apply full brake/reverse.
- The ESC will emit a series of beeps while blinking red to finalize the brake/reverse endpoint.
- Return the throttle to the neutral position and the ESC will emit a series of beeps to finalize the neutral point.
- The ESC will emit a final series of beeps confirming the ESC is ready to work.
- Apply throttle to make sure the motor is going the direction you wanted. To reverse the direction of the motor, switch the wires going to the motor.

Do not reverse the battery wire connections! Reversing the battery polarity will permanently damage the ESC.

Notes:

- If ESC setup does not initialize when holding the full throttle, try switching the throttle reversing switch on the transmitter.
- LiPo Cut-Off is set to "ON" from the factory. If you're using NiMH or NiCd batteries turn "OFF" LiPo Cut-Off by visiting the following link for Manually Programming the AE-2 ESC :
<http://www.axialracing.com/instructions>.
- You can also use the Castle Link to access LiPo Cut-Off and other advanced settings in the ESC.
Visit <http://www.castlecreations.com/> for more information on the Castle Link USB Programming Kit.



CONNECT THE BATTERY PACK JUST BEFORE DRIVING AND DISCONNECT IT IMMEDIATELY AFTER.
ALWAYS MAKE SURE YOU ARE CONNECTING THE ESC TO A PROPER POWER SOURCE THAT HAS THE CORRECT VOLTAGE & POLARITY. INCORRECT VOLTAGES OR REVERSED POLARITY WILL DAMAGE THE ESC.
ONCE THE BATTERY PACK IS CONNECTED, HANDLE THE MODEL WITH EXTREME CARE, MAKE SURE YOU ARE CLEAR OF ALL ROTATING PARTS.

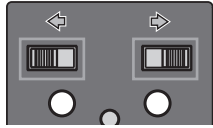
Specifications:	
Input voltage:	6 Cell Ni/2S LiPo
Size:	1.7 in x 1.24 in
Weight:	45 grams
Motor Limit:	19T
On-Resistance FET:	.0018
Rated/Peak Current:	106A Peak
Braking Current:	106A Peak
BEC Voltage/A:	5.0V 2.0A Peak
PWM Frequency:	6 KHZ

AX24259-1001

SETUP BEFORE STARTING - EINSTELLUNG VOR DEM START

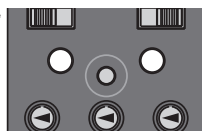
Steering and Throttle Reverse Switch Servo Reverse Schalter

Servo Factory Settings
Beachten Sie die Pfeile für die Servo Grundeinstellung



Binding Button Binding Taster

The other side
Rückseite



ST-D/R Steering Dual Rate Maximaler Lenkausschlag



To be used to adjust steering servo rate and range.
Einstellung des maximalen Lenkausschlages.

Battery Level Indicator Batterie Statusanzeige

Good Batteries
Volle Batterien

Low Batteries
Fast leere Batterien

When the batteries are low the green indicator light will flash.

Throttle Trim Gastrimmung

To be used for trimming the throttle operation.
Wird verwendet um den Gasnullpunkt einzustellen.



Steering Trim Lenktrimmung

To be used for trimming the steering operation.
Wird verwendet, um den Geradeauslauf einzustellen.



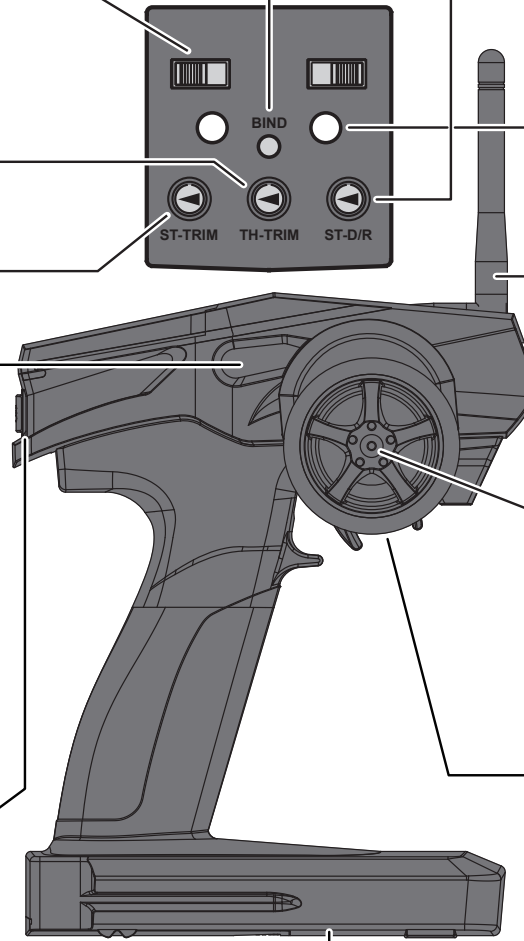
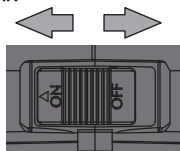
Charger plug in Ladebuchse



※ Rechargeable AA batteries required.
Charger not included. Nutzen Sie diese Ladebuchse nur mit aufladbaren Batterien.

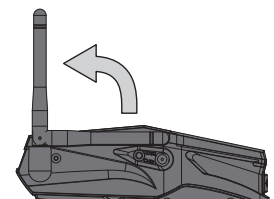
Power Switch Ein/Aus Schalter

ON AN OFF AUS



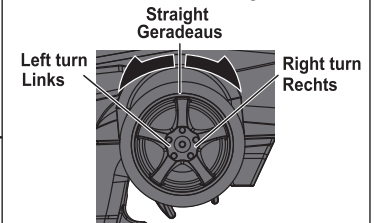
Antenna/Antenne

Flip the antenna up before use



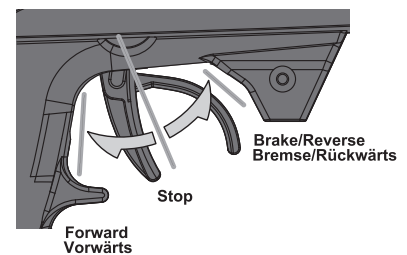
Steering Wheel Lenkrad

To be used for steering operation.
Wird verwendet um das Fahrzeug zu steuern.



Throttle Trigger Gas/Brems Hebel

To be used for throttle operation.
Um das Fahrzeug zu beschleunigen & abzubremsen.



RADIO BINDING INSTRUCTIONS

The radio system is bound from the factory so no binding should be necessary. However, if you are matching a new receiver to the transmitter, please follow these steps:

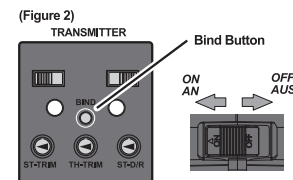
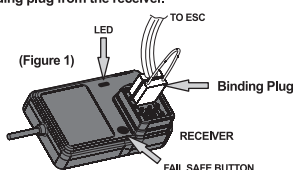
1. Install AA batteries into the transmitter.
2. Insert the binding plug into CH 3 port on the receiver. (Figure 1)
3. Turn on the receiver. You will notice the two LED's are now flashing meaning the receiver is in 'seek' mode and ready to find the transmitter.
4. Press and hold the binding button on the transmitter while turning on the power switch. (Figure 2)
5. The LED's on the receiver should stop flashing indicating it's now bound to the transmitter.
6. Release the binding button on the transmitter and remove the binding plug from the receiver.
7. Turn off the receiver, then turn off the transmitter. Once powered on again, radio binding has been completed.

If the system did not bind please repeat step's 1-7 again or call Axial Customer Service: (877) 64-AXIAL (877-642-9425).

NOTE: the AX-3 transmitter will only bind with the AR-3 receiver

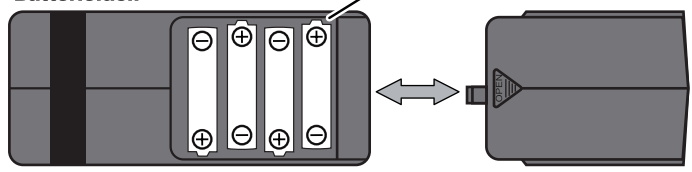
Fail Safe Programming

1. With the radio system bound and powered up, position the throttle trigger to the stop position. For electric applications with drag brake, put the trigger in the stop position. For Nitro applications, position the throttle to apply some amount of brake.
2. With the throttle trigger positioned to desired fail safe position press and hold the button on the receiver until the red LED starts flashing. As soon as it starts flashing release the button; it will then flash for 3 more seconds. Fail safe is now programmed.
3. To test, elevate your vehicle so the tires are off the ground. Apply some throttle and turn the transmitter off. If the throttle returns to neutral within a few seconds, fail safe is programmed correctly. If your vehicle keeps running, fail safe was not programmed correctly; repeat steps 1 and 2.



Battery Cover Batteriefach

4X AA alkaline batteries
4X Piles alcalines AA



Transmitter Battery Installation/Einglegen der Senderbatterien

Open battery cover at bottom of transmitter. Install batteries. Follow the direction of batteries designated in the inside of battery box.

Öffnen Sie das Batteriefach an der Unterseite des Senders. Legen Sie die Batterien entsprechende der angegebenen Polarität ein.

! ATTENTION

Do not mix batteries of different ages or types.
Mischen Sie keine Batterien verschiedenen Typs oder Alters.



- NEVER RUN R/C MODEL IN CROWDED AREA OR NEAR SMALL CHILDREN
- PROTECT YOUR SYSTEM FROM MOISTURE
- REMOVE BATTERY FROM R/C MODEL WHEN STORING



Problem
Problem
Problème

Cause
Grund
Cause

Remedy
Lösung
Remède

Does not move
Das Auto fährt nicht
Le véhicule ne bouge pas

Batteries are not installed properly in the transmitter.
Die Batterien sitzen nicht korrekt im Sender.
Les piles ne sont pas placées correctement dans l'émetteur.

Make sure batteries are properly installed.
Legen Sie die Batterien korrekt ein.
Positionnez correctement les piles dans l'émetteur.

Weak or no battery in model.
Leerer oder kein Akku im Auto.
Batterie faible ou non installée

Install charged battery.
Einbauen eines geladenen Akkus.
Mettez en place une batterie chargée

Damaged motor.
Kaputter Motor.
Moteur endommagé

Replace with new motor.
Austausch durch einen neuen Motor.
Remplacez par un nouveau moteur

Frayed or broken wiring.
Beschädigte Verkabelung.
Câble dénudé ou coupe

Splice and insulate wiring completely.
Erneuern und isolieren Sie die kaputte Stelle.
Faites une épissure et isolez complètement le câble.

ESC is shut down by heat protection circuit.
Notabschaltung des Reglers wegen Überhitzung.
Le système ESC est fermé par le circuit de protection thermique.

Stop driving immediately, do not drive the car until the Speed Controller cools down.
Fahren Sie nicht weiter. Warten Sie bis der Fahrten regler abgekühlt ist.
Arrêtez immédiatement de conduire, ne pilotez pas la voiture tant que le contrôleur de vitesse n'a pas refroidi.

No Control.
Keine Kontrolle über das Auto
Pas de contrôle

Improper antenna on transmitter or model.
Zu kurze Antenne am Sender oder Auto.
Antenne inadéquate sur l'émetteur ou le véhicule

Install charged or fresh batteries.
Einbauen voller Batterien.
Mettez des batteries rechargées ou neuves.

Weak or no batteries in transmitter or model.
Leere oder keine Batterien im Sender oder Auto.
Batterie faible ou absente dans l'émetteur ou le véhicule.

Fully extend antenna.
Ziehen Sie die Antenne vollständig aus.
Dépliez complètement l'antenne.

Neutral position or trim is incorrect.
Neutralposition oder Trimmung sind verstellt.
La position neutre est incorrecte ou le trim n'est pas réglé.

Adjust the steering trim.
Stellen Sie die Lenkungstrimmung neu ein.
Réglez le trim de direction.

Are the receiver and battery connections properly connected?
Sind der Empfänger und die Batterieverbindungen ordentlich verbunden?
Son conectadas apropiadamente las conexiones del receptor y la batería?

Check receiver and battery connections.
Prüfen Sie Empfänger und Batterieverbindungen.
Compruebe conexiones de batería y receptor.

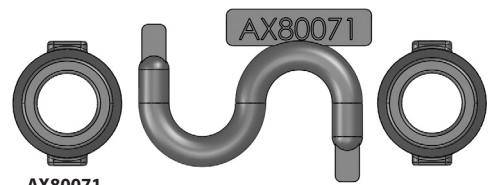
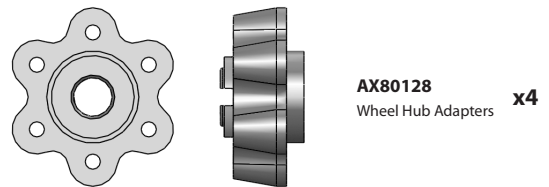
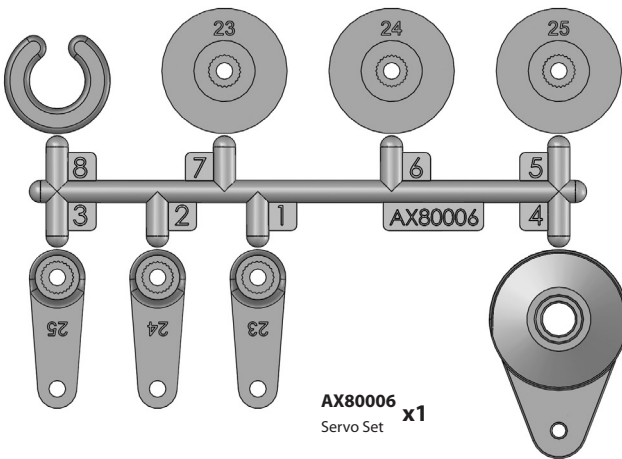
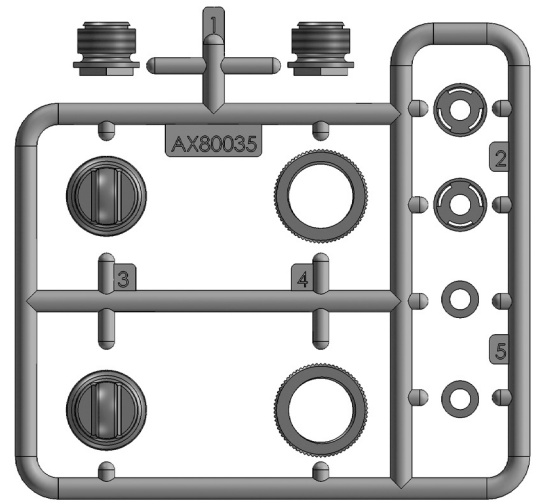
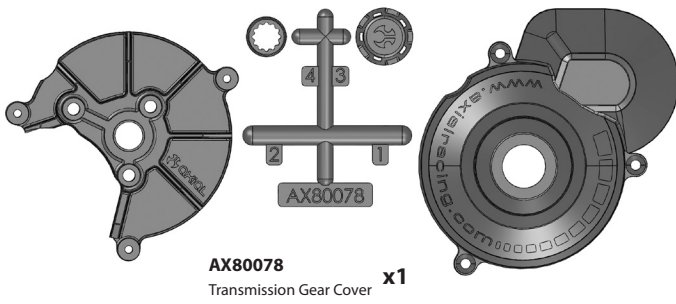
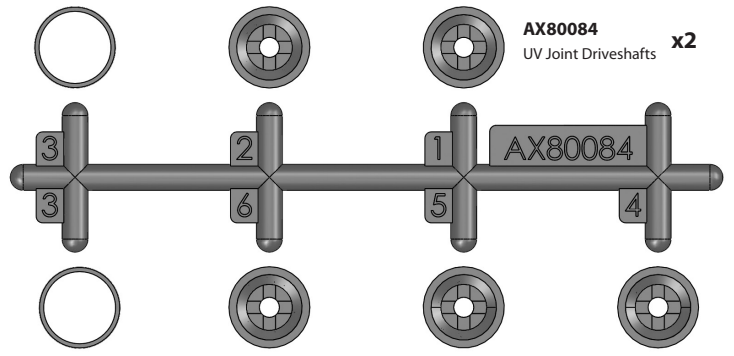
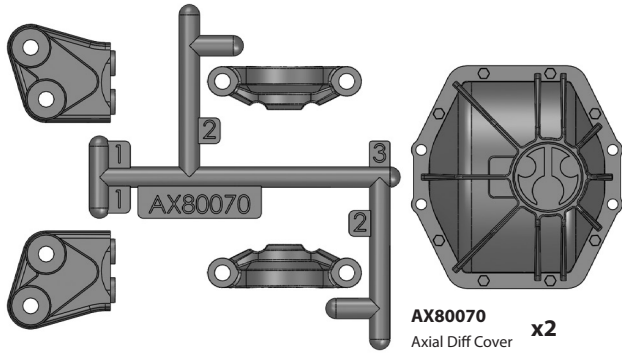
Steering and Throttle Function Reversed.
Lenkung und Gas funktionieren genau verkehrt herum.
Direction et accélération inverses.

Servo reverse switch is in wrong position.
Servorichtungs-Schalter ist in der falschen Position.
L'interrupteur de marche arrière du servo est dans la mauvaise position

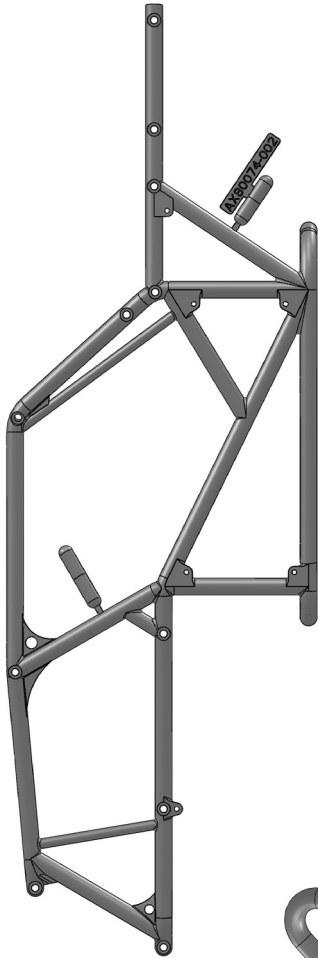
Set to correct position.
Satz, Position zu korrigieren
Vérifiez la position correcte

Please check that the wires from ESC to motor are connected properly.
Bitte überprüfen Sie, ob die Kabel vom Regler zum Motor richtig sitzen.
Veillez vérifier que les fils allant de l'ESC au moteur sont correctement raccordés.

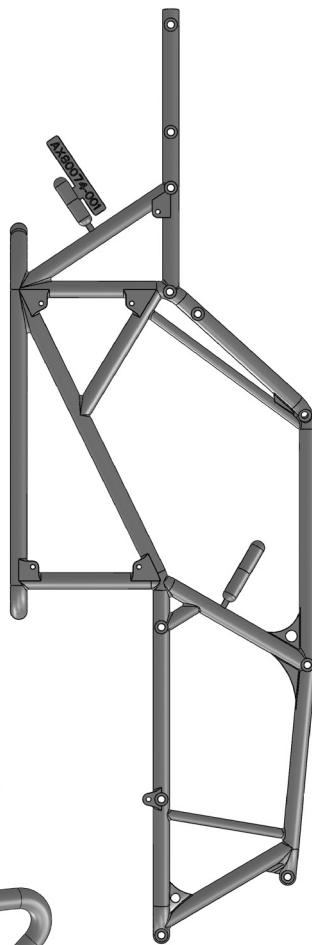
Check to make sure motor and ESC are properly connected.
Kontrolle sich zu vergewissern, dass Motor und ESC ordentlich verbunden sind.
Le contrôle pour assurer que le moteur et ESC est convenablement connecté.



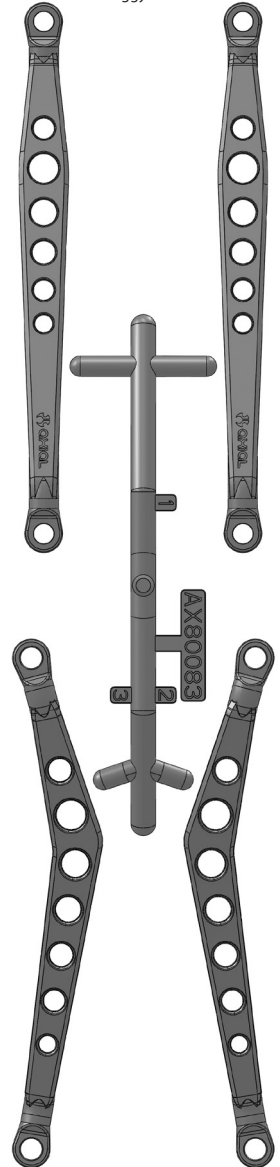
AX80088
Rock Buggy Main Frame **x1**



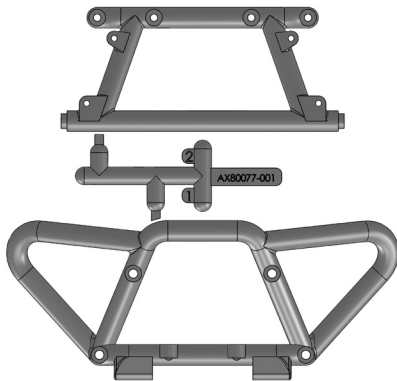
AX80087
Rock Buggy Main Frame **x1**



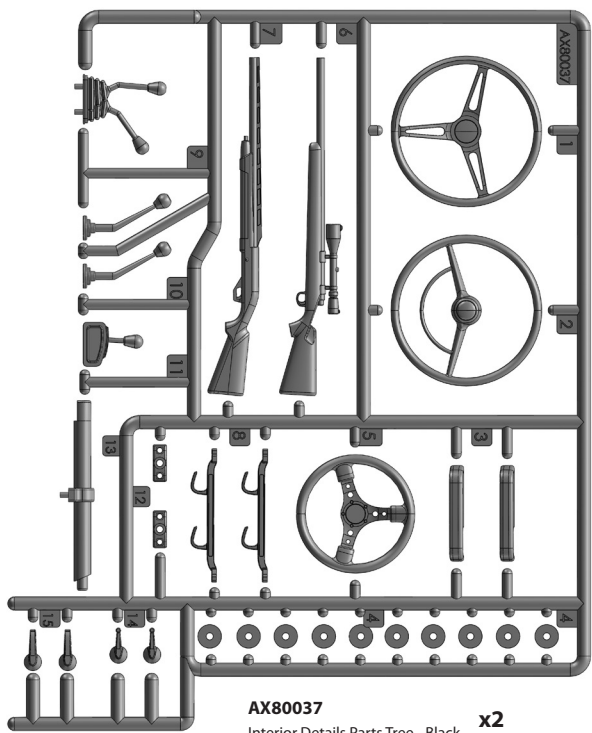
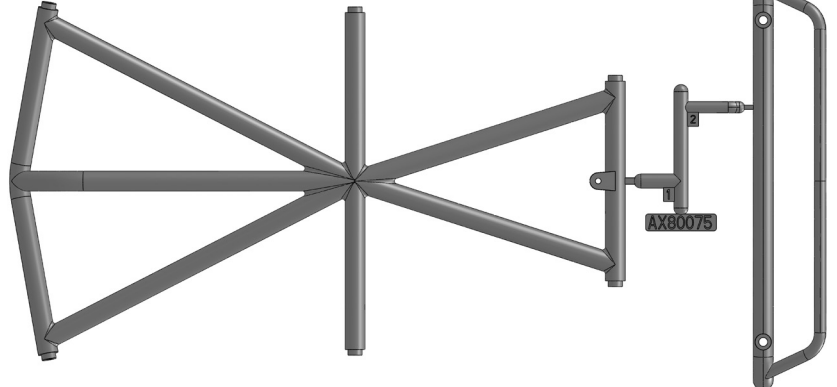
AX80083
Rock Buggy Links Set **x2**



AX80077
Rock Buggy Front End 1 **x1**

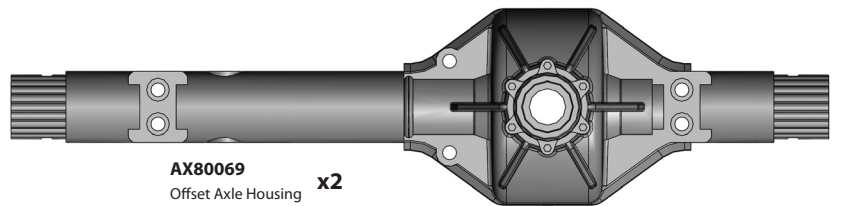


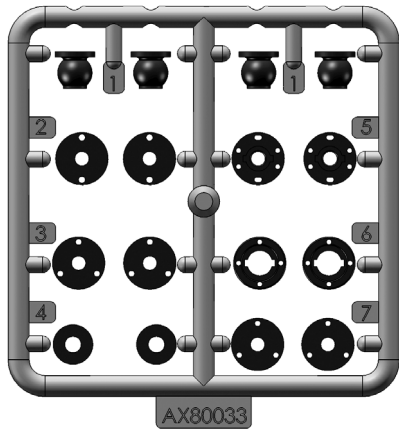
AX80075
Wraith Tube Frame TOP **x1**



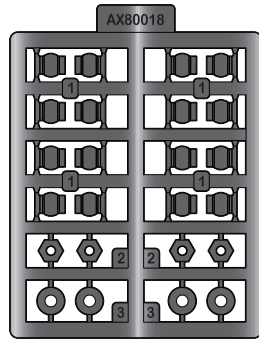
AX80037
Interior Details Parts Tree - Black **x2**

AX80069
Offset Axle Housing **x2**

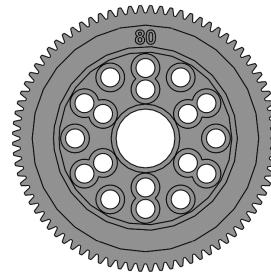




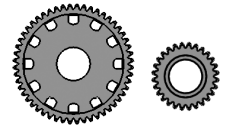
AX80033
10mm Shock Set 1 **x2**



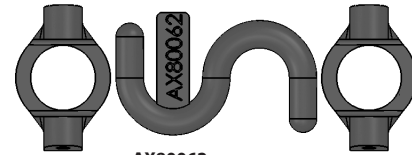
AX80018
Hardware Parts Tree **x2**



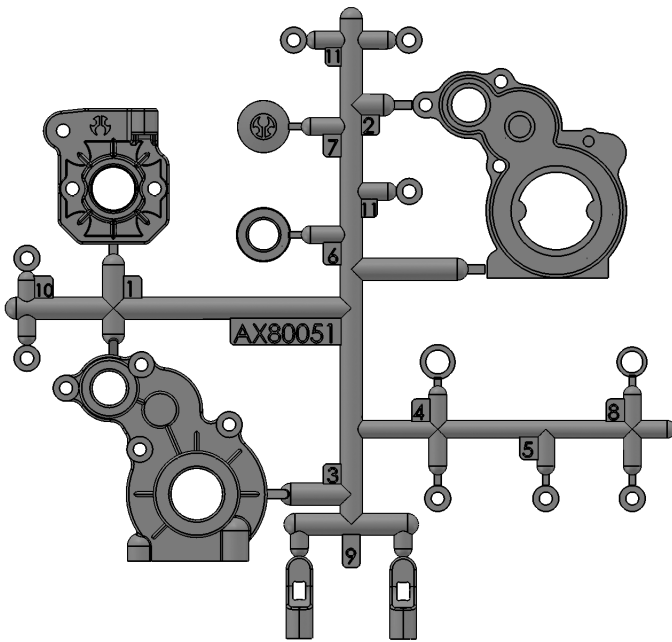
AX30665
Spurs 48DP 80T **x1**



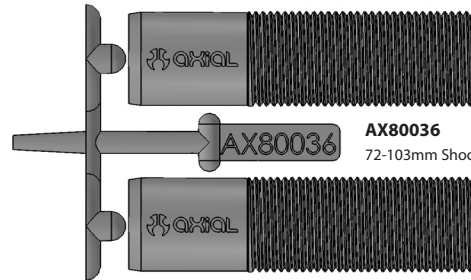
AX80010
Gear Set **x1**



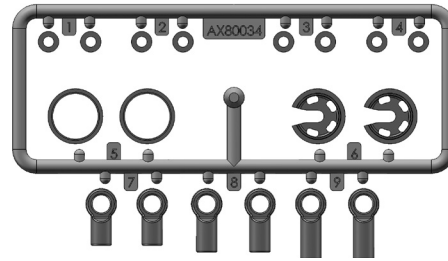
AX80062
XR10 C Hub Carrier Set **x1**



AX80051
Dig Transmission Case **x1**



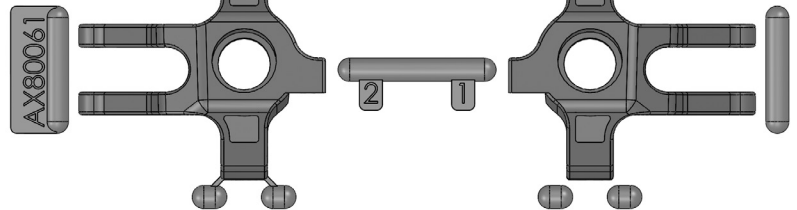
AX80036
72-103mm Shock Body **x2**



AX80034
10mm Shock Set 2 **x2**



AX30419
Solid Axle Dogbone 7x69mm **x1**



AX80061
Steering Knuckles Plastic Set **x1**



AX30419
Solid Axle Dogbone 7x125mm **x1**



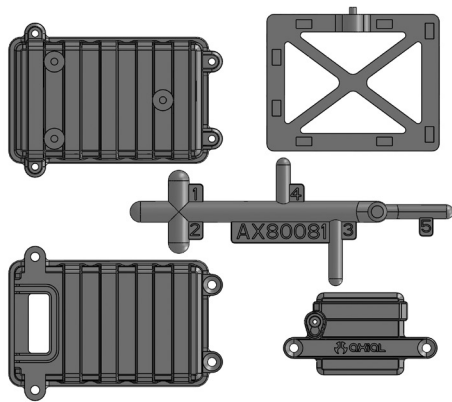
AX30776
Straight Axle Shaft 6x104.2mm **x1**



AX30155
Shock Shaft 3x59.5 **x4**

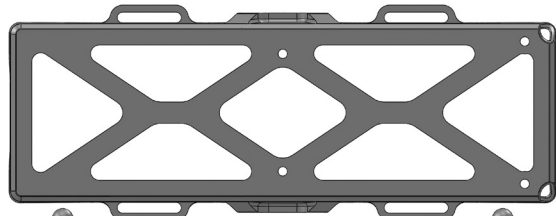
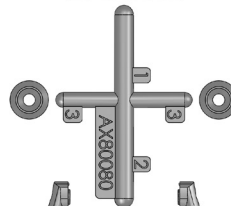
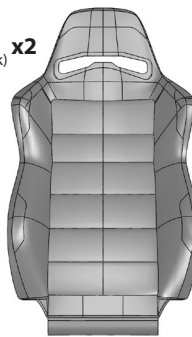


AX30776
Straight Axle Shaft 6x160.2mm **x1**

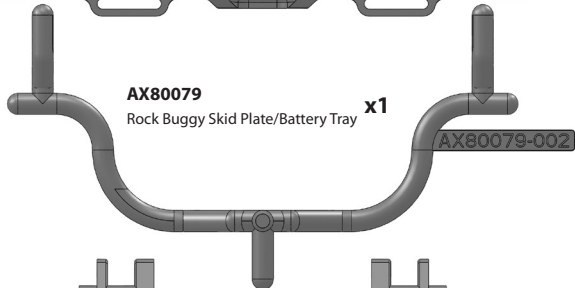


AX80081
Radio Case x1

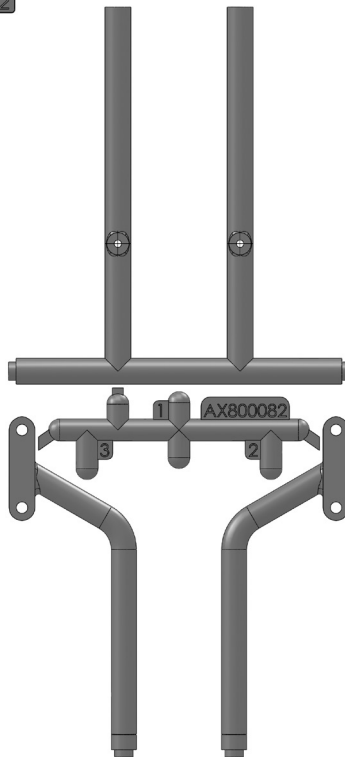
AX80090
Corbeau LG1 Seat(Black) x2



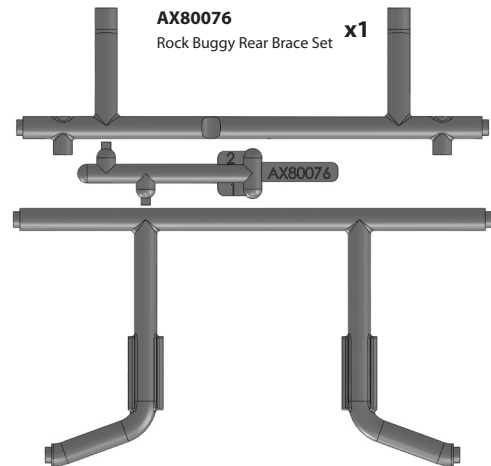
AX80079
Rock Buggy Skid Plate/Battery Tray x1



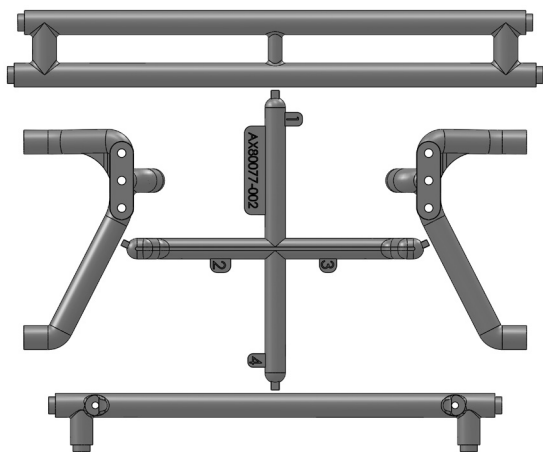
AX80076
Rock Buggy Battery Brace x2



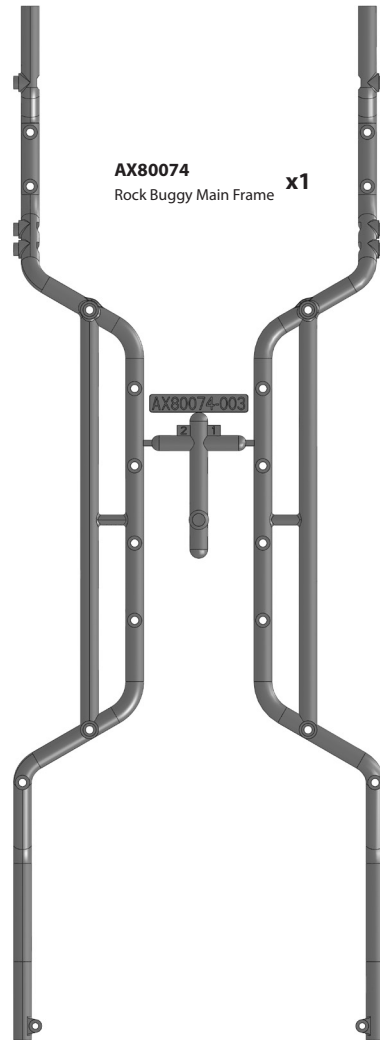
AX80076
Rock Buggy Rear Brace Set x1



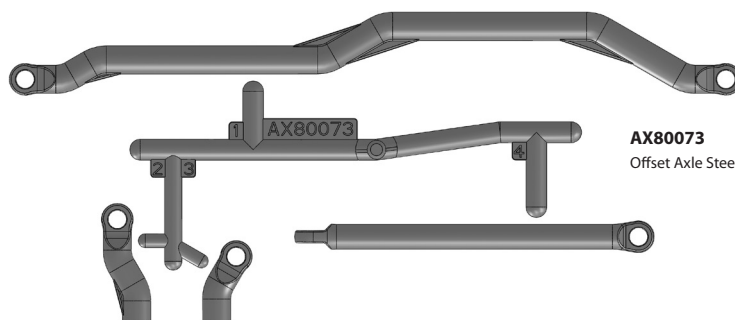
AX80089
Rock Buggy Front End 2 x1



AX80074
Rock Buggy Main Frame x1



AX80073
Offset Axle Steering Link x1





AX30162
Pin 1.5x8mm **x2**



AX30163
Pin 2x10mm **x6**



AX30166
Pin 1.5x11mm **x4**



AXA180
M3x3mm **x10**



AXA0175
Screw Shaft M3x2.5x11mm **x4**



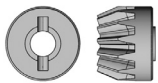
AXA187
Set Screw M3x20mm **x4**



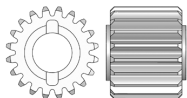
AX30463
Universal Joint Axle Pin holder **x4**



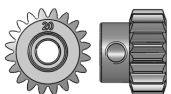
AX30450
Flange Pipe 3x4.5x5.5 **x4**



AX30392
13T Bevel Gear **x2**



AX30394
20T Drive Gear **x1**



AX30578
Pinion 48DP 20T **x1**



AXA1393
E2.5 e-clip **x2**



AX30113
Rubber Bump Stop 3.6x7x4 **x4**



AX30413
Slipper spring **x1**



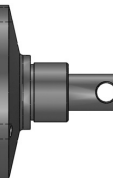
AX30112
Shock Diaphragm 13x4.5mm **x4**



AX30784
Drive Shaft Coupler **x4**



AX30784
Drive Shaft Output **x4**



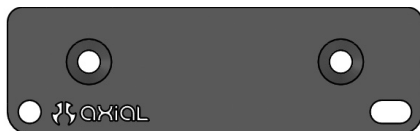
AX30435
Steel Outdrive Shaft **x1**



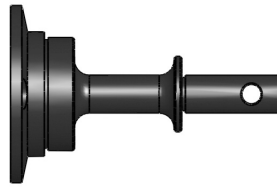
AX30190
Shaft 5x18 **x1**



AX30408
Input Shaft 5x29mm **x2**



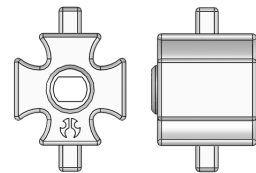
AX30777
56x17mm Servo Plate **x1**



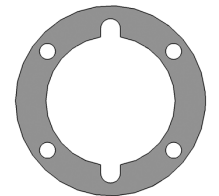
AX30437
Dig Lockout Shaft **x1**



AX30368
Axle 6x39mm **x2**



AX30500
Heavy Duty Locker **x2**



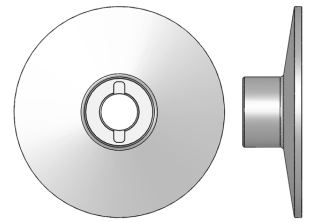
AX30385
Diff Gasket 16x25x0.5mm **x2**



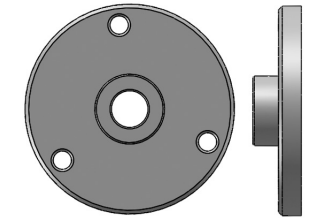
AX30198
Slipper Drive gear Shaft 5x53.5 **x1**



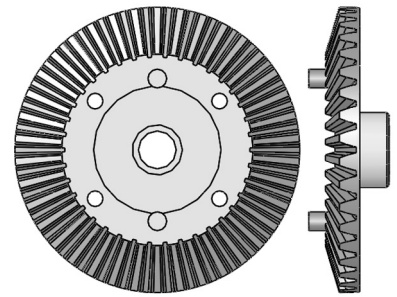
AX30491
Axial 10 Scorpion Motor Plate **x1**



AX30410
Inner Slipper Plate **x1**



AX30411
Outer Slipper Plate **x1**



AX30392
38T Bevel Gear **x2**



AX30224
Axial Spring 14X70mm 1.43lbs/in Purple (2) **x4**



AXA1040
M3 Thin Hex Nut **x2**



AXA1041
M2.5 Nylon Lock Nut **x4**



AXA1052
M3 Thin Nylon Locking Hex Nut **x18**



AXA1053
M3 Nylon Locking Hex Nut **x3**



AXA1069
Washer 2.7x6.7x0.5 mm **x8**



AXA1070
Washer 3x6x0.5 mm **x6**



AXA1071
Washer 4x8x0.5mm **x1**



AXA1091
Washer 5x10x0.5mm **x1**



AXA1184
O-Ring 7.5x1.5mm **x4**



AXA1202
O-Ring 3.5x2mm **x8**



AXA1218
Bearing 5x10x4mm **x4**



AXA1221
Bearing 5x11x4mm **x11**



AXA1230
Bearing 10x15x4mm **x6**



AXA1225
Bearing 8x16x5mm **x1**



AXA1243
Bearing 15x21x4mm **x1**



AXA0109
M3x10mm Servo Flange Screw **x4**



AXA1356
Silicone Shock Bushing 7.5x8mm **x4**



AXA1046
M4 Serrated Nylon Locking Nut (Blue) **x5**



AXA013
M2x6mm **x9**



AXA015
M2x10mm **x16**



AXA0023
M2.6x8mm **x24**



AXA083
M3x6mm **x5**



AXA087
M3x16mm **x8**



AXA089
M3x25mm **x3**



AXA091
M3x30mm **x2**



AXA0113
M3x6mm **x5**



AXA115
M3x10mm **x4**



AXA117
M3x15mm **x3**



AXA118
M3x18mm **x8**



AXA144
M3x8mm **x4**



AXA0412
M2.6x6mm **x3**



AXA0413
M2.6x8mm **x4**



AXA0414
M2.6x10mm **x6**



AXA0416
M2.6x18mm **x2**



AXA463
M3x6mm **x2**



AXA464
M3x8mm **x4**



AXA465
M3x10mm **x6**



AXA466
M3x12mm **x6**



AXA0422
M2.6x6mm **x15**



AXA433
M3x6mm **x8**



AXA434
M3x8mm **x2**



AXA435
M3x10mm **x36**



AXA436
M3x12mm **x7**



AXA0437
M3x15mm **x9**



AXA438
M3x18mm **x46**



AXA0439
M3x20mm **x4**



AXA440
M3x25mm **x2**



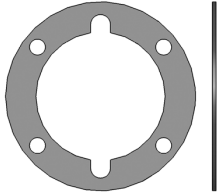
AXA441
M3x30mm **x2**



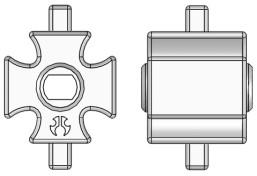
AXA015
M2x10mm **x8**



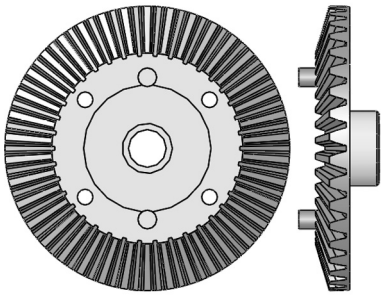
AXA1230
Bearing 10x15x4mm **x4**



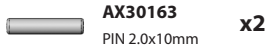
AX30385
Diff Gasket 16x25x0.5mm **x2**



AX30500
Heavy Duty Locker **x2**



AX30392
38T Bevel Gear **x2**



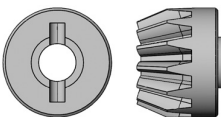
AX30163
PIN 2.0x10mm **x2**



AXA1393
E2.5 e-clip **x2**

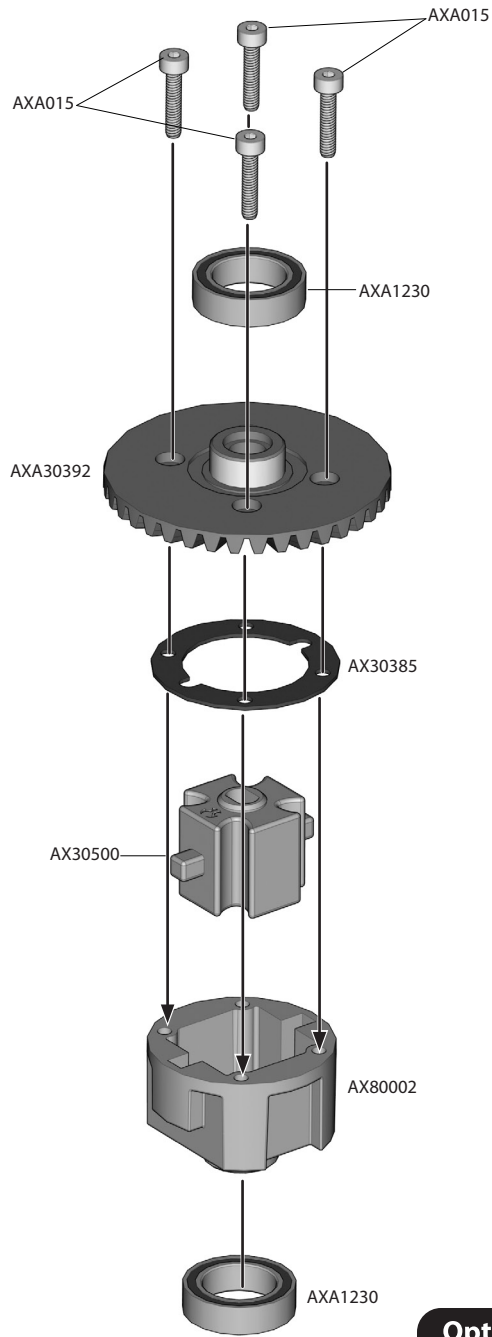


AX30408
Input Shaft 5x29mm **x2**



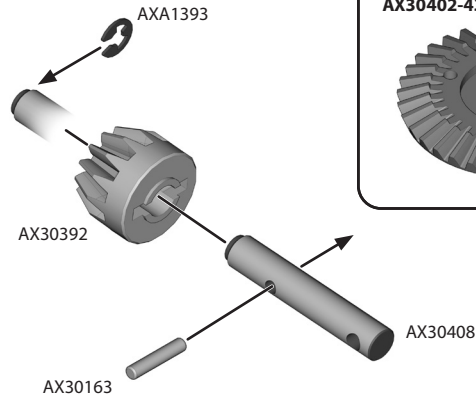
AX30392
13T Bevel Gear **x2**

1



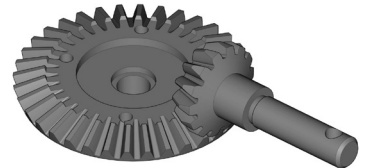
x2

x2



Option Parts

Heavy Duty Bevel Gear Set
AX30395-38T/13T
AX30401-36T/14T
AX30402-43T/13T





AXA1221
Bearing 5x11x4mm x4

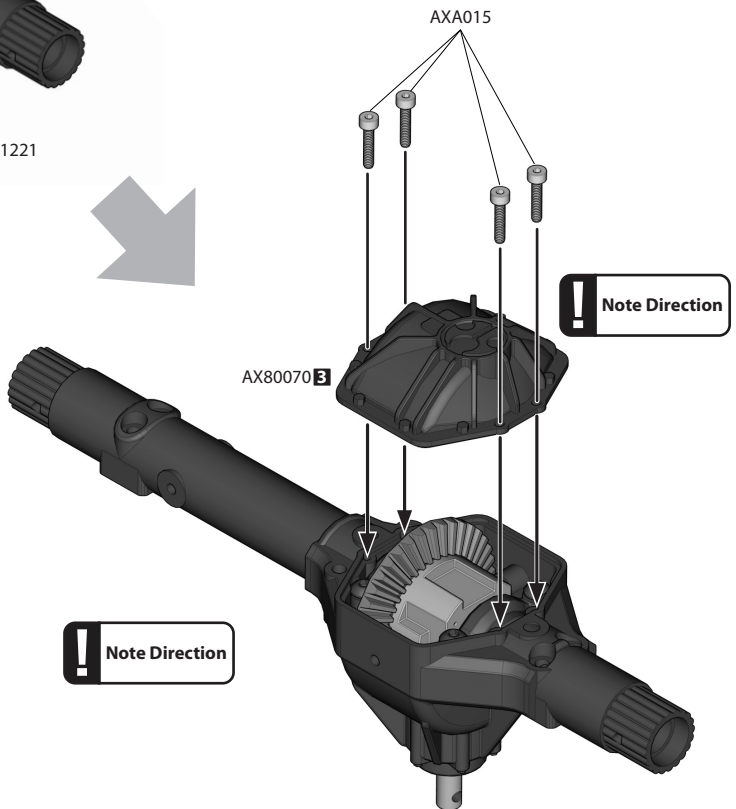
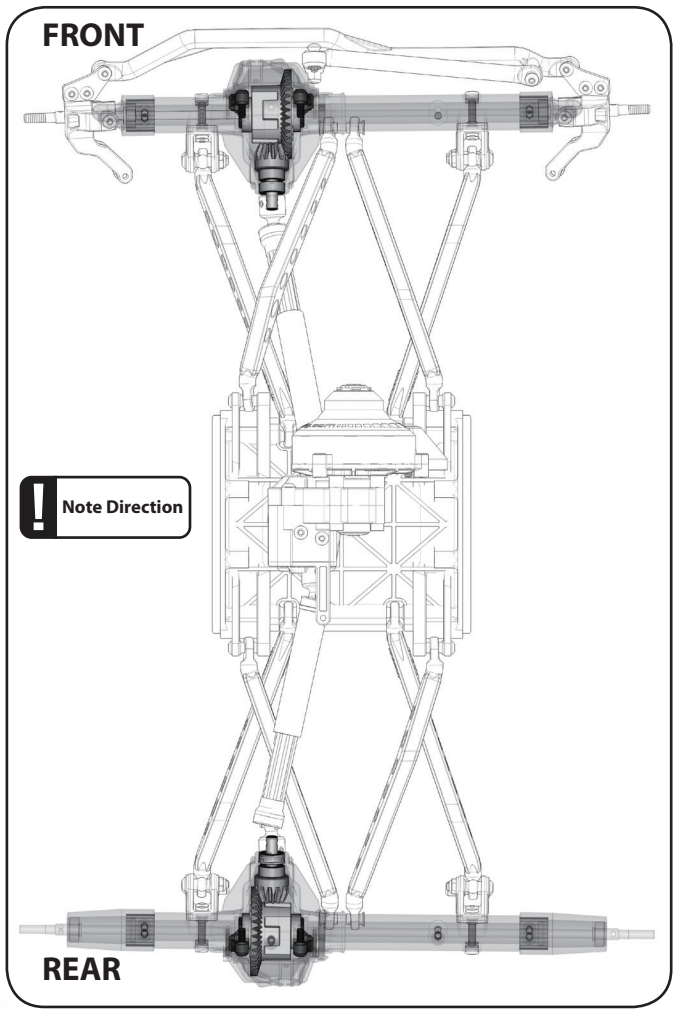
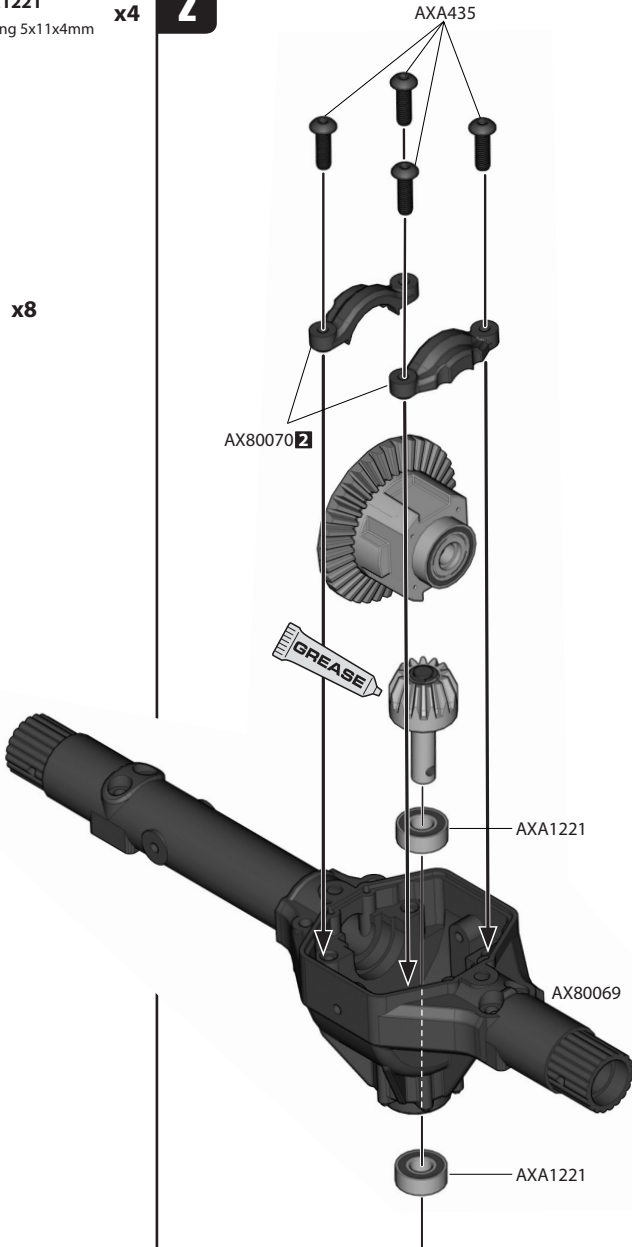
2



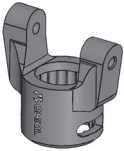
AXA435
M3x10mm x8



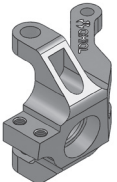
AXA015
M2x10mm x8



Option Parts



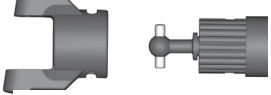
AX30762
Aluminum C Hub Carrier



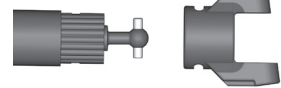
AX30760
Aluminum Steering Knuckle

Note Direction

LEFT



RIGHT



3

Front

AX30419
Solid Axle Dogbone 7x125mm **x1**

AX30419
Solid Axle Dogbone 7x69mm **x1**

Option Parts



AX30780
Universal Joint Axle



AXA1221
Bearing 5x11x4mm **x4**



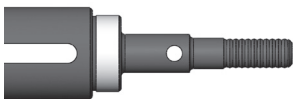
AXA1230
Bearing 10x15x4mm **x2**



AXA433
M3x6mm **x4**



AXA115
M3x10mm **x4**



AX30368
Axle 6x39mm **x2**



AX30450
Flange Pipe 3x4.5x5.5 **x4**



AX30368
Axle 6x39mm **x2**



AX30450
Flange Pipe 3x4.5x5.5 **x4**



AX30368
Axle 6x39mm **x2**



AX30450
Flange Pipe 3x4.5x5.5 **x4**



AX30368
Axle 6x39mm **x2**



AX30450
Flange Pipe 3x4.5x5.5 **x4**



AX30368
Axle 6x39mm **x2**



AX30450
Flange Pipe 3x4.5x5.5 **x4**



AX30368
Axle 6x39mm **x2**



AX30450
Flange Pipe 3x4.5x5.5 **x4**



AX30368
Axle 6x39mm **x2**



AX30450
Flange Pipe 3x4.5x5.5 **x4**



AX30368
Axle 6x39mm **x2**



AX30450
Flange Pipe 3x4.5x5.5 **x4**



AX30368
Axle 6x39mm **x2**



AX30450
Flange Pipe 3x4.5x5.5 **x4**



AX30368
Axle 6x39mm **x2**



AX30450
Flange Pipe 3x4.5x5.5 **x4**



AX30368
Axle 6x39mm **x2**



AX30450
Flange Pipe 3x4.5x5.5 **x4**



AX30368
Axle 6x39mm **x2**



AX30450
Flange Pipe 3x4.5x5.5 **x4**



AX30368
Axle 6x39mm **x2**



AX30450
Flange Pipe 3x4.5x5.5 **x4**



AX30368
Axle 6x39mm **x2**



AX30450
Flange Pipe 3x4.5x5.5 **x4**



AX30368
Axle 6x39mm **x2**



AX30450
Flange Pipe 3x4.5x5.5 **x4**



AX30368
Axle 6x39mm **x2**



AX30450
Flange Pipe 3x4.5x5.5 **x4**



AX30368
Axle 6x39mm **x2**



AX30450
Flange Pipe 3x4.5x5.5 **x4**



AX30368
Axle 6x39mm **x2**



AX30450
Flange Pipe 3x4.5x5.5 **x4**



AX30368
Axle 6x39mm **x2**



AX30450
Flange Pipe 3x4.5x5.5 **x4**



AX30368
Axle 6x39mm **x2**



AX30450
Flange Pipe 3x4.5x5.5 **x4**



AX30368
Axle 6x39mm **x2**



AX30450
Flange Pipe 3x4.5x5.5 **x4**



AX30368
Axle 6x39mm **x2**



AX30450
Flange Pipe 3x4.5x5.5 **x4**



AX30368
Axle 6x39mm **x2**



AX30450
Flange Pipe 3x4.5x5.5 **x4**



AX30368
Axle 6x39mm **x2**



AX30450
Flange Pipe 3x4.5x5.5 **x4**



AX30368
Axle 6x39mm **x2**



AX30450
Flange Pipe 3x4.5x5.5 **x4**



AX30368
Axle 6x39mm **x2**



AX30450
Flange Pipe 3x4.5x5.5 **x4**



AX30368
Axle 6x39mm **x2**



AX30450
Flange Pipe 3x4.5x5.5 **x4**



AX30368
Axle 6x39mm **x2**



AX30450
Flange Pipe 3x4.5x5.5 **x4**



AX30368
Axle 6x39mm **x2**



AX30450
Flange Pipe 3x4.5x5.5 **x4**



AX30368
Axle 6x39mm **x2**



AX30450
Flange Pipe 3x4.5x5.5 **x4**



AX30368
Axle 6x39mm **x2**



AX30450
Flange Pipe 3x4.5x5.5 **x4**



AX30368
Axle 6x39mm **x2**



AX30450
Flange Pipe 3x4.5x5.5 **x4**



AX30368
Axle 6x39mm **x2**



AX30450
Flange Pipe 3x4.5x5.5 **x4**



AX30368
Axle 6x39mm **x2**



AX30450
Flange Pipe 3x4.5x5.5 **x4**



AX30368
Axle 6x39mm **x2**



AX30450
Flange Pipe 3x4.5x5.5 **x4**



AX30368
Axle 6x39mm **x2**



AX30450
Flange Pipe 3x4.5x5.5 **x4**



AX30368
Axle 6x39mm **x2**



AX30450
Flange Pipe 3x4.5x5.5 **x4**



AX30368
Axle 6x39mm **x2**



AX30450
Flange Pipe 3x4.5x5.5 **x4**



AX30368
Axle 6x39mm **x2**



AX30450
Flange Pipe 3x4.5x5.5 **x4**



AX30368
Axle 6x39mm **x2**



AX30450
Flange Pipe 3x4.5x5.5 **x4**



AX30368
Axle 6x39mm **x2**



AX30450
Flange Pipe 3x4.5x5.5 **x4**



AX30368
Axle 6x39mm **x2**



AX30450
Flange Pipe 3x4.5x5.5 **x4**



AX30368
Axle 6x39mm **x2**



AX30450
Flange Pipe 3x4.5x5.5 **x4**



AX30368
Axle 6x39mm **x2**



AX30450
Flange Pipe 3x4.5x5.5 **x4**



AX30368
Axle 6x39mm **x2**



AX30450
Flange Pipe 3x4.5x5.5 **x4**



AX30368
Axle 6x39mm **x2**



AX30450
Flange Pipe 3x4.5x5.5 **x4**

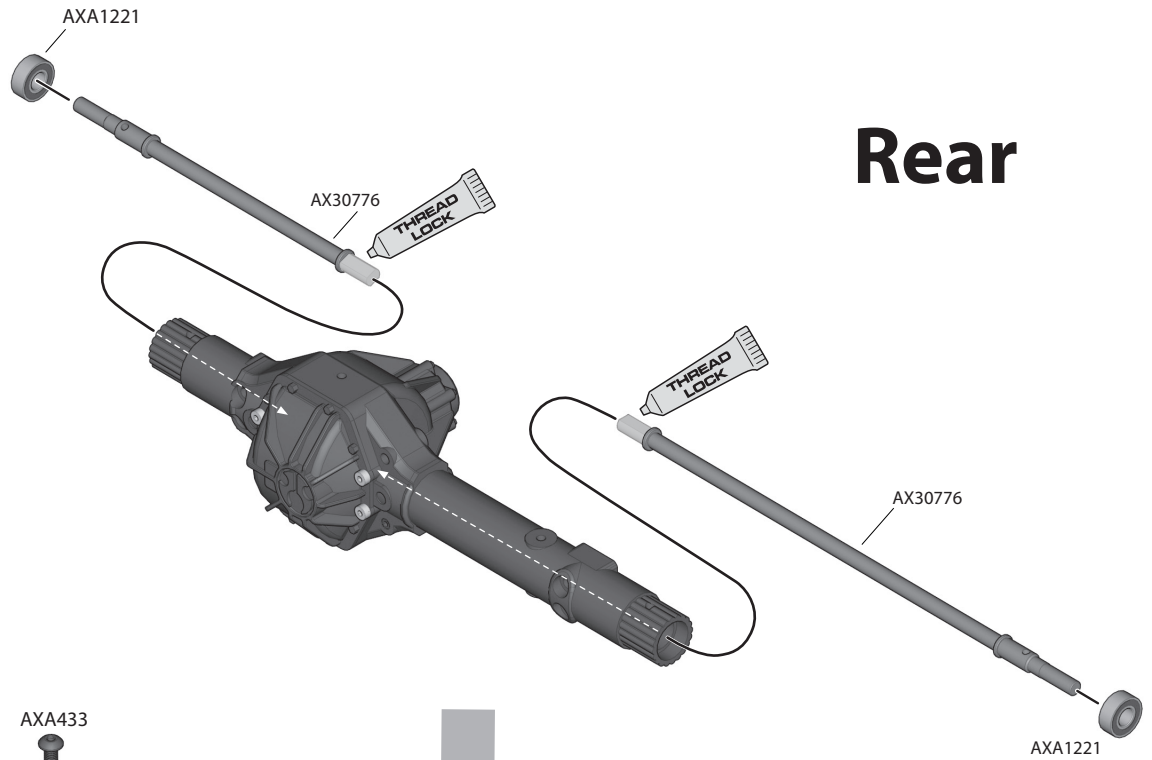


AXA433
M3x6mm **x4**

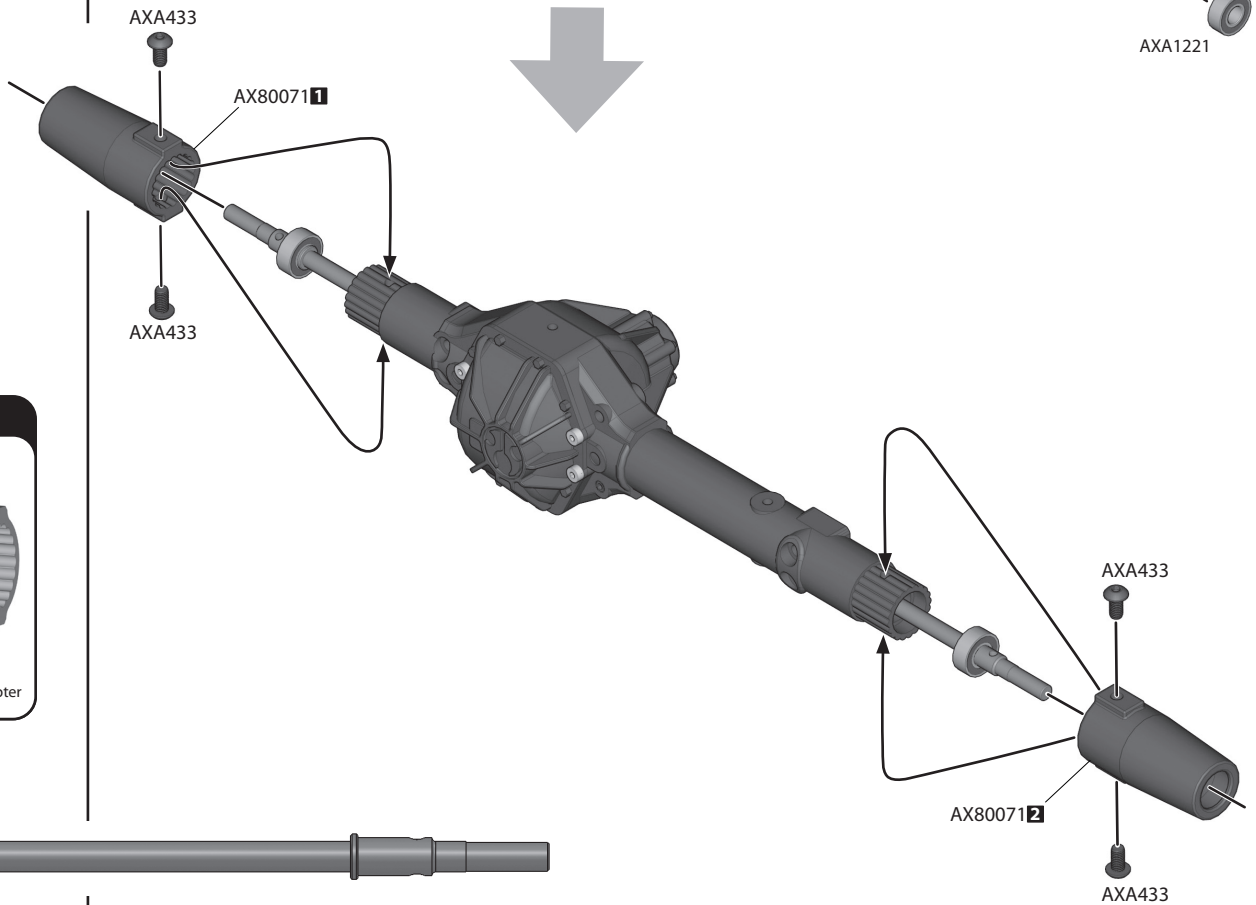


AXA1221
Bearing 5x11x4mm **x2**

4



Rear



Option Parts



AX30789
Rear Straight Axle Aluminum Adapter



AX30776
Straight Axle Shaft 6x104.2mm **x1**



AX30776
Straight Axle Shaft 6x160.2mm **x1**



AXA1052
M3 Thin Nylon Locking Hex Nut **x4**



AXA464
M3x8mm **x1**



AXA465
M3x10mm **x1**



AXA087
M3x16mm **x4**

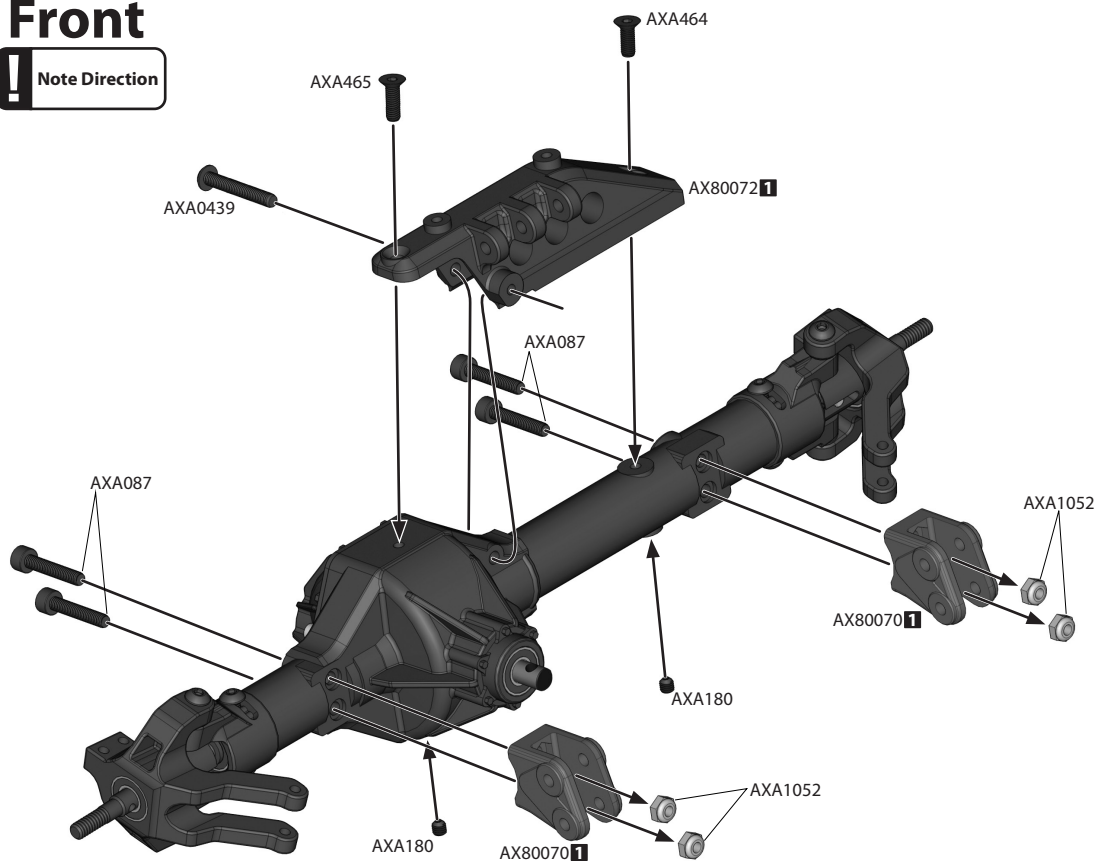


AXA0439
M3x20mm **x1**

AXA180
M3x3mm **x2**

5 Front

Note Direction



AXA1052
M3 Thin Nylon Locking Hex Nut **x4**



AXA464
M3x8mm **x1**



AXA465
M3x10mm **x1**



AXA087
M3x16mm **x4**

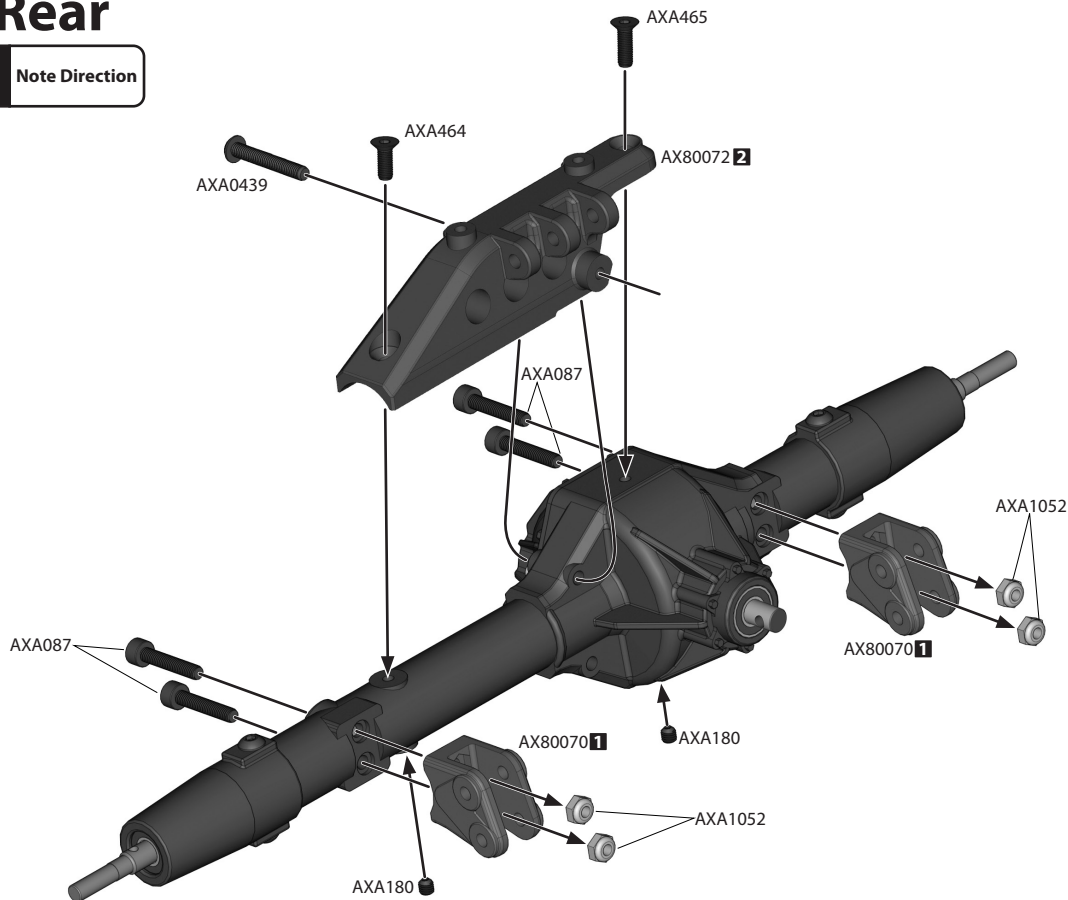


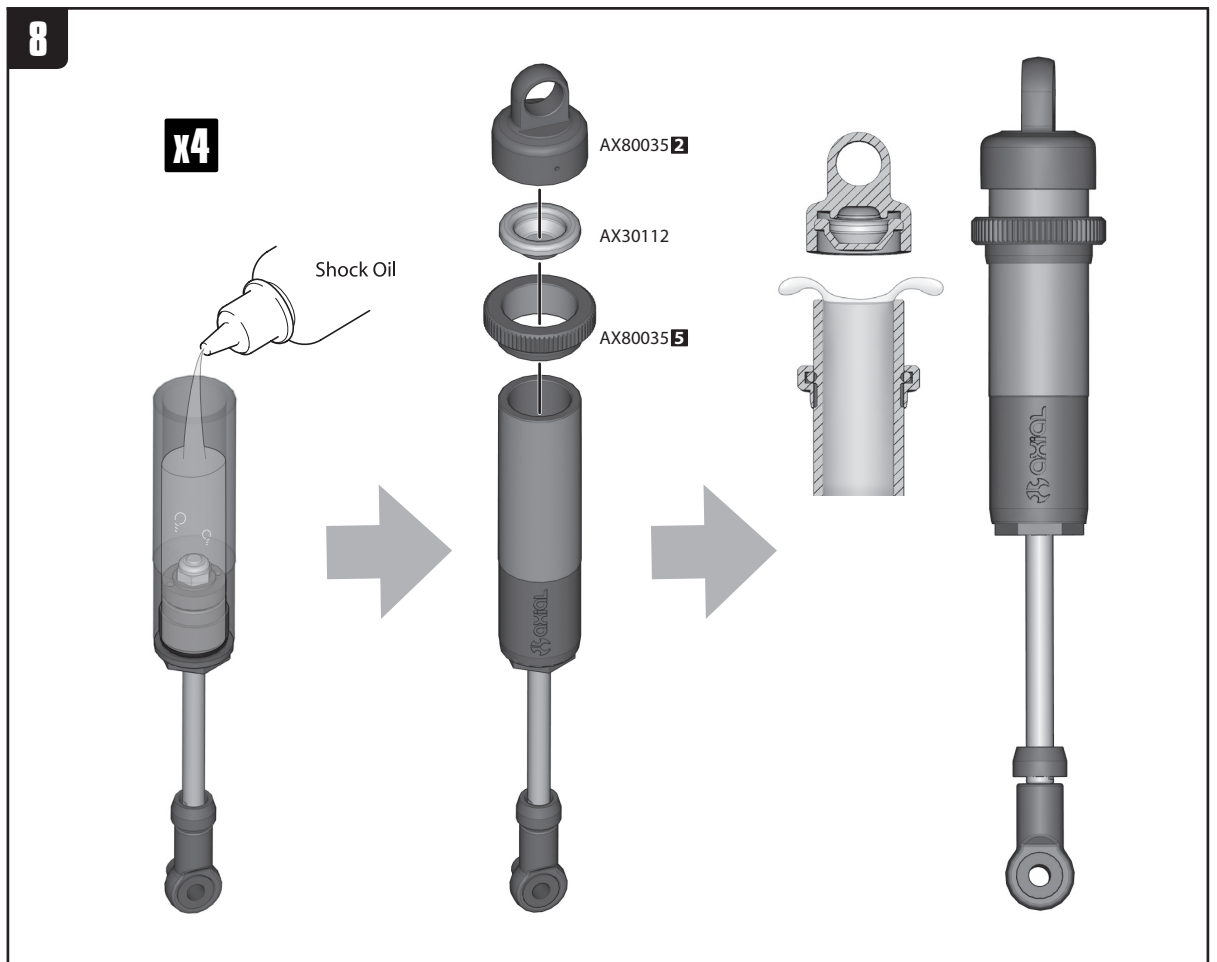
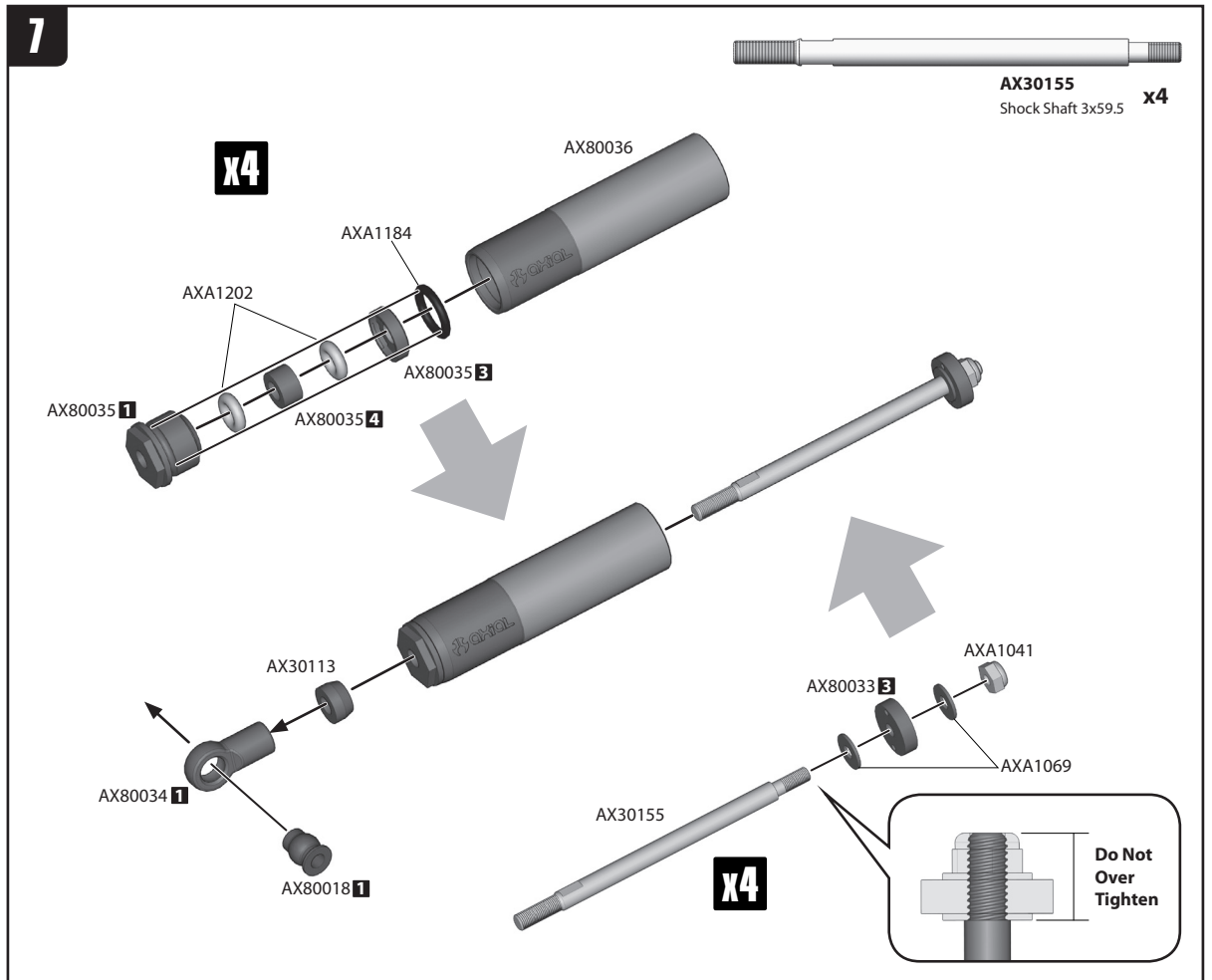
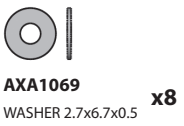
AXA0439
M3x20mm **x1**

AXA180
M3x3mm **x2**

6 Rear

Note Direction





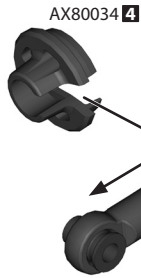


AXA1356
Silicone Shock Bushing 7.5x8mm **x4**

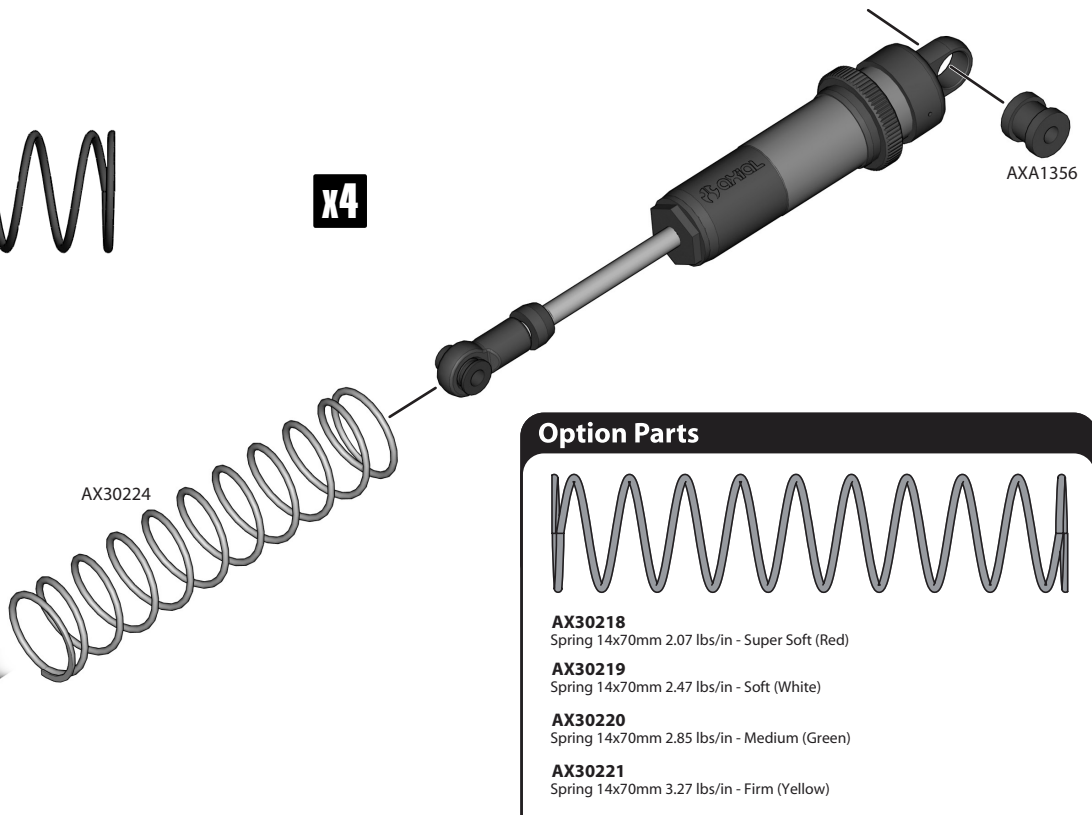


AX30224
Axial Spring 14x70mm 1.43lbs/in Purple (2) **x4**

9



AX80034 **4**



x4

AXA1356

Option Parts



AX30218
Spring 14x70mm 2.07 lbs/in - Super Soft (Red)

AX30219
Spring 14x70mm 2.47 lbs/in - Soft (White)

AX30220
Spring 14x70mm 2.85 lbs/in - Medium (Green)

AX30221
Spring 14x70mm 3.27 lbs/in - Firm (Yellow)

AX30222
Spring 14x70mm 3.55 lbs/in - Super Firm (Blue)



AX30463
Universal Joint Axle Pin holder **x4**



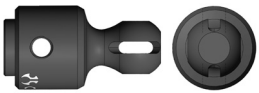
AX30166
Pin 1.5x11mm **x4**



AXA144
M3x8mm **x4**

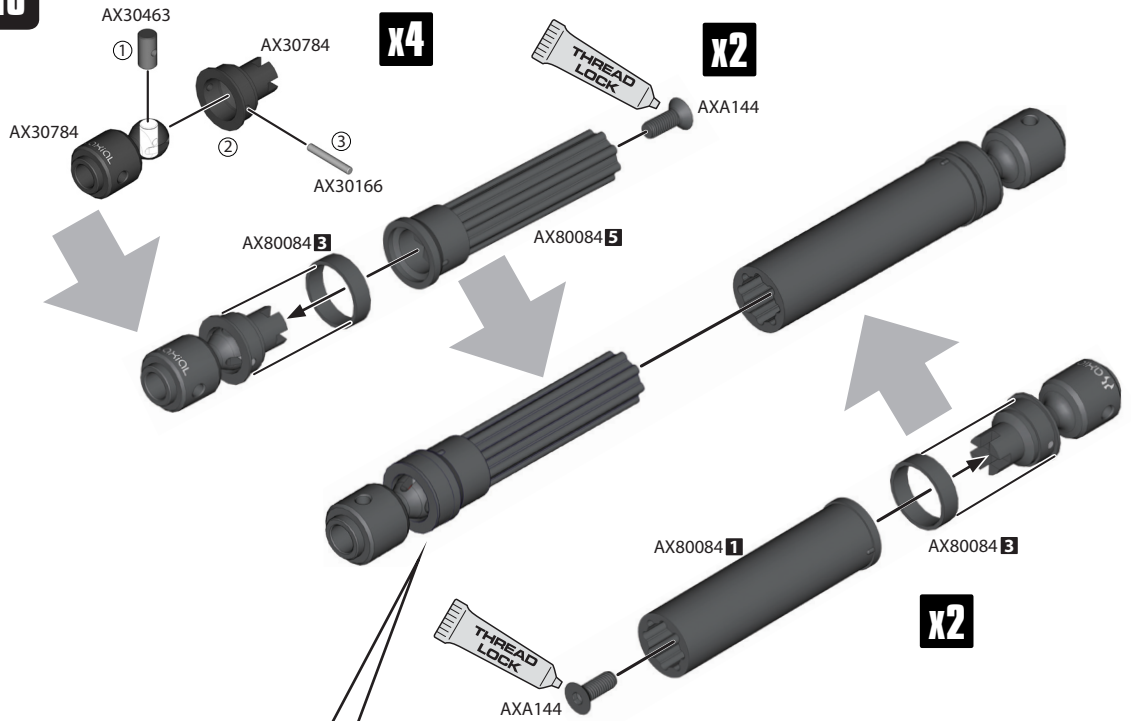


AX30784
Drive Shaft Coupler **x4**



AX30784
Drive Shaft Output **x4**

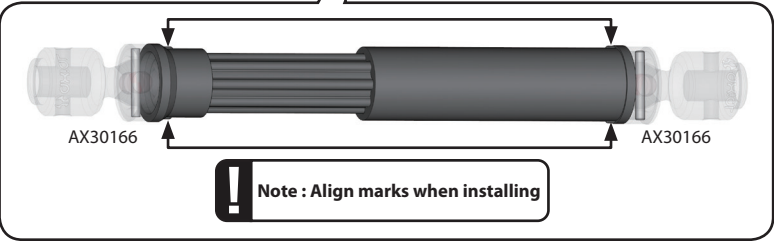
10



x4

x2

x2



Note : Align marks when installing

Option Parts



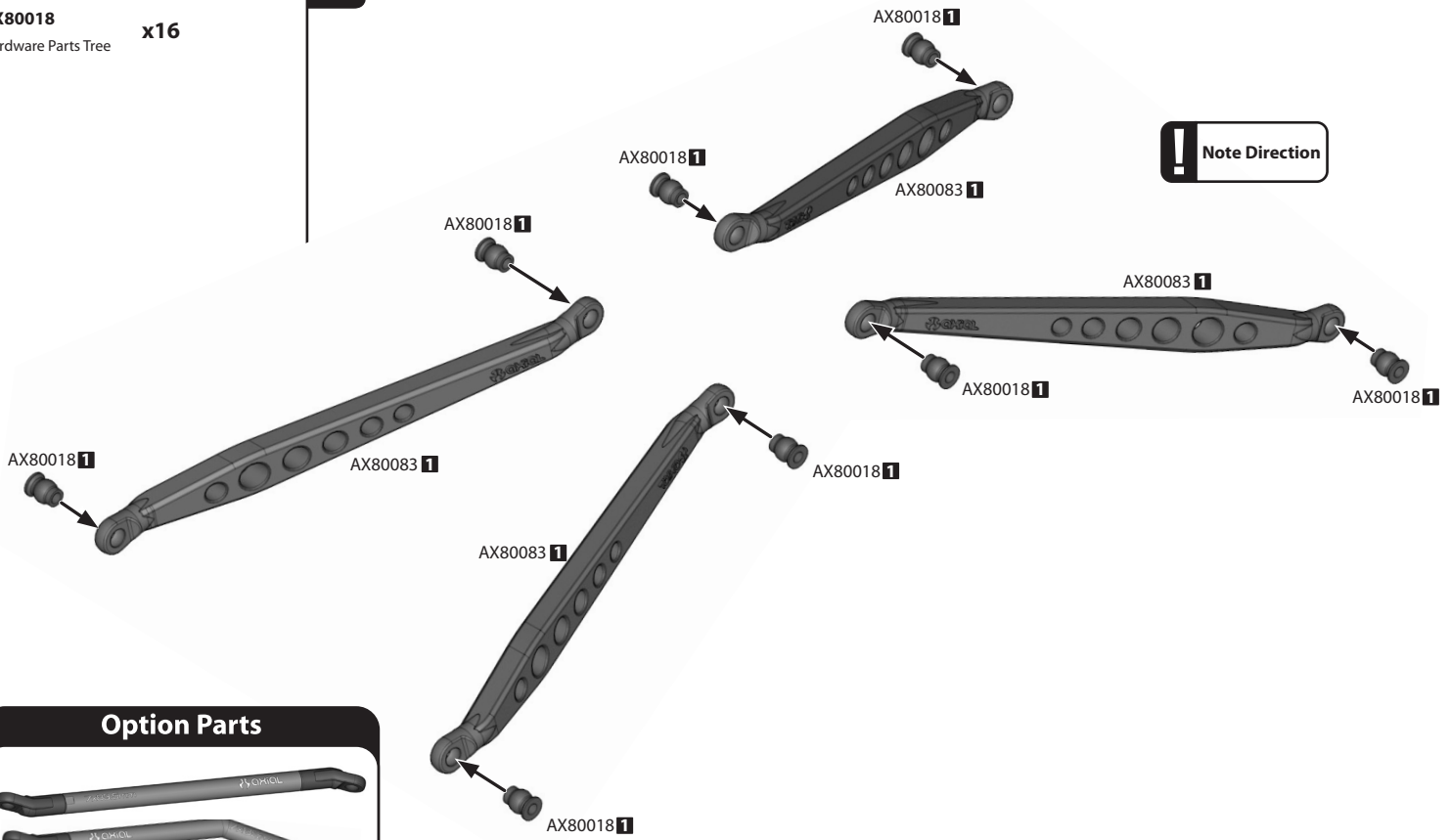
AX30786
WB8 Driveshaft Retainer Ring



AX80018
Hardware Parts Tree

x16

11

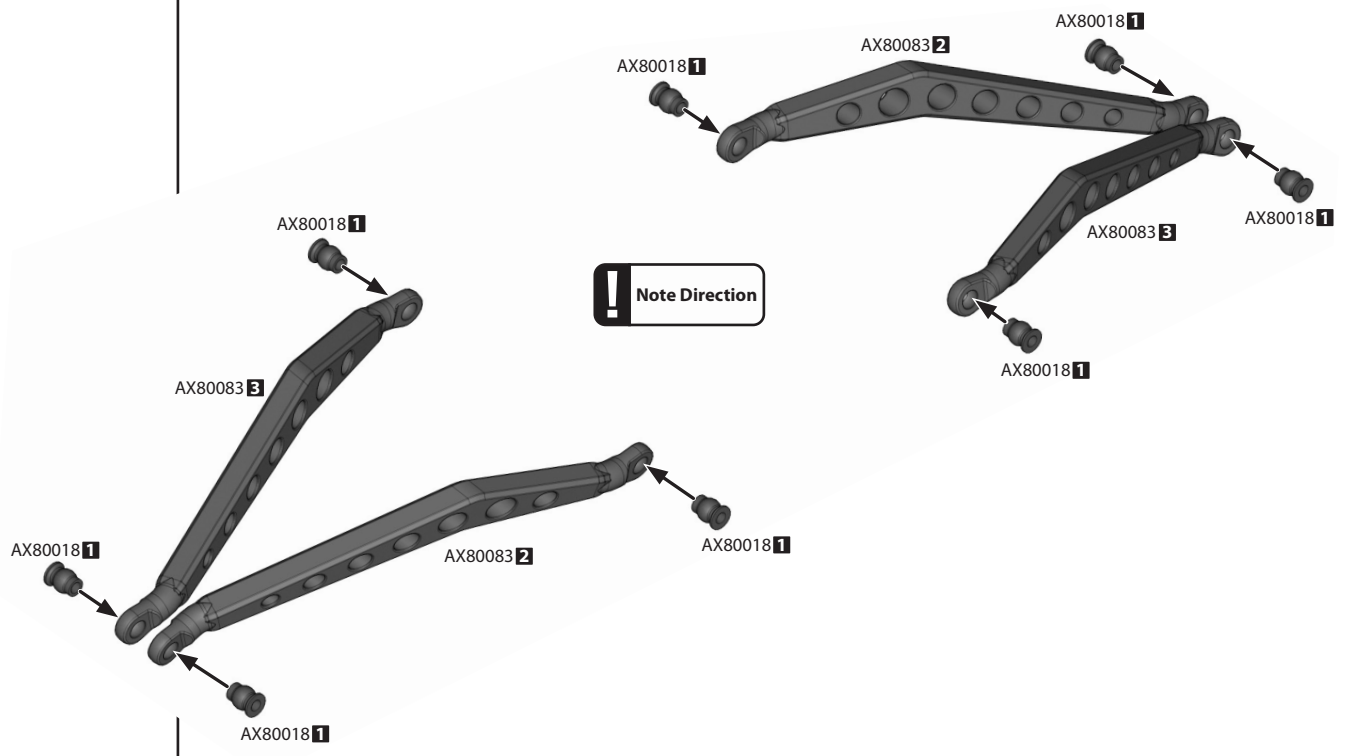


Note Direction

Option Parts

AX30796
Wraith Tube Links Set

12



Note Direction



AXA0175
Screw Shaft M3x2.5x11mm **x1**

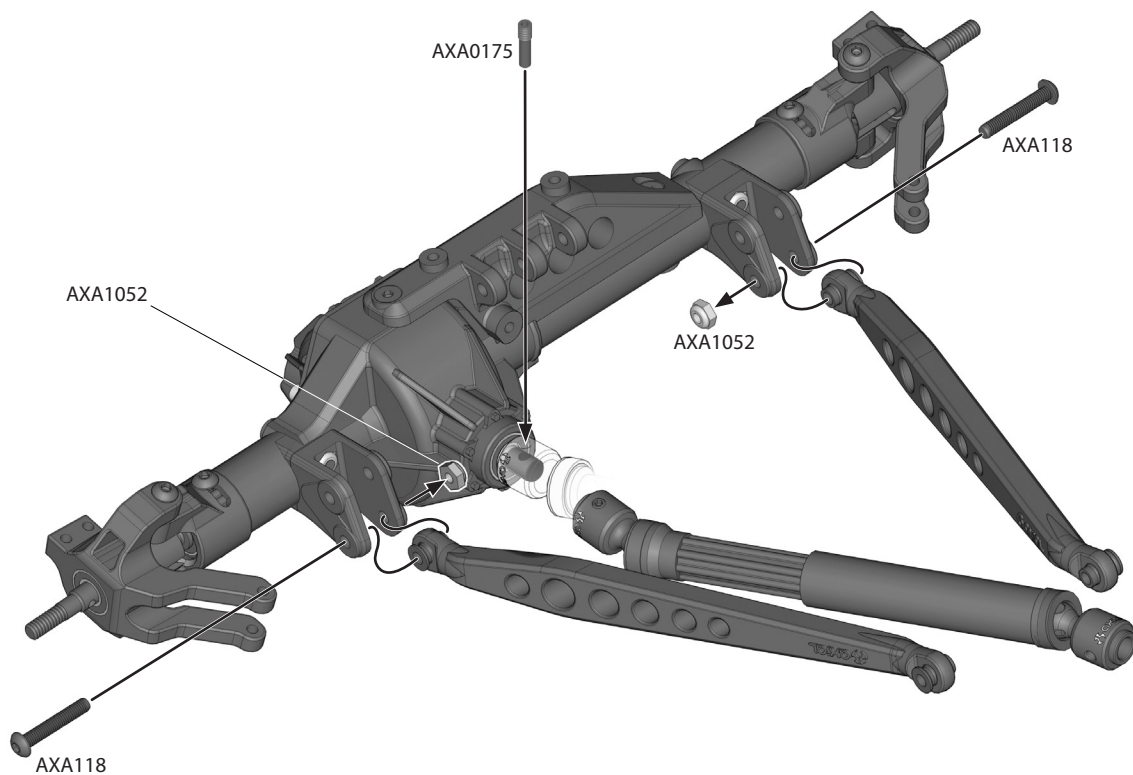


AXA1052
M3 Thin Nylon Locking Hex Nut (BLACK) **x2**



AXA118
M3x18mm **x2**

13 Front



AXA1052
M3 Thin Nylon Locking Hex Nut (BLACK) **x2**



AXA1053
M3 Nylon Locking Hex Nut (BLACK) **x1**

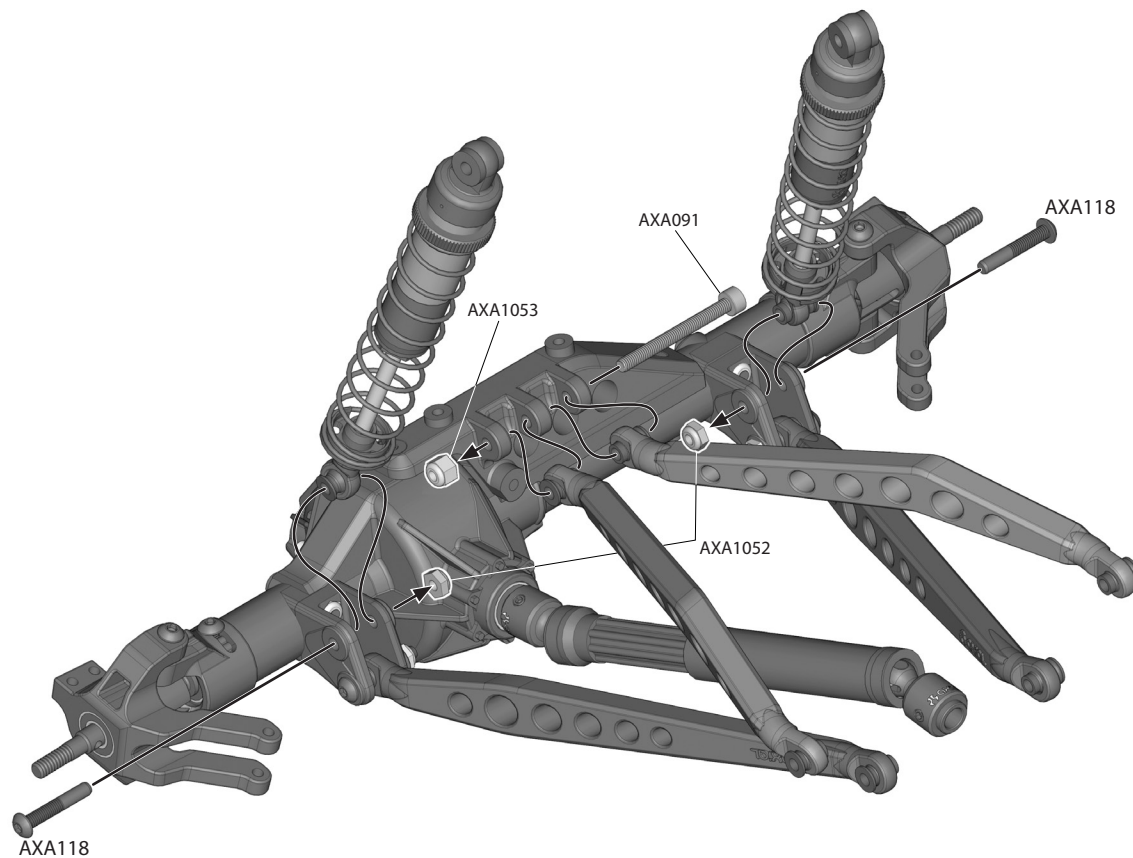


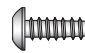

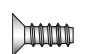

AXA118
M3x18mm **x2**



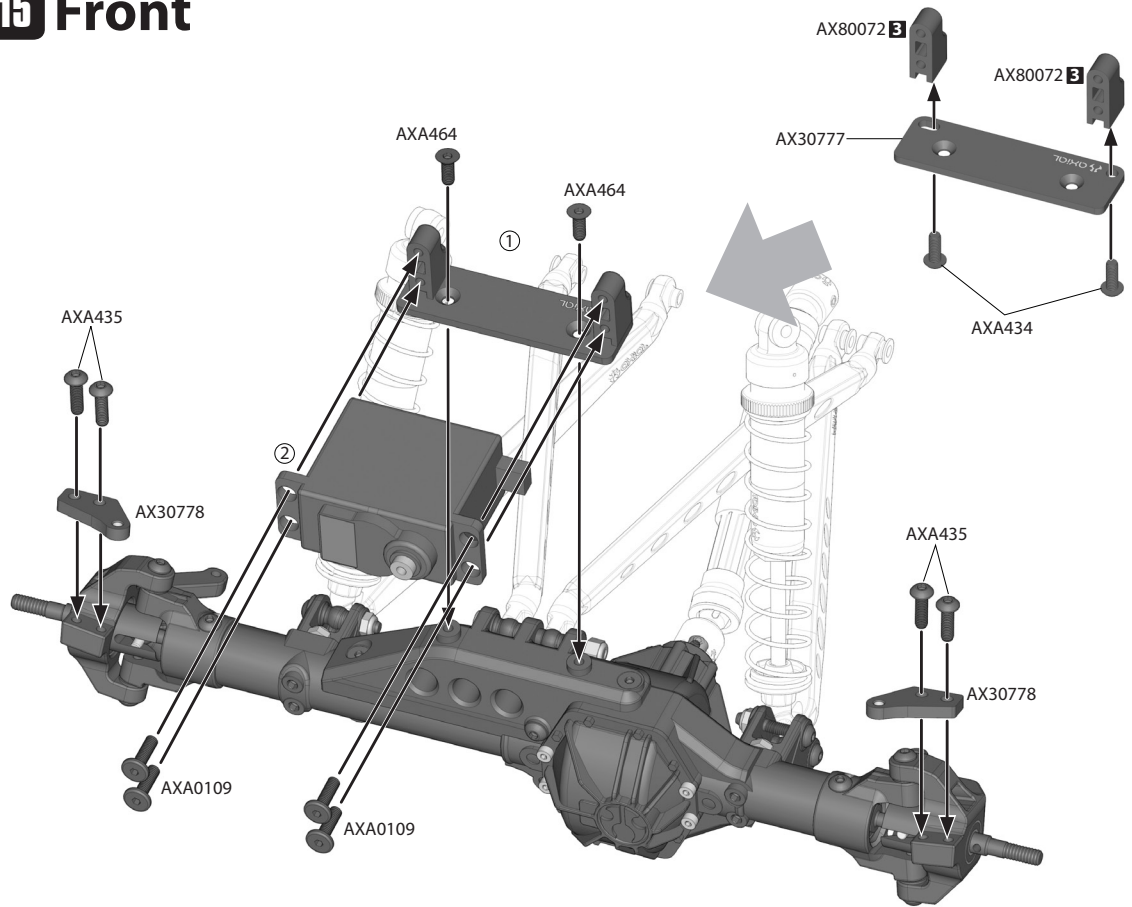
AXA091
M3x30mm **x1**

14 Front



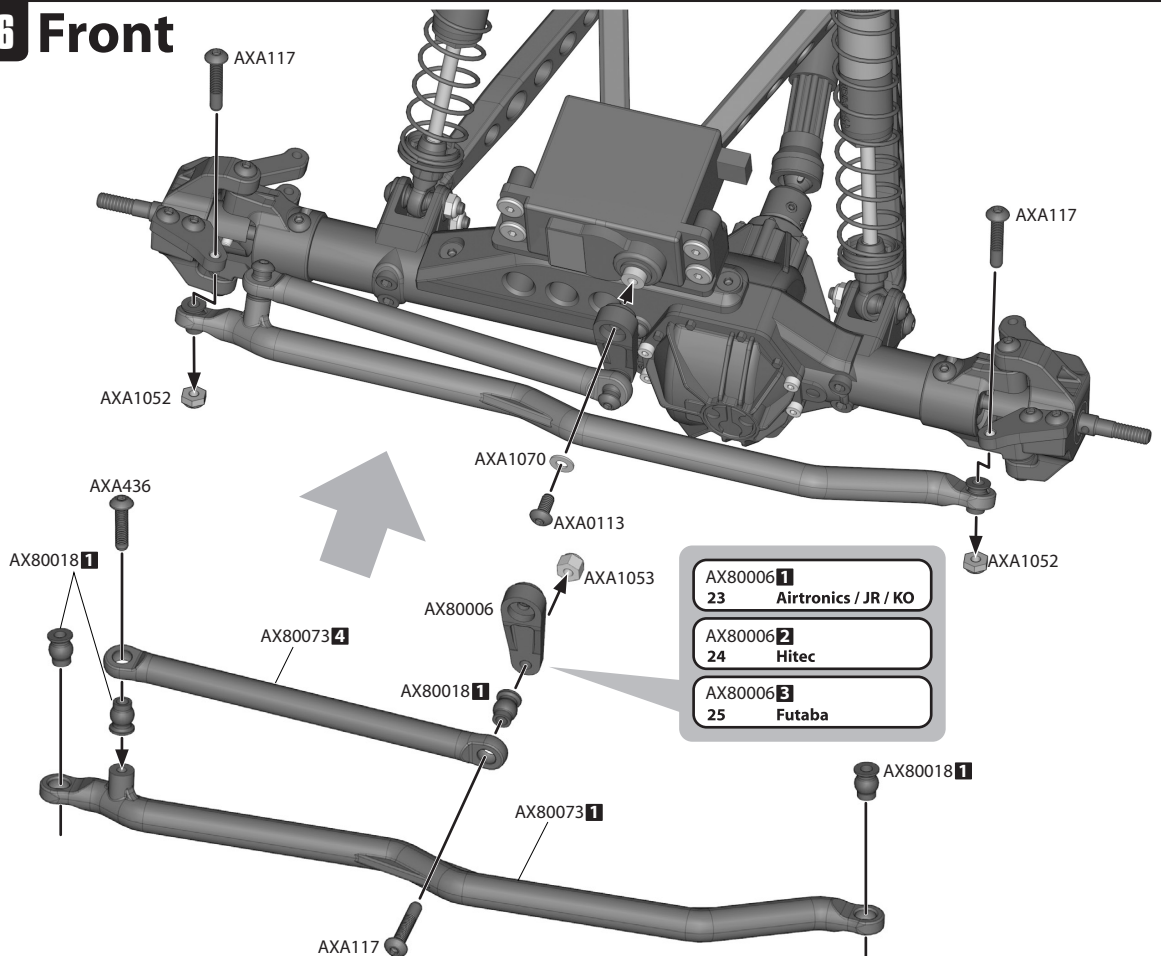
-  **AXA434**
M3x8mm **x2**
-  **AXA435**
M3x10mm **x4**
-  **AXA464**
M3x8mm **x2**
-  **AXA0109**
M3x10mm Servo Flange Screw **x4**

15 Front



-  **AXA1070**
Washer 3x6x0.5 mm **x1**
-  **AXA1052**
M3 Thin Nylon Locking Hex Nut (BLACK) **x2**
-  **AXA1053**
M3 Nylon Locking Hex Nut (BLACK) **x1**
-  **AX80018**
Hardware Parts Tree **x4**
-  **AXA0113**
M3x6mm **x1**
-  **AXA436**
M3x12mm **x1**
-  **AXA117**
M3x15mm **x3**

16 Front





AXA0175
Screw Shaft M3x2.5x11mm **x1**

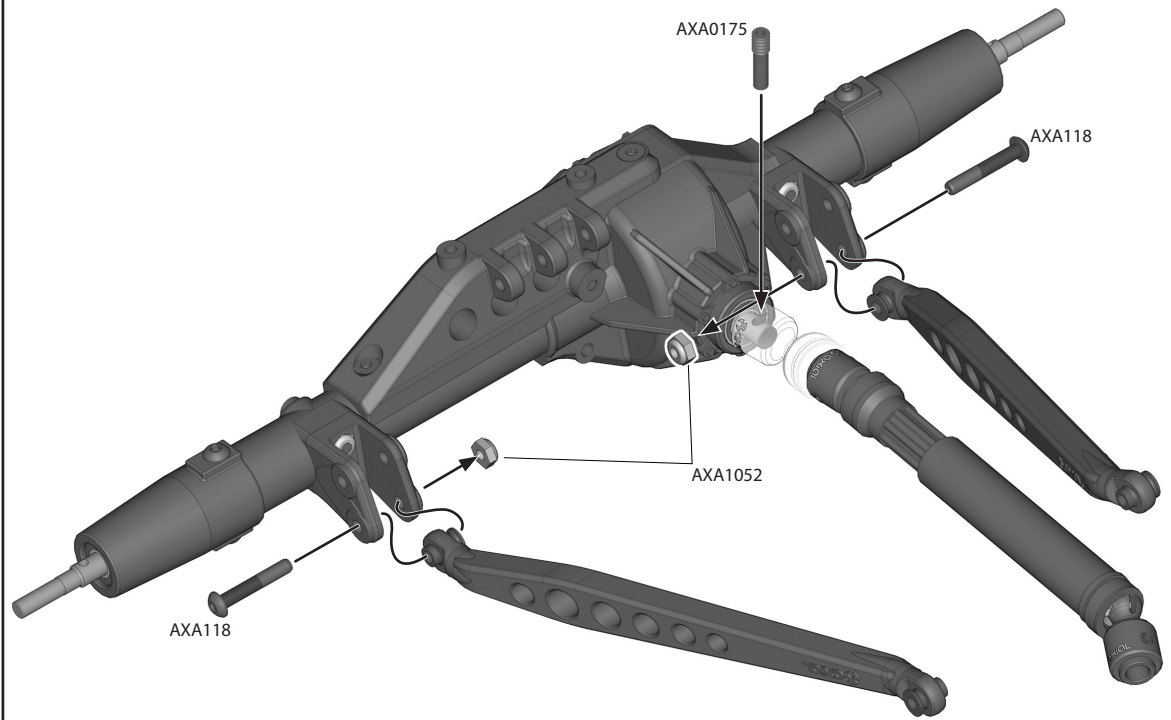


AXA1052
M3 Thin Nylon Locking Hex Nut (BLACK) **x2**



AXA118
M3x18mm **x2**

17 Rear



AXA1052
M3 Thin Nylon Locking Hex Nut (BLACK) **x2**



AXA1053
M3 Nylon Locking Hex Nut (BLACK) **x1**

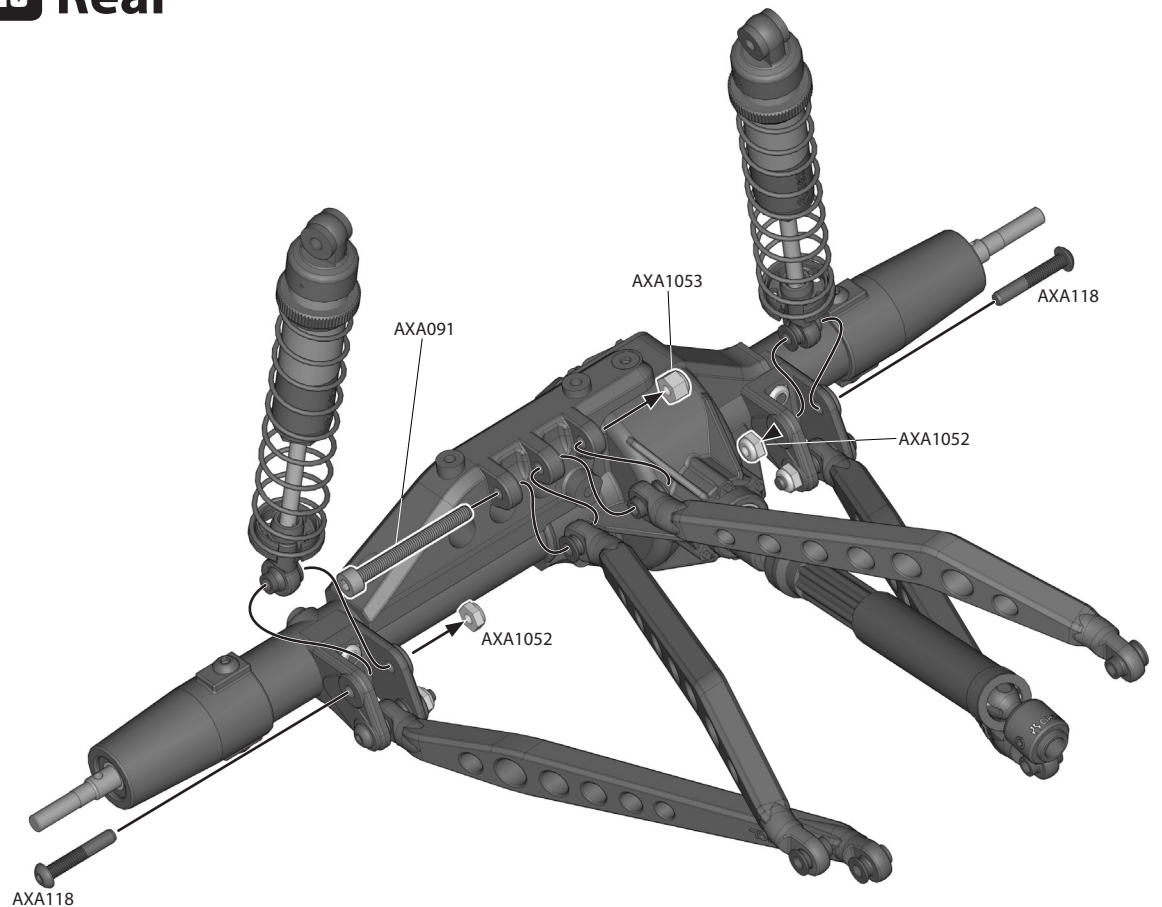


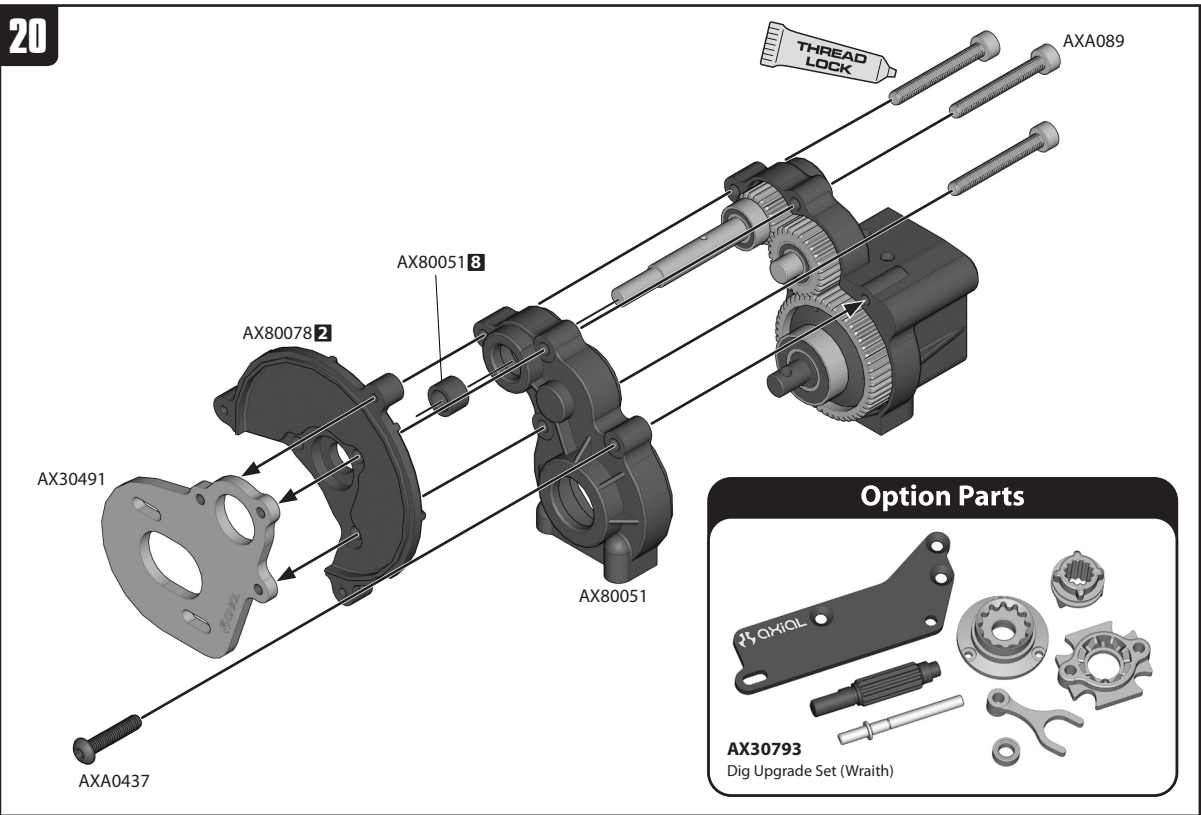
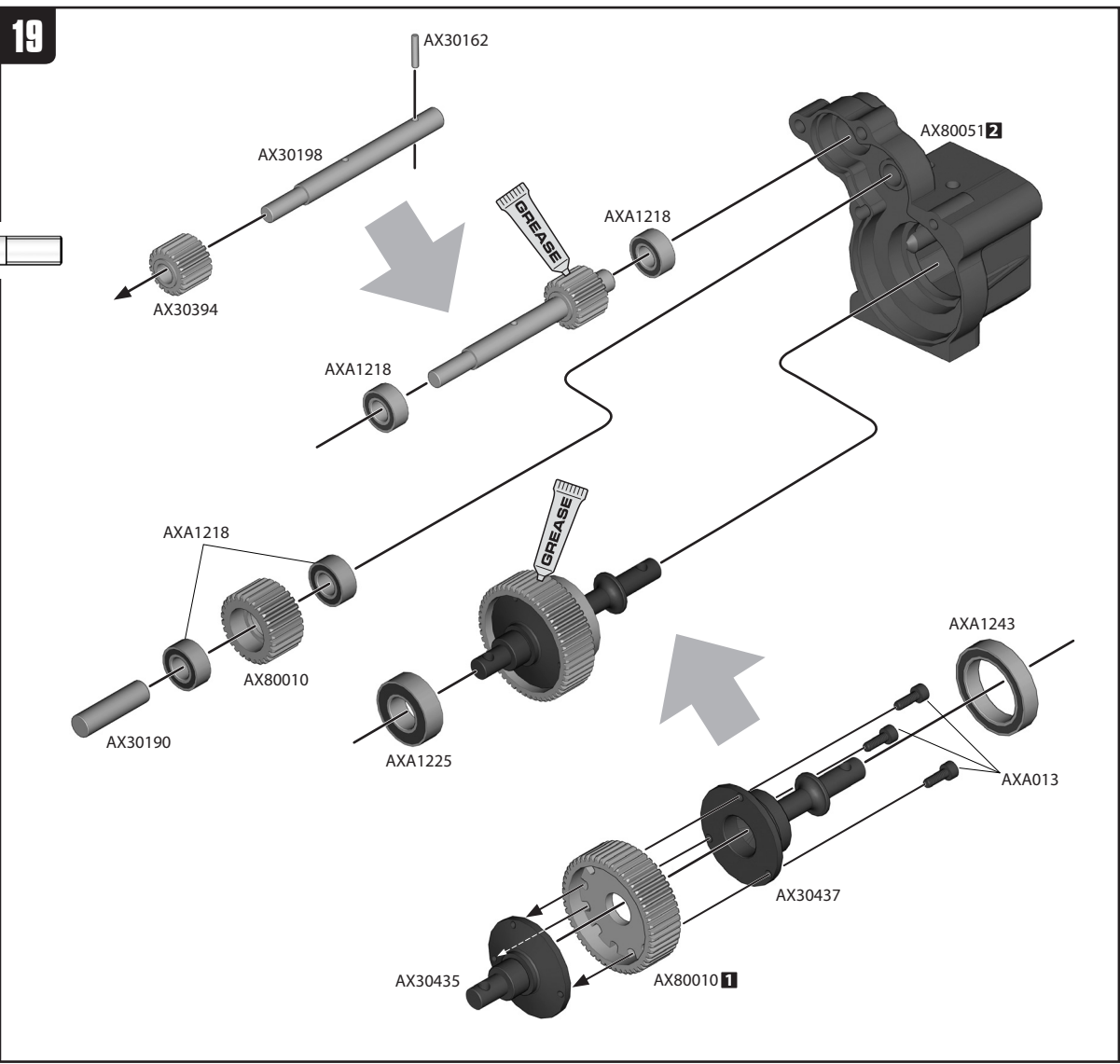
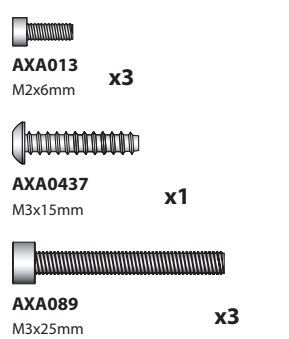
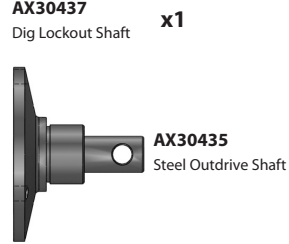
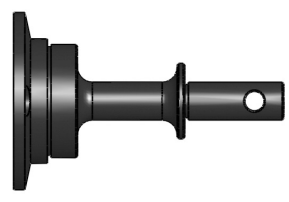
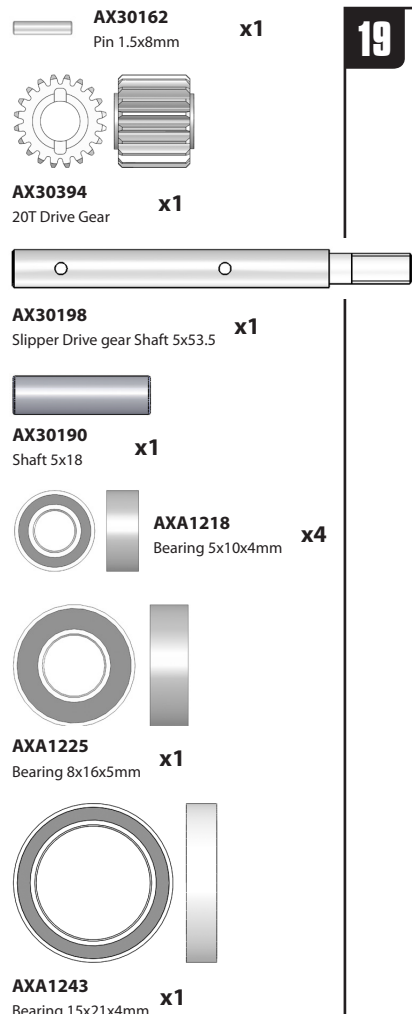
AXA118
M3x18mm **x2**










AXA091
M3x30mm **x1**

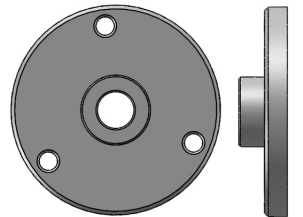
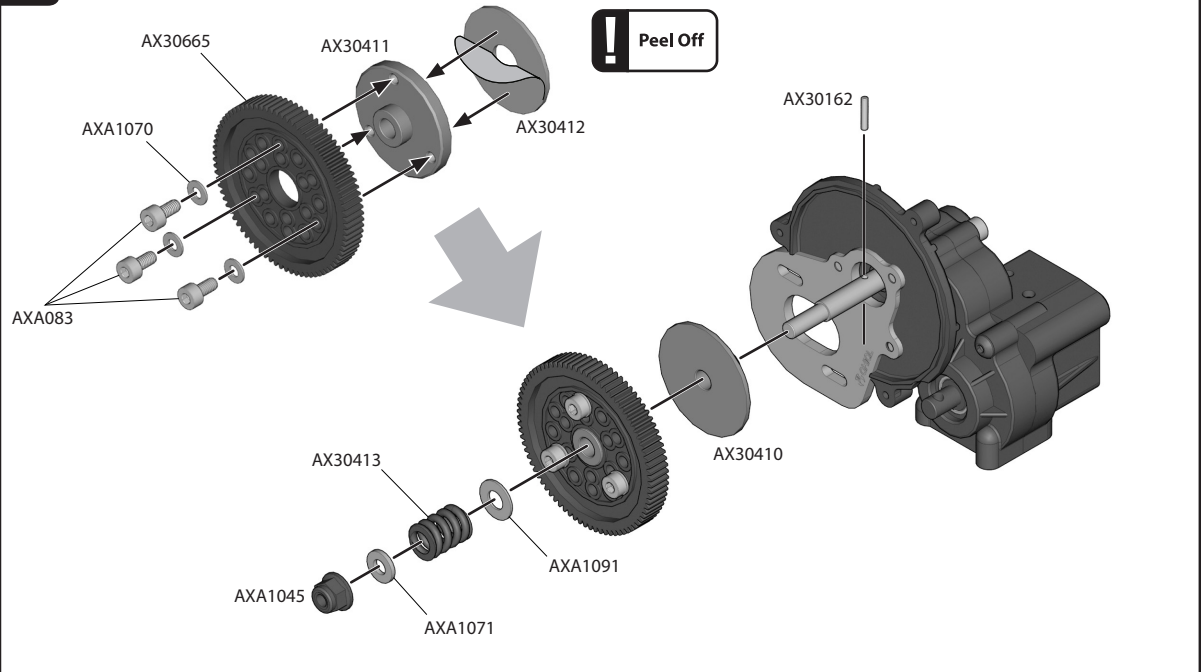
18 Rear



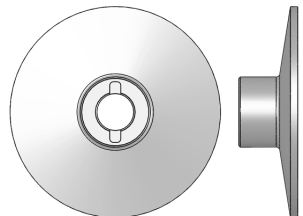


-  **AX30162** Pin 1.5x8mm **x1**
-  **AXA1070** Washer 3x6x0.5mm **x5**
-  **AXA1071** Washer 4x8x0.5mm **x1**
-  **AXA1091** Washer 5x10x0.5mm **x1**
-  **AXA083** M3x6mm **x5**
-  **AXA1045** M4 Nylon Lock Nut (Black) **x1**
-  **AX30413** Slipper spring **x1**

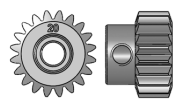
21



AX30411
Outer Slipper Plate **x1**



AX30410
Inner Slipper Plate **x1**



AX30578
Pinion 48DP 20T **x1**



AXA1221
Bearing 5x11x4mm **x1**

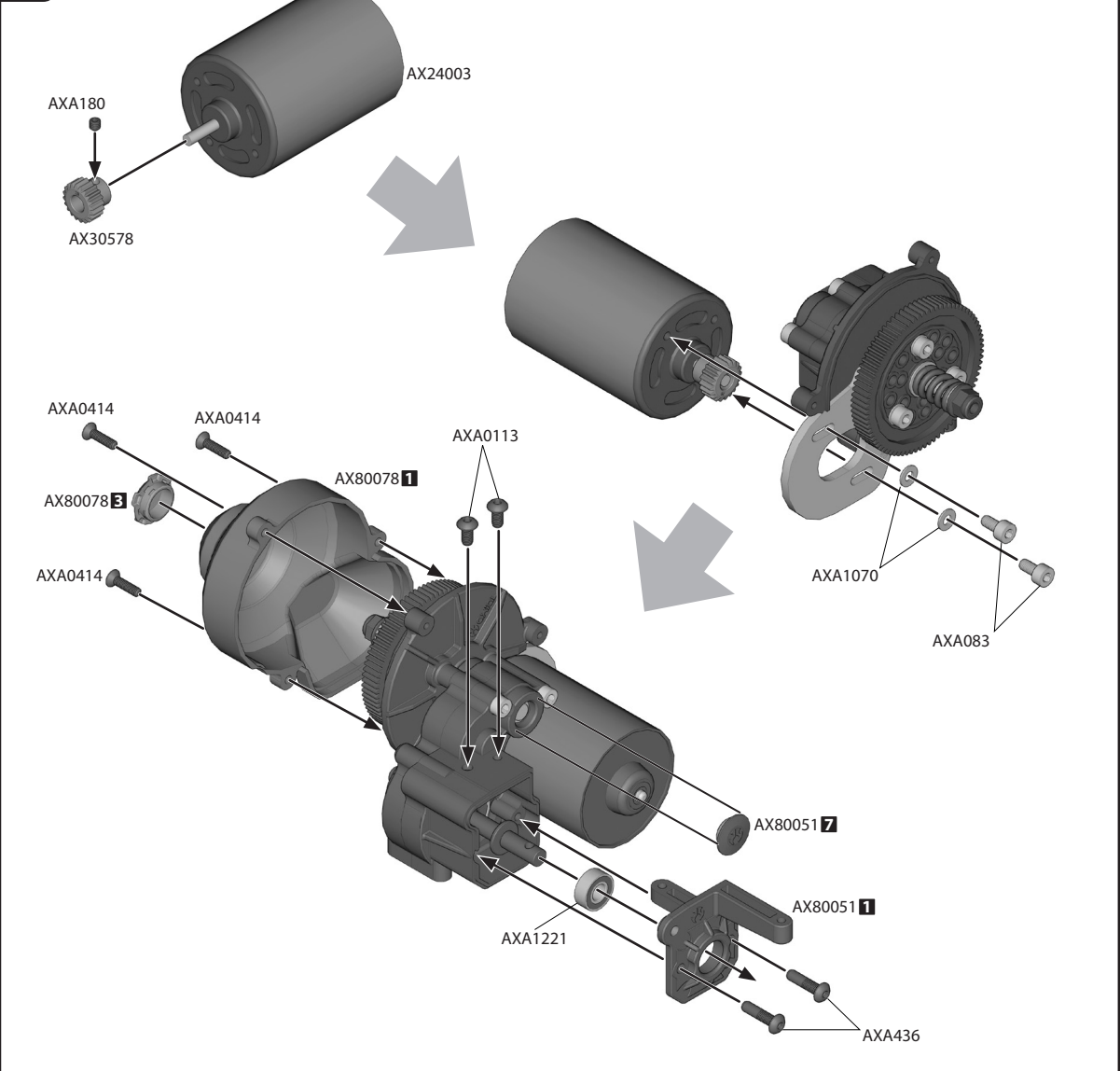
AXA180
M3x3mm **x1**

AXA0113
M3x6mm **x2**

AXA436
M3x12mm **x2**

AXA0414
M2.6x10mm **x3**

22



23 Front



AXA0175
Screw Shaft M3x2.5x11mm **x1**



AXA465
M3x10mm **x2**



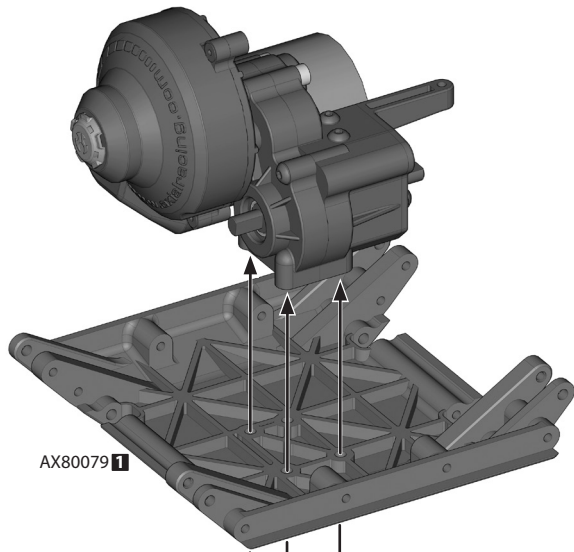
AXA466
M3x12mm **x2**



AXA0437
M3x15mm **x2**



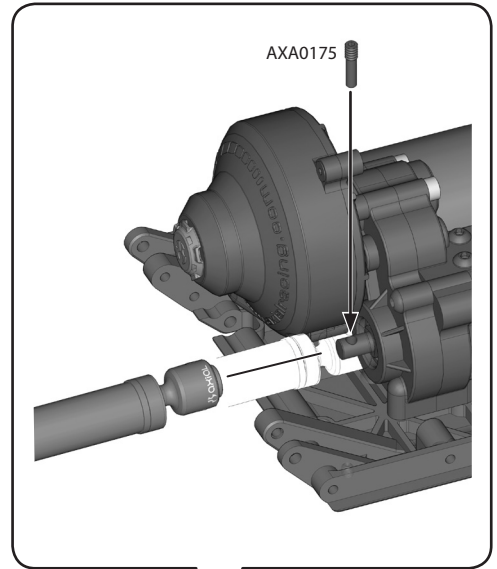
AXA187
M3x20mm Set Screw (Black Oxide) **x2**



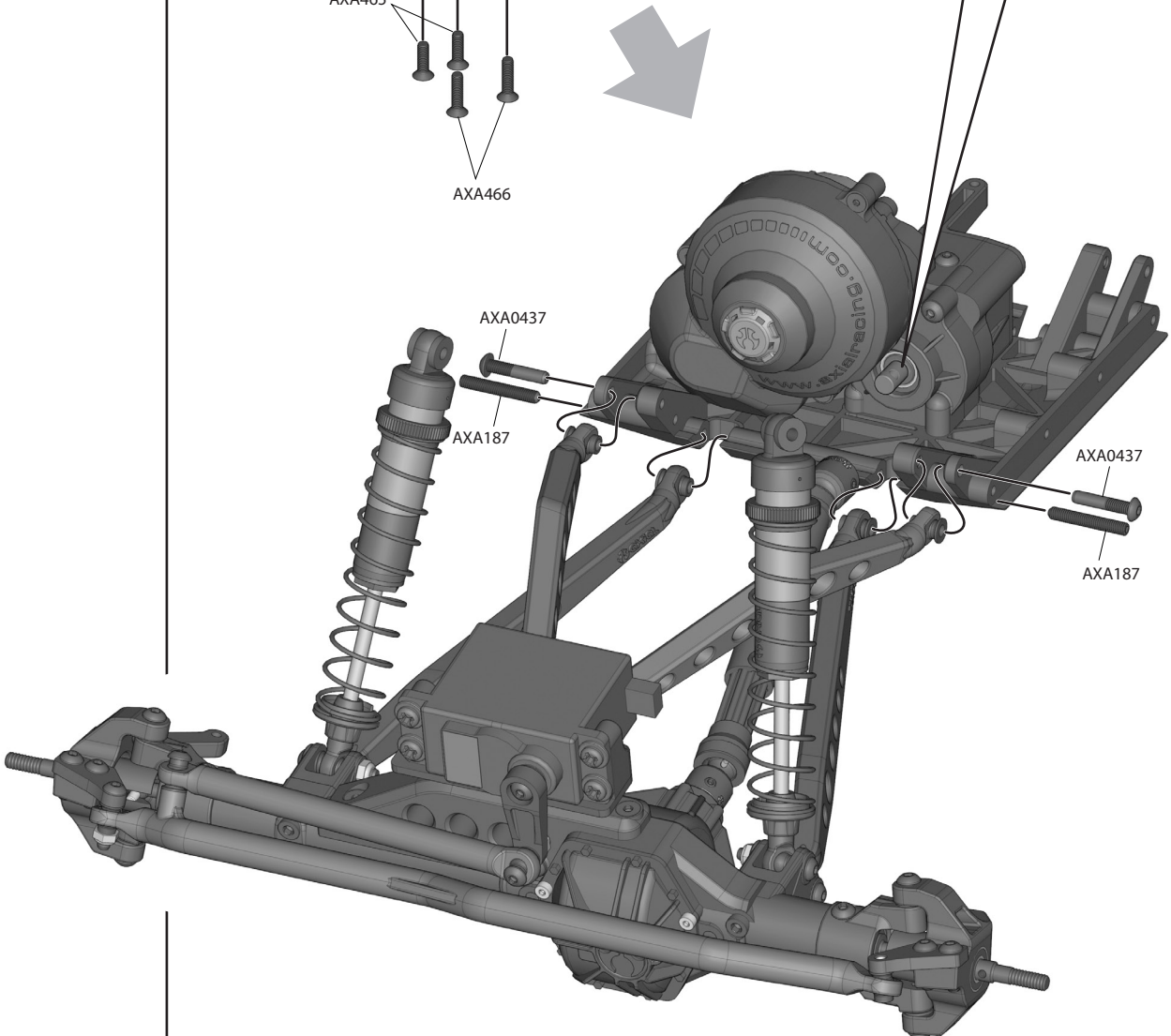
AX80079

AXA465

AXA466



AXA0175



AXA0437

AXA187

AXA0437

AXA187

24 Rear



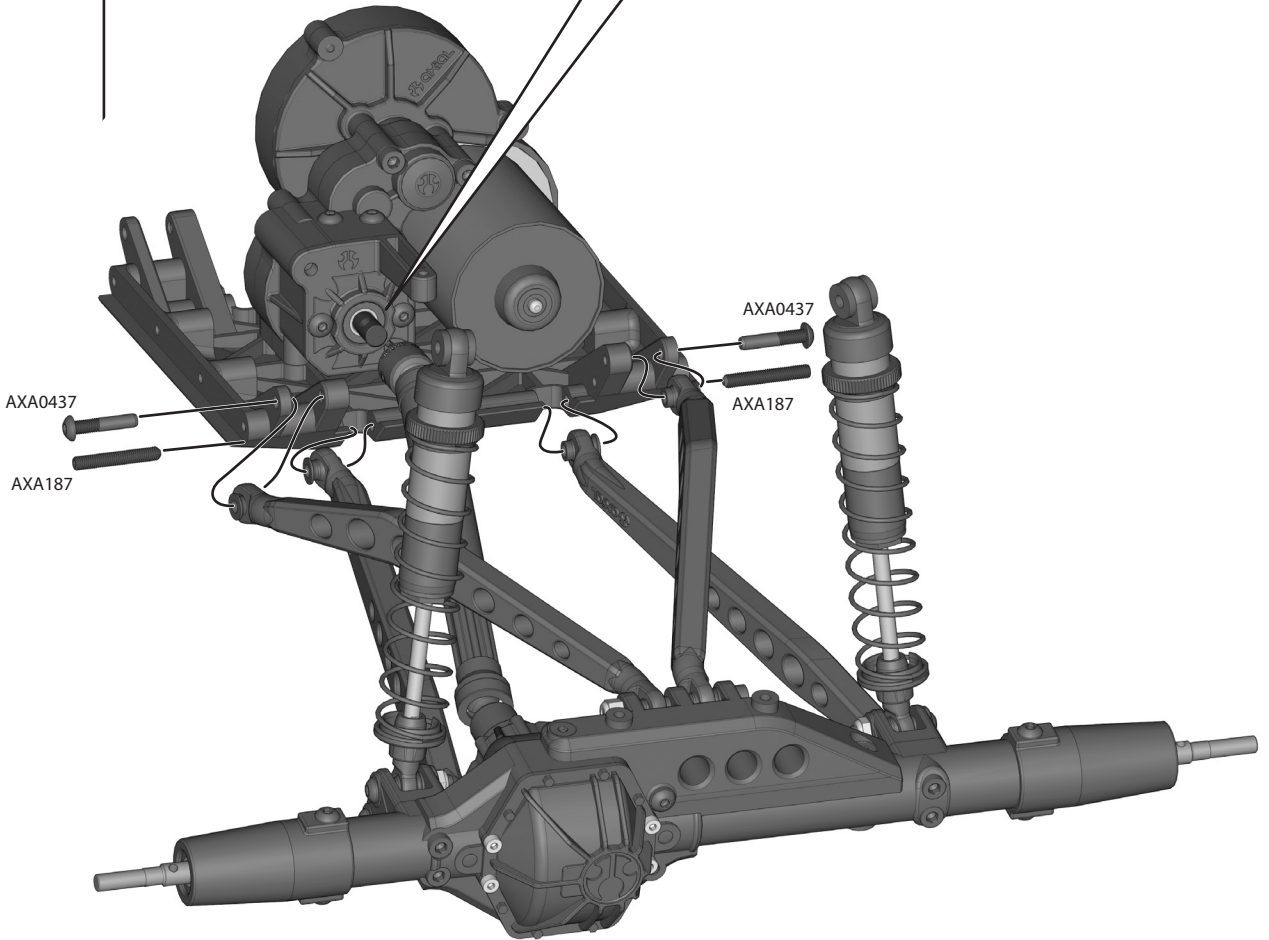
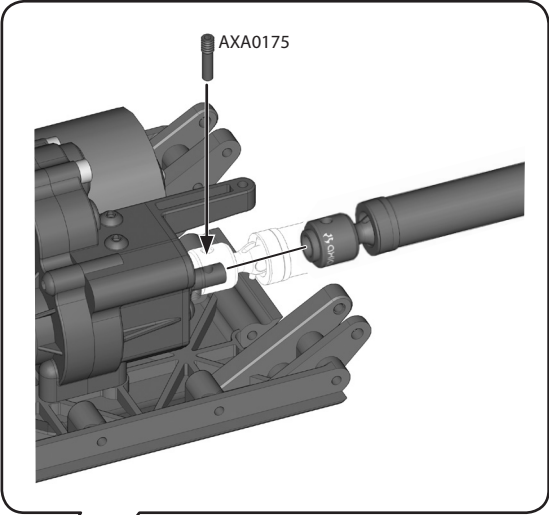
AXA0175
Screw Shaft M3x2.5x11mm **x1**



AXA0437
M3x15mm **x2**



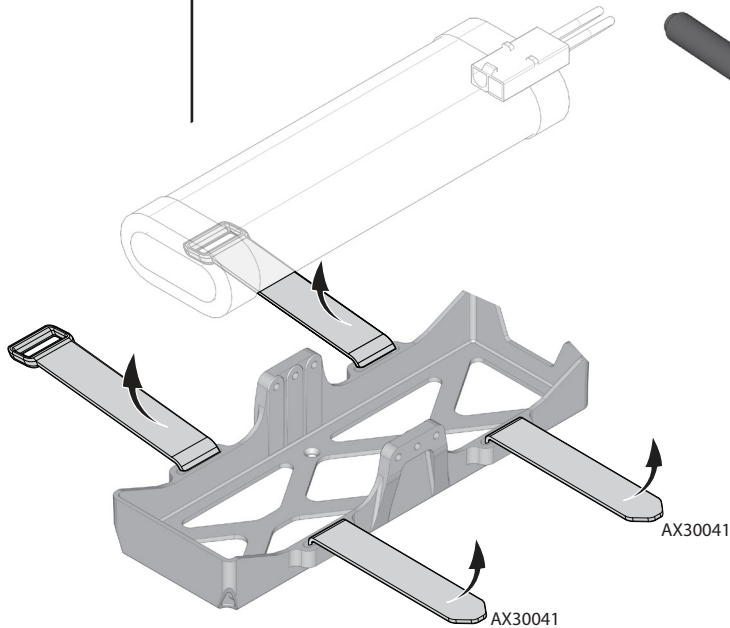
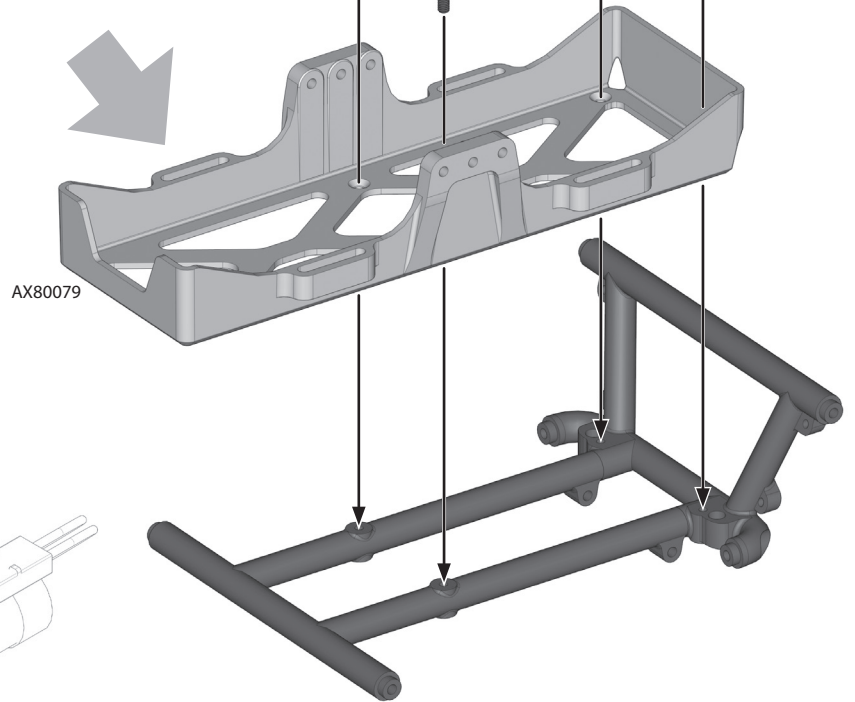
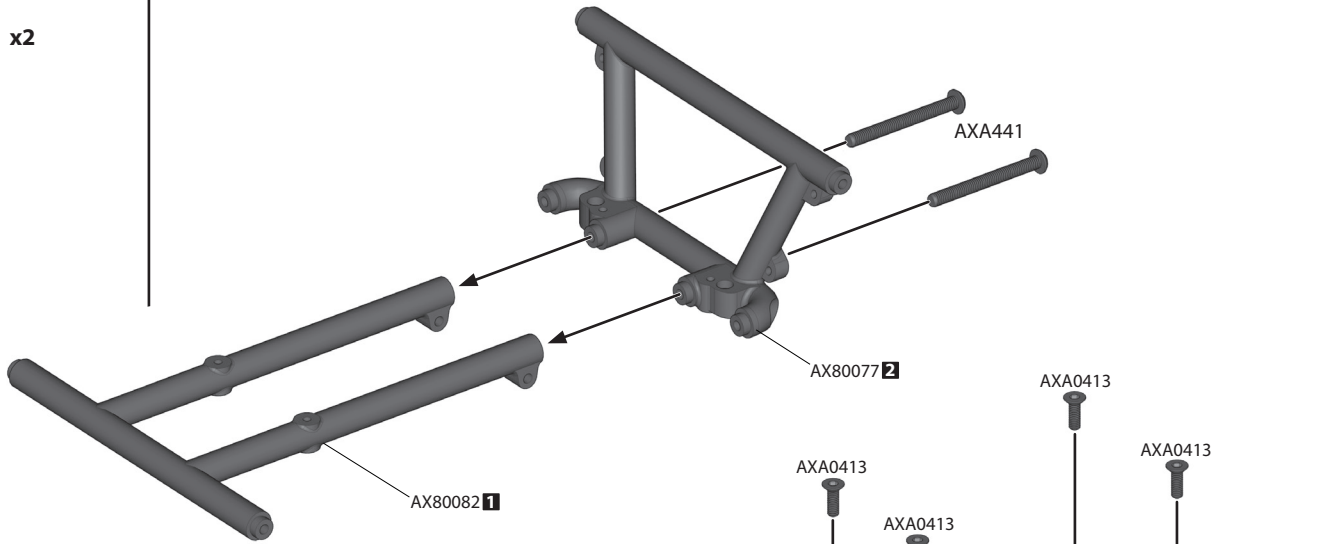
AXA187
M3x20mm Set Screw (Black Oxide) **x2**



AXA0413
M2.6x8mm **x4**

AXA441
M3x30mm **x2**

25





AXA0437
M3x15mm

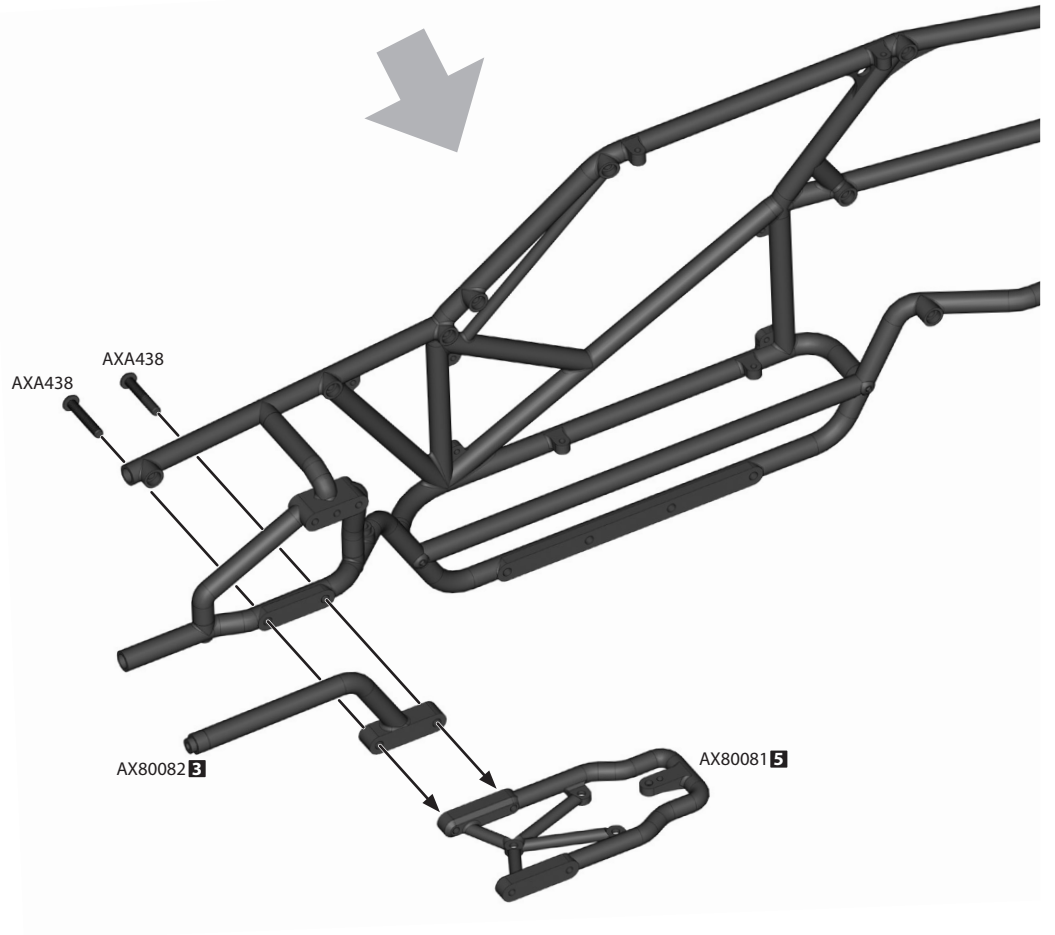
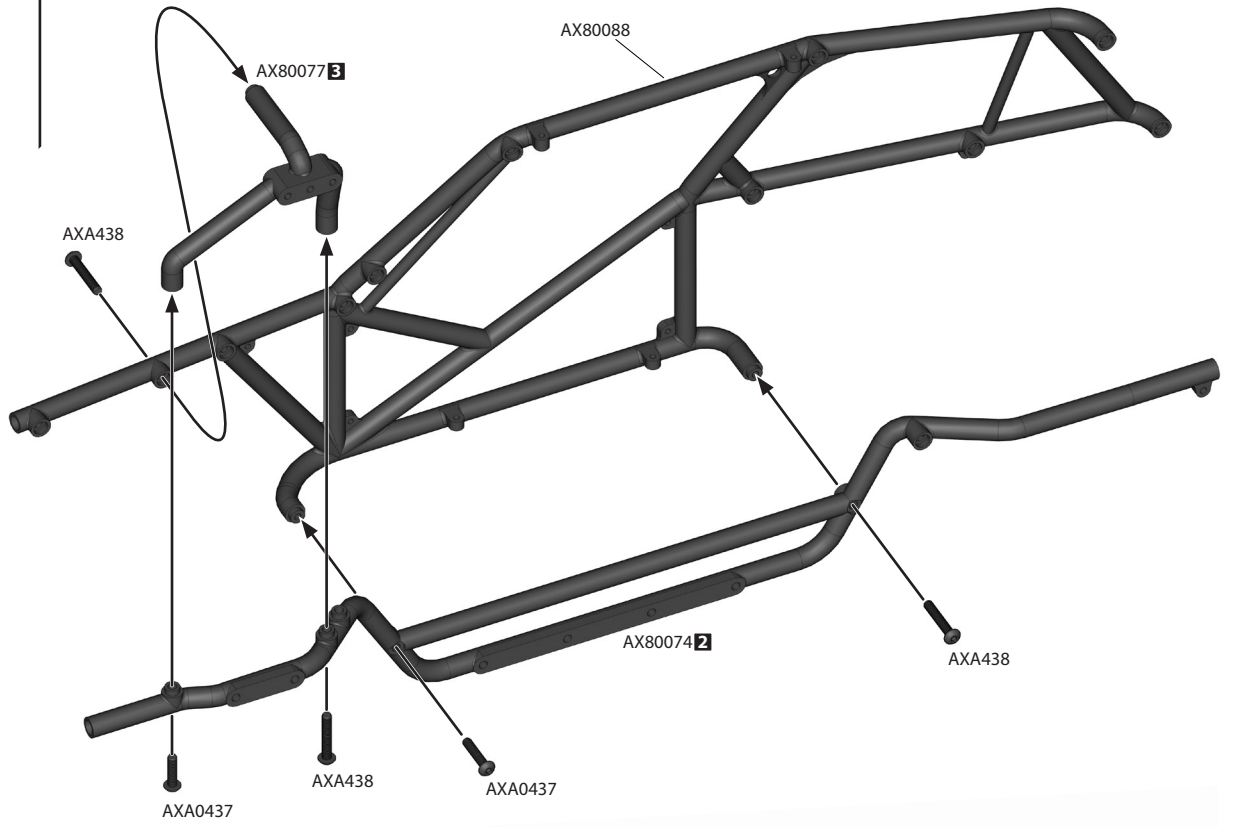
x2



AXA438
M3x18mm

x5

26 Left





AXA0437
M3x15mm

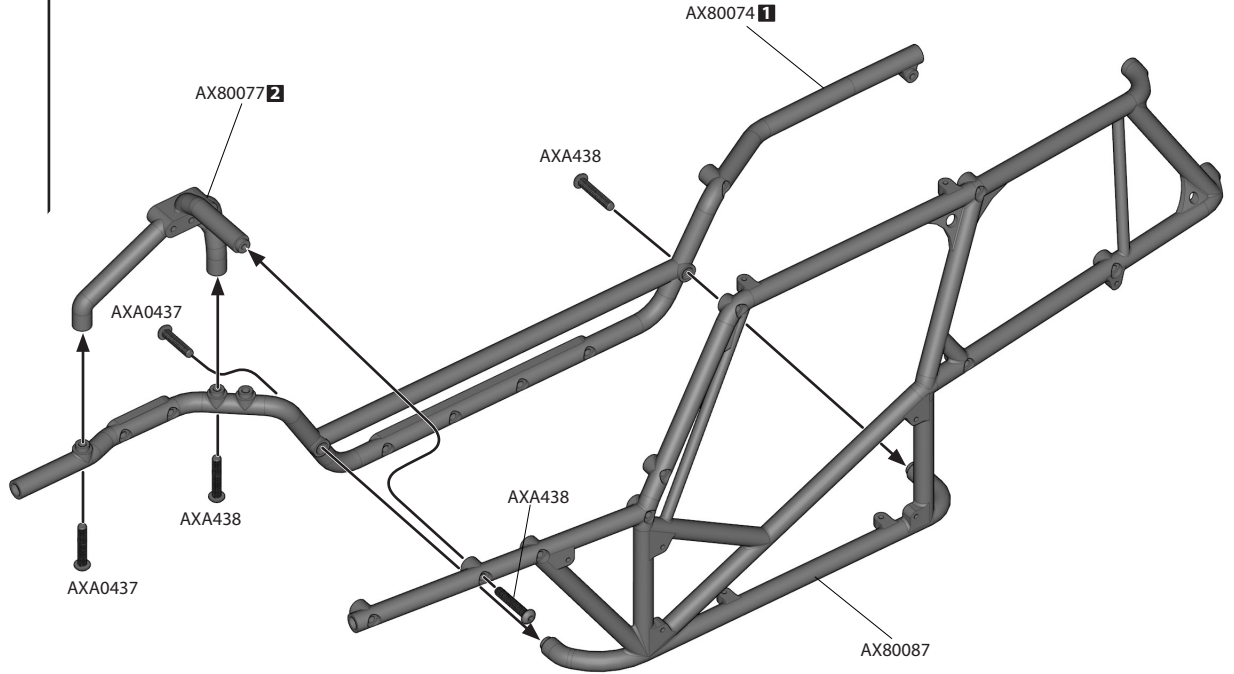
x2



AXA438
M3x18mm

x3

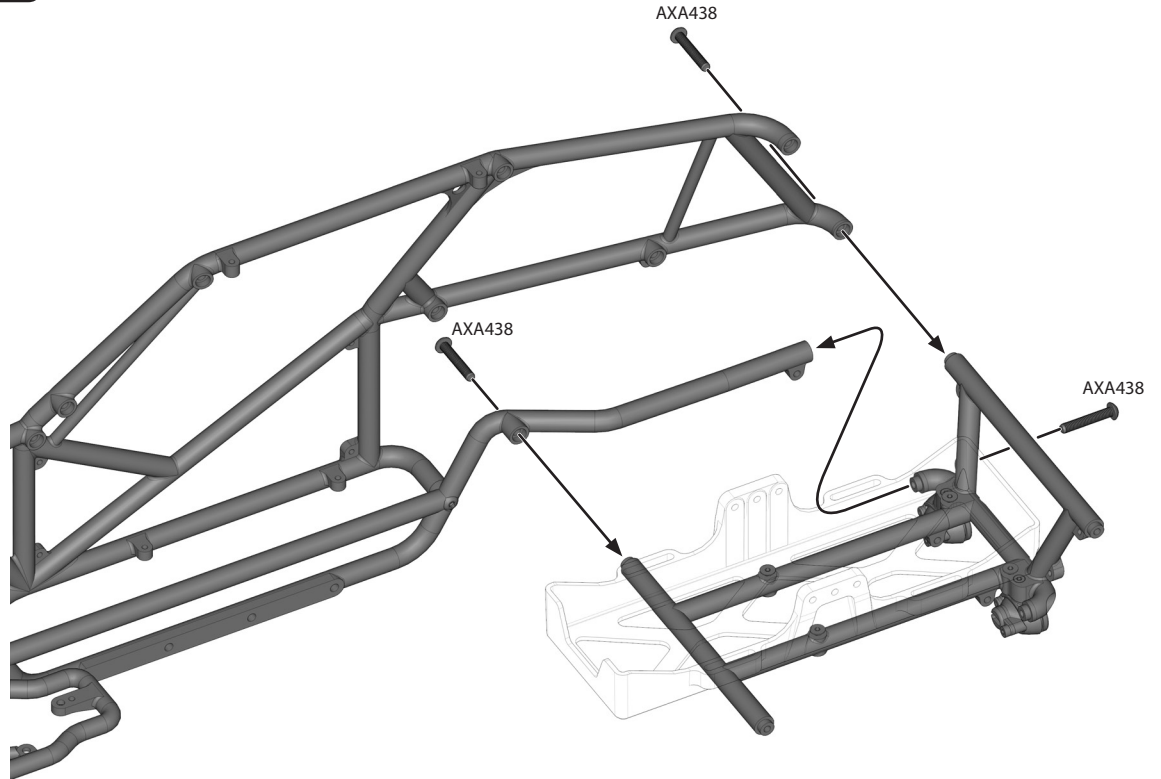
27 Right





AXA438
M3x18mm


x3


28

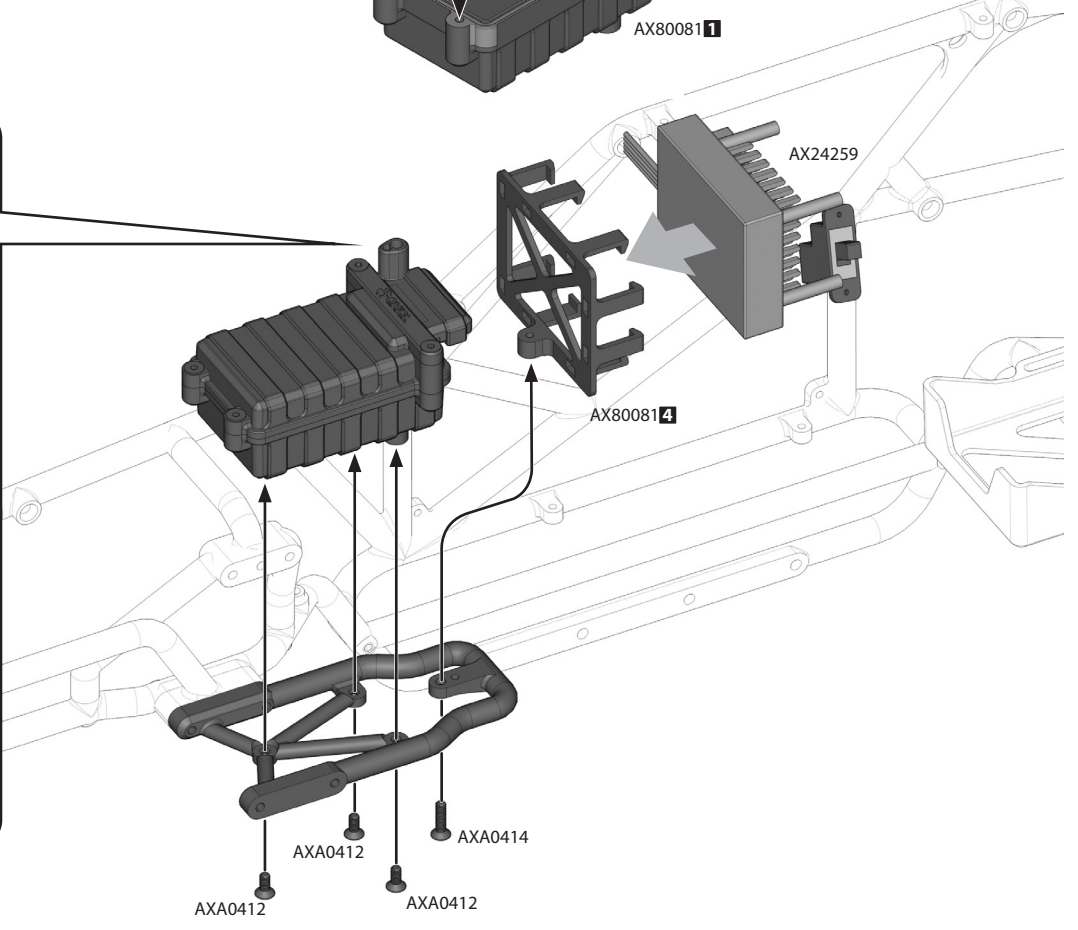
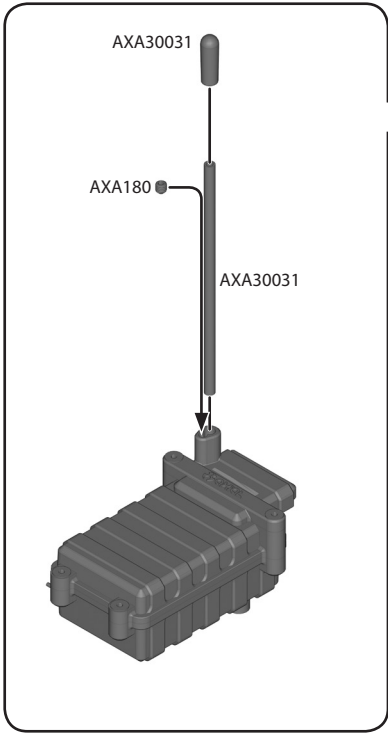
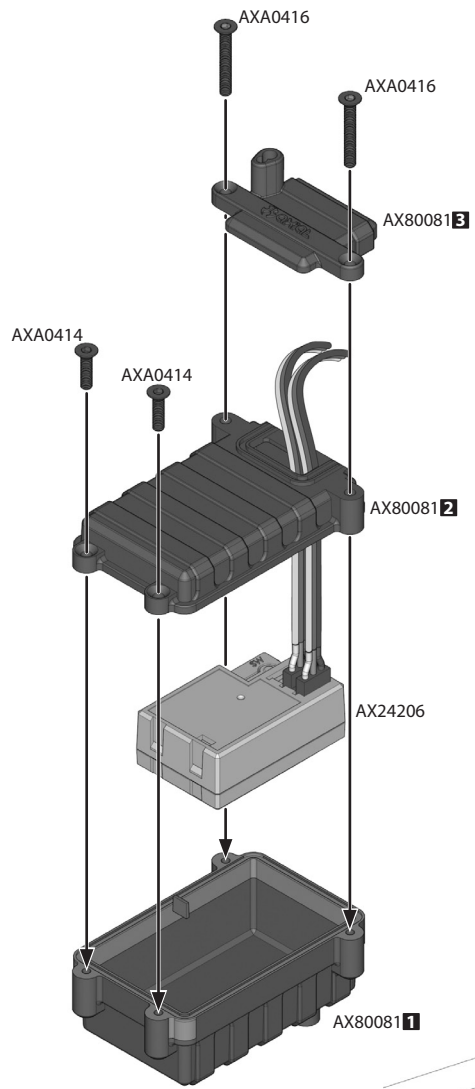


 **AXA0414**
M2.6x10mm **x3**

 **AXA0416**
M2.6x18mm **x2**

 **AXA0412**
M2.6x6mm **x3**

 **AXA180**
M3x3mm **x1**

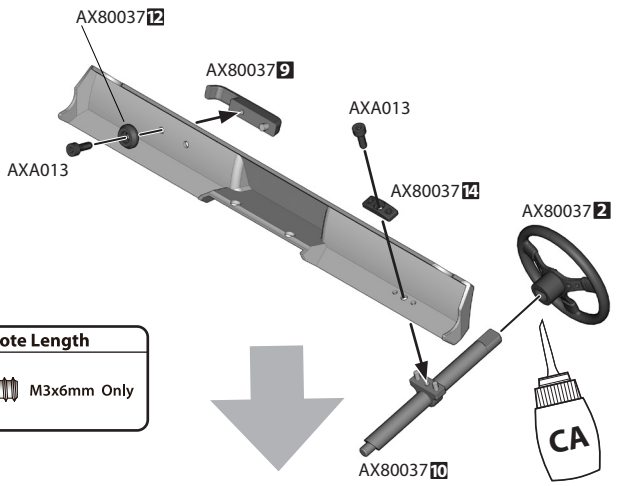
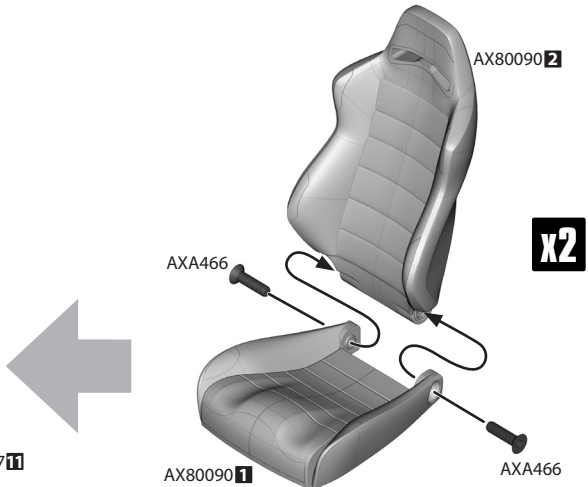
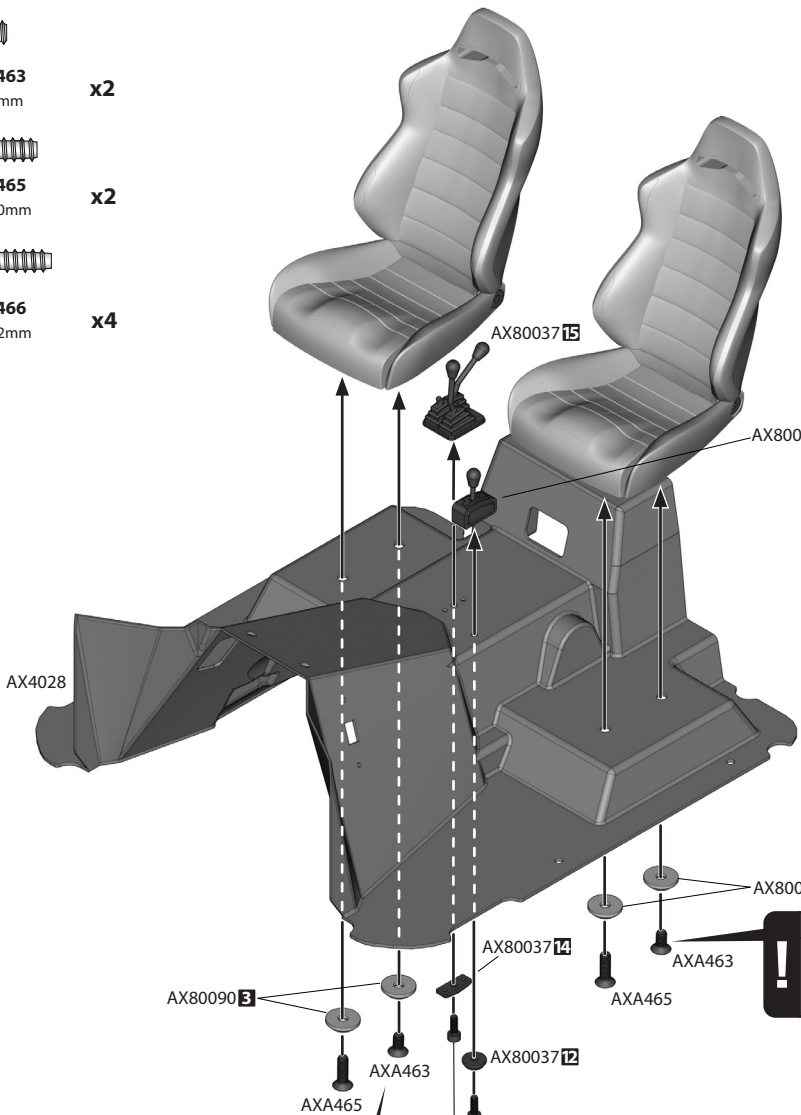


AXA013
M2x6mm **x4**

AXA463
M3x6mm **x2**

AXA465
M3x10mm **x2**

AXA466
M3x12mm **x4**

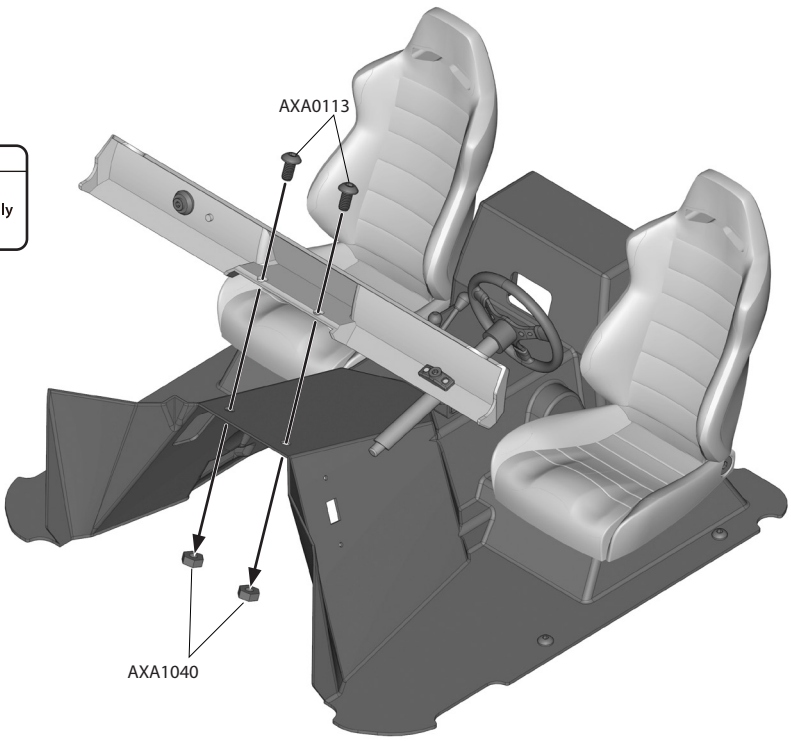


Note Length
M3x6mm Only

Note Length
M3x6mm Only

AXA0113
M3x6mm **x2**

AXA1040
M3 THIN HEX NUT (BLACK) **x2**





AXA0422
M2.6x6mm

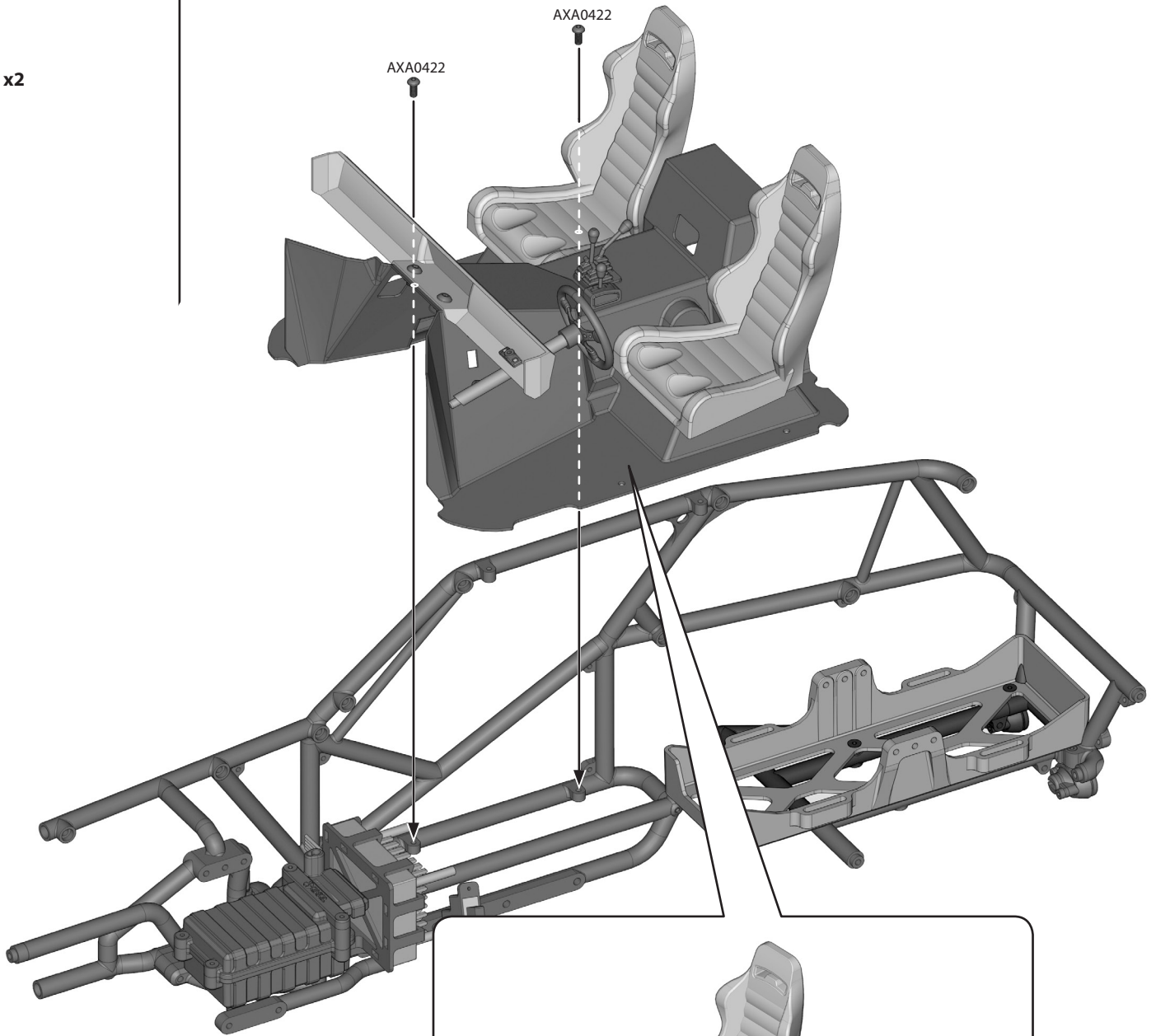
x2

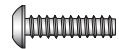


AXA013
M2x6mm

x2

31





AXA436
M3x12mm

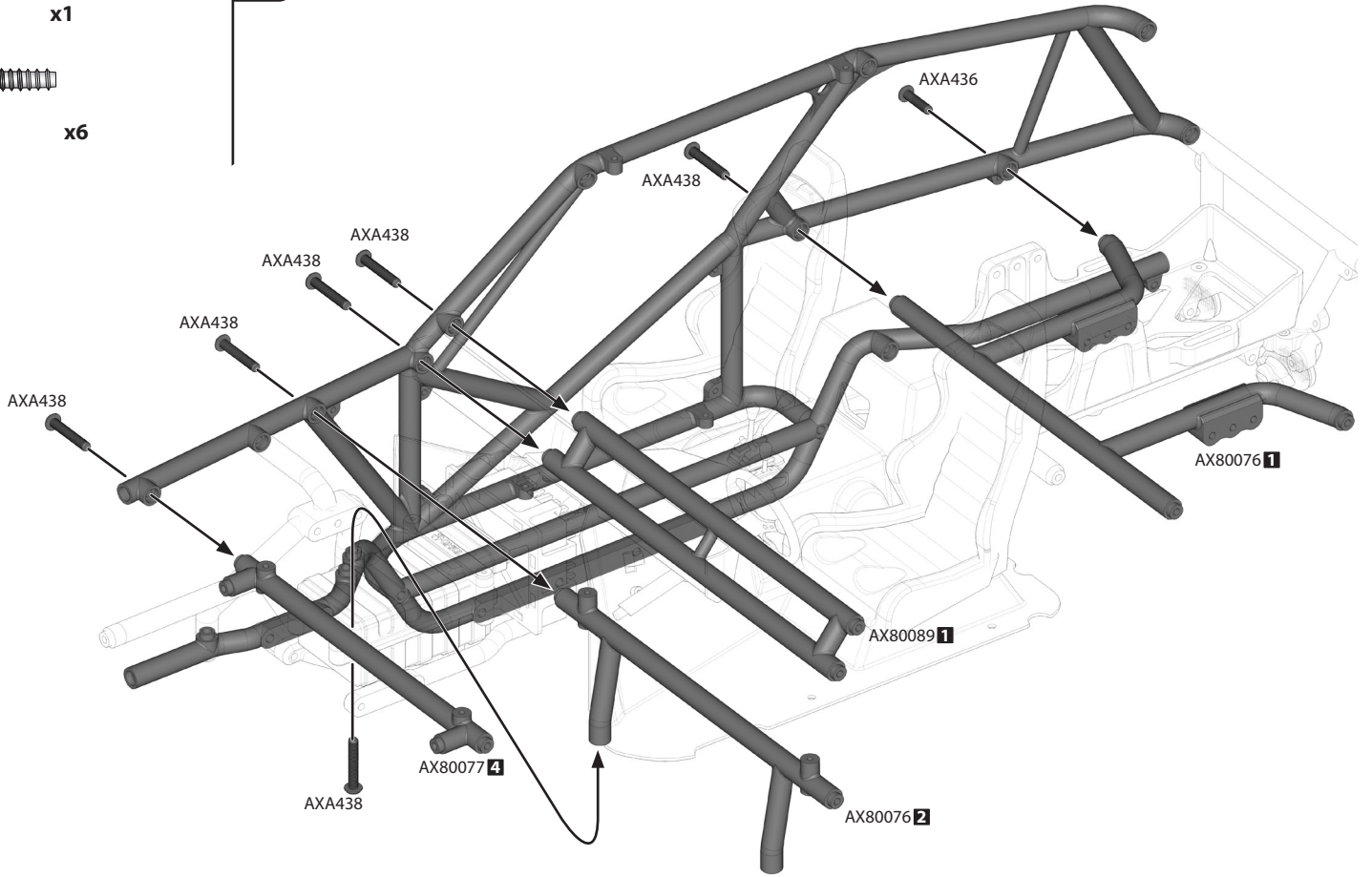
x1



AXA438
M3x18mm

x6

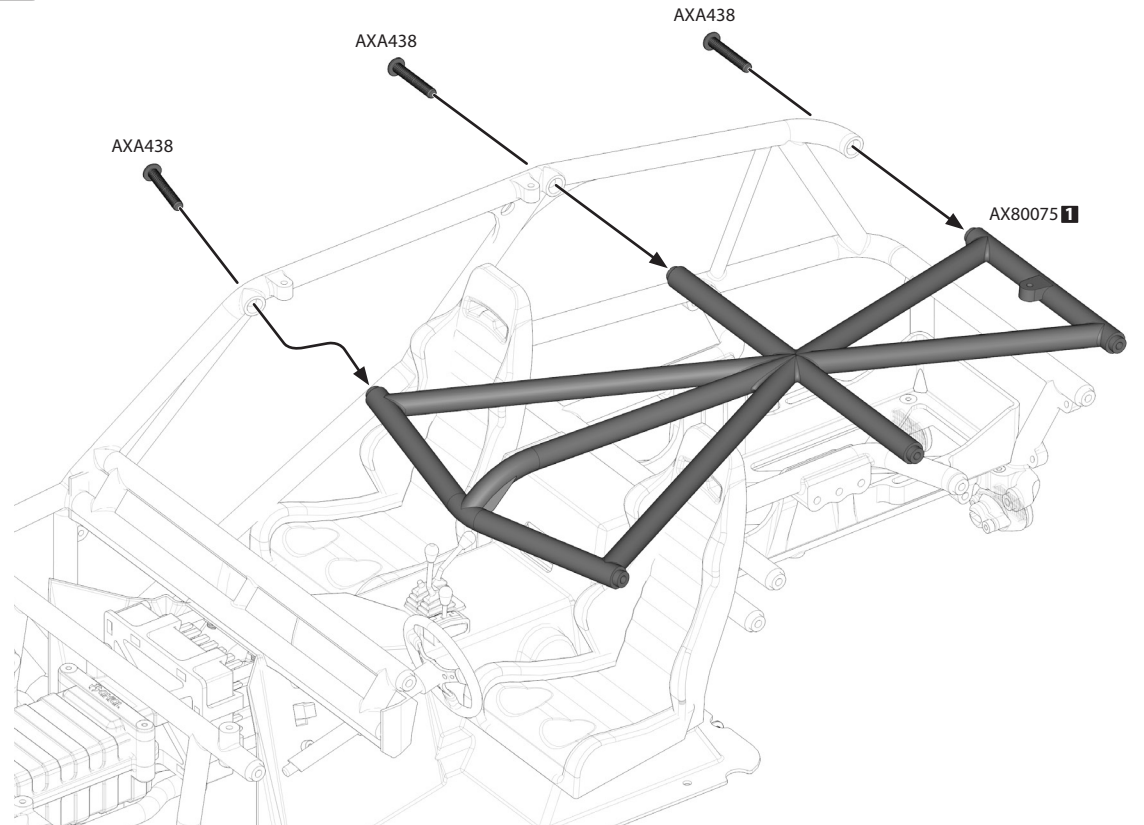
32






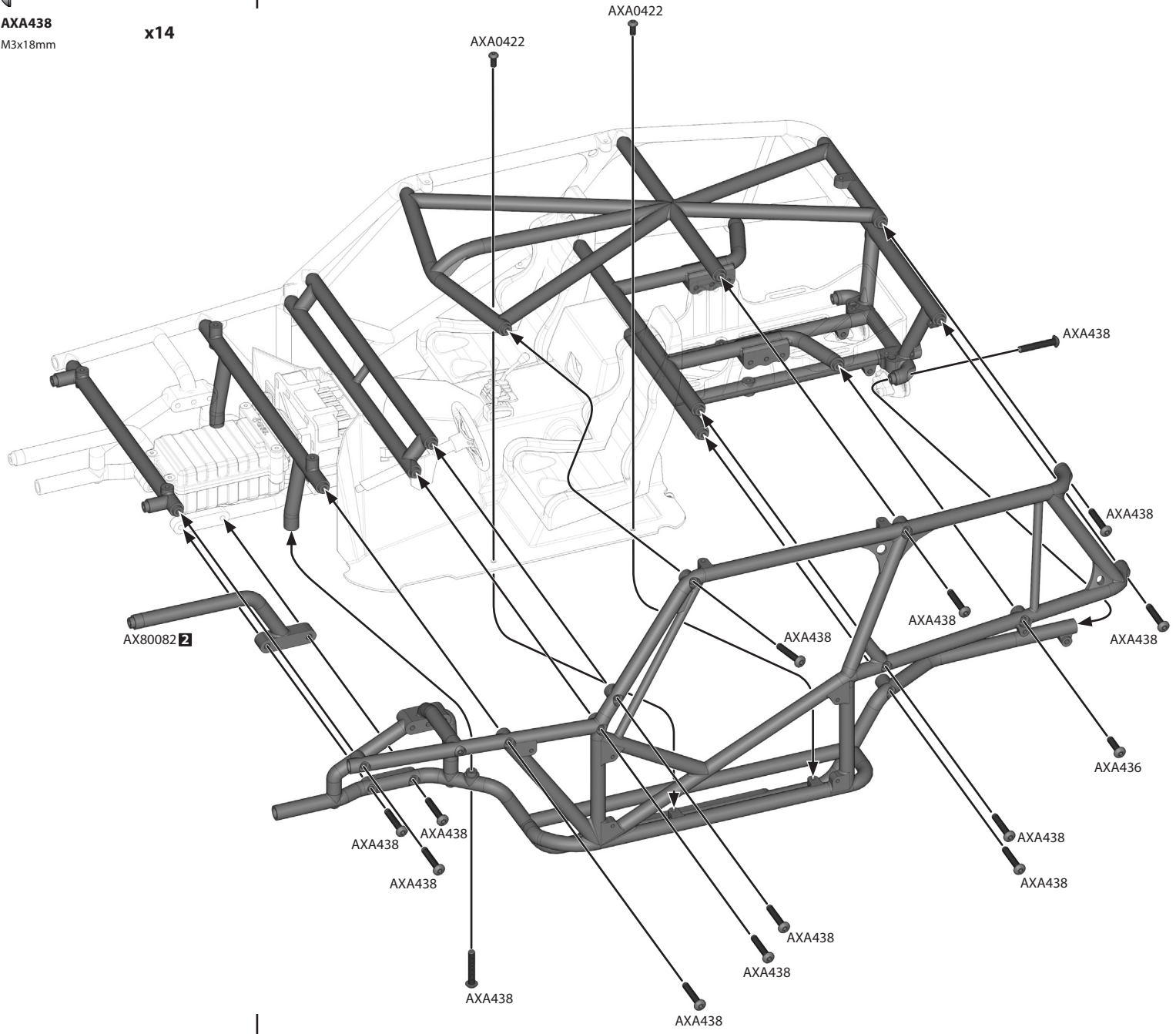
AXA438
M3x18mm

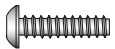
x3

33



-  **AXA0422**
M2.6x6mm **x2**
-  **AXA436**
M3x12mm **x1**
-  **AXA438**
M3x18mm **x14**

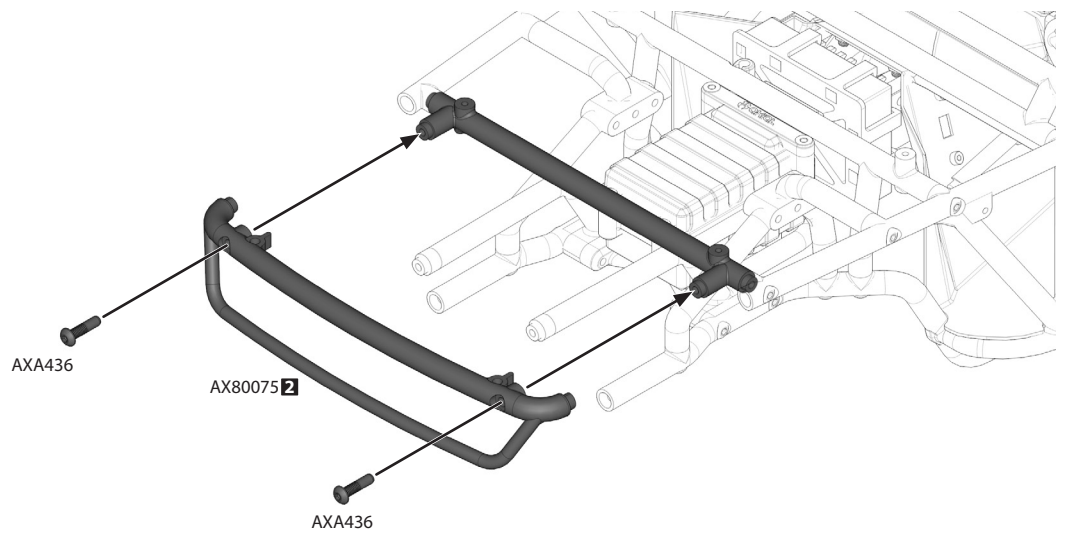




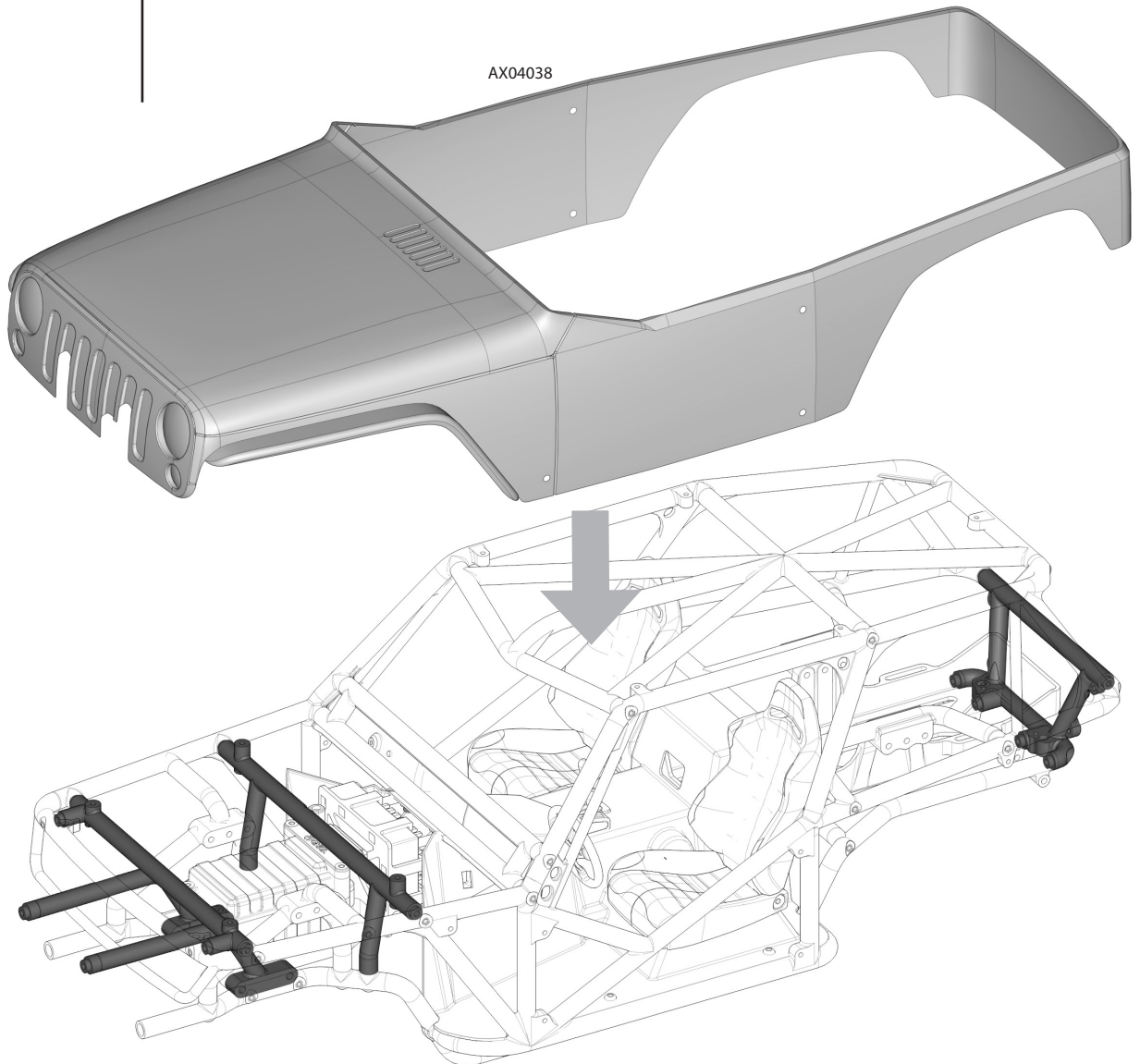
AXA436
M3x12mm

x2

35



36

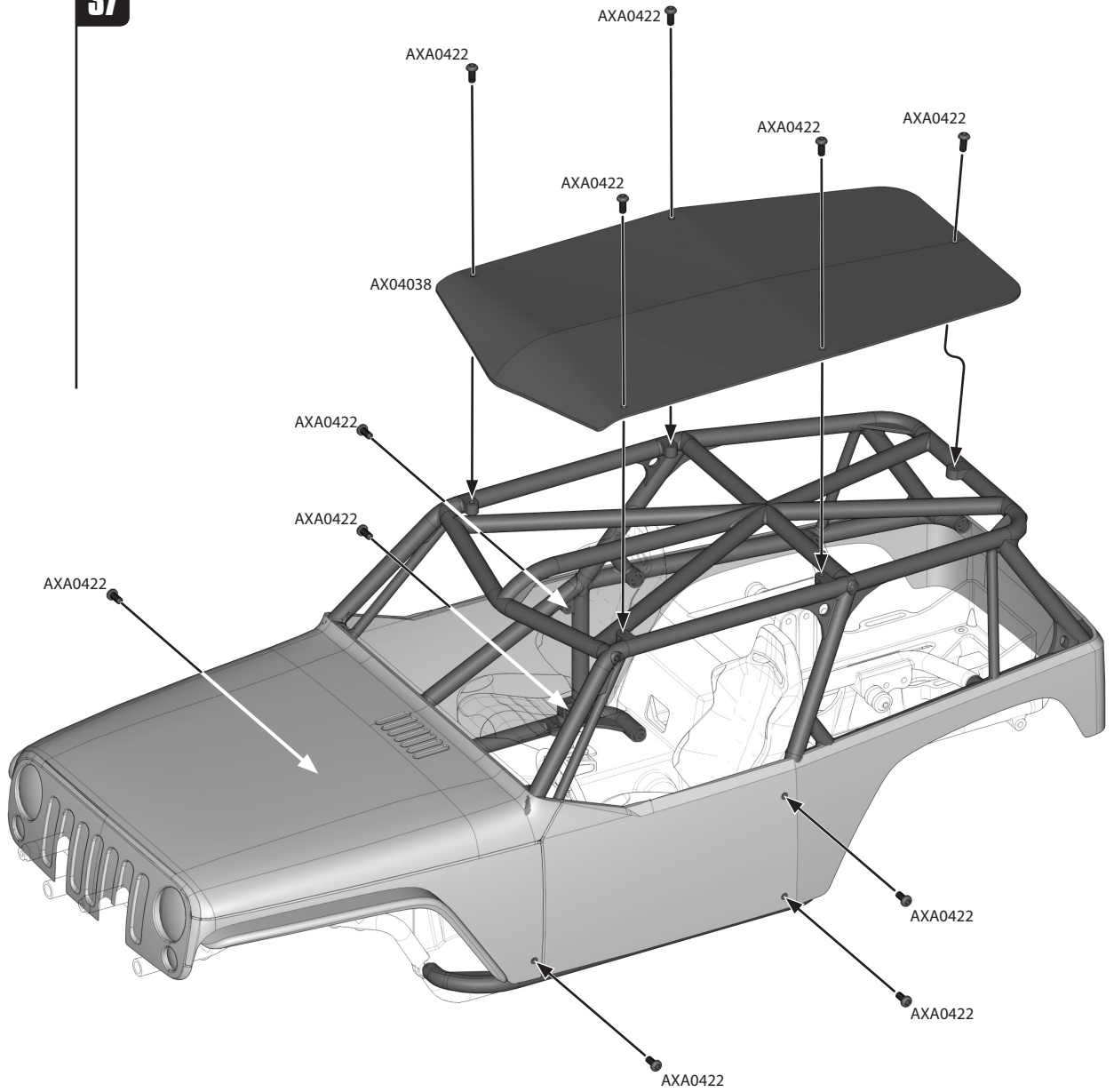




AXA0422
M2.6x6mm

x11

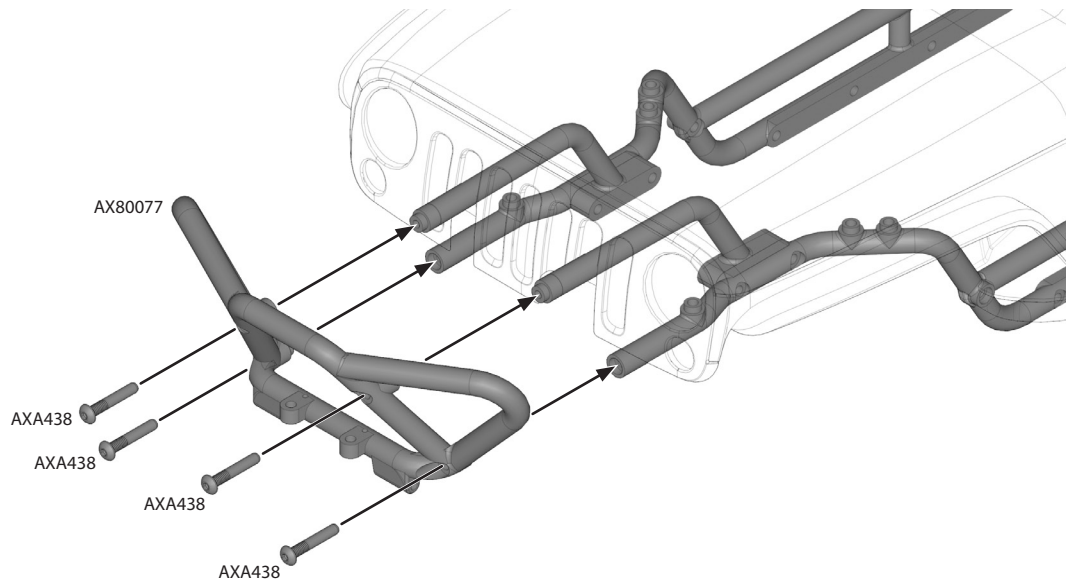
37



AXA438
M3x18mm

x4

38

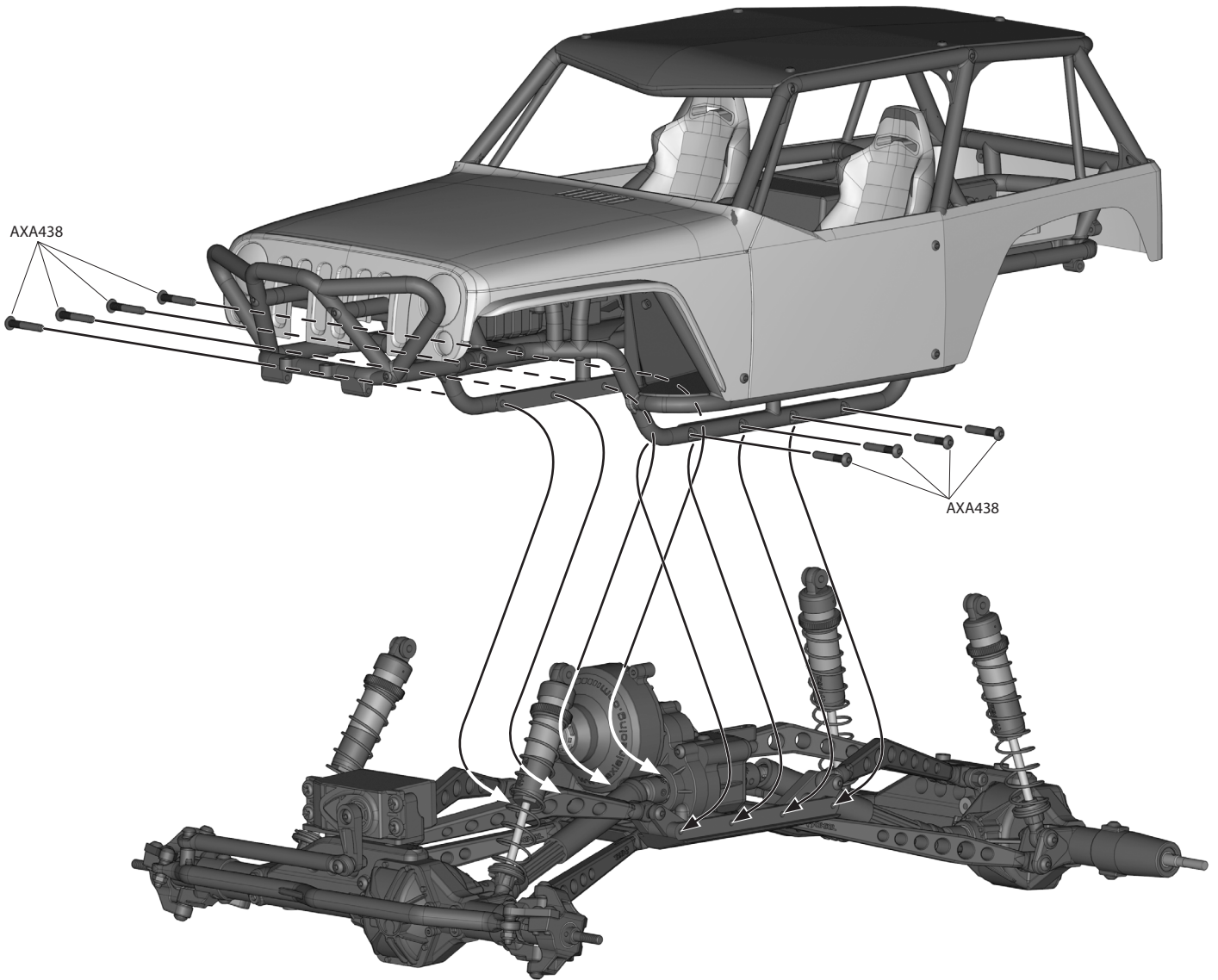




AXA438
M3x18mm

x8

39

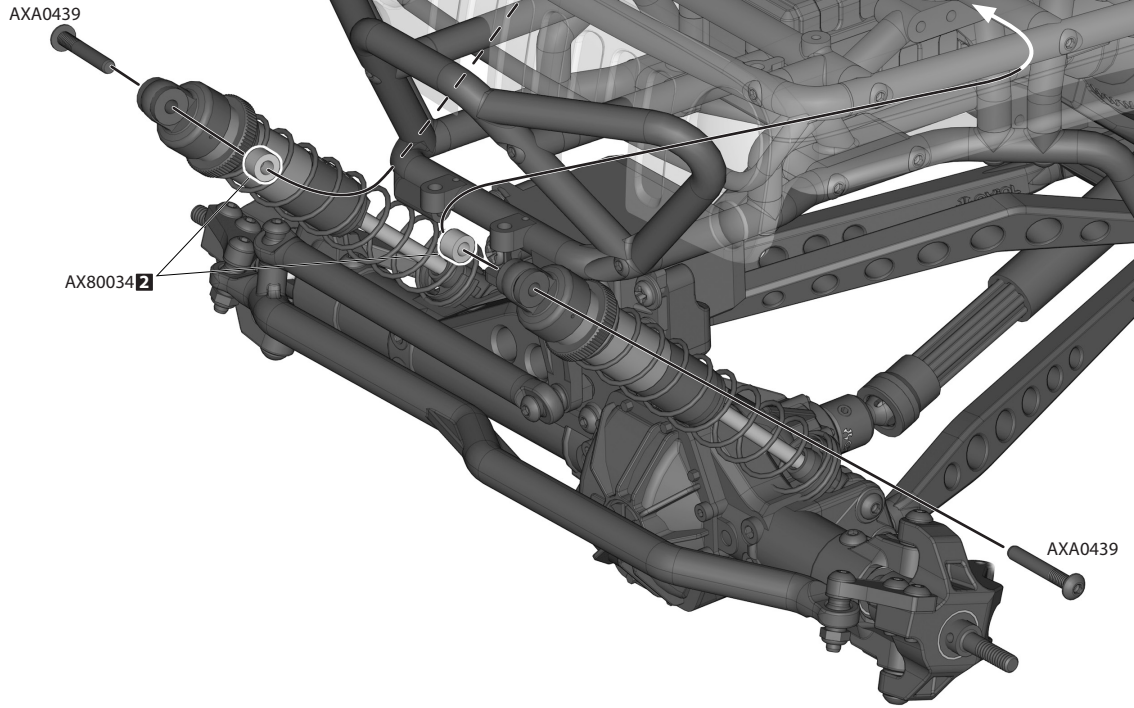




AXA0439
M3x20mm

x2

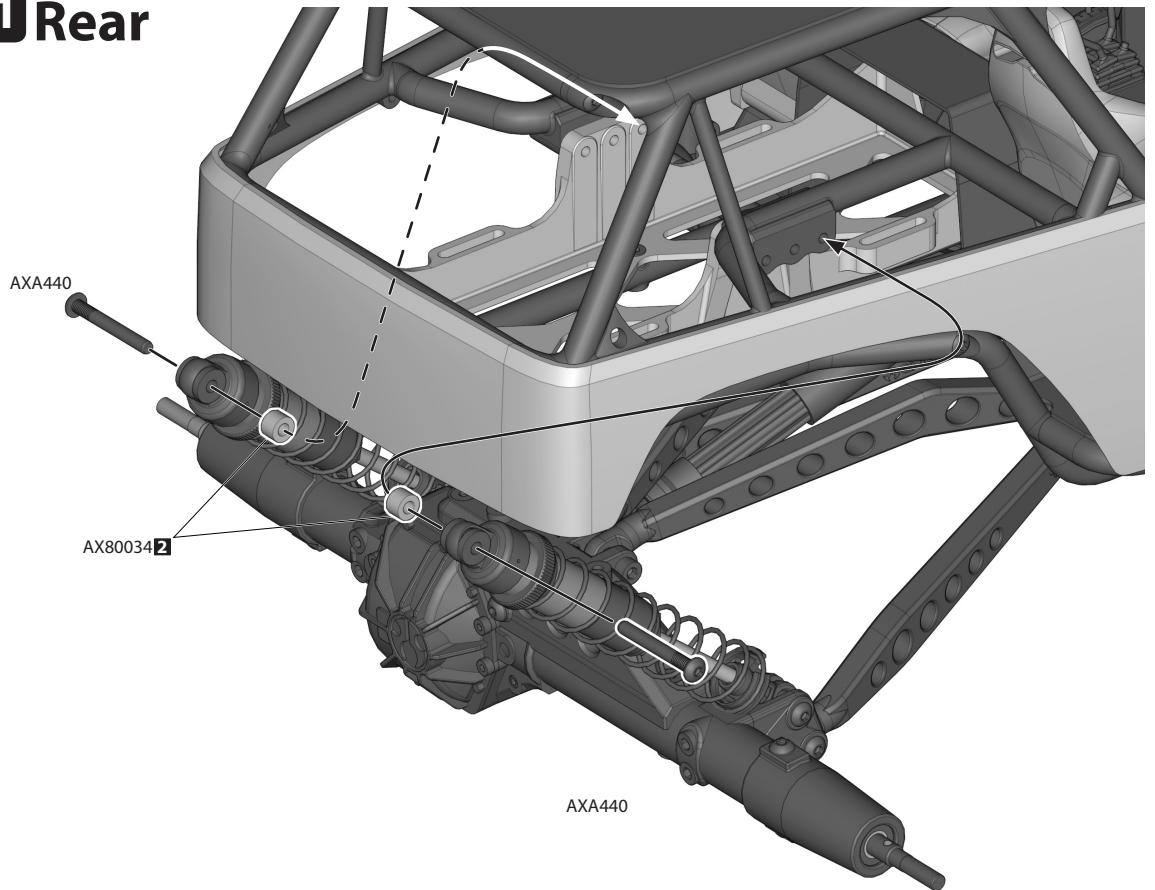
40 Front



AXA440
M3x25mm

x2

41 Rear





AXA0023
M2.6X8mm

x24

44

x4



AX30163
PIN 2.0x10mm

x4

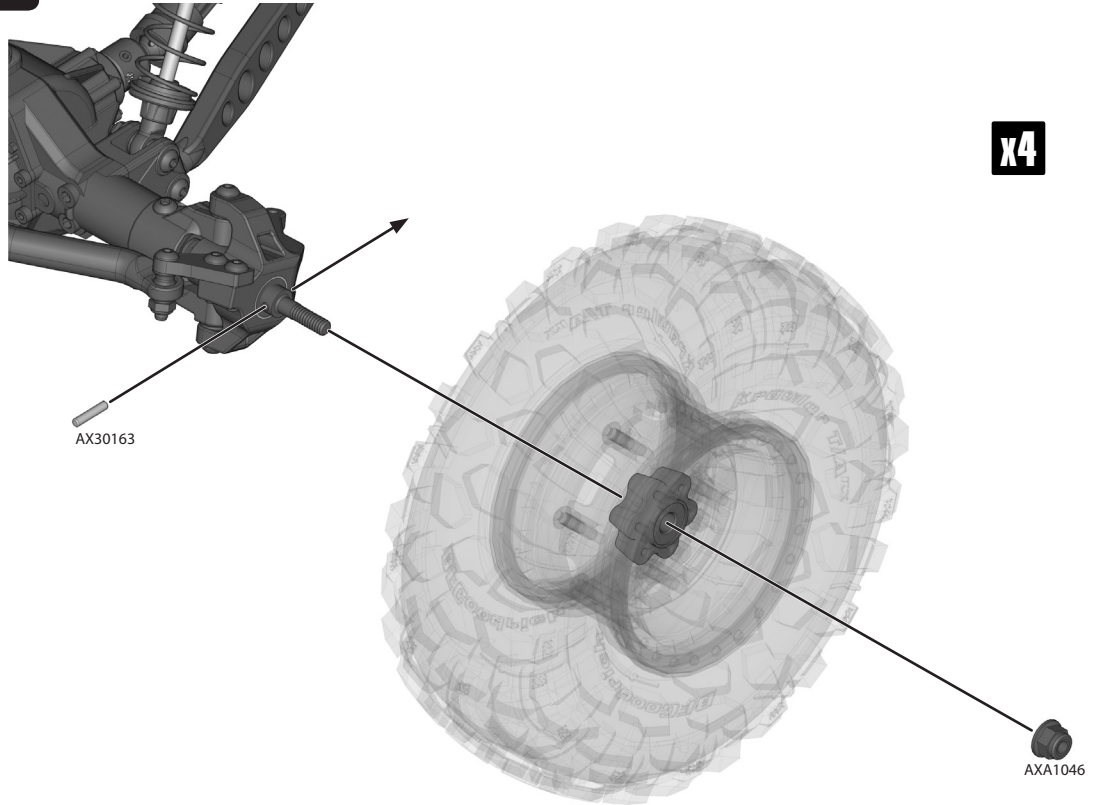


AXA1046
M4 Serrated Nylon Locking Nut (Blue)

x4

45

x4



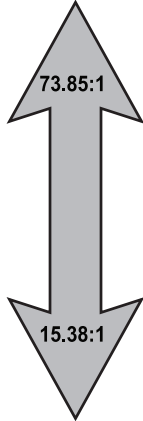
Gear Ratio / Getriebeübersetzung

Use this equation to calculate the final drive ratio.
Final Drive Gear Ratio = 1 / ((pinion/Spur) X .13)

Mit dieser Gleichung können Sie die Gesamtübersetzung berechnen.

Gesamtübersetzung = 1 / ((pinion/Spur) X .13)

Slower - More Torque
Langsamer - Mehr Kraft



Faster - Less Torque
Schneller - Weniger Kraft

		48 Pitch									
		Spur									
		70	72	75	78	81	85	87	90	93	96
Pinion	10								69.23	71.54	73.85
	11								62.94	65.03	67.13
	12							55.77	57.69	59.62	61.54
	13							51.48	53.25	55.03	56.80
	14						46.70	47.80	49.45	51.10	52.75
	15						43.59	44.62	46.15	47.69	49.23
	16						40.87	44.62	43.27	44.71	46.15
	17						36.32	39.37	40.72	42.08	43.44
	18					34.62	34.41	37.18	38.46	39.74	41.03
	19					32.79	34.41	35.22	36.44	37.65	38.87
	20					31.15	32.69	33.46	34.62	35.77	36.92
	21				28.57	29.67	31.14	31.87	32.97	34.07	35.16
	22				27.27	28.32	29.72	30.42	31.47	32.52	33.57
	23				26.09	27.09	28.43	29.10	30.10	31.10	32.11
	24			24.04	25.00	25.96	27.24	27.88	28.85	29.81	30.77
	25			23.08	24.00	24.92	26.15	26.77	27.69	28.62	29.54
	26			22.19	23.08	23.96	25.15	25.74	26.63	27.51	28.40
	27		20.51	21.37	22.22	23.08	24.22	24.79	25.64	26.50	27.35
	28		19.78	20.60	21.43	22.25	23.35	23.90	24.73	25.55	26.37
	29	18.57	19.10	19.89	20.69	21.49	22.55	23.08	23.87	24.67	25.46
	30	17.95	18.46	19.23	20.00	20.77	21.79	22.31	23.08	23.85	24.62
	31	17.37	17.87	18.61	19.35	20.10	21.09	21.59	22.33	23.08	23.82
	32	16.83	17.31	18.03	18.75	19.47	20.43	20.91	21.63	22.36	23.08
	33	16.32	16.78	17.48	18.18	18.88	19.81	20.28	20.98	21.68	22.38
	34	15.84	16.29	16.97	17.65	18.33	19.23	19.68	20.36	21.04	21.72
	35	15.38	15.82	16.48	17.14	17.80	18.68	19.12	19.78	20.44	21.10

Wheels - Tires / Räder - Ermüdet

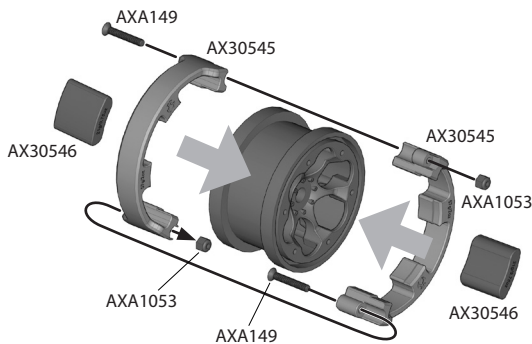
The Wraith Rock Racer is set up to be competitive right out of the box, however terrain, weather and driving style all affect the performance of the chassis. You can fine tune performance of your Wraith Rock Racer by adding weight, trimming the inner foam, and tuning your tires.

Der Wraith Rock Racer ist konstruiert, um aus der Schachtel konkurrenzfähig zu sein, jedoch beeinflussen Gelände, Wetter und Fahrstil die Leistung vom Chassis. Sie können die Leistung Ihre Wraith Rock Racer durch hinzufügen von Gewichten, Trimmen der Reifeneinlage und der Reifenabstimmung einstellen.

Adding Weight / Addiergewicht

You can add weight to the front axle to improve traction. Most users will use stick on wheel weights that fit inside the tire and mount to the wheel, but you can also use Airsoft pellets or BB's. You will have to experiment to determine how much weight to add.

Sie können an der Vorderachse Gewicht hinzufügen um die Traktion zu verbessern. Die meisten Fahrer verwenden aufsteckbare Rädergewichte die innerhalb des Reifens montiert werden, Sie können aber auch Airsoft Kugeln oder BB's verwenden. Sie werden experimentieren müssen, um zu bestimmen, wieviel Gewicht Sie hinzufügen müssen.

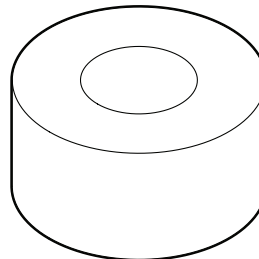


Tire Flex / Reifen Flex

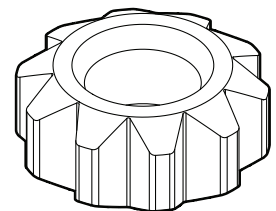
You can adjust the amount of tire flex you get by trimming your inner foam. Visit www.rccrawler.com to see all the choices you have before trimming your inner foams.

Sie können die Eigenschaften des Reifens durch trimmen der Reifeneinlage ändern. Besuchen Sie www.rccrawler.com, um Möglichkeiten für diese Änderung zu sehen, bevor Sie die Einlage bearbeiten.

Standard

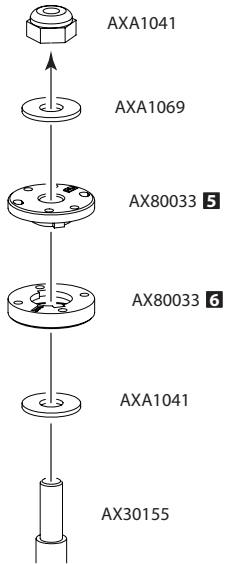


Trimmed



Shock Tuning / Stossdämpferabstimmung

Installation



Pistons

Standard Pistons

Provides the same dampening rate on both compression and extension

AX80033 **2**  **Soft**
(2) 1.3mm holes

AX80033 **3**  **Medium**
(3) 1.2mm holes

AX80033 **4**  **Firm**
(3) 1.1mm holes

Less

Dampening

More

Variable Rate Pistons

Provides a different dampening rate depending on which direction you install.

AX80033 **5** 

AX80033 **6** 

 AX80033 **5**

 AX80033 **6**

 AX80033 **6**

 AX80033 **5**

Install this direction for faster rebound and slower compression

Install this direction for Slower rebound and faster compression

Springs/Oil



Springs

Depending on the application you may want a firmer spring than what is included. Selecting a spring rate is based on each vehicles weight and handling and usually will require some trial and error.

For rock crawling applications it is recommended to use a stiffer spring on which ever corner is exhibiting torque twist.

Oil

Oils are another element you can use to tune the handling of your vehicle. You want an oil that allows the vehicle to handle the terrain well, but not too thin as to exhibit a springy bounce while driving.

We recommend starting with a good 30 wt. silicone oil. If you are looking for a faster rebound/compression rate use a lower weight oil. If you are looking for a slower rebound/compression rate use a higher weight oil.

10wt.

100wt.

Faster ← Dampening → Slower

Parts List

Part #	Description	Part #	Description
AX24254	Axial Double LED Light String (Orange LED)	AX30829	Axial AR60 OPC Machined Low Profile Differential Cover
AX24255	Axial Single LED Light String (White LED)	AX30830	Axial AR60 OPC Machined Link Mounts
AX24256	Axial 5 LED Light String (White LED)	AX30831	AR60 OCP Front Axle Set (Complete)
AX24257	Simple LED Controler w/LED lights (4 white and 2 red)	AX30834	Aluminum Servo Horn 23T
AX30031	Antenna	AX30835	Aluminum Servo Horn 24T
AX30092	Axial 72-103mm Shock Set - 10mm Piston (2pcs)	AX30836	Aluminum Servo Horn 25T
AX30218	Spring 14x70mm 2.07 lbs/in - Super Soft (Red) (2pcs)	AX80080	Corbeau LG1 Seat (Grey) (2pcs)
AX30219	Spring 14x70mm 2.47 lbs/in - Soft (White) (2pcs)	AX8091	Axial 2.2 Rockster Beadlocks (Black)
AX30220	Spring 14x70mm 2.85 lbs/in - Medium (Green) (2pcs)	AX8092	Axial 2.2 Rockster Beadlocks (Chrome)
AX30221	Spring 14x70mm 3.27 lbs/in - Firm (Yellow) (2pcs)	AX8095	Axial 2.2 Rockster Beadlocks (Black Chrome)
AX30222	Spring 14x70mm 3.55 lbs/in- Super Firm (Blue) (2pcs)	AX8097	2.2 8 Hole Beadlocks (Black)
AX30223	Spring 14x70mm 1.04 lbs/in - Black (2pcs)	AX8112	2.2 Beadlock Ring - Grey (2pcs)
AX30224	Spring 14x70mm 1.43 lbs/in - Purple (2pcs)	AX8117	2.2 Rock Beadlock Ring - Grey (2pcs)
AX30225	Spring 14x70mm 1.75 lbs/in - Orange (2pcs)	AXA1105	Cone Washer 3x6.9x2mm - Grey (6pcs)
AX30395	Heavy Duty Bevel Gear Set 38T/13T	AXA1331	Flanged Ball 3x5.8x7mm (6pcs)
AX30401	Heavy Duty Bevel Gear Set 36T/14T	AXA1412	0.5x6mm Spacer - Grey (6pcs)
AX30402	Heavy Duty Bevel Gear Set 43T/13T	AXA1413	1x6mm Spacer - Grey (6pcs)
AX30469	Machined Hi-Clearance Links - Grey (2pcs)	AXA1414	2x6mm Spacer - Grey (6pcs)
AX30545	2.2 Internal Wheel Weight Ring 57g/2oz (2 pcs)	AXA1415	3x6mm Spacer - Grey (6pcs)
AX30546	2.2 Internal Wheel Weight Insert 21g/0.75oz (4pcs) (for use with AX30545)	AXA1416	4x6mm Spacer - Grey (6pcs)
AX30569	Pinion 48P 14T - Steel	AXA1417	5x6mm Spacer - Grey (6pcs)
AX30571	Pinion 48P 13T - Steel	AXA1418	6x6mm Spacer - Grey (6pcs)
AX30572	Pinion 48DP 14T	AXA1419	7x10mm Post - Grey (2pcs)
AX30573	Pinion 48P 15T - Steel	AXA1420	7x15mm Post - Grey (2pcs)
AX30672	Spurs 48DP 87T	AXA1421	7x20mm Post - Grey (2pcs)
AX30709	Universal 5 Bucket Light Bar Set	AXA1422	7x25mm Post - Grey (2pcs)
AX30760	XR10 Aluminum Steering Knuckle (Black) (2pcs)	AXA1423	7x30mm Post - Grey (2pcs)
AX30762	XR10 Aluminum C-Hub Carrier (Black) (2pcs)	AXA1424	7x35mm Post - Grey (2pcs)
AX30780	Universal Joint Axles	AXA1425	7x40mm Post - Grey (2pcs)
AX30781	Wraith Front Sway Bar Set (Soft, Medium, Firm)	AXA1426	7x45mm Post - Grey (2pcs)
AX30782	Wraith Rear Sway Bar Set (Soft, Medium, Firm)	AXA1427	7x50mm Post - Grey (2pcs)
AX30789	Axial AR60 OCP Aluminum Straight Axle Hub Carries	AXA1428	7x55mm Post - Grey (2pcs)
AX30790	Machined Heavy Duty Aluminum Straight Link 101mm - Grey (2pcs)	AXA1429	7x60mm Post - Grey (2pcs)
AX30793	Dig Component Set	AXA1430	7x65mm Post - Grey (2pcs)
AX30797	Wraith Stage 1 Aluminum Links Kit	AXA1431	7x70mm Post - Grey (2pcs)

NOTES

OFFICIALLY LICENSED TECHNICAL PARTNERS:



EXPLORE

facebook.com/axialinc | twitter.com/axialracing | youtube.com/axialvideos | flickr.com/axialrc



8 GOODYEAR
SUITE 125
IRVINE, CA 92618

AX90031-I001

www.axialracing.com