

INSTRUCTION MANUAL
AX90026-1001

YETI™

READY-TO-RUN **ROCK RACER**

1/10th SCALE ELECTRIC 4WD • BRUSHLESS • WATERPROOF

ROCK RACER SERIES



 **axial**®

www.axialracing.com

CAUTIONS



To prevent serious personal injury and/or property damage, operate all remotely controlled models in a responsible manner as outlined herein.

CHOOSE THE RIGHT PLACE TO OPERATE YOUR R/C MODEL.

- Do not run on public streets or highways. This could cause serious accidents, personal injuries, and/or property damage.
- Never run R/C models near people or animals.
- To avoid injury, do not run in confined spaces.
- Do not run where loud noises can disturb others, such as hospitals and residential areas.
- Never run indoors. There is a high risk of fire and/or damage.

INSPECT YOUR MODEL BEFORE OPERATION.

- Make sure that all screws and nuts are properly tightened. It is also a good idea to use removable thread lock wherever metal screws go into metal, especially for engine mounts and the engine pilot shaft.
- Always use fresh batteries for your transmitter and for your receiver to avoid losing control of the model.
- Always test the brakes and throttle before starting your engine to avoid losing control of the model.

AFTER OPERATION OF YOUR R/C MODEL

- Turn off receiver first, then turn off transmitter, this will prevent runaways.
- Be careful when handling batteries, they will be hot after running.
- Replace any batteries that have been dented or have frayed wires, short circuits can cause fire.
- Be sure to keep your R/C model clean and free of excess dirt and grease, this will increase the life.

VORSICHT!



Um Verletzungen an Personen und/oder Sachschäden zu vermeiden, sollten alle ferngesteuerten Modelle sorgfältig und verantwortungsbewusst bedient werden, wie nachfolgend beschrieben.

Wählen Sie den richtigen Platz zum Fahren

- Fahren Sie niemals auf öffentlichen Straßen. Dies könnte Verkehrsunfälle, Personen schäden oder Sachschäden verursachen.
- Fahren Sie niemals in der Nähe von anderen Personen oder Tieren.
- Fahren Sie niemals auf belebten Straßen.
- Fahren Sie nie in der Nähe von Wohnhäusern oder Krankenhäusern. Der Lärm könnte andere Personen stören.
- Fahren Sie niemals in Innenräumen. Dort könnte etwas beschädigt werden.

Überprüfen Sie Ihr Modell, bevor Sie es in Betrieb nehmen.

- Gehen Sie sicher, dass alle Schrauben und Muttern festgezogen sind. Verwenden Sie überall dort Schrauben-Sicherungslack, wo Metallschrauben in ein Metallgewinde greifen, besonders bei den Motorhaltern.
- Um Störungen zu vermeiden, benutzen Sie immer voll geladene Akkus in Ihrem Sender und Empfänger.
- Bevor Sie den Motor starten, sollten Sie immer die Funktion der Bremse und des Gashebels testen.

Nach Betrieb des RC Modells:

- Zuerst den Empfänger abdrehen, dann den Sender abdrehen um unkontrolliertes Durchgehen zu vermeiden.
- Seien Sie vorsichtig mit gebrauchten Akkus, sie können nach dem Gebrauch heiß sein.
- Ersetzen Sie Akkus/Batterien die beschädigt sind oder schadhafte Kabel aufweisen, sie können Kurzschlüsse oder Feuer verursachen.
- Halten Sie Ihr Fahrzeug sauber und entfernen Sie Schmutz und Schmierfett, damit erhöhen Sie die Lebensdauer Ihres Modells.

PRECAUTIONS



Afin d'éviter toutes blessures corporelles et/ou dommages environnants, veuillez procéder en toute responsabilité comme indiqué ci-dessous

Choisir le lieu adéquat pour faire rouler votre modèle.

- Ne jamais rouler dans les rues ou sur les routes ouvertes au public. Ceci peut provoquer de graves accidents.
- Ne jamais rouler près de personnes ou d'animaux.
- Pour éviter les blessures, ne pas rouler dans des espaces confinés.
- Ne jamais rouler où le bruit peut déranger, comme aux abords des hôpitaux ou des quartiers résidentiels.
- Ne jamais rouler à l'intérieur: les gaz d'échappement sont nocifs.

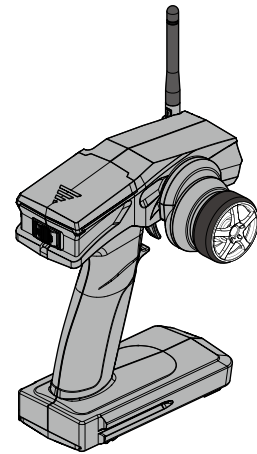
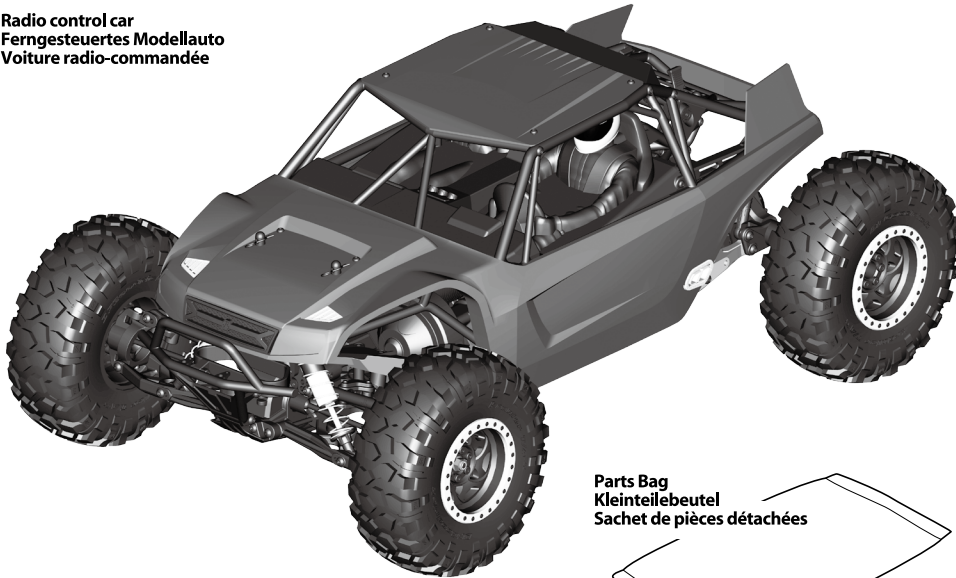
Controler votre modèle avant chaque utilisation.

- Vérifier que les vis et les écrous sont bien serrés. Il est très fortement conseillé d'utiliser du frein filet pour bloquer les vis qui sont en contact avec du métal et tout particulièrement les vis du moteur.
- Toujours utiliser des batteries bien chargées pour l'émission et la réception.
- Toujours vérifier les freins et la commande des gaz avant de démarrer.

Après l'Opération De Votre Modèle de R/C

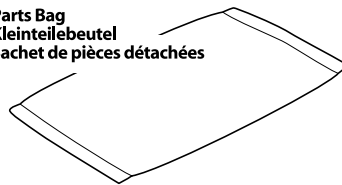
- Le virage du récepteur premier, alors virage de l'émetteur, ceci empêchera des fugitifs.
- Faire attention en contrôlant des piles, ils auront chaud après avoir couru.
- Remplacer n'importe quelles piles qui ont été cabossées ou a éraillé des fils, les court-circuits peuvent causer le feu.
- Etre sûr de garder votre modèle de R/C nettoie et libère de terre et la graisse supplémentaires, ceci augmentera la vie.

Radio control car
Ferngesteuertes Modellauto
Voiture radio-commandée

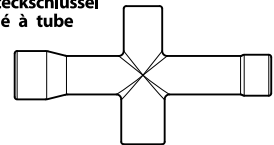


2.4GHz
Transmitter
Sender
Emetteur

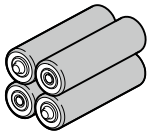
Parts Bag
Kleinteilebeutel
Sachet de pièces détachées



Cross wrench
Steckschlüssel
Clé à tube



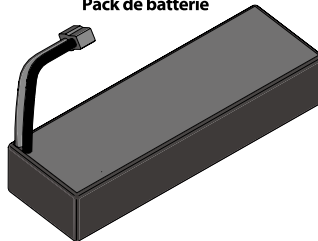
Equipment needed / Benötigtes Zubehör / Equipement nécessaire



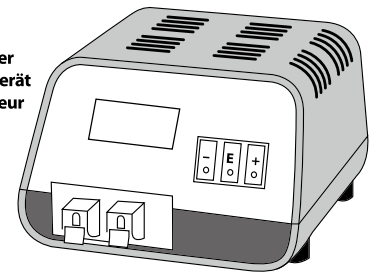
x4

4 AA Alkaline Dry Batteries.
4 St. AA Trockenbatterien.
4 piles type R6 pour votre
radio commande.

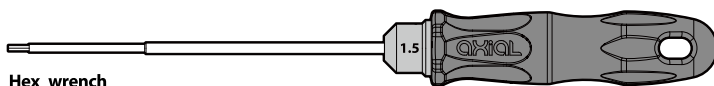
Battery
Akku-Pack
Pack de batterie



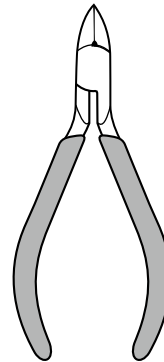
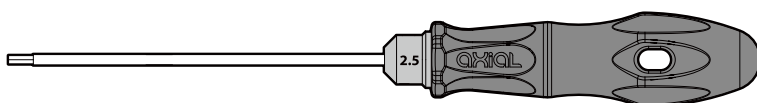
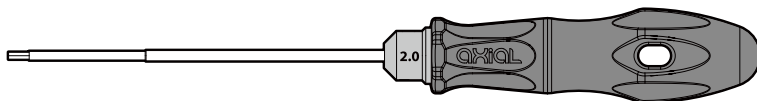
Charger
Ladegerät
Chargeur



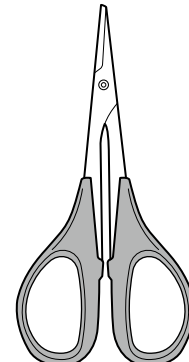
Tools Recommended / Benötigte Werkzeuge / Outillage



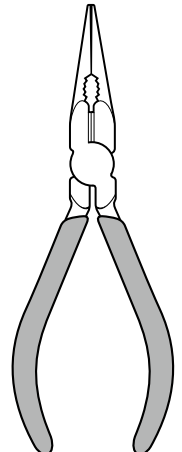
Hex wrench
Inbusschlüssel
Clé Allen



Side cutter
Seitenschneider
Pincès coupantes

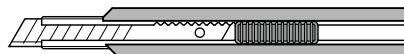


Curved scissors
Schere
Ciseaux

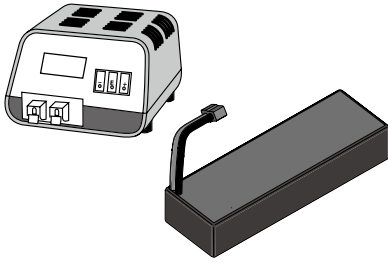


Long nose pliers
Flachzange
Pincès à becs longs

Modeling knife
Modelliermesser
Couteau de modéliste



Charge your battery / Laden des Fahrakkus / Chargement de la batterie



Follow the manufacturer's directions for the charger you purchased to properly charge your batteries.

Folgen Sie den Herstelleranweisungen für den Auflader Ihres gekauften ordentlich, Ihre Batterien zu laden.

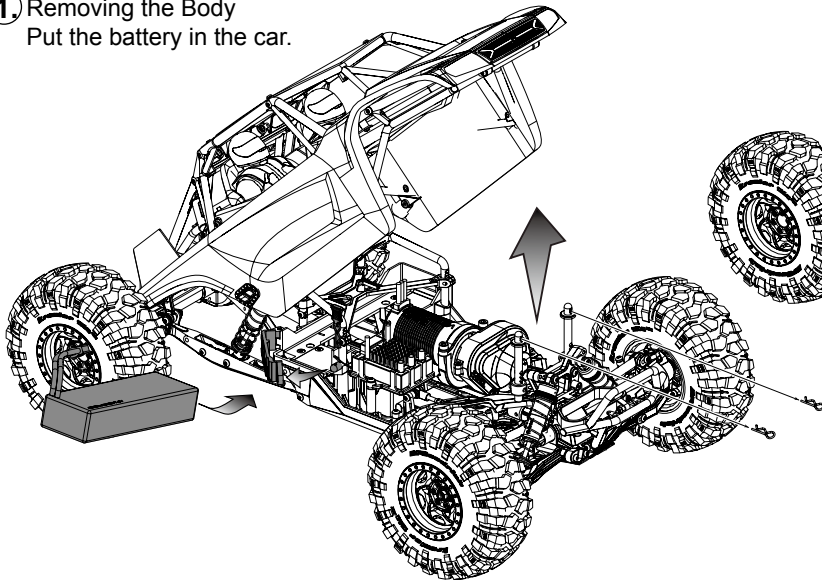
Suivre les directions de fabricant pour le chargeur votre a acheté convenablement pour charger vos piles.

Do not use a Nickel Cadmium or Nickel Metal Hydride battery charger to charge LiPo batteries. Damage to the batteries and charger will likely occur resulting in a fire.

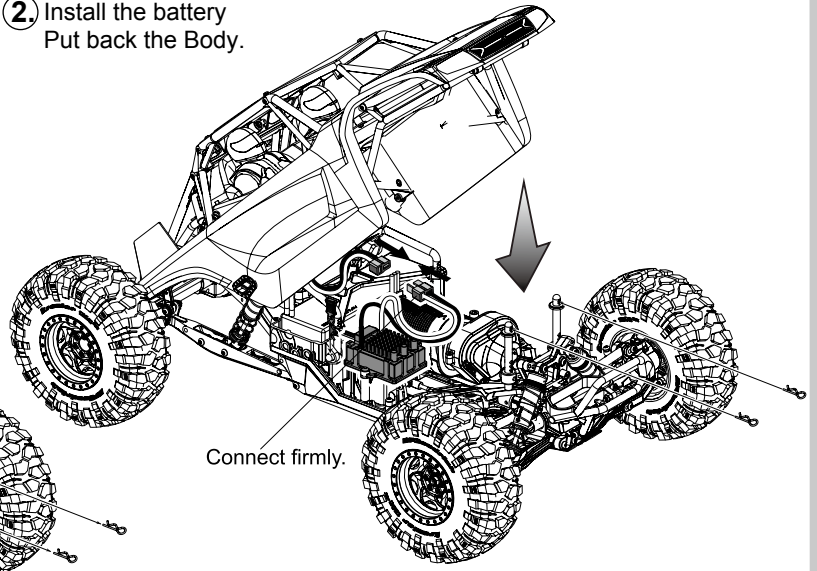
Verwenden Sie keine Nickel-Cadmium-oder Nickel-Metall-Hydrid-Akku Ladegerät LiPo-Akkus aufladen. Schäden an den Batterien und Ladegerät wird wahrscheinlich auftreten, was zu einem Brand.

Ne pas utiliser un chargeur de batterie au nickel-cadmium ou nickel-métal-hydrure pour recharger les batteries LiPo. Les dommages aux batteries et le chargeur se produira probablement de provoquer un incendie.

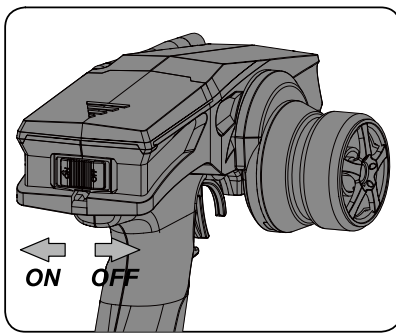
1. Removing the Body
Put the battery in the car.



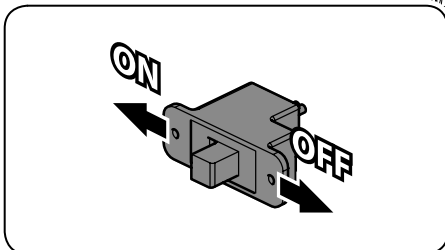
2. Install the battery
Put back the Body.



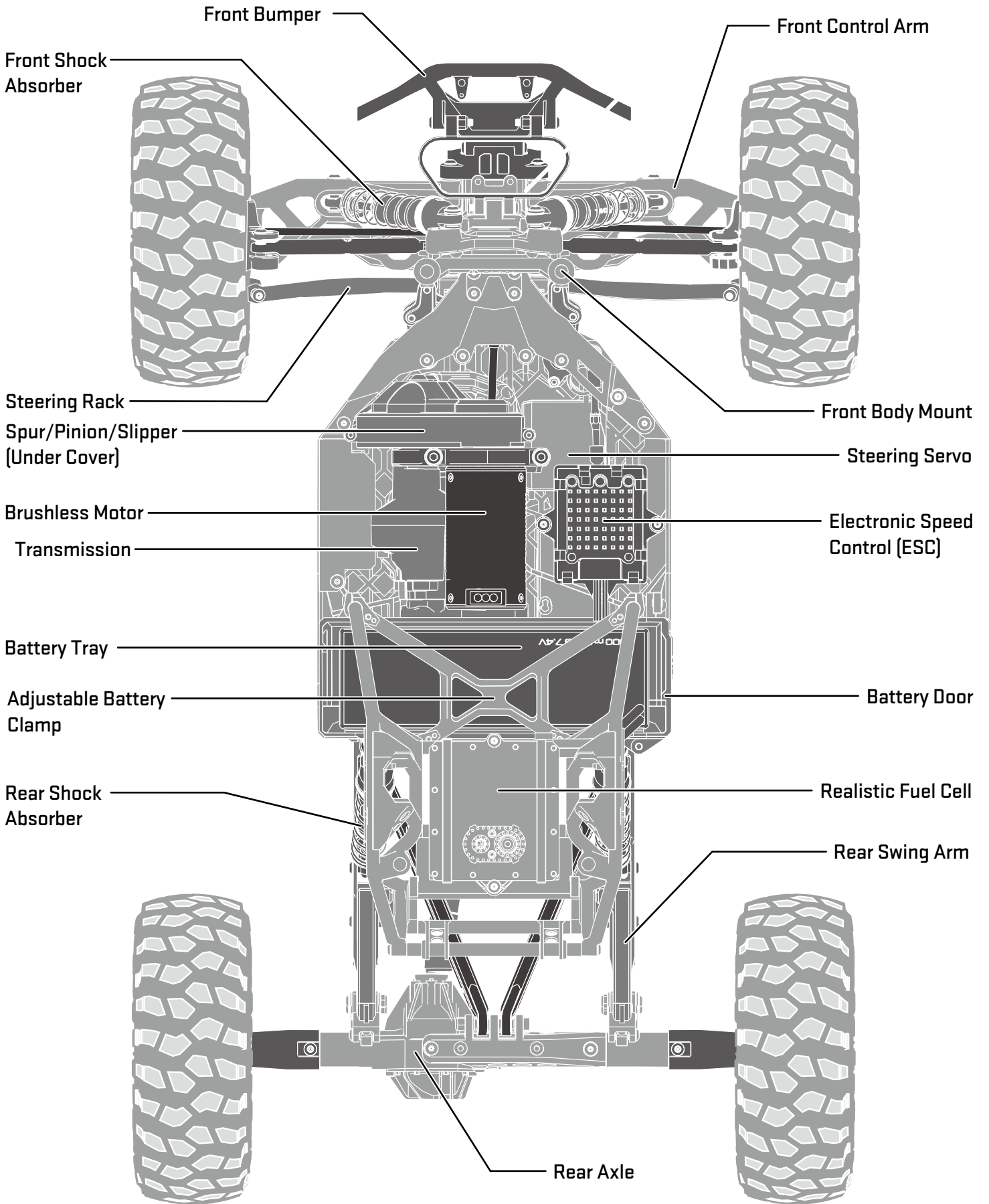
3. Turn on the transmitter.



4. Turn on the electronic speed controller.

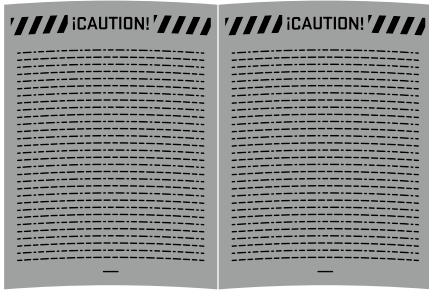


Top View Parts

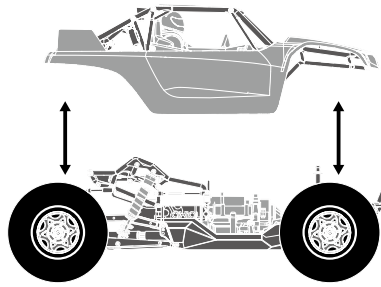


Getting-Started Checklist

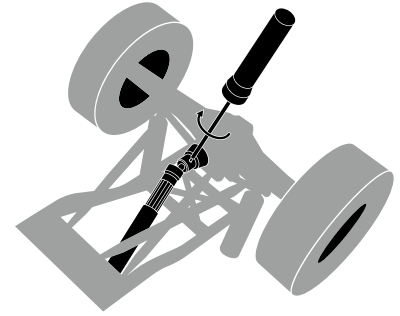
The following checklist is a guide for getting you vehicle running for the first time.



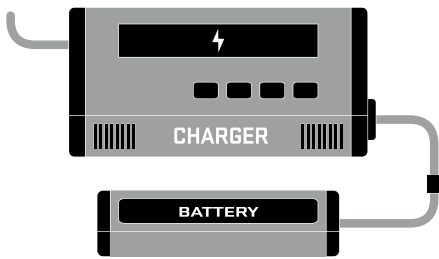
Read 'Cautions' in Manual. (Page 2)



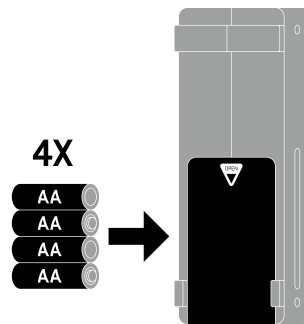
Familiarize yourself with vehicle and its components.



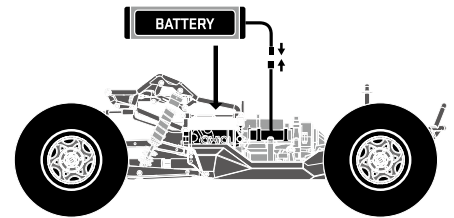
Even though the vehicle is new check drivshaft setscrews and other screws to make sure they are tight from the factory.



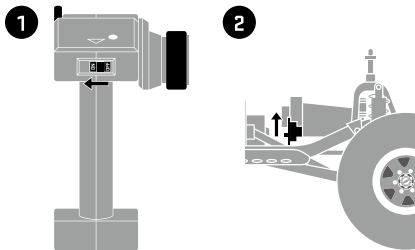
Charge battery pack. (Page 4)



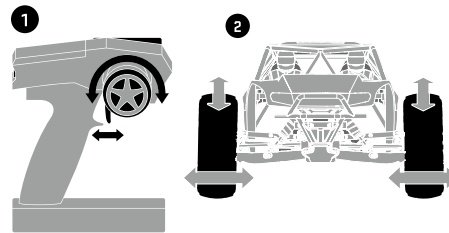
Install 4X AA batteries into Transmitter. (Page 7)



Install battery pack in vehicle. (Page 4)



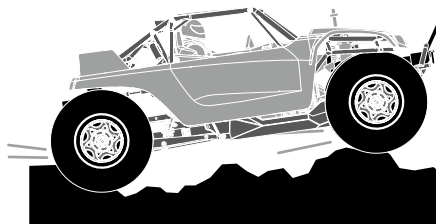
Turn on transmitter FIRST then ESC. (Page 4)



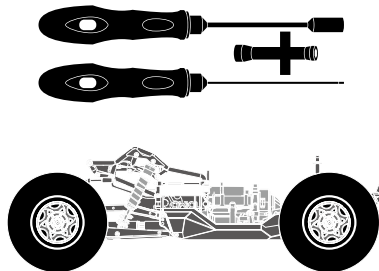
Check to make sure steering and throttle operation work correctly. (Page 7)



Range check radio system. (Next Page)



Drive vehicle, challenge yourself and have fun!



Maintain vehicle. (Next Page)

Range-Checking Your Radio System

The radio system should be checked before operating the vehicle to ensure it's operating properly and has adequate range.



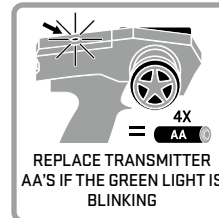
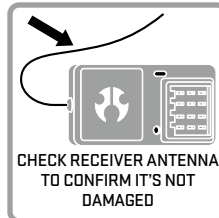
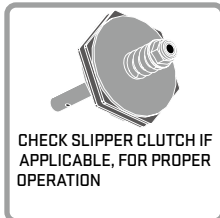
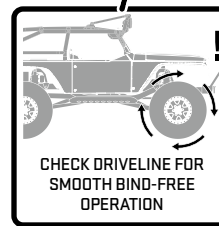
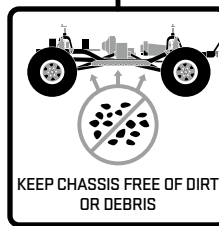
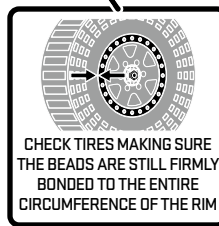
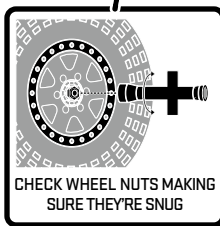
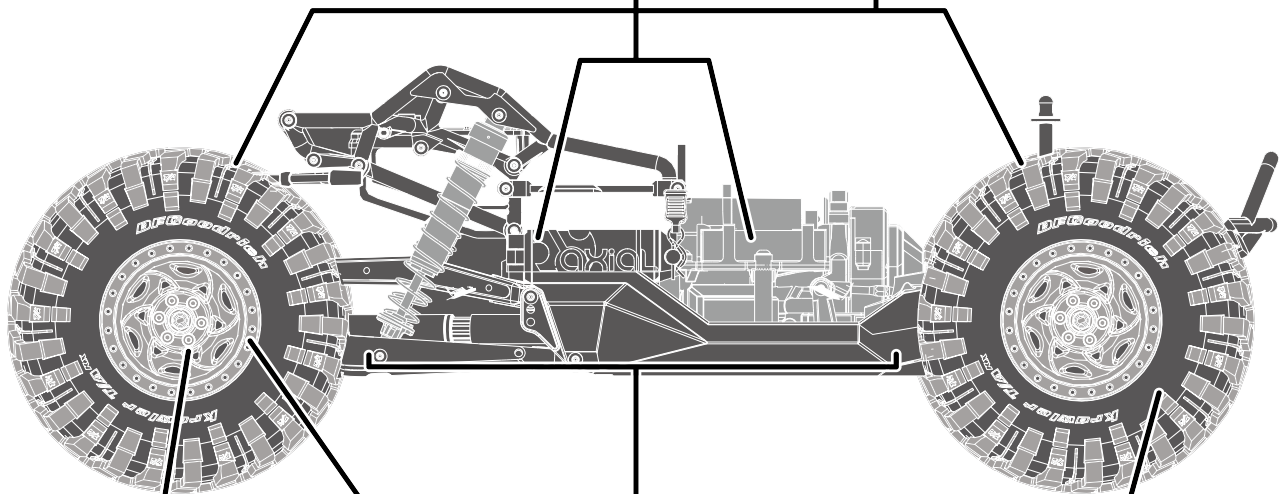
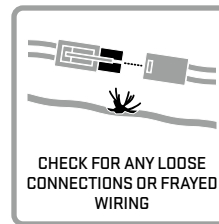
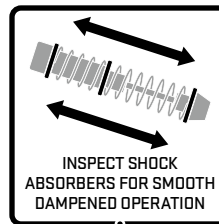
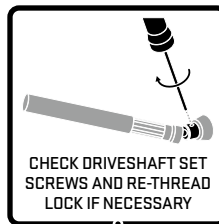
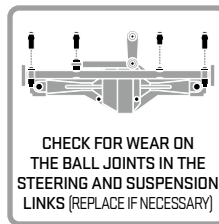
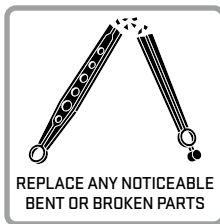
1. Turn on the transmitter first and then the vehicle.
2. Have a friend hold the vehicle while keeping hands and loose clothing away from moving parts.
3. Walk away until you are at the farthest distance you plan to operate the vehicle.
4. Steer the vehicle back and forth and throttle both forward and reverse making sure there is no erratic behavior.
5. If any erratic behavior is exhibited do not operate the vehicle, call customer service for further assistance.



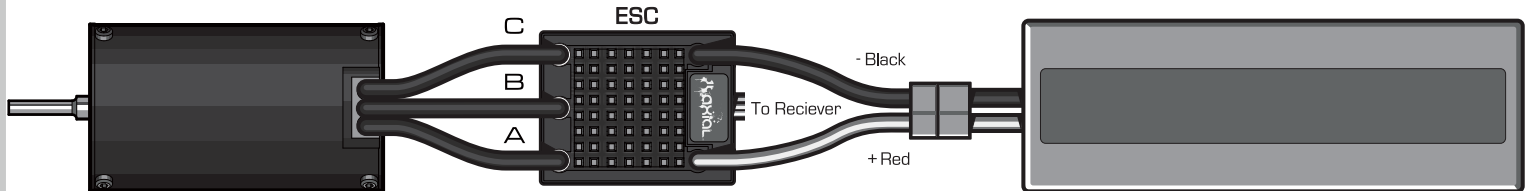
RANGE-CHECKING FOR DISTANCE

Maintaining Your Vehicle

Just like a full size car or truck your RC vehicle must undergo periodic maintenance in order to ensure peak running performance. Preventative maintenance will also help avoid needless breakages which could result in costly repairs. Below are some suggestions to properly maintain your vehicle.



AE-3 Vanguard Forward/Reverse Brushless ESC Instruction



Recommended motor: AX31047

Brushless ESC and Motor Setup:

- Mount the ESC in an area that is well ventilated and isolated from vibration and shock.
- Connect the ESC wires to the motor: Generally A to A, B to B, and C to C.
- Plug the receiver wire into the throttle channel on the receiver.
- Before plugging the battery into the ESC, make sure your transmitter is on and the throttle trim is set to zero.
- Plug in the battery to the ESC with the ESC switch in the OFF position.
- Apply full throttle on the transmitter.
- Turn on the ESC switch while applying full throttle.
- The ESC will emit a series of beeps with the red LED.
- Continue applying full throttle until the ESC blinks green and emits a series of beeps.
- Once the ESC blinks red, apply full brake (reverse) on the transmitter.
- The ESC will emit a series of beeps while blinking red to finalize the brake/reverse endpoint.
- Return the throttle to the neutral position and the ESC will emit a series of beeps to finalize the neutral point.
- The ESC will emit a final series of beeps confirming the ESC is ready to operate.
- Apply throttle to make sure the motor is going the direction you wanted.
- To reverse the direction of the motor, switch two of the wires going to the motor.

Notes:

- If the ESC setup does not initialize when holding the full throttle, try switching the throttle reversing switch on the transmitter.
- LiPo Cut-Off is set to "ON" from the factory
- Use the CastleLink (Optional, not included) to access the advanced settings available in the ESC.
- Visit <http://www.castlecreations.com/> for more information on the CastleLink USB Programming Kit.

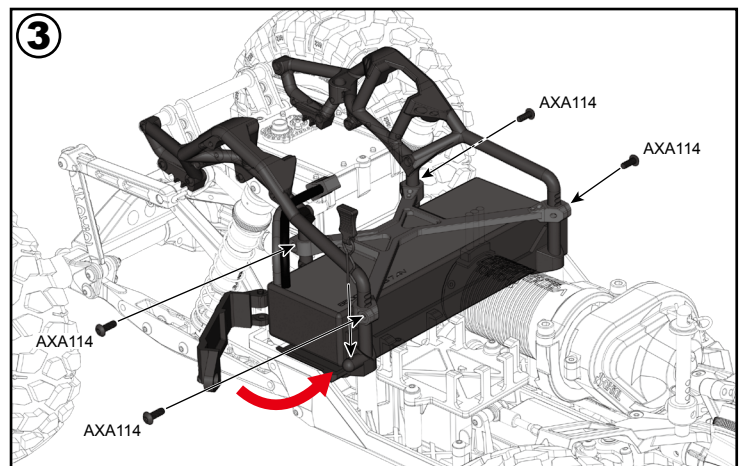
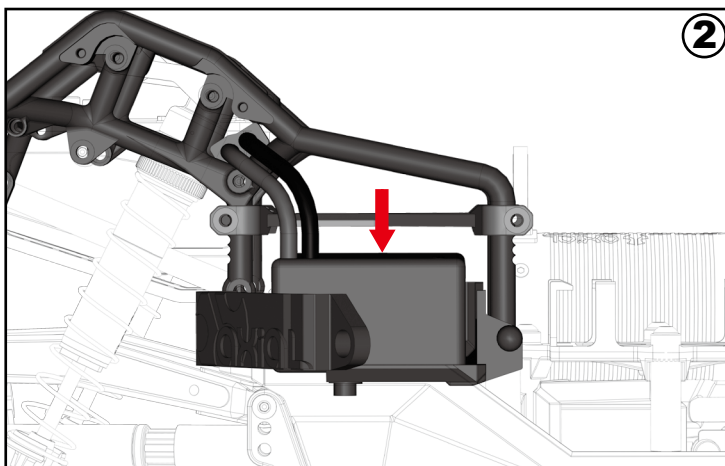
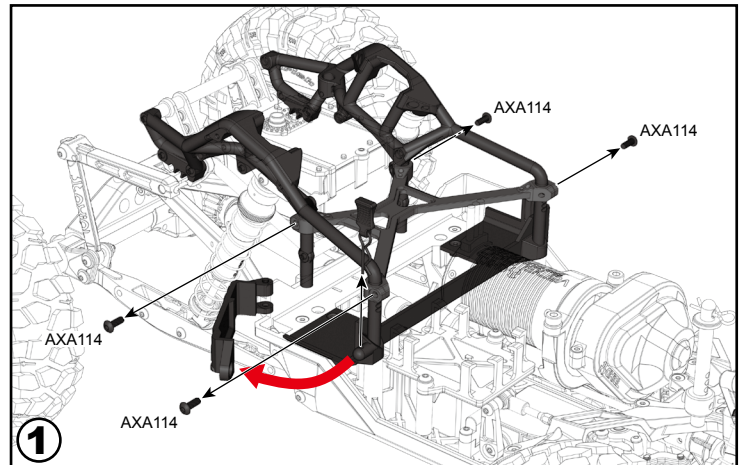
Specifications:

Input voltage:	3S Lipo/8 NiCELL
Size:	1.95inx1.51in
Weight:	62.3grams
On-Resistance FET:	.00055 Ohms (per phase)
BEC Voltage/A:	5.0V 2.0A Peak
PWM Frequency:	12 KHZ

CAUTION **CONNECT THE BATTERY PACK JUST BEFORE DRIVING AND DISCONNECT IT IMMEDIATELY AFTER. ALWAYS MAKE SURE YOU ARE CONNECTING THE ESC TO A PROPER POWER SOURCE THAT HAS THE CORRECT VOLTAGE & POLARITY. INCORRECT VOLTAGES OR REVERSED POLARITY WILL DAMAGE THE ESC. ONCE THE BATTERY PACK IS CONNECTED, HANDLE THE MODEL WITH EXTREME CARE, MAKE SURE YOU ARE CLEAR OF ALL ROTATING PARTS.**

Battery Tray Access and Setup

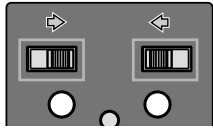
1. Remove clip to open battery access door
2. Slide battery in to check height
3. Remove X4 M3x8mm AXA114 Screw
4. Drop battery clamp down to required battery height.
Snug fit required
5. Reinstall X4 M3x8mm AXA114 Screws



SETUP BEFORE STARTING - EINSTELLUNG VOR DEM START

Steering and Throttle Reverse Switch Servo Reverse Schalter

Servo Factory Settings
Beachten Sie die Pfeile für die Servo Grundeinstellung



Throttle Trim Gastrimmung

To be used for trimming the throttle operation.
Wird verwendet um den Gasnullpunkt einzustellen.

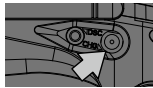


Steering Trim Lenktrimmung

To be used for trimming the steering operation.
Wird verwendet, um den Geradeauslauf einzustellen.

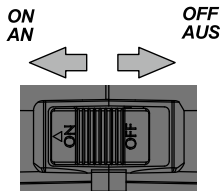


Charger plug in Ladebuchse



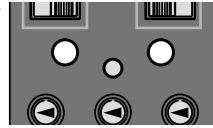
※ Rechargeable AA batteries required.
Charger not included. Nutzen Sie diese Ladebuchse nur mit aufladbaren Batterien.

Power Switch Ein/Aus Schalter



Binding Button Binding Taster

See instructions below
Rückseite



ST-D/R Steering Dual Rate Maximaler Lenkausschlag



To be used to adjust steering servo rate and range.
Einstellung des maximalen Lenkausschlags.

Battery Level Indicator Batterie Statusanzeige

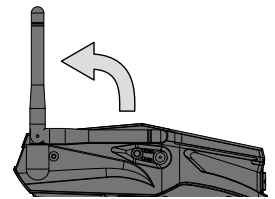
Good Batteries
Volle Batterien

Low Batteries
Fast leere Batterien

When the batteries are low the green indicator light will flash.

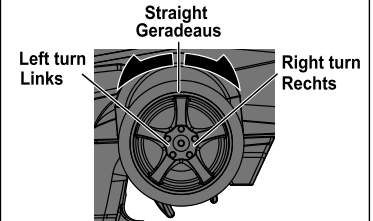
Antenna/Antenne

Flip the antenna up before use



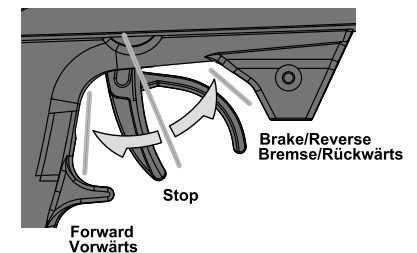
Steering Wheel Lenkrad

To be used for steering operation.
Wird verwendet um das Fahrzeug zu steuern.



Throttle Trigger Gas/Brems Hebel

To be used for throttle operation.
Um das Fahrzeug zu beschleunigen & abzubremsen.



RADIO BINDING INSTRUCTIONS

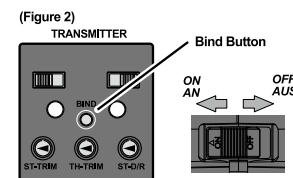
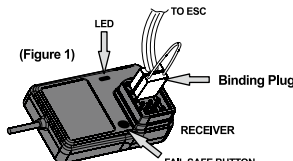
The radio system is bound from the factory so no binding should be necessary. However, if you are matching a new receiver to the transmitter, please follow these steps:

1. Install AA batteries into the transmitter.
2. Insert the binding plug into CH 3 port on the receiver. (Figure 1)
3. Turn on the receiver. You will notice the two LED's are now flashing meaning the receiver is in 'seek' mode and ready to find the transmitter.
4. Press and hold the binding button on the transmitter while turning on the power switch. (Figure 2)
5. The LED's on the receiver should stop flashing indicating it's now bound to the transmitter.
6. Release the binding button on the transmitter and remove the binding plug from the receiver.
7. Turn off the receiver, then turn off the transmitter. Once powered on again, radio binding has been completed.

If the system did not bind please repeat step's 1-7 again or call Axial Customer Service: (877) 64-AXIAL (877-642-9425). NOTE: the AX-3 transmitter will only bind with the AR-3 receiver

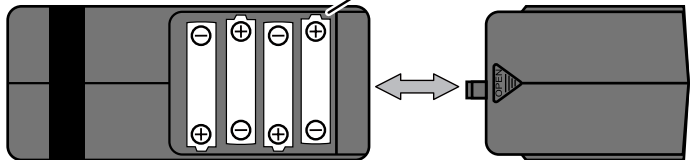
Fail Safe Programming

1. With the radio system bound and powered up, position the throttle trigger to the stop position. For electric applications with drag brake, put the trigger in the stop position. For Nitro applications, position the throttle to apply some amount of brake.
2. With the throttle trigger positioned to desired fail safe position press and hold the button on the receiver until the red LED starts flashing. As soon as it starts flashing release the button; it will then flash for 3 more seconds. Fail safe is now programmed.
3. To test, elevate your vehicle so the tires are off the ground. Apply some throttle and turn the transmitter off. If the throttle returns to neutral within a few seconds, fail safe is programmed correctly. If your vehicle keeps running, fail safe was not programmed correctly; repeat steps 1 and 2.



Battery Cover Batteriefach

4X AA alkaline batteries
4X Piles alcalines AA



Transmitter Battery Installation/Einglegen der Senderbatterien

Open battery cover at bottom of transmitter. Install batteries. Follow the direction of batteries designated in the inside of battery box.
Öffnen Sie das Batteriefach an der Unterseite des Senders. Legen Sie die Batterien entsprechende der angegebenen Polarität ein.

ATTENTION

Do not mix batteries of different ages or types.
Mischen Sie keine Batterien verschiedenen Typs oder Alters.



- NEVER RUN R/C MODEL IN CROWDED AREA OR NEAR SMALL CHILDREN
- PROTECT YOUR SYSTEM FROM MOISTURE
- REMOVE BATTERY FROM R/C MODEL WHEN STORING



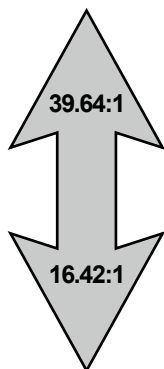
Gear Ratio / Getriebeübersetzung

Use this equation to calculate the final drive ratio.
Final Drive Gear Ratio = (Spur/Pinion)x5.67

Mit dieser Gleichung können Sie die Gesamtübersetzung berechnen.

Gesamtübersetzung = (Spur/Pinion)x5.67

Slower - More Torque
Langsamer - Mehr Kraft



Faster - Less Torque
Schneller - Weniger Kraft

32 Pitch 38T/13T (Stock Gearing AX30392 or HD AX30395)

Pinion	Spur Gear			
	56	60	64	68
11	28.85	30.91	32.97	35.03
12	26.44	28.33	30.22	32.11
13	24.41	26.15	27.90	29.64
14	22.67	24.88	25.90	27.52
15	21.15	22.67	24.18	25.69
16	19.83	21.25	22.67	24.08
17	18.67	20.00	21.33	22.67

32 Pitch 36T/14T (Overdrive HD Gearing AX30401)

Pinion	Spur Gear			
	56	60	64	68
11	25.38	27.19	29.00	30.81
12	23.26	24.92	26.58	28.25
13	21.47	23.01	24.54	26.07
14	19.94	21.36	21.94	22.60
15	19.61	19.94	21.27	22.60
16	17.45	18.69	19.94	21.18
17	16.42	17.59	18.77	19.94

32 Pitch 43T/13T (Overdrive HD Gearing AX30402)

Pinion	Spur Gear			
	56	60	64	68
11	32.64	34.97	37.31	39.64
12	29.92	32.06	34.20	36.33
13	27.62	29.59	31.57	33.54
14	25.65	27.48	29.31	31.14
15	23.94	25.65	27.36	29.07
16	22.44	24.04	25.65	27.25
17	21.12	22.63	24.14	25.65

Warranty Info

AXIAL LIMITED WARRANTY

Your Axial product is warranted to be free of defects in materials and workmanship when new in the factory sealed box. This warranty does not cover damages due to normal wear and tear, users' failure to perform routine maintenance, error of assembly or installation, modifications or addition of aftermarket parts or option parts. This warranty lasts as long as the original purchaser owns the product and is not transferable (verified by dated itemized sales receipt accompanied with product). In the event of a defect under this warranty, Axial will, at our discretion, repair or replace the product, provided our inspection indicates that an original defect exists. Axial provides a 10-day warranty from the date of purchase on electronics (i.e. servo, esc, radio). Axial reserves the right to replace any product which is no longer available with a product of comparable value and function. If Axial determines the repair is not covered under warranty guidelines, there could be a charge applied for the repair and return shipping charges. Note: Purchasing products from unauthorized distributors may void warranty and prevent support and service.

INTERNATIONAL CUSTOMER WARRANTY

Please return product to the dealer where the purchase was made. If your Axial product purchase was made through an on-line retailer, any warranty issues must be taken care of by that retailer. Axial assumes no responsibility for Axial products sold internationally by on-line retailers.

REPAIR

For warranty repair, please contact Axial Customer Service at (877) 64-AXIAL (877-642-9425).

HOURS AVAILABLE:

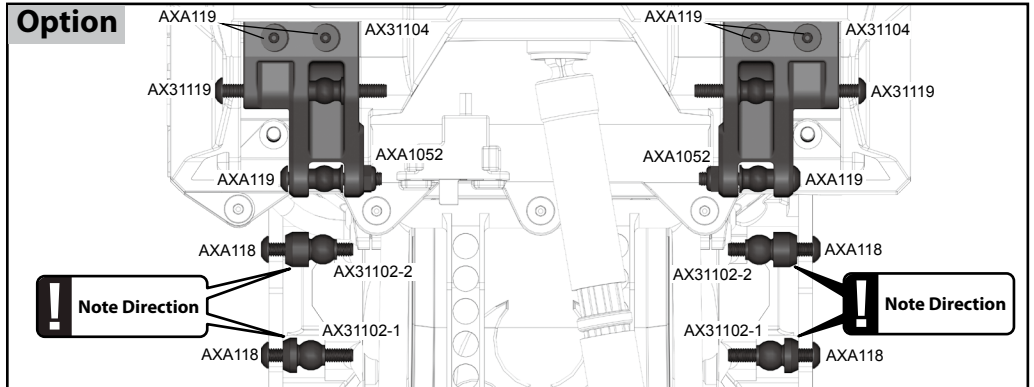
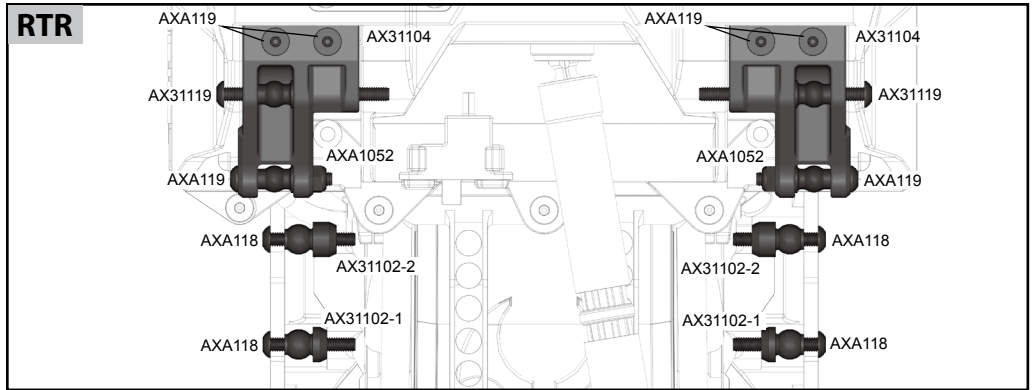
8:00 am - 5:00 pm Monday through Friday, Central Time.

Rear Suspension Tuning Upper Link Adjustments

•AX31104 Mounts can be installed on either side of the AX31103 Chassis Tub

•Swapping the AX31104 mounts will provide a suspension more suited to low speed technical terrain. This also requires flipping the upper shock bushings. The RTR stock setup is more suited for high speed stability.

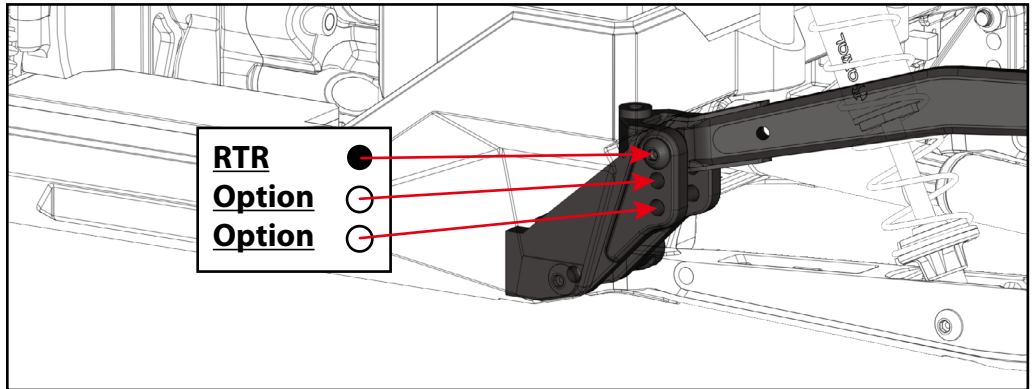
•Upper Shock bushings rotated to relocate shocks and line up with AX31109 Lower Links.



•Moving the upper links at the chassis will change the anti-squat characteristics of the Yeti under power.

•RTR Stock: Upper hole, more Anti-Squat for more rear traction under power.

•Optional lower holes, less Anti-Squat for less rear traction under power.

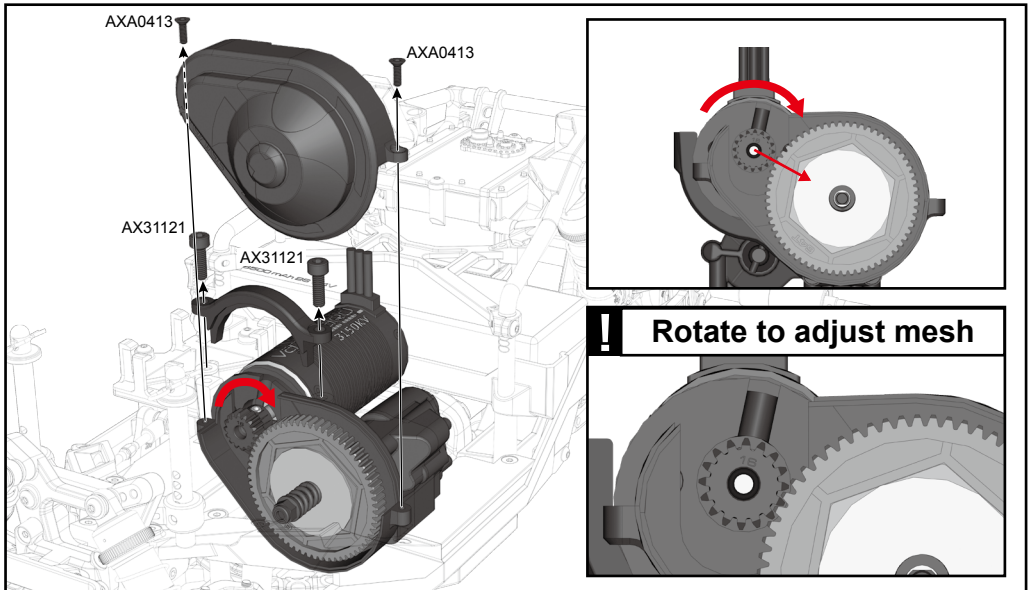


Gear Mesh Adjustment

•Remove X2 M2.6x8mm AXA0413 Flatheads from AX31107 Spur Cover to gain access to spur and pinion

•Loosen X2 M4x12mm AX31121 Capheads from AX31106 Motor Mount Clamp

•Rotate the motor and motor mount assembly to fine tune gear mesh



Problem
Problem
Problème

Cause
Grund
Cause

Remedy
Lösung
Remède

Does not move
Das Auto fährt nicht
Le véhicule ne bouge pas

Batteries are not installed properly in the transmitter.
Die Batterien sitzen nicht korrekt im Sender.
Les piles ne sont pas placées correctement dans l'émetteur.

Make sure batteries are properly installed.
Legen Sie die Batterien korrekt ein.
Positionnez correctement les piles dans l'émetteur.

Weak or no battery in model.
Leerer oder kein Akku im Auto.
Batterie faible ou non installée

Install charged battery.
Einbauen eines geladenen Akkus.
Mettez en place une batterie chargée

Damaged motor.
Kaputter Motor.
Moteur endommagé

Replace with new motor.
Austausch durch einen neuen Motor.
Remplacez par un nouveau moteur

Frayed or broken wiring.
Beschädigte Verkabelung.
Câble dénudé ou coupe

Splice and insulate wiring completely.
Erneuern und isolieren Sie die kaputte Stelle.
Faites une épissure et isolez complètement le câble.

ESC is shut down by heat protection circuit.
Notabschaltung des Reglers wegen Überhitzung.
Le système ESC est fermé par le circuit de protection thermique.

Stop driving immediately, do not drive the car until the Speed Controller cools down.
Fahren Sie nicht weiter. Warten Sie bis der Fahrten regler abgekühlt ist.
Arrêtez immédiatement de conduire, ne pilotez pas la voiture tant que le contrôleur de vitesse n'a pas refroidi.

No Control.
Keine Kontrolle über das Auto
Pas de contrôle

Improper antenna on transmitter or model.
Zu kurze Antenne am Sender oder Auto.
Antenne inadéquate sur l'émetteur ou le véhicule

Install charged or fresh batteries.
Einbauen voller Batterien.
Mettez des batteries rechargées ou neuves.

Weak or no batteries in transmitter or model.
Leere oder keine Batterien im Sender oder Auto.
Batterie faible ou absente dans l'émetteur ou le véhicule.

Fully extend antenna.
Ziehen Sie die Antenne vollständig aus.
Dépliez complètement l'antenne.

Neutral position or trim is incorrect.
Neutralposition oder Trimmung sind verstellt.
La position neutre est incorrecte ou le trim n'est pas réglé.

Adjust the steering trim.
Stellen Sie die Lenkungstrimmung neu ein.
Réglez le trim de direction.

Are the receiver and battery connections properly connected?
Sind der Empfänger und die Batterieverbindungen ordentlich verbunden?
Son conectadas apropiadamente las conexiones del receptor y la batería?

Check receiver and battery connections.
Prüfen Sie Empfänger und Batterieverbindungen.
Compruebe conexiones de batería y receptor.

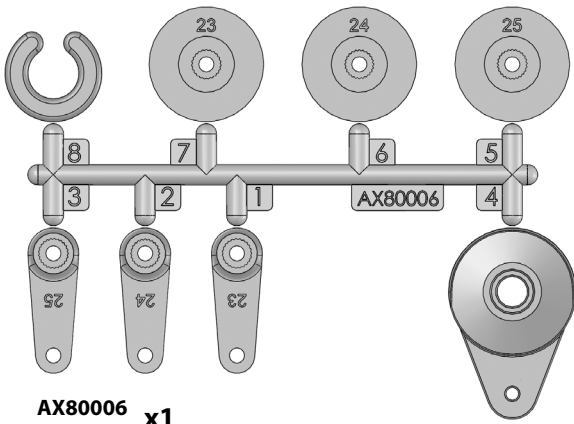
Steering and Throttle Function Reversed.
Lenkung und Gas funktionieren genau verkehrt herum.
Direction et accélération inverses.

Servo reverse switch is in wrong position.
Servorichtungs-Schalter ist in der falschen Position.
L'interrupteur de marche arrière du servo est dans la mauvaise position

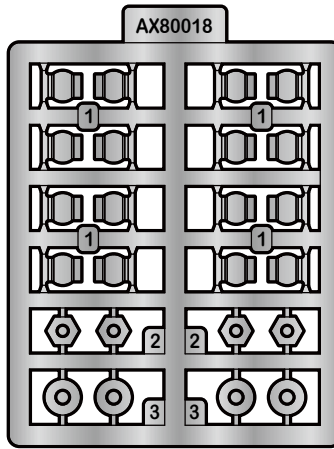
Set to correct position.
Satz, Position zu korrigieren
Vérifiez la position correcte

Please check that the wires from ESC to motor are connected properly.
Bitte überprüfen Sie, ob die Kabel vom Regler zum Motor richtig sitzen.
Veuillez vérifier que les fils allant de l'ESC au moteur sont correctement raccordés.

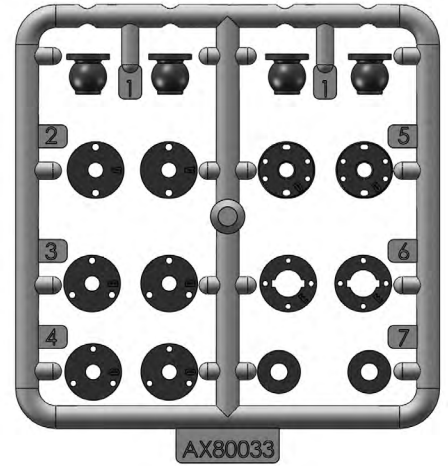
Check to make sure motor and ESC are properly connected.
Kontrolle sich zu vergewissern, dass Motor und ESC ordentlich verbunden sind.
Le contrôle pour assurer que le moteur et ESC est convenablement connecté.



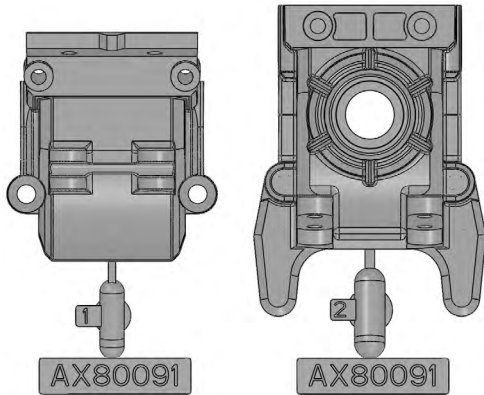
AX80006
Servo Set **x1**



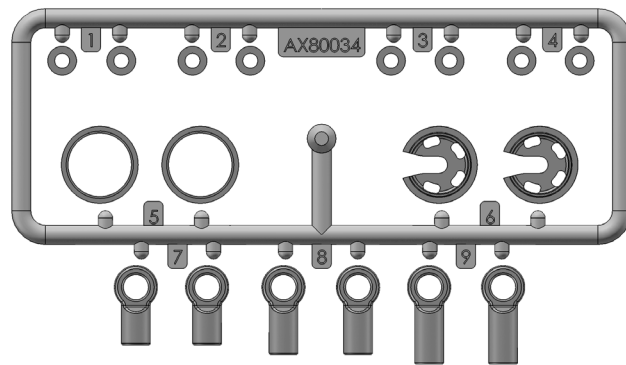
AX80018
Hardware Parts Tree **x2**



AX80033
10m Shock Parts Tree 1 **x2**



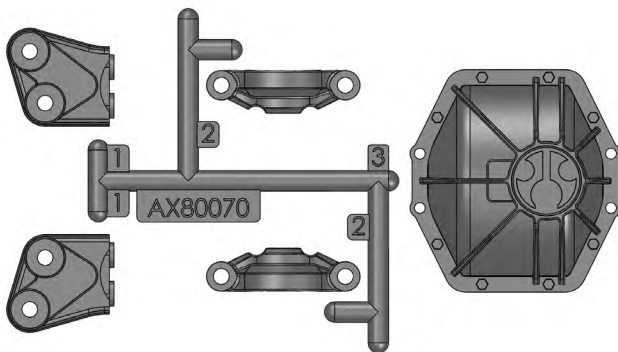
AX80091
EXO Bulkhead **x1**



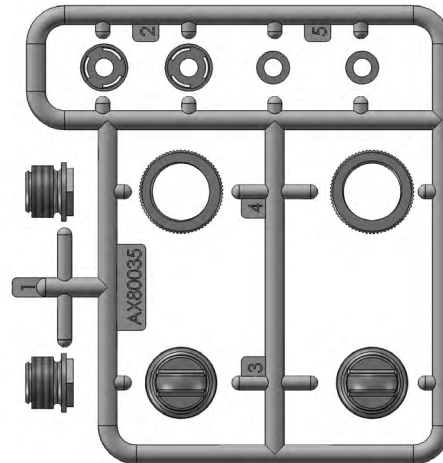
AX80034
10mm Shock Parts Tree 2 **x2**



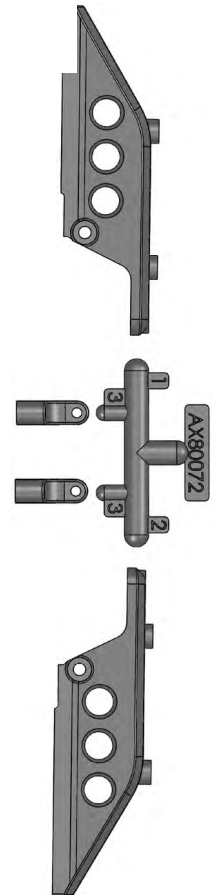
AX80071
AR60 OCP Straight Axle Adapter **x1**



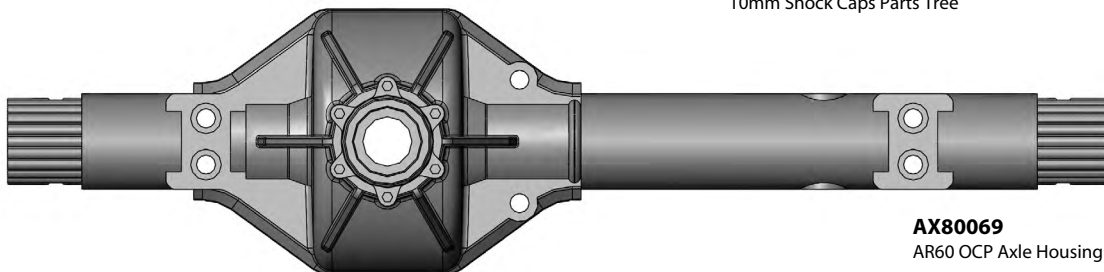
AX80070
AR60 OCP Differential Cover **x1**



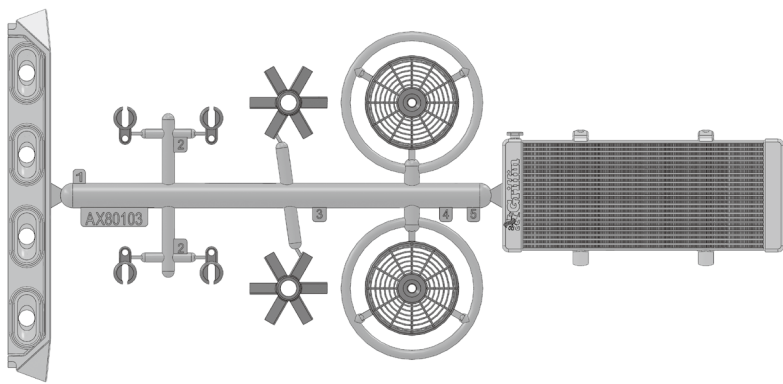
AX80035
10mm Shock Caps Parts Tree **x2**



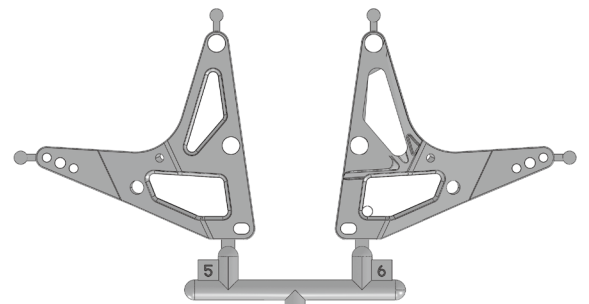
AX90072
AR60 OCP 4-Link Mount **x1**



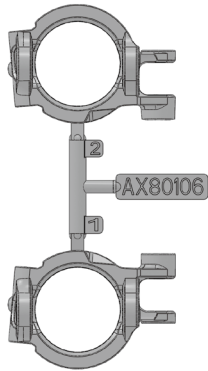
AX80069
AR60 OCP Axle Housing **x1**



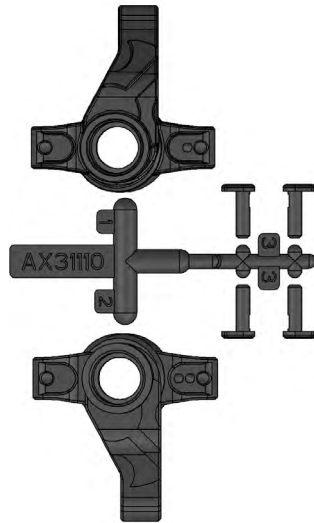
AX80103
EXO Rear Light Bezel and Radiator Set **x1**



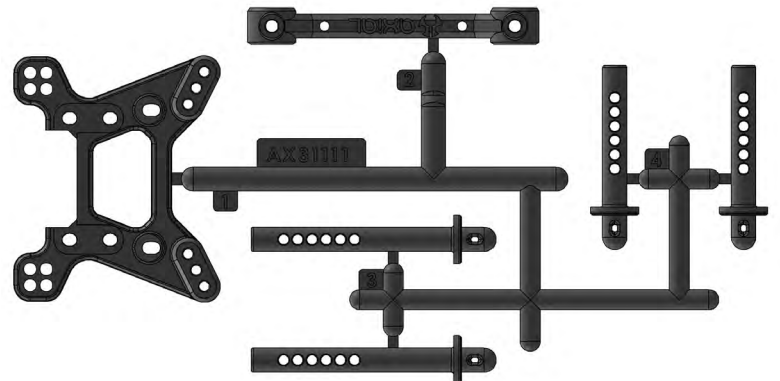
AX80119
EXO RTR Links Parts Tree **x1**



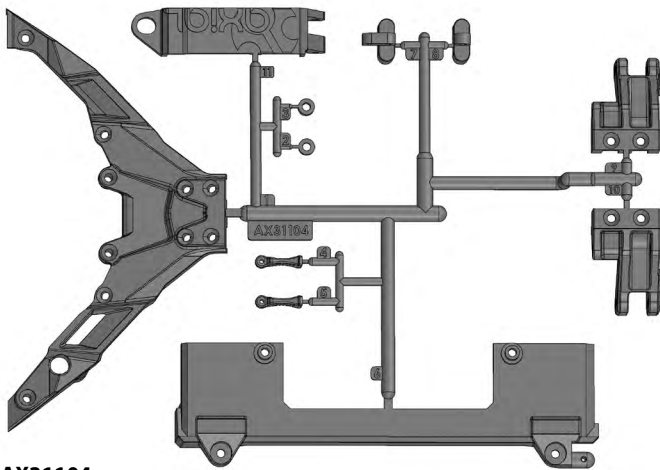
AX80106
EXO Steering Knuckle Carrier Set **x1**



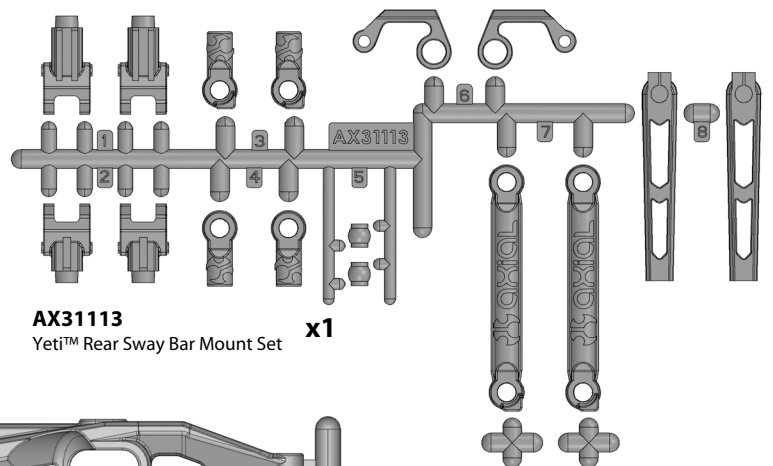
AX31110
Yeti™ Steering Knuckle Set **x1**



AX31111
Yeti™ Shock Tower and Body Post Set **x1**

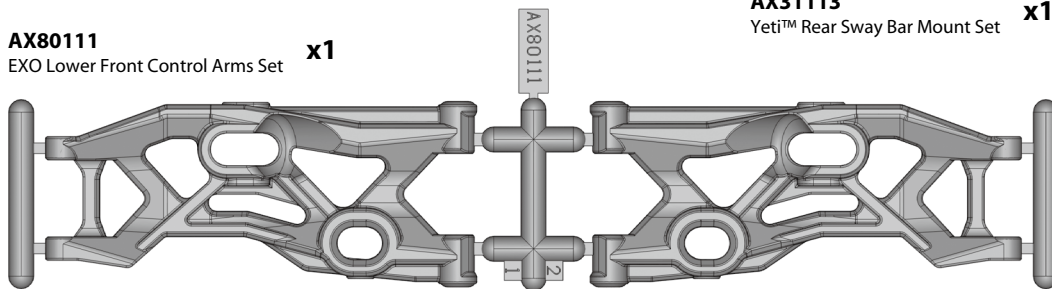


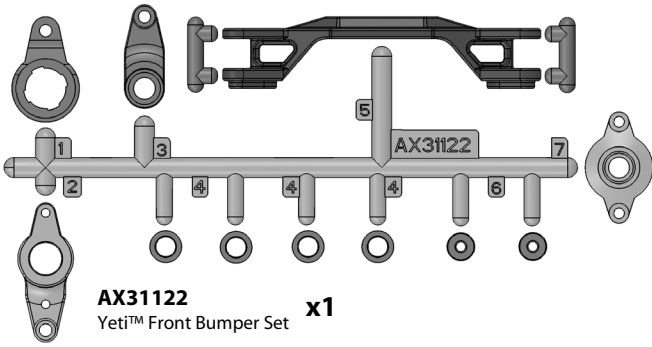
AX31104
Yeti™ Chassis Components **x1**



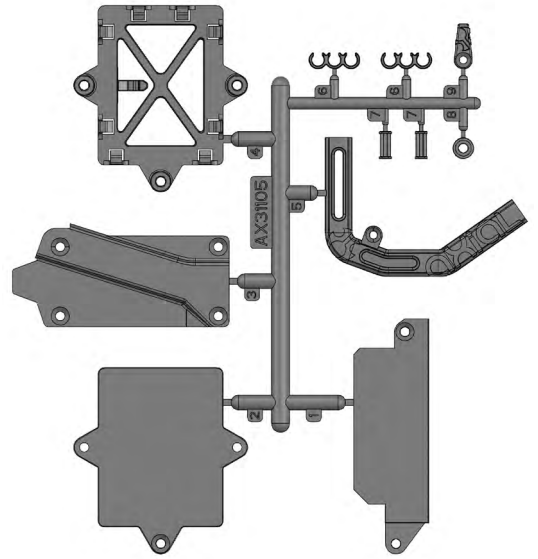
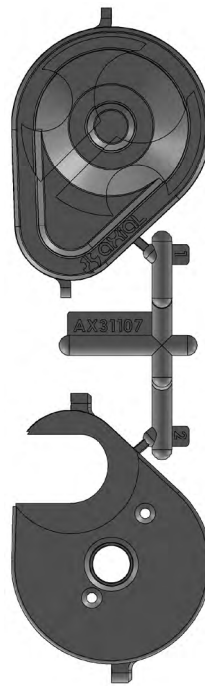
AX31113
Yeti™ Rear Sway Bar Mount Set **x1**

AX80111
EXO Lower Front Control Arms Set **x1**

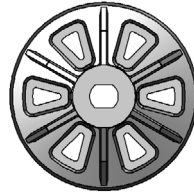
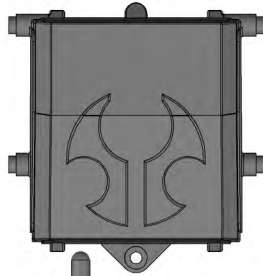




AX31122
Yeti™ Front Bumper Set **x1**



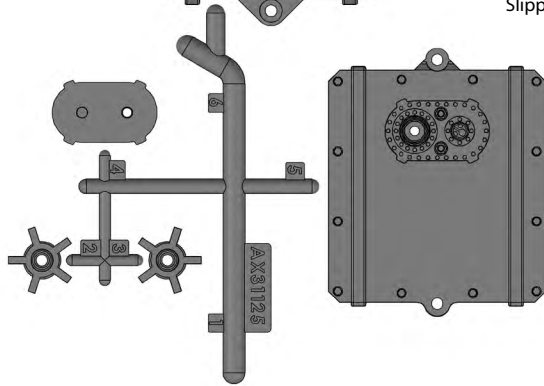
AX31105
Yeti™ Chassis Electronic Components **x1**



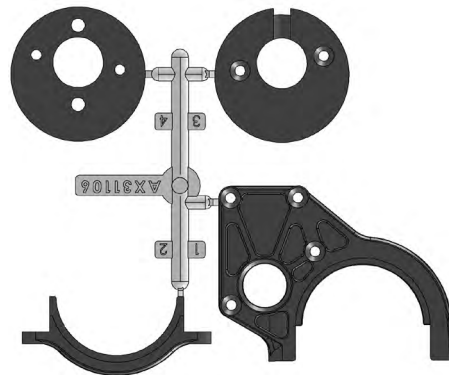
AX31067
Slipper Plate **x1**



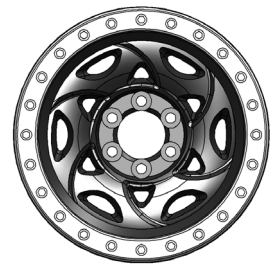
AX31107
2-Speed Hi/Lo Transmission Spur Gear Cover **x1**



AX31125
Yeti™ Fuel Cell **x1**



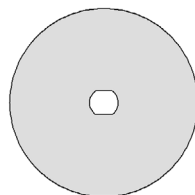
AX31106
2-Speed Hi/Lo Transmission Motor Mount **x1**



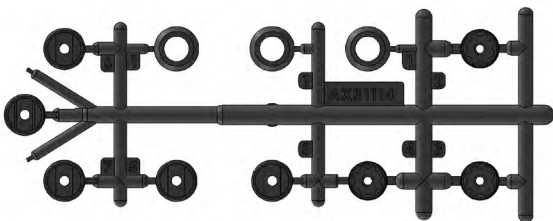
AX31118
2.2 Walker Evans Wheels
IFD™ Wheels - Black **x4**



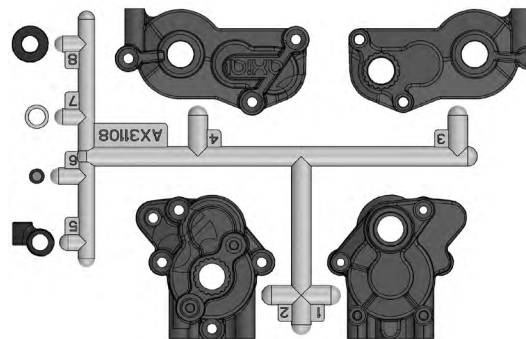
AX80002
Diff Case - Small **x2**



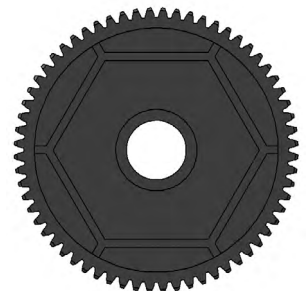
AX31059
Slipper Plate **x2**



AX31114
WB8-HD Driveshaft **x1**



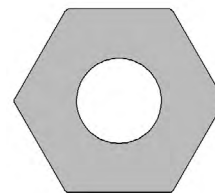
AX31108
2-Speed Hi/Lo Transmission Case **x1**



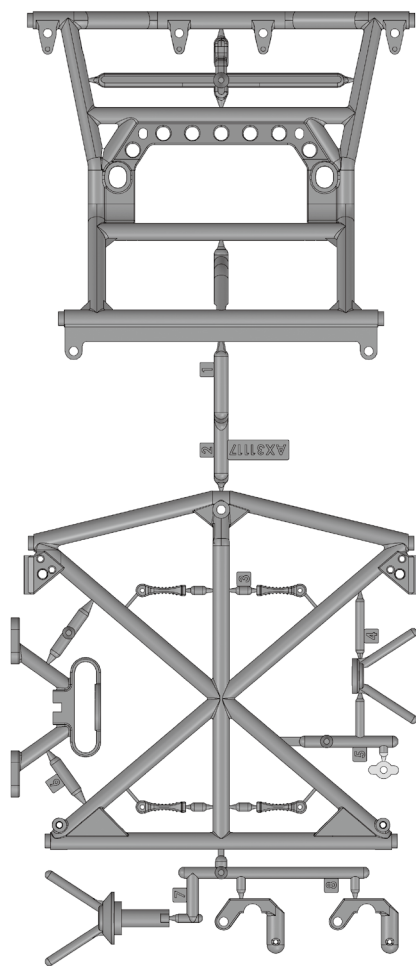
AX31065
Spur Gear 32P 64T **x1**



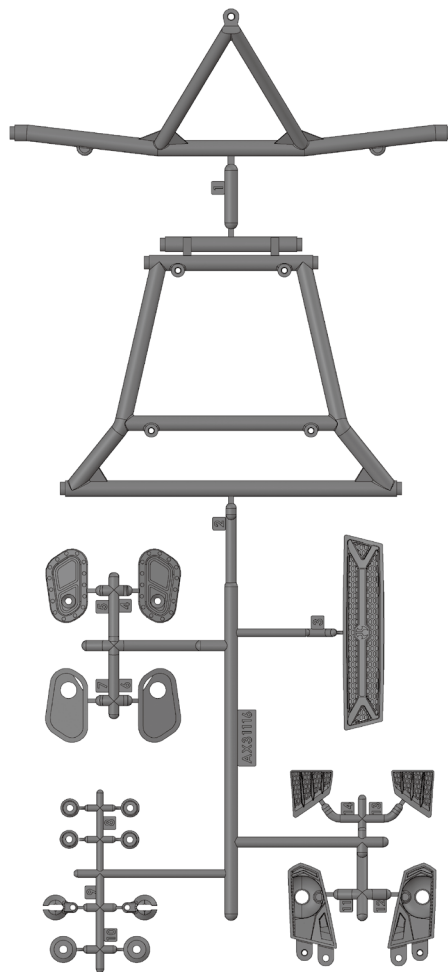
AX31109
Yeti™ Rear 4 Link Set **x1**



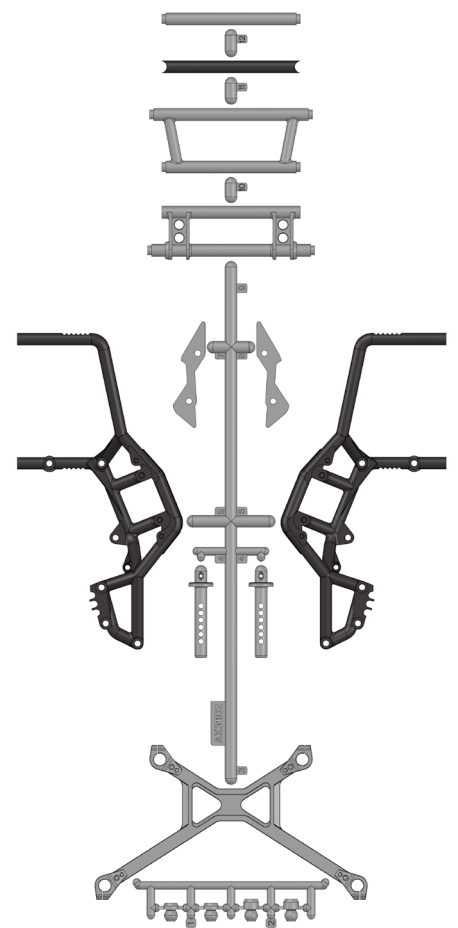
AX31068
Slipper Pad
32.8x15.2x1mm (2pcs) **x2**



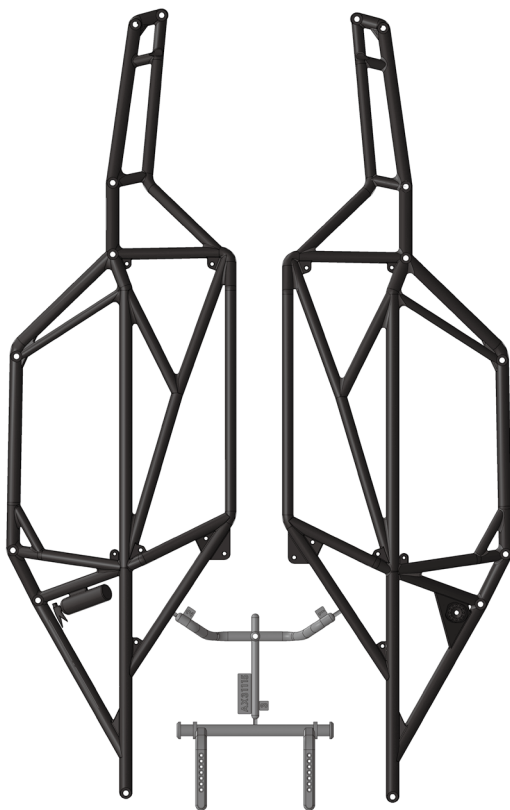
AX31117
Y-380 Cage Top, Rear and Tire Carrier **x1**



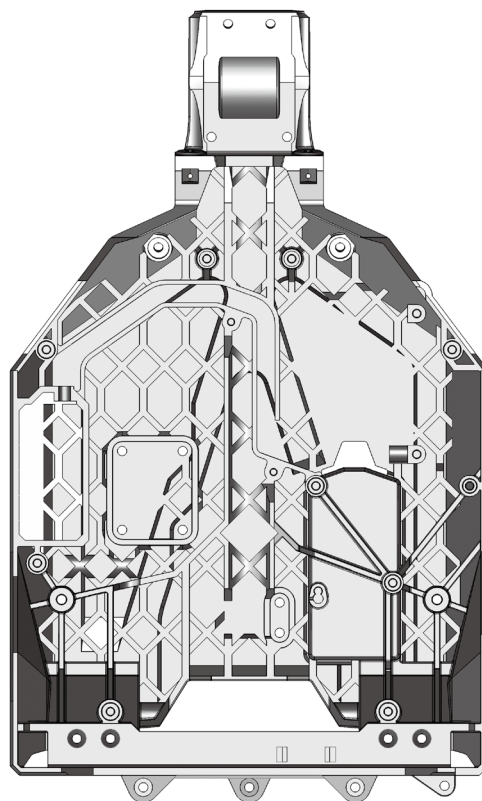
AX31116
Y-380 Cage Front and inserts **x1**



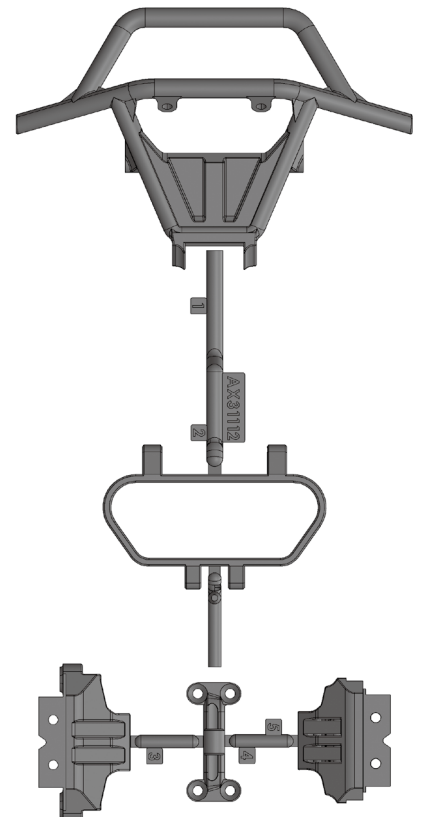
AX31102
Yeti™ Rear Cage Components **x1**



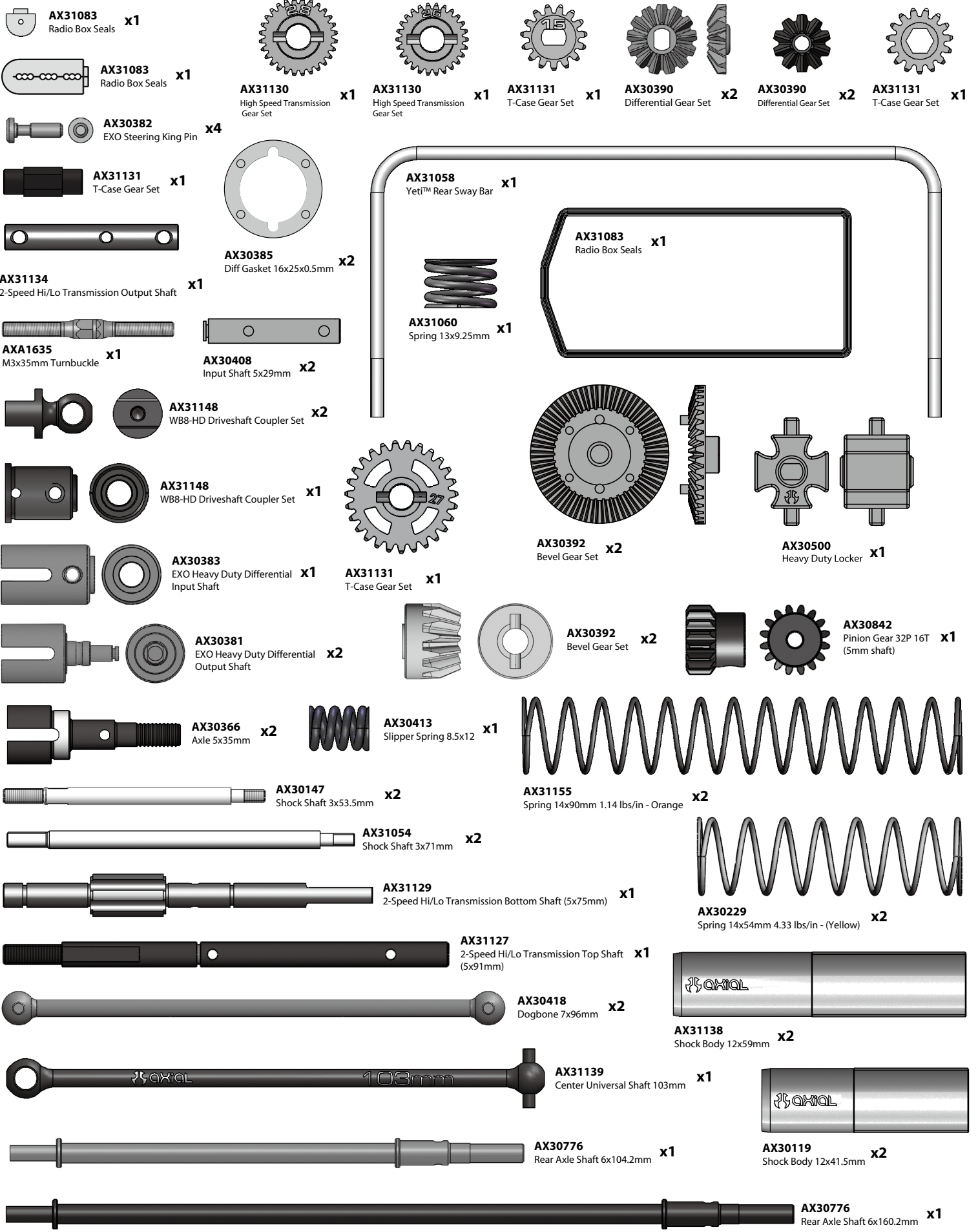
AX31115
Y-380 Cage Sides (Left and Right) **x1**
























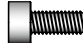


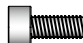


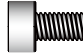



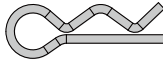























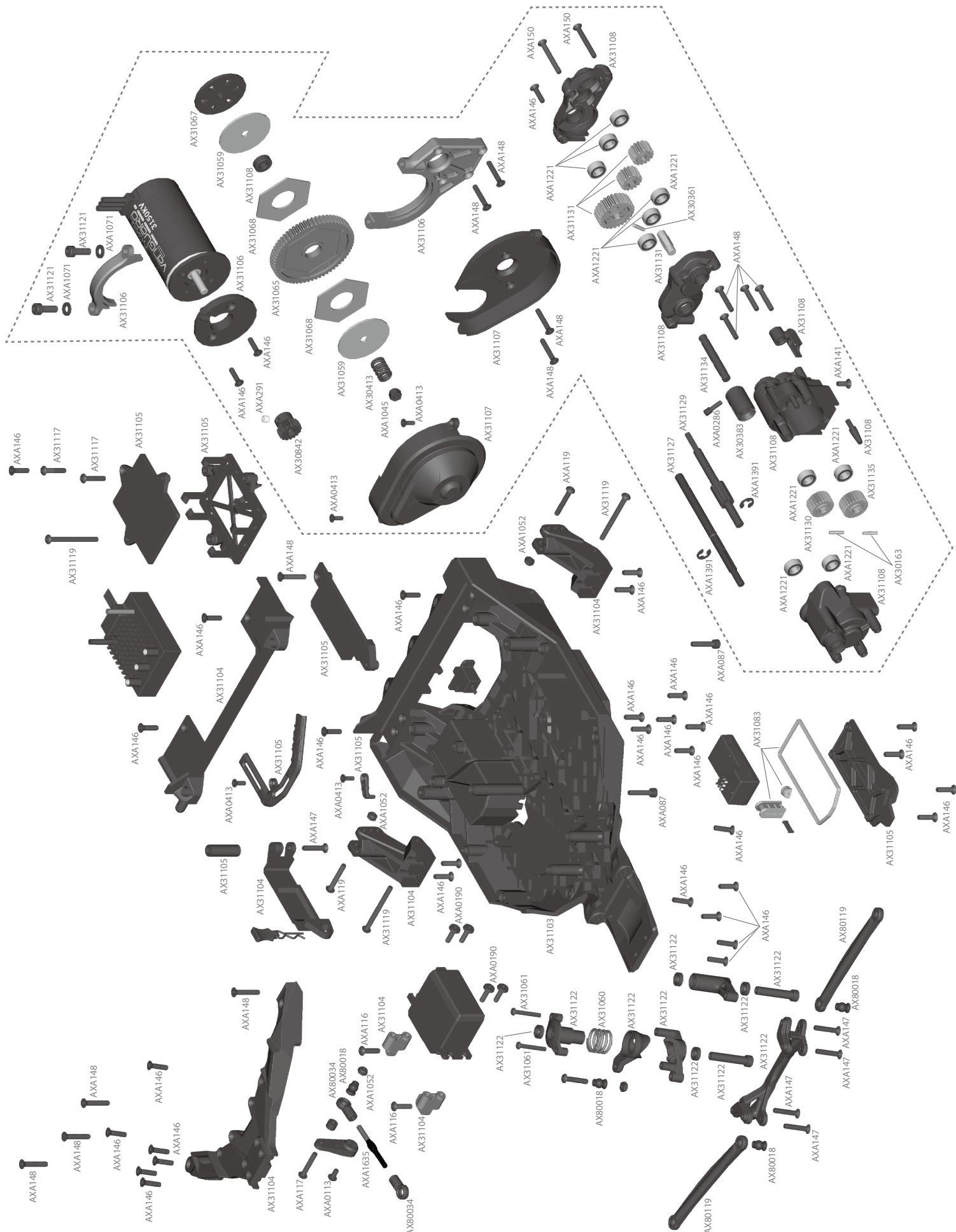
AX31103
Yeti™ Molded Chassis Tub **x1**



AX31112
Yeti™ Front Bumper Set **x1**



	AX31148 4.5x6.5mm Joint Pin	x4		AXA1041 M2.5 Nylon Locking Hex Nut	x4		AXA144 M3x8mm	x4
	AXA1184 O-Ring 7.5x1.5mm	x4		AXA1052 M3 Thin Nylon Locking Hex Nut	x16		AXA146 M3x12mm	x39
	AXA1202 O-Ring 3.5x2mm	x8		AXA1053 M3 Nylon Locking Hex Nut	x7		AXA0147 M3x16mm	x9
	AXA1162 O-Ring 5x1mm	x4		AXA1045 M4 Nylon Lock Nut	x1		AXA148 M3x18mm	x13
	AX30113 Rubber Bump Stop 3.6x7x4	x6		AXA1046 M4 Serrated Nylon Lock Nut	x4		AXA150 M3x25mm	x2
	AX30112 Shock Diaphragm 13x4.5mm	x4		AXA180 M3x3mm Set Screw (Black)	x3		AXA015 M2x10mm	x10
	AXA1069 Washer 2.7x6.7x0.5 mm	x8		AXA0181 M3x4mm Set Screw	x8		AXA0023 M2.6x8mm	x24
	AXA1071 Washer 4x8x0.5mm	x2		AXA291 M4x4mm Set Screw (Black)	x1		AXA087 M3x16mm	x6
	AX30163 Pin 2x10mm	x5		AXA0113 M3x6mm	x5		AXA091 M3x30mm	x1
	AX31028 Pin 2x11mm	x9		AXA114 M3x8mm	x4		AX31121 M4x12mm	x6
	AX30170 M3x22mm	x1		AXA115 M3x10mm	x4		AXA0412 M2.6x6mm	x3
	AXA1059 6mm Body Clip	x8		AXA116 M3x12mm	x8		AXA0109 M3x10mm Oversized Flat Hex Socket	x4
	AXA1393 E2.5 e-clip	x4		AXA117 M3x15mm	x11		AXA0413 M2.6x8mm	x3
	AXA1391 E4 e-clip	x2		AXA118 M3x18mm	x33		AXA464 M3x8mm	x4
	AXA1221 Bearing 5x11x4mm	x18		AXA119 M3x20mm	x4		AX31061 M2.6x18mm	x2
	AXA1230 Bearing 10x15x4mm	x6		AXA121 M3x30mm	x2		AXA0422 M2.6x6mm	x14
				AXA31119 M3x35mm	x3		AXA435 M3x10mm	x26
				AXA0125 M3x35mm Hex Socket Button Head Screw Shaft	x2		AXA436 M3x12mm	x7
				AXA0128 M3x61mm Hex Socket Button Head Screw Shaft	x2		AXA0437 M3x15mm	x12
							AXA0286 M4x12mm	x6



Parts List

Part #	Description	Part #	Description
AX12021 (2pcs)	816874011949 2.2 BFGoodrich Krawler T/A - R35 Compound	AX31111	816874012502 Yeti™ Shock Tower and Body Post Set
AX24206	816874010133 2.4GHz Radio System (2 Channel) (AX-3, AR-3)	AX31112	816874012519 Yeti™ Front Bumper Set
AX24260	816874011055 AE-3 Vanguard ESC	AX31113	816874012526 Yeti™ Rear Sway Bar Mount Set
AX31047	816874012380 Brushless 3150KV Electric Motor	AX31114	816874012533 WB8-HD Driveshaft
AX30112	877493007096 Shock Diaphragm 13x4.5mm (6pcs)	AX31115	816874012694 Y-380 Cage Sides (Left and Right)
AX30113	877493007089 Rubber Bump Stop 3.6x7x4 (6pcs)	AX31116	816874012700 Y-380 Cage Front and inserts
AX30119	816874010454 Aluminum Shock Body 12x41.5mm (2pcs)	AX31117	816874012717 Y-380 Cage Top, Rear and Tire Carrier
AX30147	816874010461 Shock Shaft 3x53.5mm (2pcs)	AX31122	816874012571 Double Shear Steering Rack
AX30163	877493002930 Pin 2.0x10mm (6pcs.)	AX31125	816874012724 Yeti™ Fuel Cell
AX30170	877493002954 Shaft 3 x 22 (2pcs)	AX31118	816874012342 2.2 Walker Evans Wheels - IFD™ Wheels - Black (2pcs)
AX30229	816874010508 Spring 14x54mm 4.33 lbs/in - Firm (Yellow) - (2pcs)	AXA0023	816874011970 M2.6x8mm Cap Head (Black) (10pcs)
AX30366	877493002985 Axle 5x35mm (2pcs.)	AXA0109	816874012038 M3x10mm Oversized Flat Hex Socket (Black) (10pcs)
AX30381	816874011024 EXO Heavy Duty Differential Output Shaft (2pcs)	AXA0113	877493009786 M3x6mm Hex Socket Button Head (Black) (10pcs)
AX30382	816874011048 EXO Steering King Pin (TiN Coated) (2pcs)	AXA0125	816874011697 M3x35mm Hex Socket Button Head Screw Shaft (Black) (6pcs)
AX30383	816874011031 EXO Heavy Duty Differential Input Shaft (2pcs)	AXA0128	816874011581 M3x61mm Hex Socket Button Head Screw Shaft (Black) (6pcs)
AX30385	877493002992 Diff Gasket 16x25x0.5mm (2pcs)	AXA0147	877493008833 M3x16mm Hex Socket Flat Head (Black) (10pcs)
AX30390	877493004644 Differential Gear Set	AXA015	877493003272 M2x10mm Cap Head (Black) (10pcs)
AX30392	877493003005 Bevel Gear Set (38/13)	AXA0181	816874010232 M3x4mm Set Screw (Black) (10pcs)
AX30408	877493009663 Input Shaft 5x29mm (2pcs)	AXA0286	816874010874 Screw Shaft M4x2.5x12mm (6pcs)
AX30413	877493004439 Slipper spring 8.5x12 165 lbs/in - Black (2pcs)	AXA0412	877493008888 M2.6x6mm Hex Socket Tapping Flat Head (Black) (10pcs)
AX30418	816874011093 Dogbone Set 7x96mm (2pcs)	AXA0413	877493009793 M2.6x8mm Hex Socket Tapping Flat Head (Black) (10pcs)
AX30500	877493004682 Heavy Duty Locker (2pcs)	AXA0422	877493009816 M2.6x6mm Hex Socket Tapping Button Head (Black) (10pcs)
AX30776	877493009731 AR60 OCP Rear Axle Set (2pcs)	AXA0437	877493008918 M3x15mm Hex Socket Tapping Button Head (Black) (10pcs)
AX30842	816874011345 Pinion Gear 32P 16T (5mm shaft)	AXA087	877493003326 M3x16mm Cap Head (Black) (10pcs)
AX31028	816874012366 Pin 2.0x11mm (6pcs)	AXA091	877493007539 M3x30mm Cap Head - Black (10pcs)
AX31054	816874012670 Shock Shaft 3x71mm (2pcs)	AXA1041	877493007232 M2.5 Nylon Locking Hex Nut - Silver (10pcs)
AX31058	816874012755 Yeti™ Rear Sway Bar (3pcs) (Soft, Medium, Firm)	AXA1045	877493003364 M4 Nylon Lock Nut (Black) (10pcs)
AX31059	816874012762 Slipper Plate Washer 33x1mm (2pcs)	AXA1046	816874011994 M4 Serrated Nylon Lock Nut (Blue) (4pcs)
AX31060	816874012793 Servo Saver Spring 13x9.25mm 104 lbs/in (2pcs)	AXA1052	877493008789 M3 Thin Nylon Locking Hex Nut (Black)
AX31065	816874012786 Spur Gear 32P 64T	AXA1053	877493003388 M3 Nylon Locking Hex Nut (Black) (10pcs)
AX31067	816874012304 Slipper Plate (2pcs)	AXA1059	877493003395 6mm Body clip (Black) (10pcs)
AX31068	816874012373 Slipper Pad 32.8x15.2x1mm (2pcs)	AXA1069	877493007225 Washer 2.7x6.7x0.5 (10pcs)
AX31083	816874012663 Radio Box Seals	AXA1071	877493003418 Washer 4x8x0.5mm (10pcs)
AX31127	816874012588 2-Speed Hi/Lo Transmission Top Shaft (5x91mm)	AXA114	877493003449 M3x8mm Hex Socket Button Head (Black) (10pcs)
AX31129	816874012595 2-Speed Hi/Lo Transmission Bottom Shaft (5x75mm)	AXA115	877493007942 M3x10mm Hex Socket Button Head (Black) (10pcs)
AX31130	816874012601 High Speed Transmission Gear Set (48P 26T, 48P 28T)	AXA116	877493007522 M3x12mm Hex Socket Button Head - Black (10pcs)
AX31131	816874012618 T-Case Gear Set (32P 15T, 32P 15T, 32P 27T)	AXA1162	877493004774 O-Ring 5x1mm (10pcs)
AX31134	816874012625 2-Speed Hi/Lo Transmission Output Shaft (5x35mm)	AXA117	877493007935 M3x15mm Hex Socket Button Head (Black) (10pcs)
AX31138	816874012632 Aluminum Shock Body 12x59mm (2pcs)	AXA1179	877493006723 O-Ring 2.5x1.5mm (10pcs)
AX31139	816874012649 Center Driveline Universal Shaft (103mm)	AXA118	877493007515 M3x18mm Hex Socket Button Head - Black (10pcs)
AX31148	816874012656 WB8-HD Driveshaft Coupler Set	AXA1184	877493006730 O-Ring 7.5x1.5mm (S8) - (10pcs)
AX31155	816874012830 Spring 14x90mm 1.14 lbs/in - Orange (2pcs)	AXA119	877493008116 M3x20mm Hex Socket Button Head (Black) (10pcs)
AX31140	816874012731 Y-380 1/10th Scale Body - .040" (Clear)	AXA1202	877493007201 O-Ring 3.5x2mm (10pcs)
AX31141	816874012748 Y-380 1/10th Scale Interior - .040" (Clear)	AXA121	877493008307 M3x30mm Hex Socket Button Head (Black) (10pcs)
AX80002	877493003135 Diff Case - Small	AXA1221	877493003494 Bearing 5x11x4mm (2pcs)
AX80006	877493003173 Servo Set	AXA1230	877493003517 Bearing 10x15x4mm
AX80018	877493004729 Hardware Parts Tree	AXA1391	877493008826 E4 e-clip (10pcs)
AX80033	877493007058 10mm Shock Parts Tree 1	AXA1393	877493003593 E2.5 e-clip (10pcs)
AX80034	877493007041 10mm Shock Parts Tree 2	AXA144	877493008093 M3x8mm Hex Socket Flat Head (Black) (10pcs)
AX80035	877493007034 10mm Shock Caps Parts Tree	AXA146	877493006310 M3x12mm Hex Socket Flat Head - Black (10pcs)
AX80069	877493009847 AR60 OCP Axle Housing	AXA148	877493009557 M3x18mm Hex Socket Flat Head (Black) (10pcs)
AX80070	877493009854 AR60 OCP Differential Cover	AXA150	877493003371 M3x25mm Hex Socket Flat Head (Black) (10pcs)
AX80071	877493009861 AR60 OCP Straight Axle Adapter	AXA1635	816874010263 M3x35mm Turnbuckle (2pcs)
AX80072	877493009878 AR60 OCP 4-Link Mount	AXA180	877493003616 M3x3mm Set Screw (Black) (10pcs)
AX80091	816874010614 EXO Bulkhead	AXA291	877493004187 M4x4mm Set Screw (Black) (6pcs.)
AX80103	816874010713 EXO Rear Light Bezel and Radiator Set	AXA435	877493008062 M3x10mm Hex Socket Tapping Button Head (Black) (10pcs)
AX80106	816874010744 EXO Steering Knuckle Carrier Set	AXA436	877493008048 M3x12mm Hex Socket Tapping Button Head (Black) (10pcs)
AX80111	816874010799 EXO Lower Front Control Arms Set	AXA464	877493008185 M3x8mm Hex Socket Tapping Flat Head (Black) (10pcs)
AX80119	816874011680 EXO RTR Links Parts Tree	AX31061	816874012809 M2.6x18mm Hex Socket Tapping Button Head (Black) (10pcs)
AX80128	816874011956 Wheel Hub Adapters (2pcs Narrow, 2pcs Wide)	AX31076	816874013615 O-Ring 3.8x1.9mm (P4) (10pcs)
AX31049	816874012687 Helmet Set (Black)	AX31119	816874012540 M3x35mm Hex Socket Button Head (Black) (10pcs)
AX31102	816874012410 Yeti™ Rear Cage Components	AX31120	816874012557 M3x10mm Hex Socket Flat Head (Black) (10pcs)
AX31103	816874012427 Yeti™ Molded Chassis Tub	AX31121	816874012564 M4x12mm Cap Head (Black) (10pcs)
AX31104	816874012434 Yeti™ Chassis Components		
AX31105	816874012441 Yeti™ Chassis Electronic Components		
AX31106	816874012458 2-Speed Hi/Lo Transmission Motor Mount		
AX31107	816874012465 2-Speed Hi/Lo Transmission Spur Gear Cover		
AX31108	816874012472 2-Speed Hi/Lo Transmission Case		
AX31109	816874012489 Yeti™ Rear 4 Link Set		
AX31110	816874012496 Yeti™ Steering Knuckle Set		

Option Parts

Part #	Description	Part #	Description
AX08135	877493009779 2.2 Raceline Renegade Wheels - 41mm Wide (Black) (2pcs)	AX31171	816874013028 Icon 72-103mm Aluminum Shock Set - 10mm Piston (2pcs)
AX08137	877493009762 2.2 Raceline Renegade Wheels - 41mm Wide (Chrome/Black) (2pcs)	AX31172	816874013035 Icon 67-90mm Aluminum Shock Set - 10mm Piston (2pcs)
AX08141	816874011963 2.2 Trail Ready HD Series Beadlock w/Slim Ring - IFD™ Wheels - Black(2pcs)	AX31173	816874013042 Icon 93-137mm Aluminum Shock Damper Set - 10mm Piston (2pcs)
AX08142	816874012007 2.2 Trail Ready HD Series Beadlock w/Slim Ring - IFD™ Wheels - Chrome/Black(2pcs)	AX31174	816874013059 Y-380 1/10th Scale Body - .040" (Pre-Painted) (White, Blue, Pink)
AX12015	877493009519 2.2 Ripsaw Tires - R35 Compound (2pcs)	AX31182	816874011444 Front Differential Locker
AX12022	816874012052 2.2 Maxxis Trepador Tires - R35 Compound (2pcs)	AX31187	816874013127 Icon Aluminum Shock Body 12x41.5mm (2pcs)
AX24003	816874010096 20T Electric Motor	AX31188	816874013134 Icon Aluminum Shock Body 12x47.5mm (2pcs)
AX24004	877493004866 Axial 27T Electric Motor	AX31189	816874013141 Icon Aluminum Shock Body 12x59mm (2pcs)
AX24007	877493005863 Axial 55T Electric Motor	AX31190	816874013158 Icon Aluminum Shock Body 12x65mm (2pcs)
AX24010	816874011703 Brushless 2900KV Electric Motor	AX31191	816874013165 Icon Shock Cap (12mm) (2pcs)
AX24251	877493006893 Axial NVS - Night Visions System	AX31193	816874013172 Shock Shaft 3x77mm (2pcs)
AX24252	877493006976 Axial Double LED Light String (White LED)	AX80085	816874010638 Universal Mount 5 Bucket Light Bar (Black)
AX24253	877493006969 Axial Double LED Light String (Red LED)	AX80086	816874010621 Light Bar Lenses (Clear) (5pcs)
AX24254	877493006952 Axial Double LED Light String (Orange LED)	AX80115	816874010836 Light Bar Lens Grills (Axial, PIAA, Un-Marked)
AX24255	877493006945 Axial Single LED Light String (White LED)	AXA1076	816874011437 Cap Head Washer M3x10mm (4pcs)
AX24256	877493007010 Axial 5 LED Light String (White LED)	AXA1101	877493003432 Cone Washer 3x6.9x2mm (6pcs)
AX24257	877493007614 Simple LED Controller w/LED lights (4 white and 2 Red)	AXA1104	877493005443 Cone Washer 3x6.9x2mm - Orange (6pcs)
AX24258	816874010065 4 LED Light String (White LED)	AXA1105	877493006020 Cone Washer 3x6.9x2mm - Grey (6pcs)
AX30091	816874010447 67-90mm Shock Set - 10mm Piston (2pcs)	AXA1331	877493003555 Flanged Ball 3x5.8x7mm (6pcs)
AX30092	877493007126 Axial 72-103mm Shock Set - 10mm Piston (2pcs)	AXA1412	877493006037 0.5x6mm Spacer - Grey (6pcs)
AX30110	877493007119 Axial Aluminum 13mm Aluminum Preload Collar (2pcs)	AXA1413	877493006044 1x6mm Spacer - Grey (6pcs)
AX30111	877493007102 Axial Aluminum Shock Cap (2pcs)	AXA1414	877493006051 2x6mm Spacer - Grey (6pcs)
AX30120	877493007072 Axial Aluminum Shock Body 12x47.5mm (2pcs)	AXA1415	877493006068 3x6mm Spacer - Grey (6pcs)
AX30213	877493004200 Spring 14x90mm 1.32 lbs/in - Red (2pcs)	AXA1416	877493006075 4x6mm Spacer - Grey (6pcs)
AX30213	877493004200 Spring 14x90mm 1.32 lbs/in - (Red)	AXA1417	877493006082 5x6mm Spacer - Grey (6pcs)
AX30214	877493004217 Spring 14x90mm 1.71 lbs/in - White (2pcs)	AXA1418	877493006099 6x6mm Spacer - Grey (6pcs)
AX30214	877493004217 Spring 14x90mm 1.71 lbs/in - (White)	AXA1419	877493006105 7x10mm Post - Grey (2pcs)
AX30215	877493003746 Spring 14x90mm 2.25 lbs/in - Medium (Green)	AXA1420	877493006112 7x15mm Post - Grey (2pcs)
AX30216	877493004224 Spring 14x90mm 2.78 lbs/in - Firm (Yellow)	AXA1421	877493006129 7x20mm Post - Grey (2pcs)
AX30217	877493004231 Spring 14x90mm 3.01 lbs/in - Super Firm (Blue)	AXA1422	877493006136 7x25mm Post - Grey (2pcs)
AX30226	816874010478 Spring 14x54mm 2.64 lbs/in - Super Soft (Red) - (2pcs)	AXA1423	877493006143 7x30mm Post - Grey (2pcs)
AX30227	816874010485 Spring 14x54mm 3.4 lbs/in - Soft (White) - (2pcs)	AXA1424	877493006150 7x35mm Post - Grey (2pcs)
AX30228	816874010492 Spring 14x54mm 3.85 lbs/in - Medium (Green) - (2pcs)	AXA1425	877493006167 7x40mm Post - Grey (2pcs)
AX30230	816874010515 Spring 14x54mm 4.95 lbs/in - Super Firm (Blue) - (2pcs)	AXA1426	877493006174 7x45mm Post - Grey (2pcs)
AX30395	877493004071 Heavy Duty Bevel Gear Set - 38T/13T	AXA1427	877493006181 7x50mm Post - Grey (2pcs)
AX30401	877493006860 Heavy Duty Bevel Gear Set - 36T/14T	AXA1428	877493006198 7x55mm Post - Grey (2pcs)
AX30402	877493006891 Heavy Duty Bevel Gear Set - 43T/13T	AXA1429	877493006204 7x60mm Post - Grey (2pcs)
AX30438	877493007188 Machined Shock Piston 10mm - 1.2x2 (4pcs)	AXA1430	877493006211 7x65mm Post - Grey (2pcs)
AX30709	816874011703 Universal 5 Bucket Light Bar Set	AXA1431	877493006228 7x70mm Post - Grey (2pcs)
AX30811	816874011444 EXO Machined Aluminum Front Toe Block F1 (Hard Anodized)		
AX30829	816874010386 AR60 OCP Machined Low-Profile Differential Cover		
AX30830	816874010393 Axial AR60 OCP Machined Link Mounts		
AX30831	816874010287 AR60 OCP™ Front Axle Set (Complete)		
AX30834	816874010409 Aluminum Servo Horn 23T		
AX30835	816874010416 Aluminum Servo Horn 24T		
AX30836	816874010423 Aluminum Servo Horn 25T		
AX30837	816874011550 Pinion Gear 32P 11T (5mm shaft)		
AX30838	816874011567 Pinion Gear 32P 12T (5mm shaft)		
AX30839	816874011314 Pinion Gear 32P 13T (5mm shaft)		
AX30840	816874011550 Pinion Gear 32P 14T (5mm shaft)		
AX30841	816874011567 Pinion Gear 32P 15T (5mm shaft)		
AX30843	816874011352 Pinion Gear 32P 17T (5mm shaft)		
AX31097	816874012243 3 Port High Output LED Controller		
AX31098	816874012250 8 LED Light String (White LED)		
AX31133	816874012861 WB8-HD Driveshaft Set (2pcs)		
AX31135	816874012878 Universal Axle Set 94mm (2pcs)		
AX31136	816874012885 Icon 87-125mm Aluminum Shock Set - 10mm Piston (2pcs)		
AX31152	816874012229 Universal Rigid Light Bar Set		
AX31153	816874012816 Spring 14x90mm 0.90 lbs/in - Black (2pcs)		
AX31154	816874012823 Spring 14x90mm 1.01 lbs/in - Purple (2pcs)		
AX31156	816874012892 Machined Adjustable Motor Mount (Hard Anodized)		
AX31160	816874012922 Steel Spur Gear 32P 68T		
AX31161	816874012939 Steel Spur Gear 32P 64T		
AX31162	816874012946 Steel Spur Gear 32P 60T		
AX31163	816874012953 Steel Spur Gear 32P 56T		
AX31164	816874012960 Machined Slipper Plate (Hard Anodized) (2pcs)		
AX31165	816874012977 Machined 4 Link Mounts (Hard Anodized) (2pcs)		
AX31166	816874012984 Machined Shock Mount Plates (Hard Anodized) (2pcs)		
AX31167	816874012991 Machined Sway Bar Clamp (Hard Anodized) (2pcs)		
AX31169	816874013004 Machined Body Post Mount (Hard Anodized)		
AX31170	816874013011 Machined Front Shock Tower (Hard Anodized)		

DON'T SETTLE FOR *NORMAL BEHAVIOR*

©2013 Axial R/C, Inc. A subsidiary of Hobbico, Inc. All Rights Reserved.



READY TO RUN

**AX10™ DEADBOLT™ 1/10th SCALE
ELECTRIC 4WD #AX90033**

OFFICIALLY LICENSED TECHNICAL PARTNERS:



www.axialracing.com

SCX10

THE OFFICIAL TRUCK OF THE R.E.C.O.N. G6 CHALLENGE™



AWCC 2011



SCX10™ FEATURES:

- > SCALE LOOKS WITH METAL TO MATCH!!!
- > TRUE STEEL C-CHANNEL FRAME
- > SOLID AXLE DESIGN WITH HARDENED STEEL INNER AXLES FRONT AND BACK
- > TRUE RING AND PINTON MECHANICAL DIFFERENTIALS
- > COIL OVER SHOCKS
- > STRONG 4X4 TRANSMISSION / TRANSFER CASE ALL-IN-ONE
- > FULL METAL BEARINGS IN AXLES AND TRANSMISSION - RUBBER SEALED FOR MAXIMUM PROTECTION

If you are looking for adventure, the RECON G6 Challenge™ is where it's at. RECON G6 Challenge™ events deliver excitement and push boundaries; always bringing the elements of what a real adventure should deliver - the unknown!

The coolest thing about participating in the G6 Challenge™ is that it is not about the podium, it's all about the finish. It's about the massive amount of drive time and persevering to survive the unknown-uncatched; and then sharing stories at the end of the day - "How in the heck did you clear TM-24 on the 100-course?" "Did you see that Bender-6X walk-it-!" "Did you get passed by the Swanson Swagger!?"

For adventure G6'ers, the rougher and less traveled, the better! It is the adventure of a lifetime for man and scale machine against the elements. The G6 is about battling the course with your comrades, work as an individual or help your fellow G6'ers to overcome the obstacles; survival is the name of the game!

In an adventure, chasing the unknown requires confidence. Confidence = reliability = SCX10™. The Axial SCX10™ - the official truck of the RECON G6 Challenge™!

Visit our blog and start the adventure!



THE SCX10™ MODEL RANGE:



AX90021
DINGO™
KIT (UNASSEMBLED)



AX90022
TRAIL HONCHO™
RTR (READY-TO-RUN)



AX90027
JEEP WRANGLER
UNLIMITED RUBICON
KIT (UNASSEMBLED)



AX90028
JEEP WRANGLER
UNLIMITED RUBICON
RTR (READY-TO-RUN)

© 2013 Axial R/C Inc. A subsidiary of Hobbico, Inc.
Jeep and the Jeep grille are registered trademarks of Chrysler Group LLC and are used under license. ©2013 Chrysler Group LLC.



www.axialracing.com

OFFICIALLY LICENSED TECHNICAL PARTNERS:



EXPLORE

facebook.com/axialinc | twitter.com/axialrc | youtube.com/axialvideos | flickr.com/axialrc



AX90026-1001

BFGoodrich® Tires and KRAWLER™ T/A® Trademarks are used under License from Michelin.