

KIT VERSION

YETI™

ROCK RACER

1/10th SCALE ELECTRIC 4WD




 **axial**®

www.axialracing.com

YETI

CAUTIONS

 **To prevent serious personal injury and/or property damage, operate all remotely controlled models in a responsible manner as outlined herein.**

CHOOSE THE RIGHT PLACE TO OPERATE YOUR R/C MODEL.

- Do not run on public streets or highways. This could cause serious accidents, personal injuries, and/or property damage.
- Never run R/C models near people or animals.
- To avoid injury, do not run in confined spaces.
- Do not run where loud noises can disturb others, such as hospitals and residential areas.
- Never run indoors. There is a high risk of fire and/or damage.


INSPECT YOUR MODEL BEFORE OPERATION.

- Make sure that all screws and nuts are properly tightened. It is also a good idea to use removable thread lock wherever metal screws go into metal, especially for engine mounts and the engine pilot shaft.
- Always use fresh batteries for your transmitter and for your receiver to avoid losing control of the model.
- Always test the brakes and throttle before starting your engine to avoid losing control of the model.
- Make sure no one else is using the same radio frequency as you are using.

AFTER OPERATION OF YOUR R/C MODEL

- Turn off receiver first, then turn off transmitter, this will prevent runaways.
- Be careful when handling batteries, they will be hot after running.
- Replace any batteries that have been dented or have frayed wires, short circuits can cause fire.
- Be sure to keep your R/C model clean and free of excess dirt and grease, this will increase the life.

VORSICHT!

 **Um Verletzungen an Personen und/oder Sachschäden zu vermeiden, sollten alle ferngesteuerten Modelle sorgfältig und verantwortungsbewusst bedient werden, wie nachfolgend beschrieben.**

Wählen Sie den richtigen Platz zum Fahren

- Fahren Sie niemals auf öffentlichen Straßen. Dies könnte Verkehrsunfälle, Personen schäden oder Sachschäden verursachen.
- Fahren Sie niemals in der Nähe von anderen Personen oder Tieren.
- Fahren Sie niemals auf belebten Straßen.
- Fahren Sie nie in der Nähe von Wohnhäusern oder Krankenhäusern. Der Lärm könnte andere Personen stören.
- Fahren Sie niemals in Innenräumen. Dort könnte etwas beschädigt werden.

Überprüfen Sie Ihr Modell, bevor Sie es in Betrieb nehmen.

- Gehen Sie sicher, dass alle Schrauben und Muttern festgezogen sind. Verwenden Sie überall dort Schrauben-Sicherungslack, wo Metallschrauben in ein Metallgewinde greifen, besonders bei den Motorhaltern.
- Um Störungen zu vermeiden, benutzen Sie immer voll geladene Akkus in Ihrem Sender und Empfänger.
- Bevor Sie den Motor starten, sollten Sie immer die Funktion der Bremse und des Gashebels testen.
- Gehen Sie sicher, dass niemand mit der gleichen Frequenz fährt wie Sie.

Nach Betrieb des RC Modells:

- Zuerst den Empfänger abdrehen, dann den Sender abdrehen um unkontrolliertes Durchgehen zu vermeiden.
- Seien Sie vorsichtig mit gebrauchten Akkus, sie können nach dem Gebrauch heiß sein.
- Ersetzen Sie Akkus/Batterien die beschädigt sind oder schadhafte Kabel aufweisen, sie können Kurzschlüsse oder Feuer verursachen.
- Halten Sie Ihr Fahrzeug sauber und entfernen Sie Schmutz und Schmierfett, damit erhöhen Sie die Lebensdauer Ihres Modells.

PRECAUTIONS

 **Afin d'éviter toutes blessures corporelles et/ou dommages environnants, veuillez procéder en toute responsabilité comme indiqué ci-dessous**

Choisir le lieu adéquat pour faire rouler votre modèle.

- Ne jamais rouler dans les rues ou sur les routes ouvertes au public. Ceci peut provoquer de graves accidents.
- Ne jamais rouler près de personnes ou d'animaux.
- Pour éviter les blessures, ne pas rouler dans des espaces confinés.
- Ne jamais rouler où le bruit peut déranger, comme aux abords des hôpitaux ou des quartiers résidentiels.
- Ne jamais rouler à l'intérieur: les gaz d'échappement sont nocifs.

Controler votre modèle avant chaque utilisation.

- Vérifier que les vis et les écrous sont bien serrés. Il est très fortement conseillé d'utiliser du frein filet pour bloquer les vis qui sont en contact avec du métal et tout particulièrement les vis du moteur.
- Toujours utiliser des batteries bien chargées pour l'émission et la réception.
- Toujours vérifier les freins et la commande des gaz avant de démarrer.
- Vérifier qu'aucune autre personne n'utilise votre fréquence radio.

Après l'Opération De Votre Modèle de R/C

- Le virage du récepteur premier, alors virage de l'émetteur, ceci empêchera des fugitifs.
- Faire attention en contrôlant des piles, ils auront chaud après avoir couru.
- Remplacer n'importe quelles piles qui ont été cabossées ou a éraillé des fils, les court-circuits peuvent causer le feu.
- Etre sûr de garder votre modèle de R/C nettoie et libère de terre et la graisse supplémentaires, ceci augmentera la vie.

Equipment needed / Benötigtes Zubehör / Equipement nécessaire

Radio Gear / Fernsteueranlage / Equipement Radio

Radio control system

• You will need a 2-Channel radio system with one servo, receiver, an electronic speed control with an ON/OFF switch.

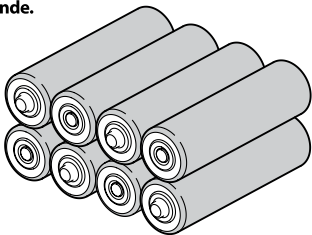
Fernsteueranlage

• Sie werden ein 2-Kanal Radio System mit einem Servo, Empfänger, eine elektronische Geschwindigkeitssteuerung mit einem Netzschalter brauchen.

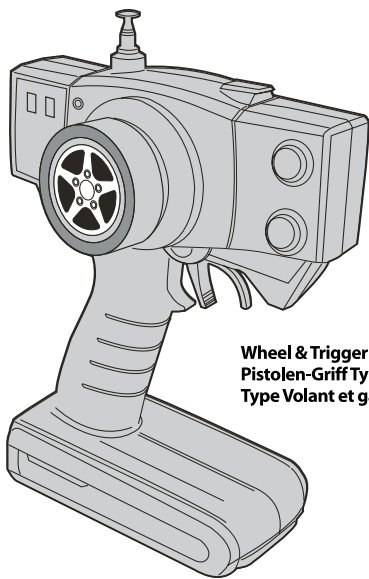
Ensemble radiocommande

• Vous aurez besoin d'un système de radio de 2 Chaînes avec un servo, le récepteur, un contrôle de vitesse électronique avec un interrupteur(on-off).

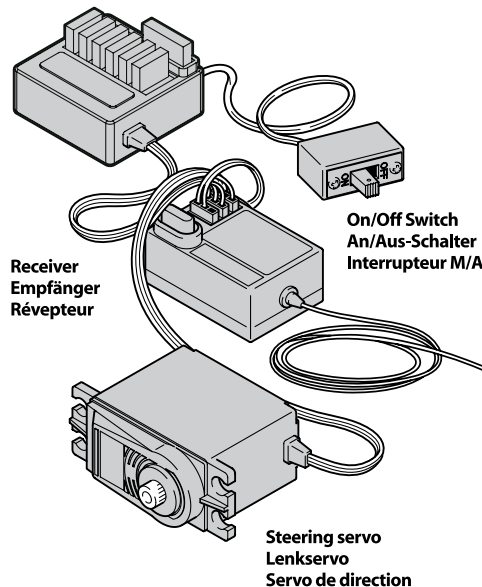
- 8AA Alkaline Dry Batteries.
- 8 St. AA Trockenbatterien.
- 8 piles type R6 pour votre radio commande.



8x



Wheel & Trigger Type
Pistolen-Griff Typ
Type Volant et gachette



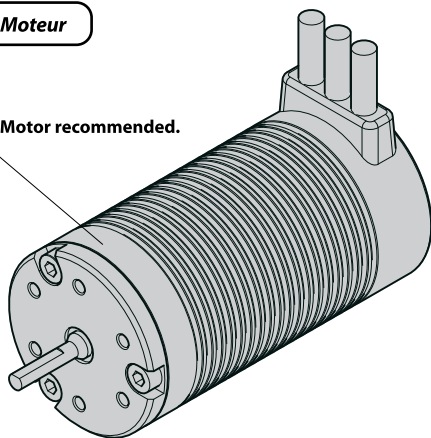
Receiver
Empfänger
Récepteur

On/Off Switch
An/Aus-Schalter
Interrupteur M/A

Steering servo
Lenkservo
Servo de direction

Motor / Motoren / Moteur

540 or 550 Brushless Motor recommended.

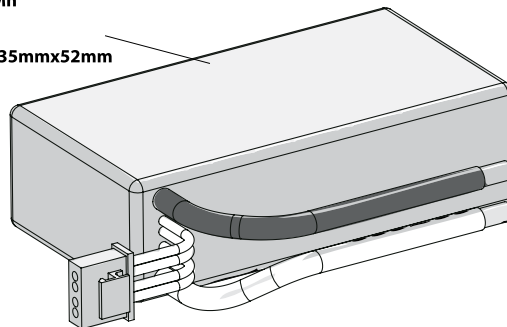


Battery / Akku / Batterie

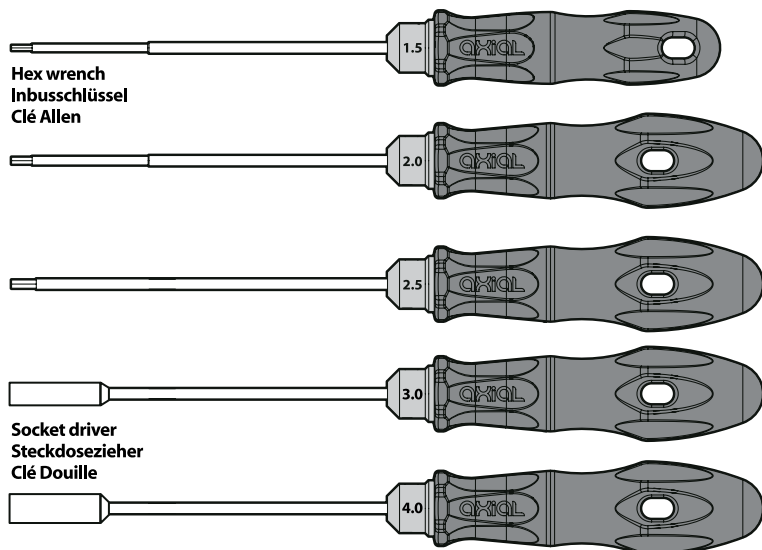
Battery / Akku / Batterie

Recommended Battery:
Standard 6-cell NiMH
Standard 2S Lipo

Max Size: 149mmx35mmx52mm

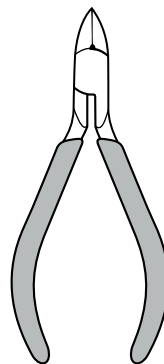


Tools Recommended / Benötigte Werkzeuge / Outillage

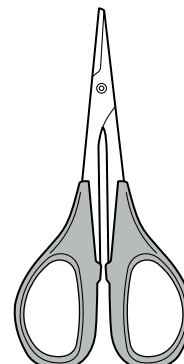


Hex wrench
Inbusschlüssel
Clé Allen

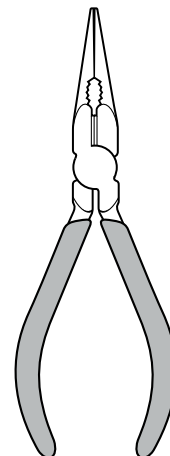
Socket driver
Steckdosezieher
Clé Douille



Side cutter
Seitenschneider
Pincès coupantes

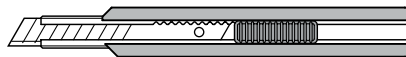


Curved scissors
Schere
Ciseaux

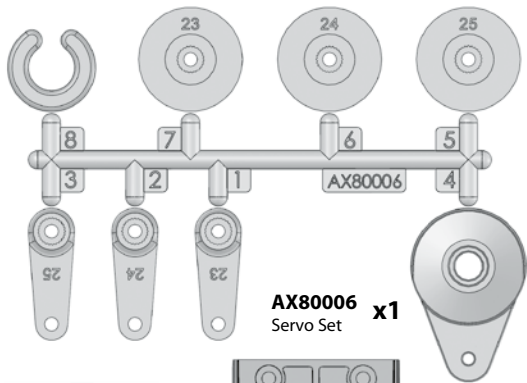


Long nose pliers
Flachzange
Pincès à becs longs

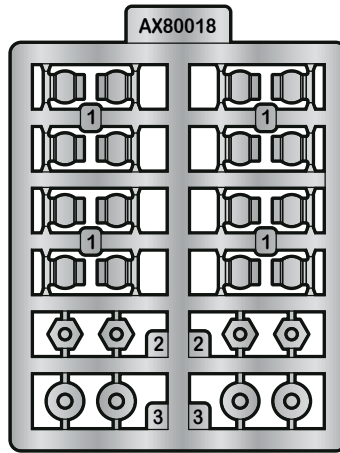
Modeling knife
Modelliermesser
Couteau de modéliste



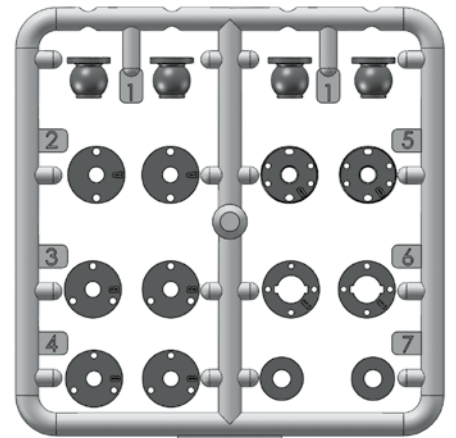
Parts Reference / Übersicht aller Teile / Référence des pièces



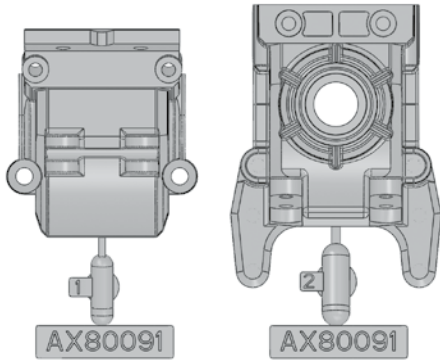
AX80006
Servo Set **x1**



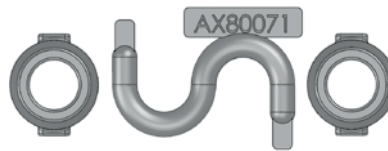
AX80018
Hardware Parts Tree **x2**



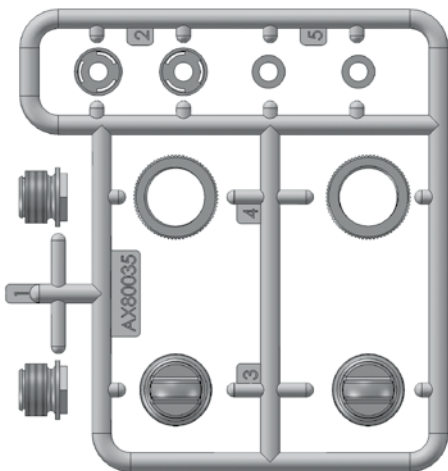
AX80033
10m Shock Parts Tree 1 **x2**



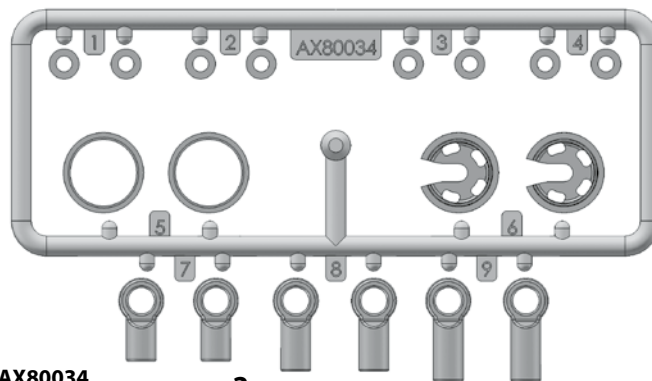
AX80091
EXO Bulkhead **x1**



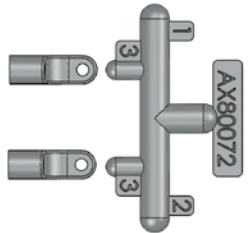
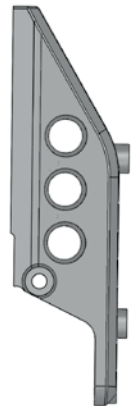
AX80071
AR60 OCP Straight Axle Adapter **x1**



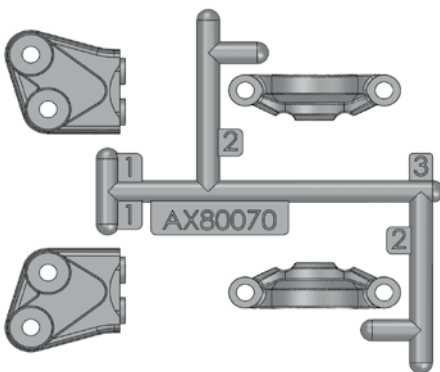
AX80035
10mm Shock Caps Parts Tree **x2**



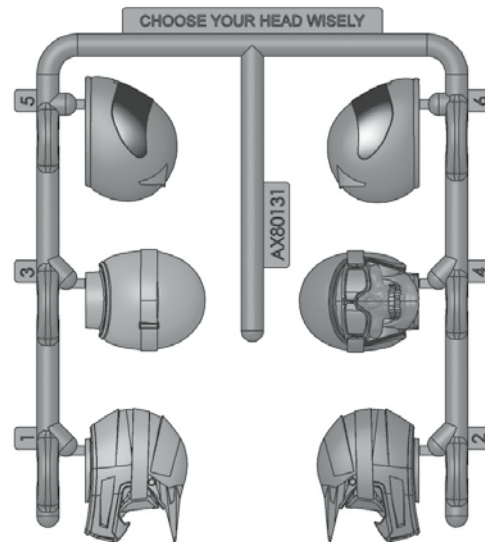
AX80034
10mm Shock Parts Tree 2 **x2**



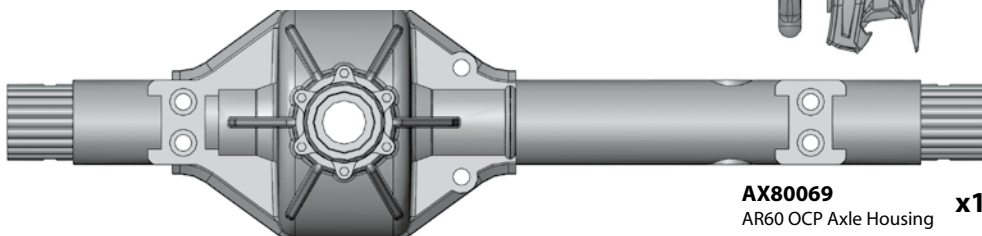
AX80072



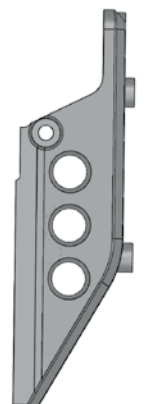
AX80070
AR60 OCP Differential Cover **x1**



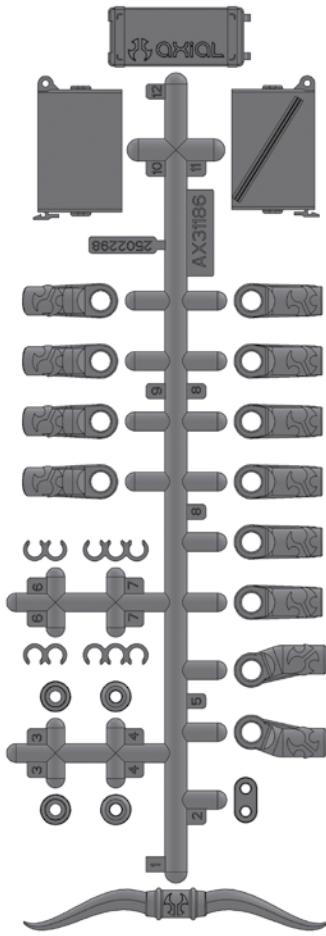
AX80131
Motocross Helmet **x1**



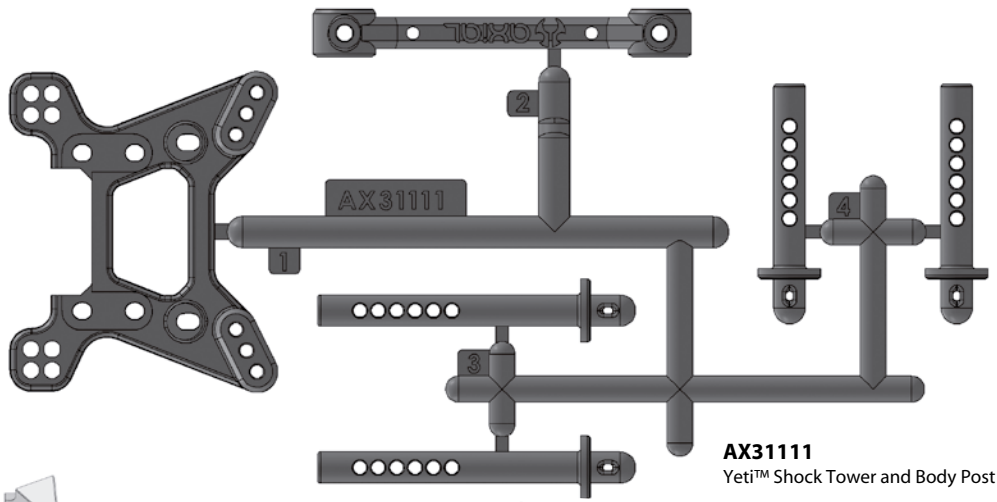
AX80069
AR60 OCP Axle Housing **x1**



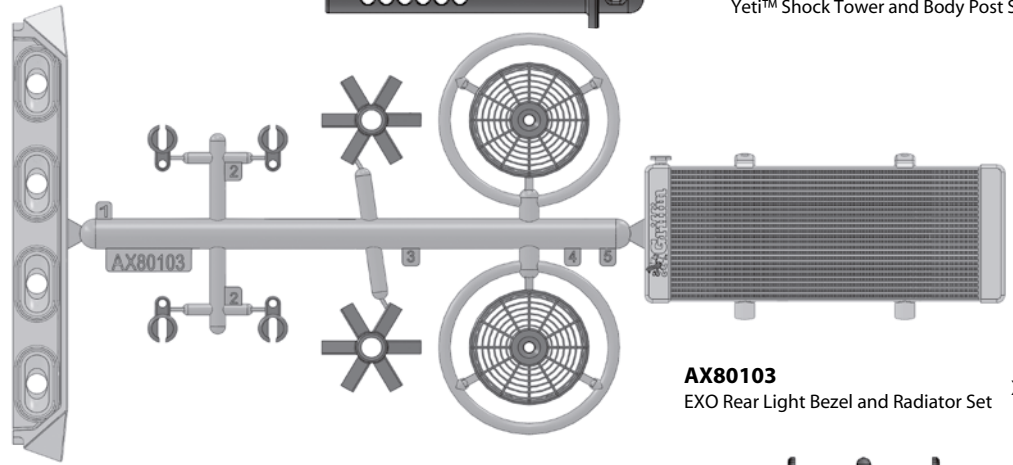
AX80072
AR60 OCP 4-Link Mount **x1**



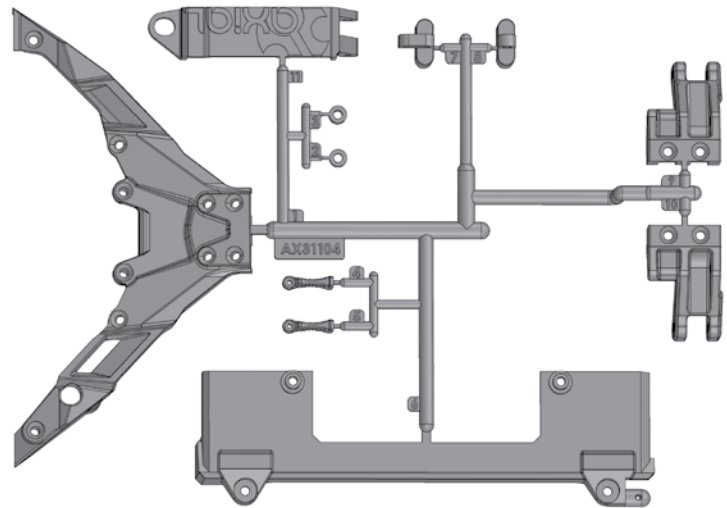
AX31186
M4 Rod End Set **x1**



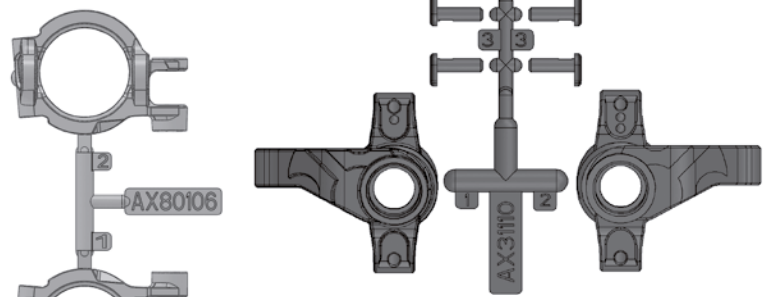
AX31111
Yeti™ Shock Tower and Body Post Set **x1**



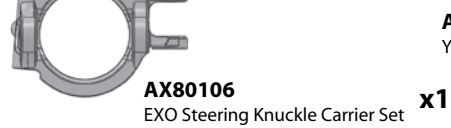
AX80103
EXO Rear Light Bezel and Radiator Set **x1**



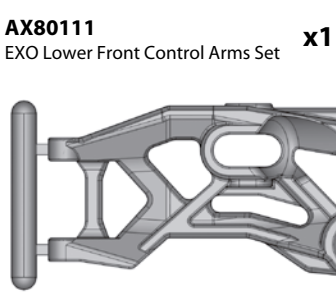
AX31104
Yeti™ Chassis Components **x1**



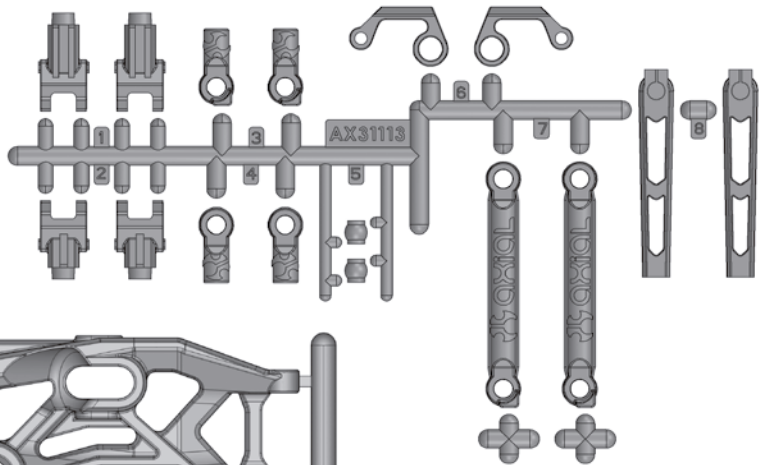
AX31110
Yeti™ Steering Knuckle Set **x1**



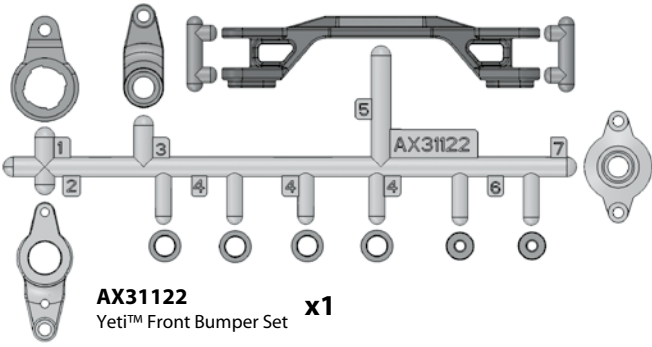
AX80106
EXO Steering Knuckle Carrier Set **x1**



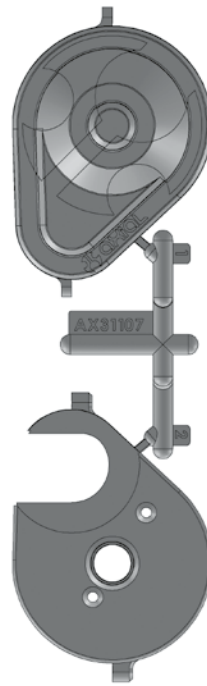
AX80111
EXO Lower Front Control Arms Set **x1**



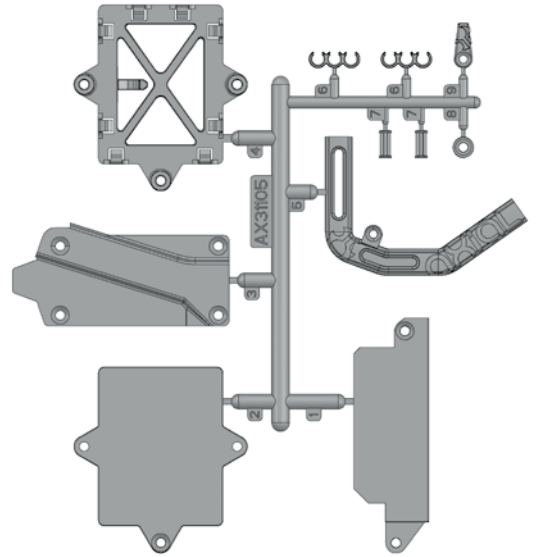
AX31113
Yeti™ Rear Sway Bar Mount Set **x1**



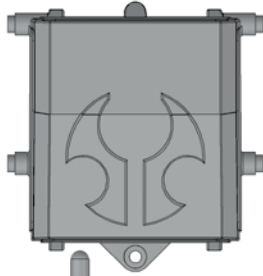
AX31122
Yeti™ Front Bumper Set **x1**



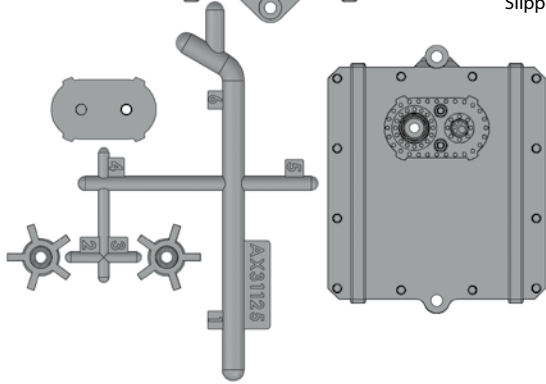
AX31107
2-Speed Hi/Lo Transmission Spur Gear Cover **x1**



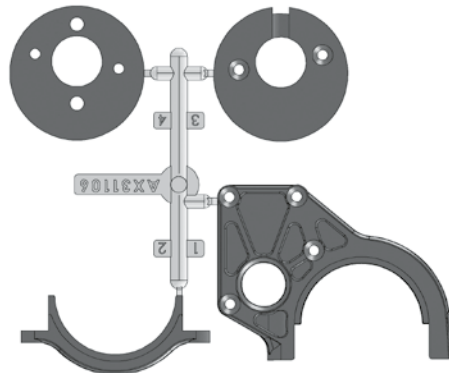
AX31105
Yeti™ Chassis Electronic Components **x1**



AX31067
Slipper Plate **x1**



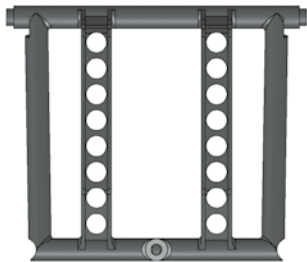
AX31128
Yeti™ Fuel Cell **x1**



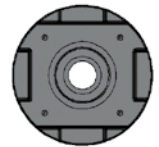
AX31106
2-Speed Hi/Lo Transmission Motor Mount **x1**



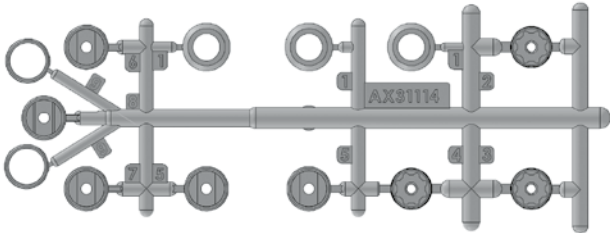
AX31178
2.2 Method Beadlock Wheels - IFD™ Wheels - Black(2pcs) **x4**



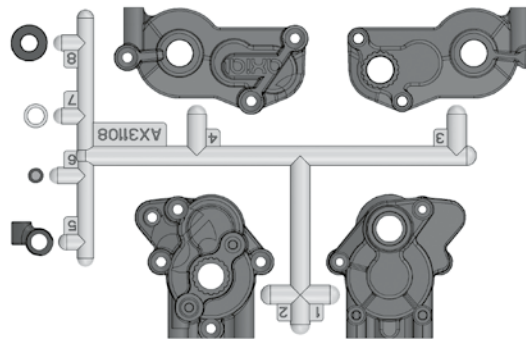
AX31059
Slipper Plate **x2**



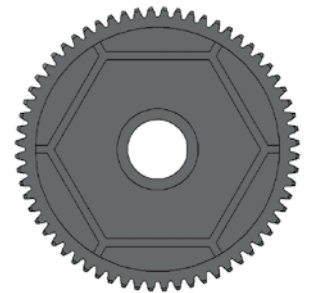
AX80002
Diff Case -Small **x2**



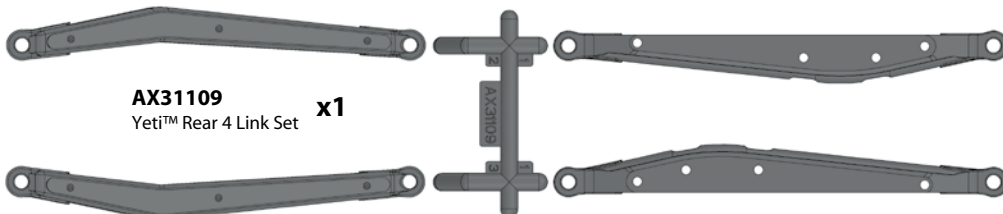
AX31114
WB8-HD Driveshaft **x1**



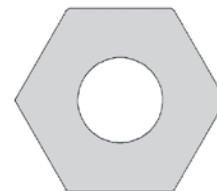
AX31108
2-Speed Hi/Lo Transmission Case **x1**



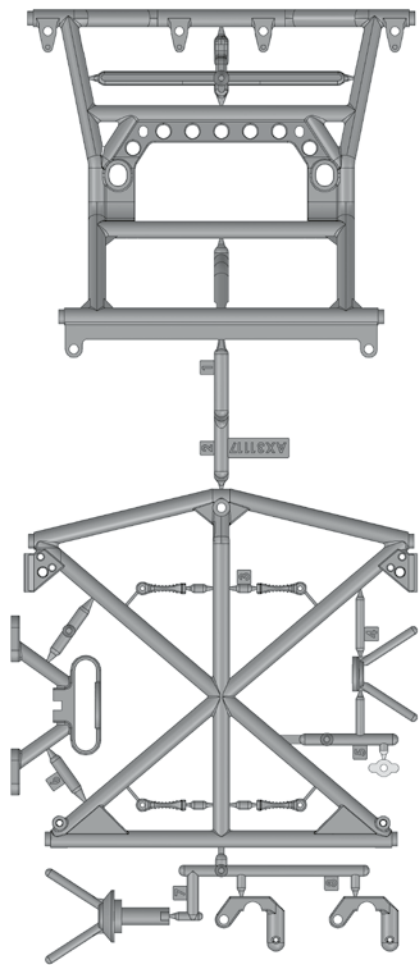
AX31065
Spur Gear 32P 64T **x1**



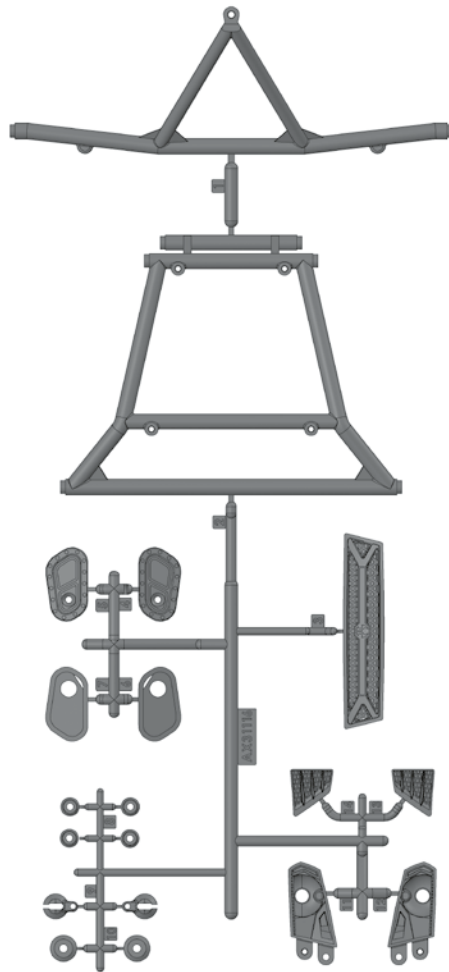
AX31109
Yeti™ Rear 4 Link Set **x1**



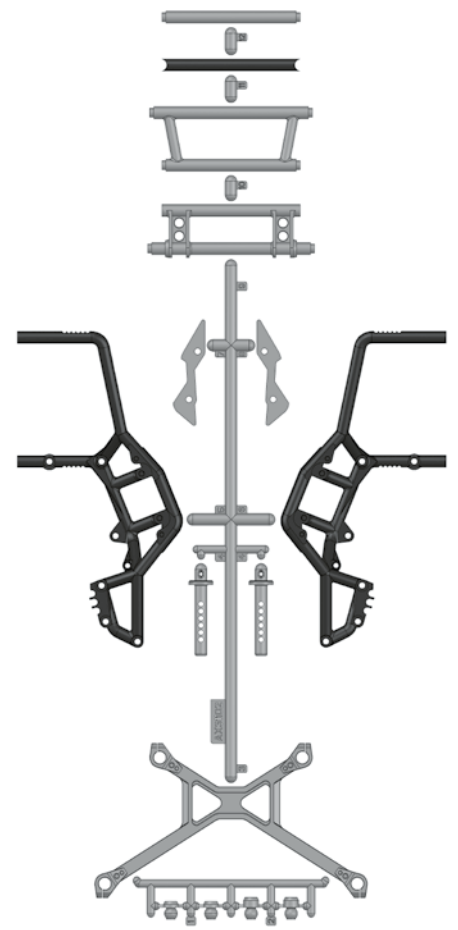
AX31068
Slipper Pad **x2**
32.8x15.2x1mm (2pcs)



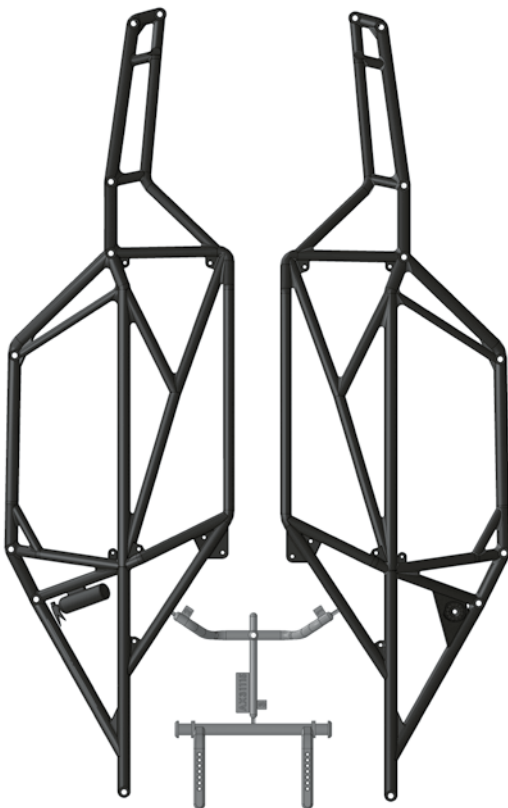
AX31117
Y-380 Cage Top, Rear and Tire Carrier **x1**



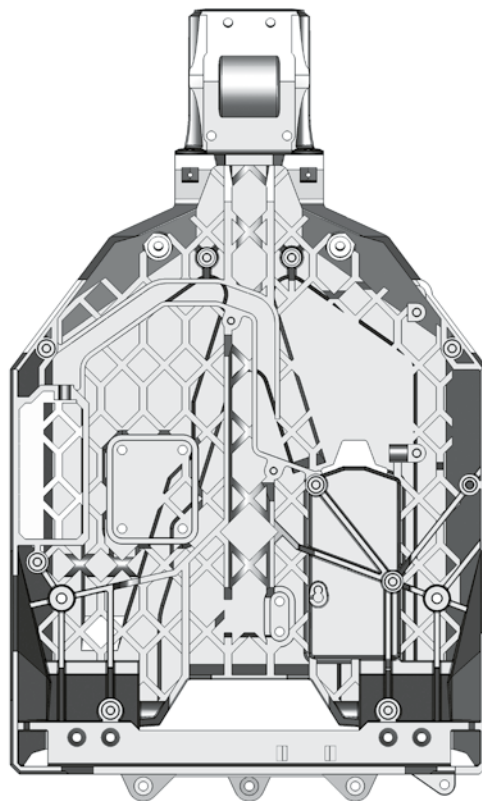
AX31116
Y-380 Cage Front and inserts **x1**



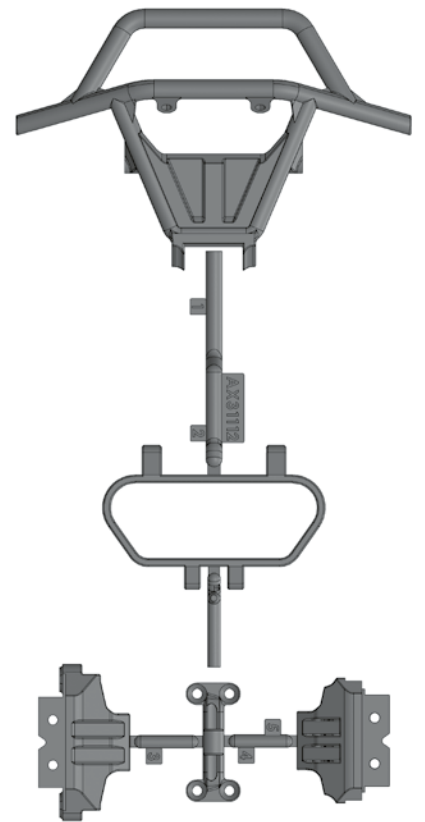
AX31102
Yeti™ Rear Cage Components **x1**



AX31115
Y-380 Cage Sides (Left and Right) **x1**



AX31103
Yeti™ Molded Chassis Tub **x1**



AX31112
Yeti™ Front Bumper Set **x1**

 **AX31272**
M4x55mm Turnbuckle **x2**

 **AX31273**
M4x60mm Turnbuckle **x2**


 **AX30384**
Steel steering Post **x2**


 **AX30147**
Shock Shaft 3x53.5mm **x2**

 **AX31054**
Shock Shaft 3x71mm **x2**


 **AX31129**
2-Speed Hi/Lo Transmission Bottom Shaft (5x75mm) **x1**


 **AX31245**
Stamped Link Plate 1 Lower **x4**

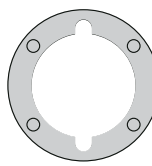
 **AX31155**
Spring 14x90mm 1.14 lbs/in - Orange **x2**

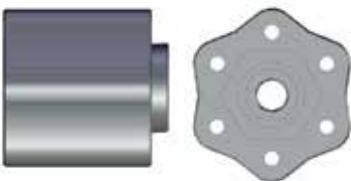
 **AX30229**
Spring 14x54mm 4.33 lbs/in - (Yellow) **x2**

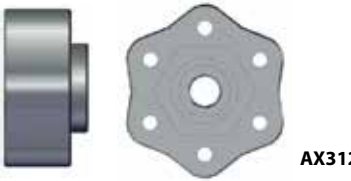
 **AX30413**
Slipper Spring 8.5x12 **x1**

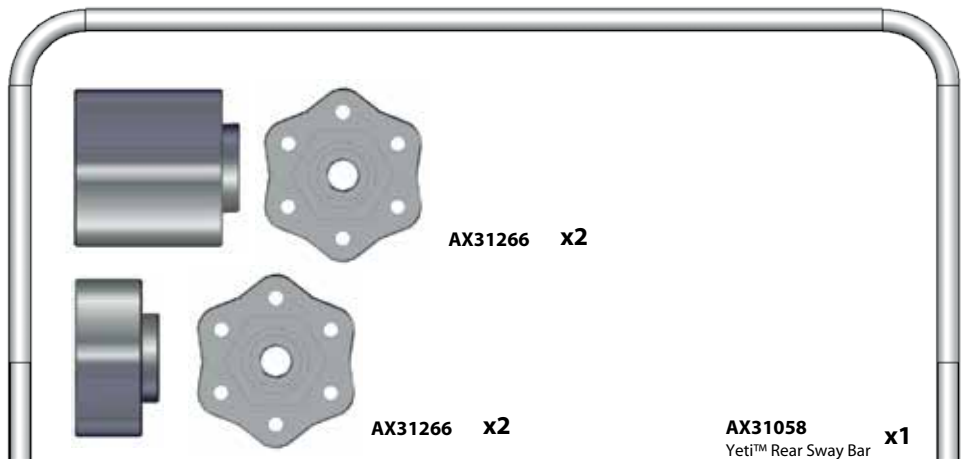
 **AX31189**
Aluminum Shock Body 12x59mm **x2**

 **AX31187**
Aluminum Shock Body 12x41.5mm **x2**

 **AX30385**
Diff Gasket 16x25x0.5mm **x2**

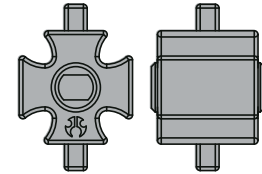
 **AX31266** **x2**

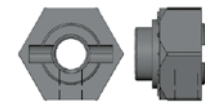
 **AX31266** **x2**

 **AX31058**
Yeti™ Rear Sway Bar **x1**


 **AX30842**
Pinion Gear 32P 16T (5mm shaft) **x1**

 **AX30395**
Bevel Gear Set **x2**

 **AX30500**
Heavy Duty Locker **x1**

 **AX30429**
12mm Aluminum Hub **x4**

 **AX31060**
Spring 13x9.25mm **x1**

 **AX30438**
Machined Shock Piston 10mm - 1.2x **x4**

 **AX31083**
Radio Box Seals **x1**

AX31083 x1
Radio Box Seals

AX31083 x1
Radio Box Seals

AX30382 x4
EXO Steering King Pin

AX31131 x1
T-Case Gear Set

AX31148 x2
WB8-HD Driveshaft Coupler Set

AX31148 x3
WB8-HD Driveshaft Coupler Set

AX30383 x1
EXO Heavy Duty Differential Input Shaft

AX30381 x2
EXO Heavy Duty Differential Output Shaft



AX31131 x1
T-Case Gear Set



AX31130 x1
High Speed Transmission Gear Set



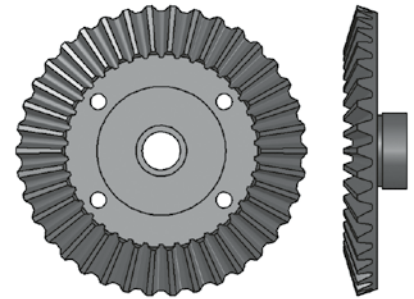
AX31130 x1
High Speed Transmission Gear Set



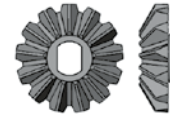
AX31131 x1
T-Case Gear Set



AX31131 x1
T-Case Gear Set



AX30395 x2
Bevel Gear Set



AX30390 x2
Differential Gear Set



AX30390 x2
Differential Gear Set



AX31134 x1
2-Speed Hi/Lo Transmission Output Shaft



AXA1635 x1
M3x35mm Turnbuckle





























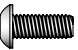




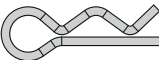























AX31127 x1
2-Speed Hi/Lo Transmission Top Shaft (5x91mm)

AX31139 x1
Center Universal Shaft 103mm

AX31135 x1
Center Universal Shaft 103mm

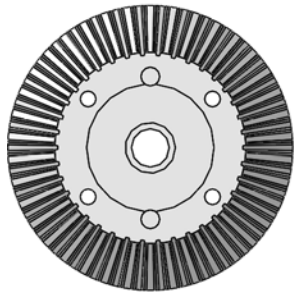
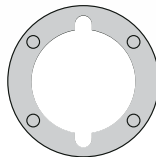
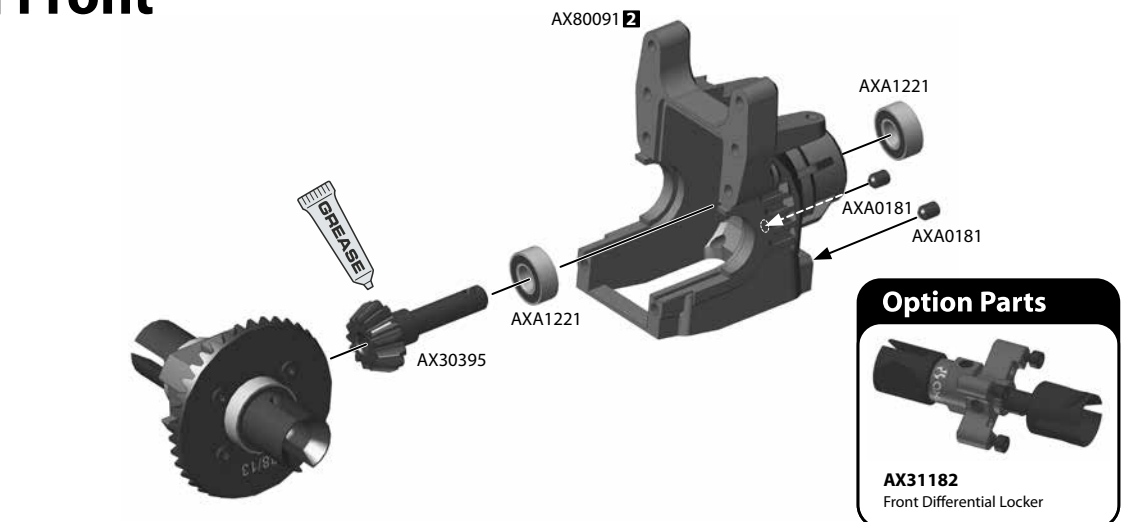
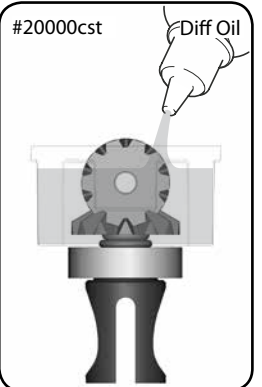
AX30776 x1
Rear Axle Shaft 6x104.2mm

AX30776 x1
Rear Axle Shaft 6x160.2mm





| | | | | | | | | |
|--|--|------------|--|--|------------|---|---|------------|
|  | AX31148 4.5x6.5mm Joint Pin | x3 |  | AXA1041 M2.5 Nylon Locking Hex Nut | x4 |  | AXA144 M3x8mm | x4 |
|  | AXA1184 O-Ring 7.5x1.5mm | x4 |  | AXA1052 M3 Thin Nylon Locking Hex Nut | x18 |  | AXA146 M3x12mm | x40 |
|  | AXA1202 O-Ring 3.5x2mm | x8 |  | AXA1053 M3 Nylon Locking Hex Nut | x9 |  | AXA0147 M3x16mm | x9 |
|  | AXA1162 O-Ring 5x1mm | x4 |  | AXA1045 M4 Nylon Lock Nut | x1 |  | AXA148 M3x18mm | x13 |
|  | AX30113 Rubber Bump Stop 3.6x7x4 | x4 |  | AX31250 M4 Serrated Nylon Locking Nut | x4 |  | AXA150 M3x25mm | x2 |
|  | AX30112 Shock Diaphragm 13x4.5mm | x4 |  | AXA180 M3x3mm Set Screw (Black) | x14 |  | AXA015 M2x10mm | x12 |
|  | AXA1069 Washer 2.7x6.7x0.5 mm | x8 |  | AXA0181 M3x4mm Set Screw | x4 |  | AXA0023 M2.6x8mm | x24 |
|  | AXA1071 Washer 4x8x0.5mm | x2 |  | AXA291 M4x4mm Set Screw (Black) | x1 |  | AXA013 M2x6mm | x6 |
|  | AX30163 Pin 2x10mm | x5 |  | AXA0113 M3x6mm | x5 |  | AXA087 M3x16mm | x6 |
|  | AX31028 Pin 2x11mm | x8 |  | AXA114 M3x8mm | x4 |  | AXA196 M4x12mm | x2 |
|  | AX30170 M3x22mm | x1 |  | AXA115 M3x10mm | x6 |  | AXA091 M3x30mm | x1 |
|  | AXA1059 6mm Body Clip | x5 |  | AXA116 M3x12mm | x32 |  | AXA0412 M2.6x6mm | x2 |
|  | AXA1393 E2.5 e-clip | x2 |  | AXA117 M3x15mm | x7 |  | AXA0109 M3x10mm Oversized Flat Hex Socket | x4 |
|  | AXA1391 E4 e-clip | x3 |  | AXA118 M3x18mm | x41 |  | AXA0413 M2.6x8mm | x3 |
|  | AXA1213 Bearing 5x8x2.5mm | x4 |  | AXA119 M3x20mm | x4 |  | AX31061 M2.6x18mm | x2 |
|  | AXA1221 Bearing 5x11x4mm | x18 |  | AXA121 M3x30mm | x3 |  | AXA0422 M2.6x6mm | x18 |
|  | AXA1230 Bearing 10x15x4mm | x6 |  | AX31119 M3x35mm Hex Socket Button Head | x3 |  | AXA435 M3x10mm | x2 |
| | | |  | AXA0125 M3x35mm Hex Socket Button Head Screw Shaft | x2 |  | AXA436 M3x12mm | x7 |
| | | |  | AXA0128 M3x61mm Hex Socket Button Head Screw Shaft | x2 |  | AXA0437 M3x15mm | x12 |
| | | | | | |  | AXA440 M3x25mm | x1 |
| | | | | | |  | AXA0286 M4x12mm | x6 |

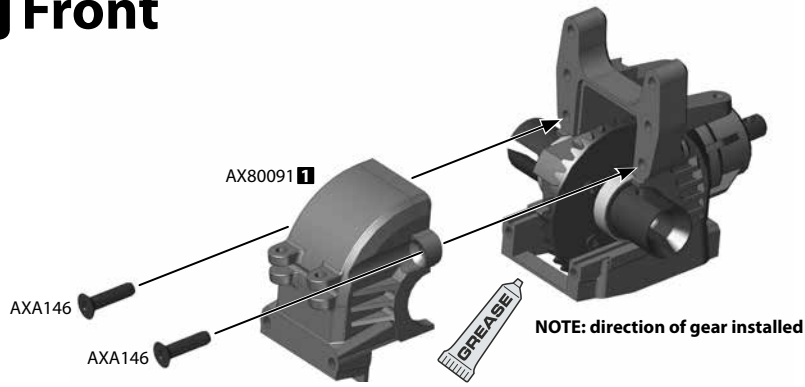
A**Open Bag A****1****Open Plastic Bag 1****1 Front**

-  **AXA015**
M2x10mm **x4**
-  **AXA1393**
E2.5 e-clip **x2**
-  **AX30390**
10T Spider Gear **x2**
-  **AXA1162**
O-Ring 4.6x1mm **x4**
-  **AX30390**
13T Spider Gear **x2**
-  **AXA1230**
Bearing 10x15x4mm **x2**

**AX30395**
38T Bevel Gear **x1****AXA1221**
Bearing 5x11x4mm **x2****AX30395**
13T Bevel Gear HD **x1****AXA0181**
M3x4mm **x2****Option Parts****AX30401-36T/14T**
AX30402-43T/13T
Heavy Duty Bevel Gear Set**AX30385**
Diff Gasket 16x25x0.5mm **x1****2 Front****Option Parts****AX31182**
Front Differential Locker

3 Front

-  **AXA146**
M3x12mm **x2**
-  **AXA0147**
M3x16mm **x4**
-  **AXA118**
M3x18mm **x2**
-  **AXA0286**
M4x12mm **x2**



Option Parts

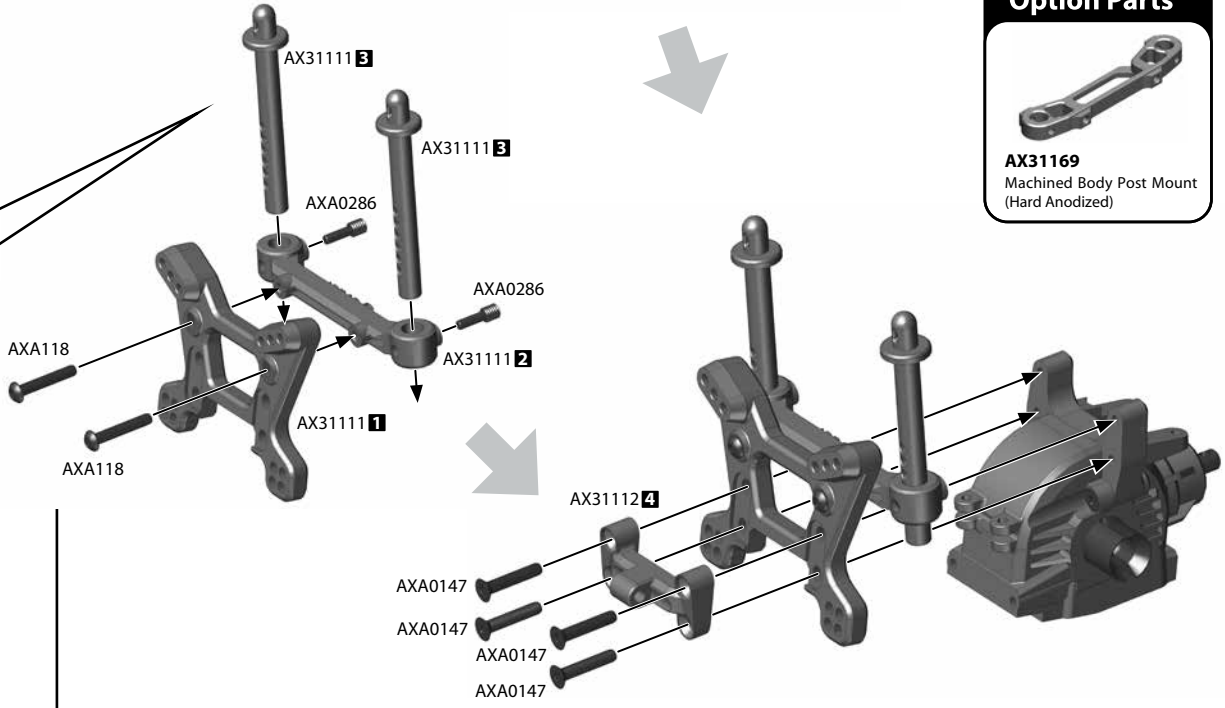


AX31170
Machined Front Shock Tower
(Hard Anodized)


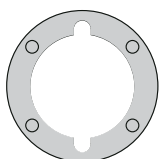
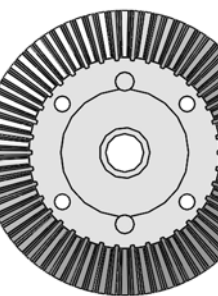
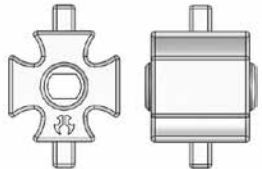

Option Parts

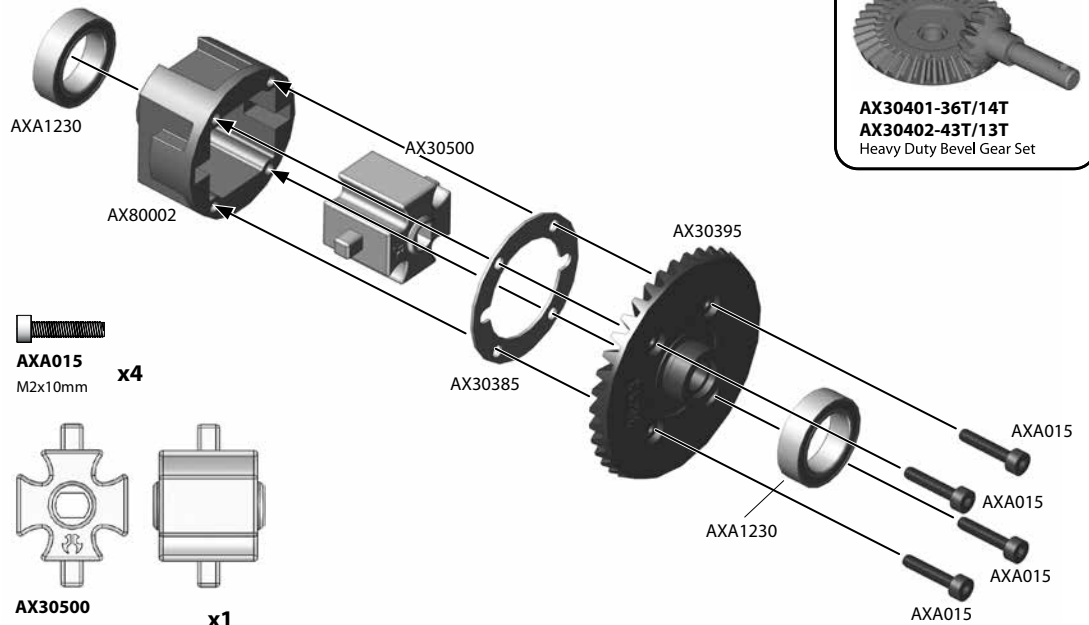


AX31169
Machined Body Post Mount
(Hard Anodized)



4 Rear

-  **AXA1230**
Bearing 10x15x4mm **x2**
-  **AX30385**
Diff Gasket 16x25x0.5mm **x1**
-  **AX30395**
38T Bevel Gear **x1**
-  **AX30500**
Heavy Duty Locker **x1**
-  **AXA015**
M2x10mm **x4**



Option Parts



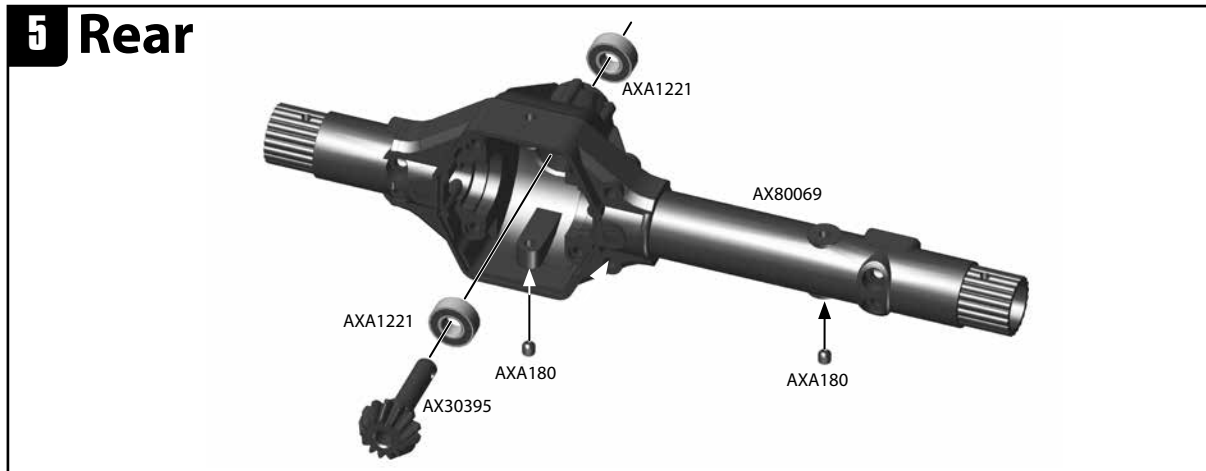
AX30401-36T/14T
AX30402-43T/13T
Heavy Duty Bevel Gear Set

5 Rear

AXA180
M3x3 mm **x2**

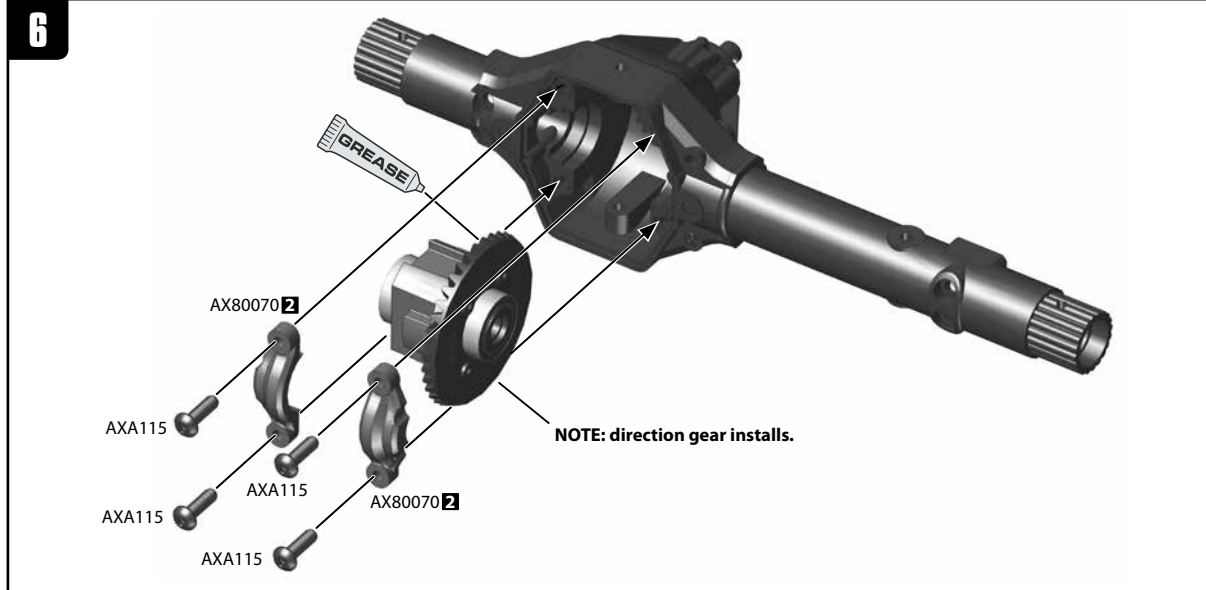
AXA1221
Bearing 5x11x4mm **x2**

AX30395
13T Bevel Gear HD **x1**



6

AXA115
M3x10mm **x4**

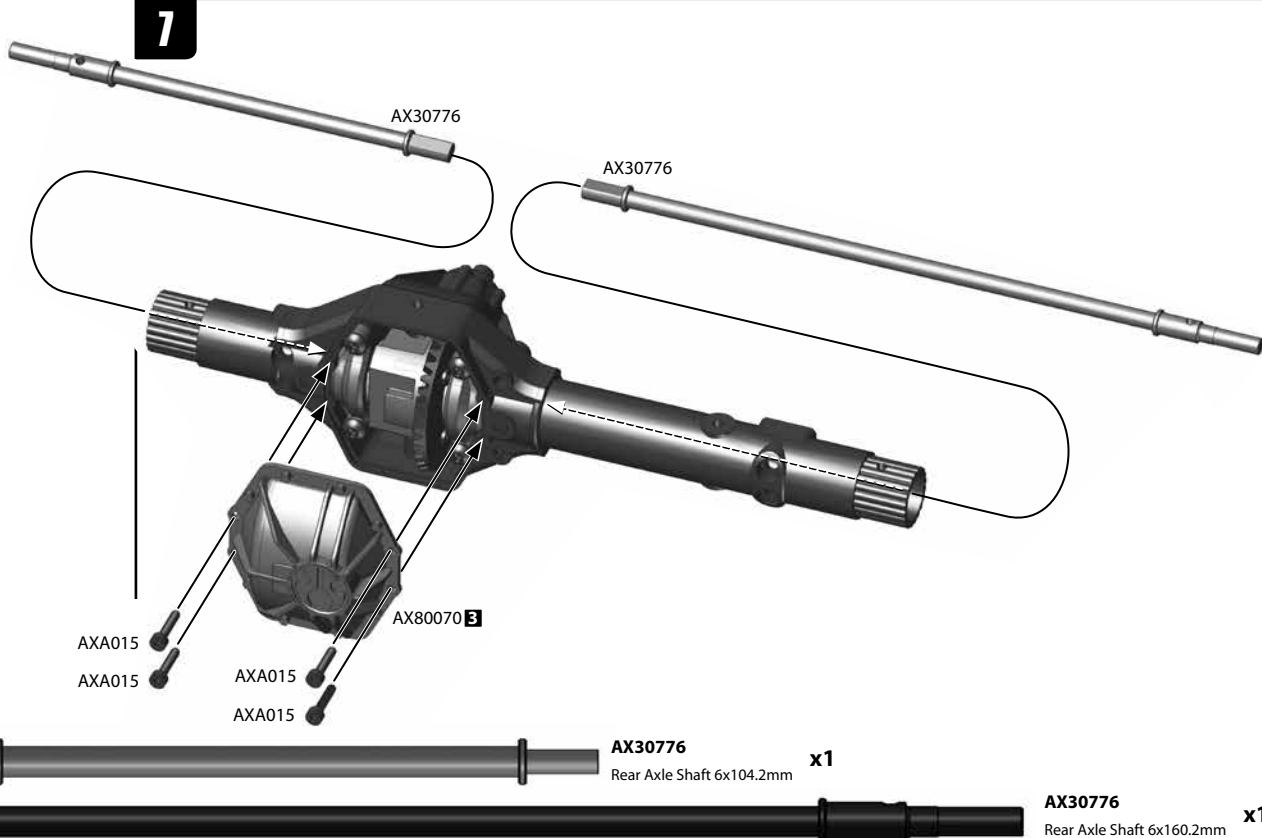


7

AXA015
M2x10mm **x4**

AX30776
Rear Axle Shaft 6x104.2mm **x1**

AX30776
Rear Axle Shaft 6x160.2mm **x1**



8 Rear

AXA0113
M3x6mm **x4**

AXA1221
Bearing 5x11x4mm **x2**

Option Parts



AX30789
Rear Straight Axle Aluminum Adapter



AXA119
M3x20mm **x1**

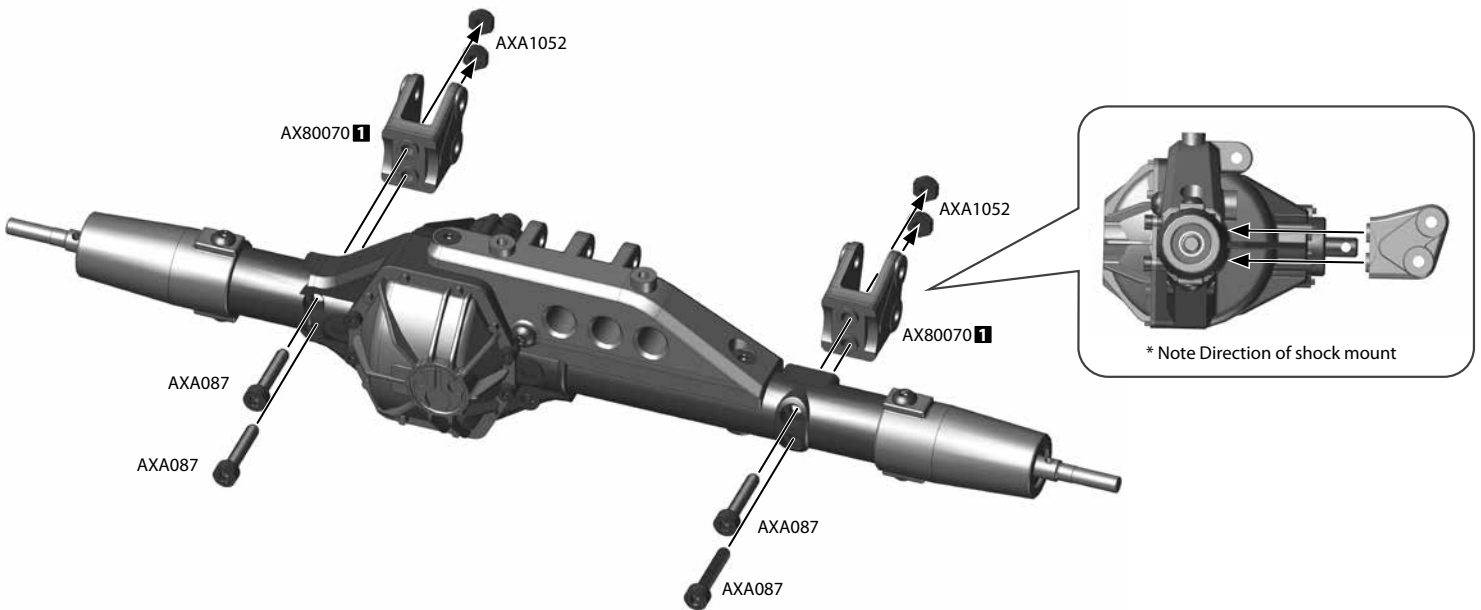
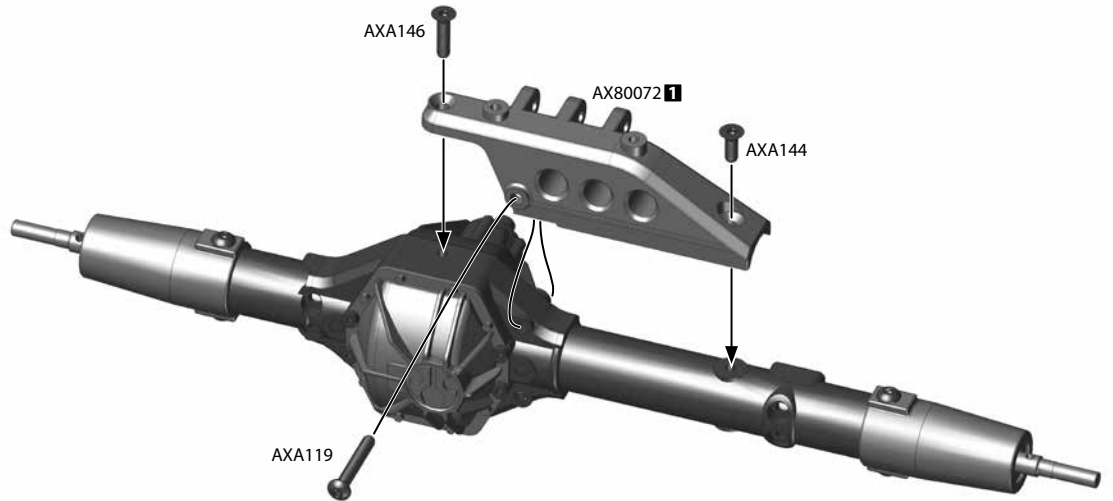
AXA144
M3x8mm **x1**

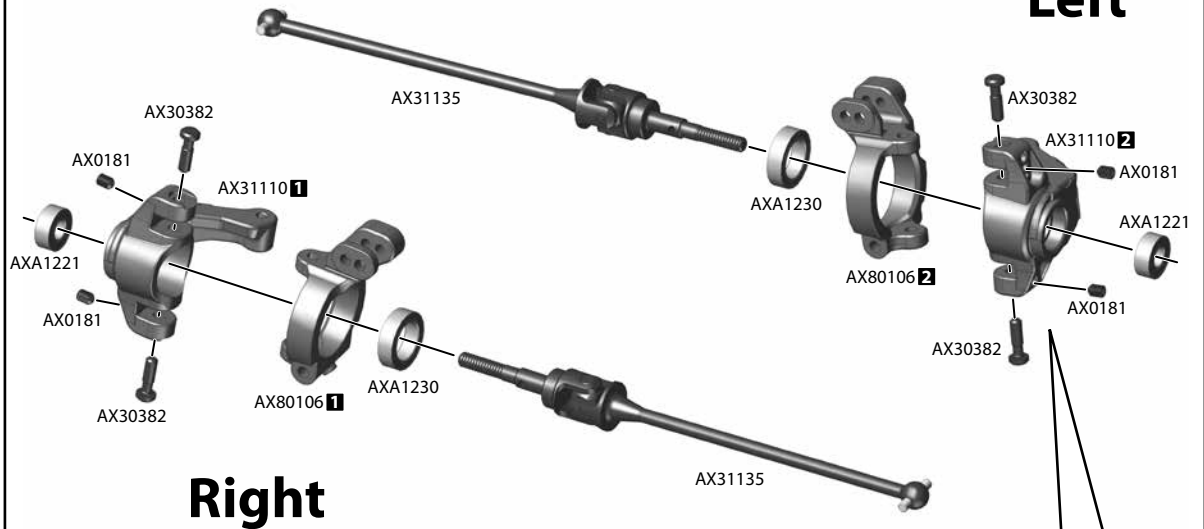
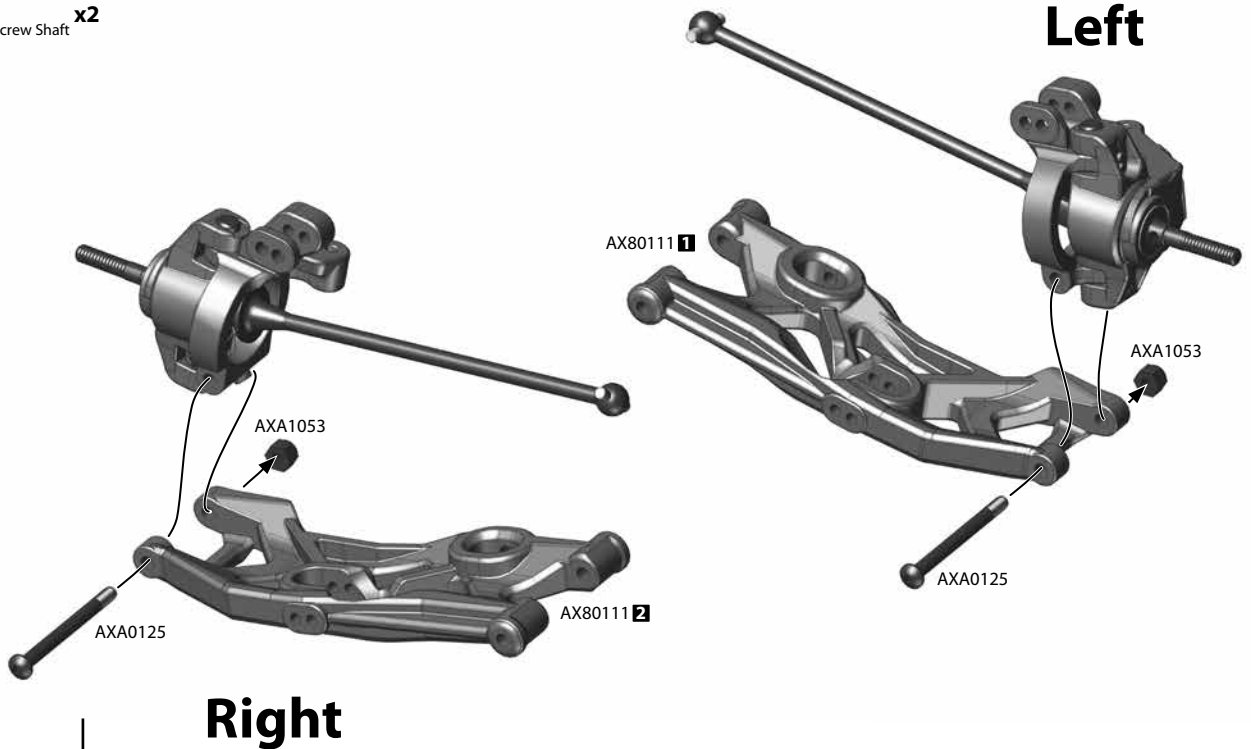
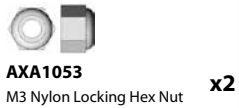
AXA146
M3x12mm **x1**

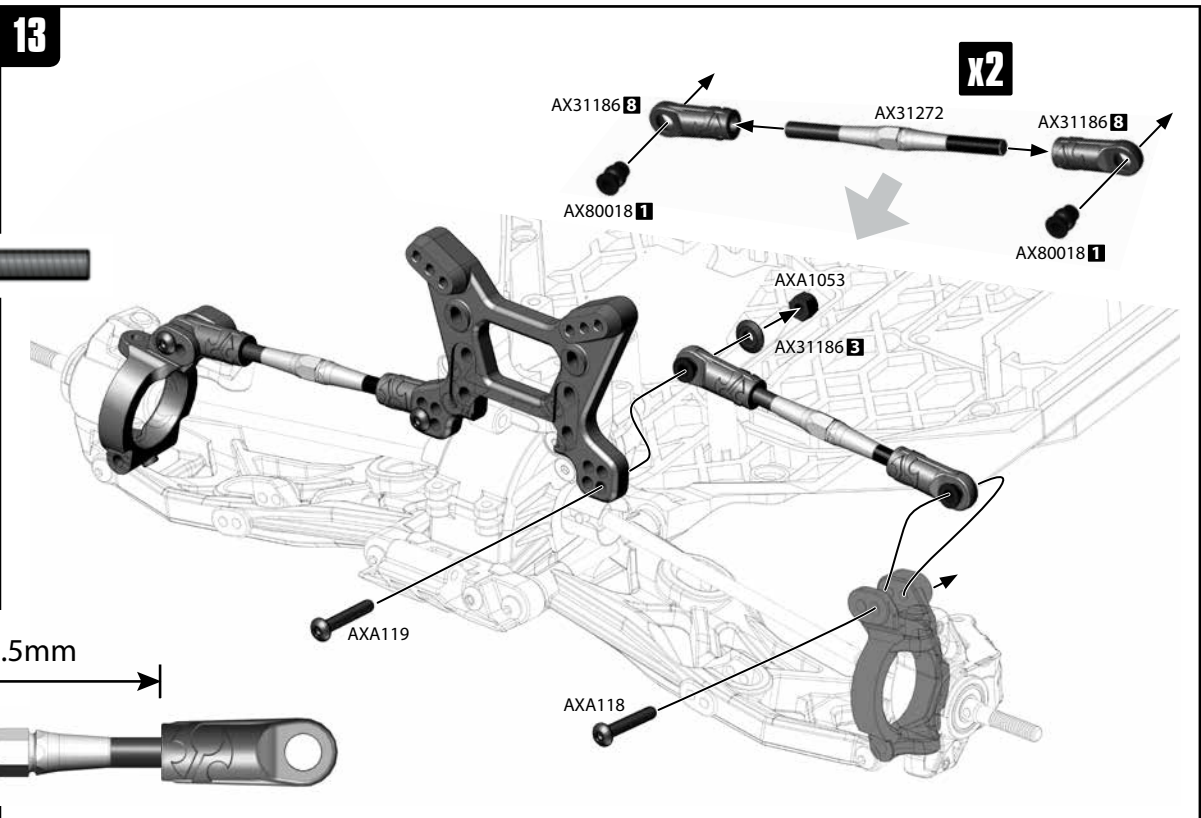
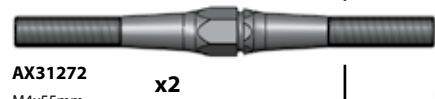
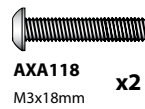
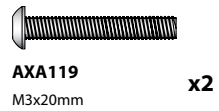
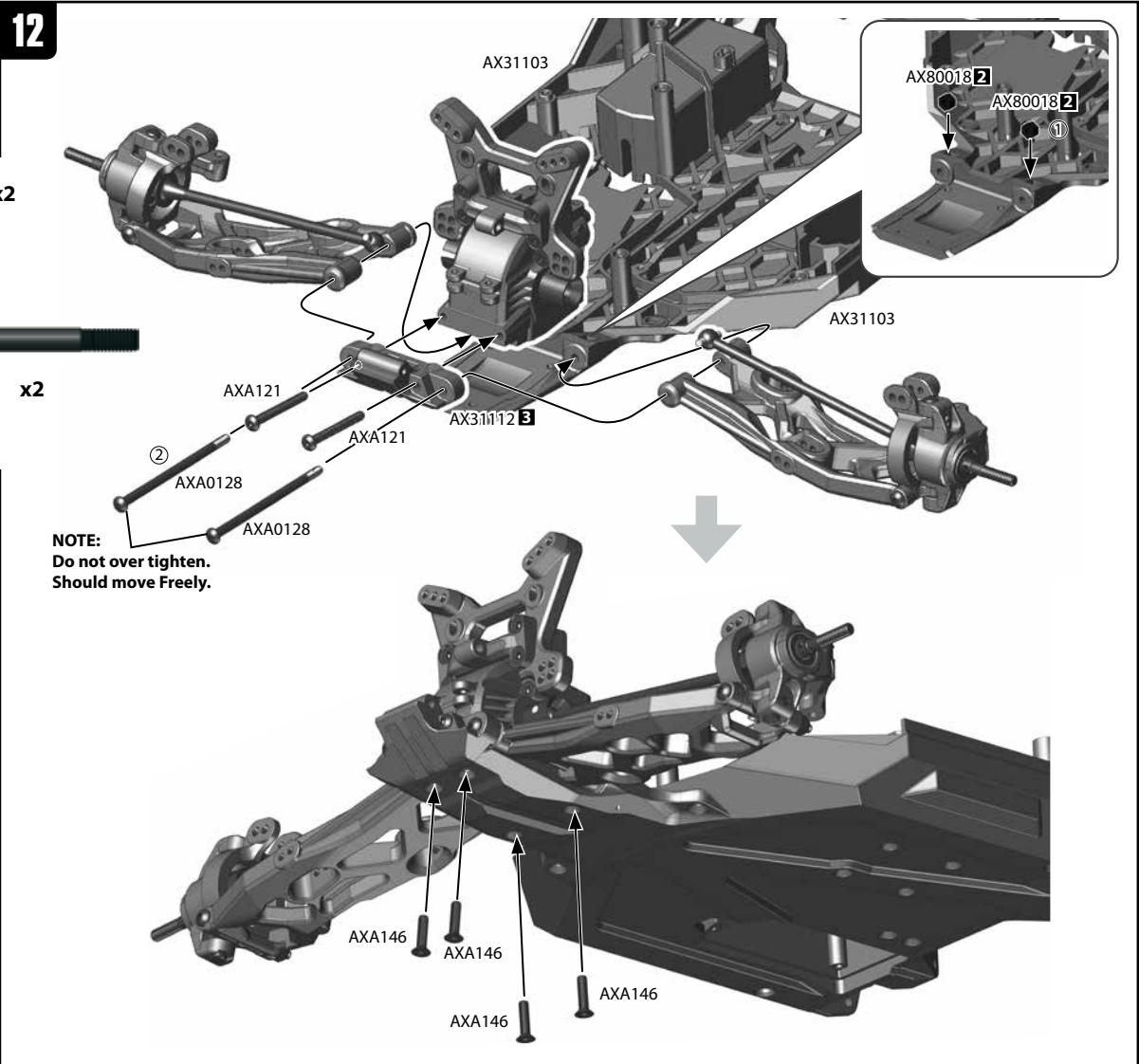
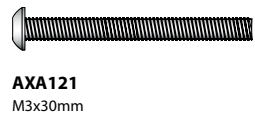
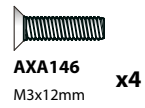
AXA1052
M3 Thin Nylon Locking Hex Nut **x4**

AXA087
M3x16mm **x4**

9



B**Open Bag B****10 Front****Left****Right****11****Left****Right**





AX31061
M2.6x18mm **x2**



AX31060
Spring 13x6.25mm **x1**

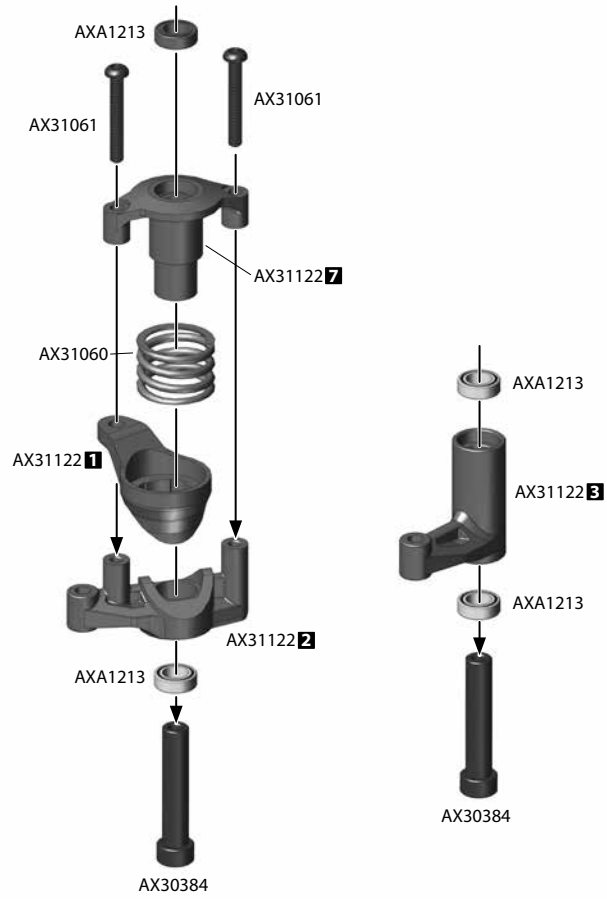


AX30384
EXO Steering Post Steel **x2**



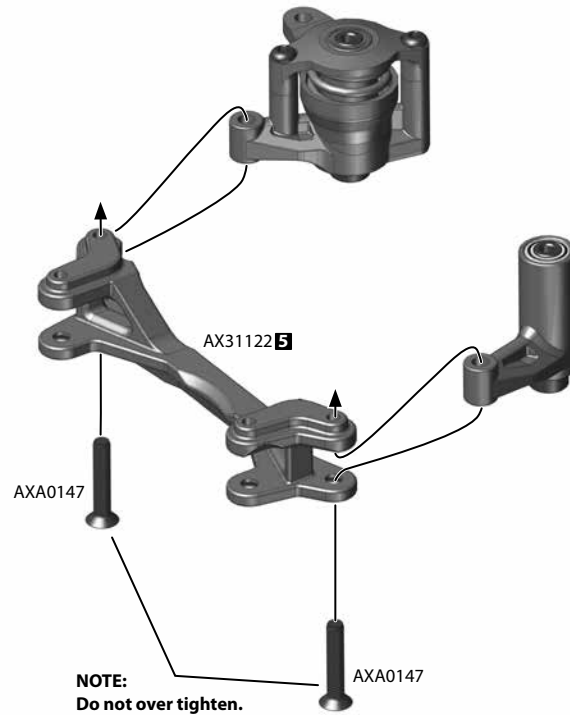
AXA1213
Bearing 5x8x2.5mm **x4**

14



AXA0147
Hex Socket Flat Head M3x16mm **x2**

15





AXA0147
Hex Socket Flat Head M3x16mm x2



AX31273
M4x60mm x2

Right



38mm

Left



38mm

16

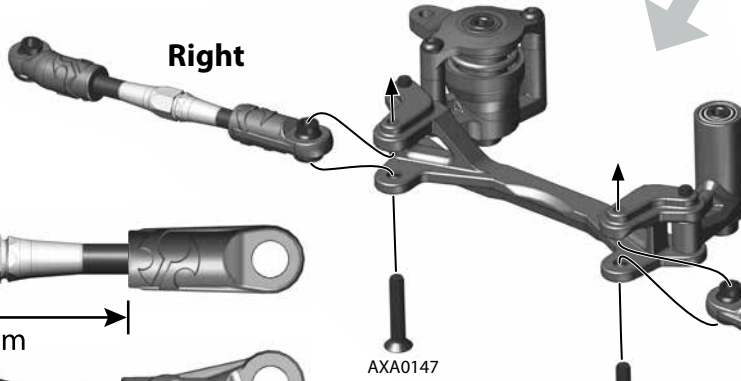
Right



Left



Right



Left

AXA0147

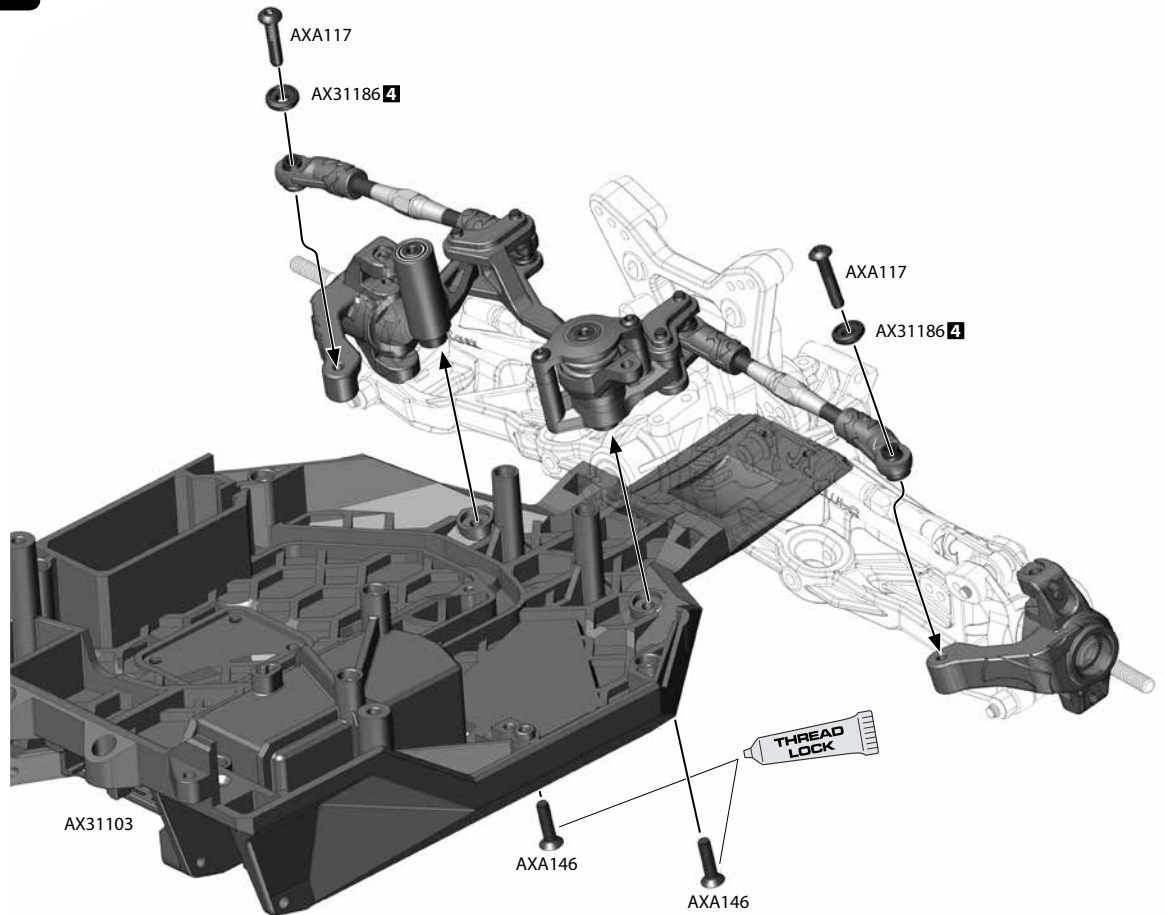


AXA117
M3x15mm x2



AXA146
Hex Socket Flat Head M3x12mm x2

17



20



AXA0109
M3x10mm Oversized Flat Hex Socket **x4**



AXA0113 **x1**
M3x6mm



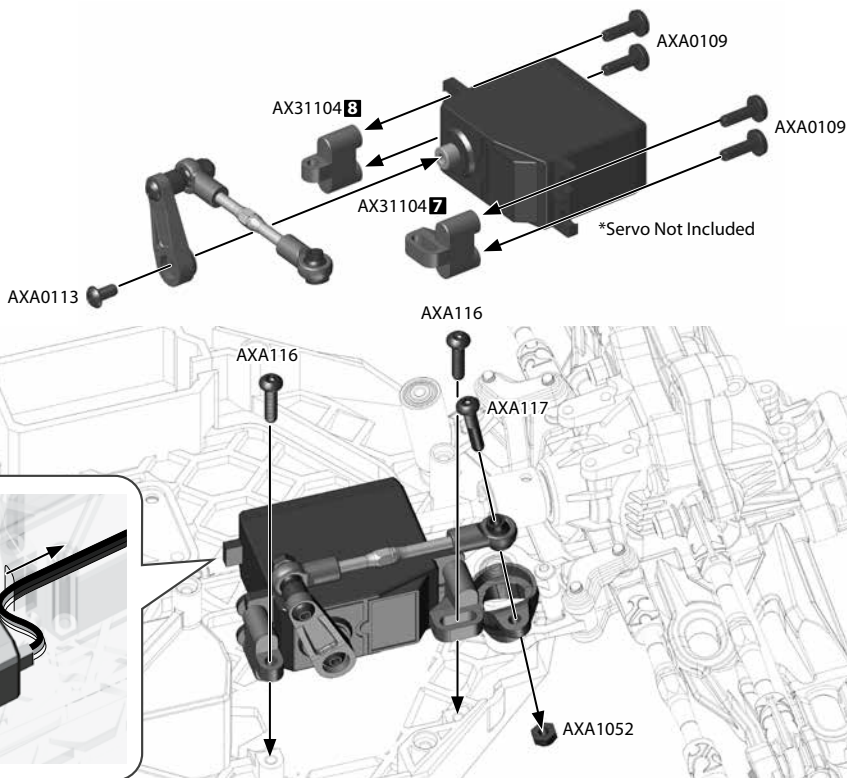
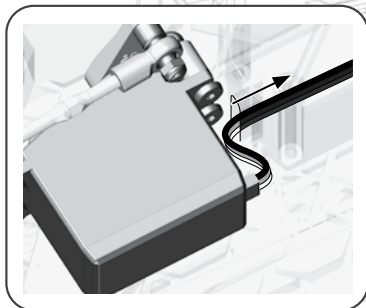
AXA116 **x2**
M3x12mm



AXA117 **x1**
M3x15mm



AXA1052 **x1**
M3 Thin Nylon Locking Hex Nut



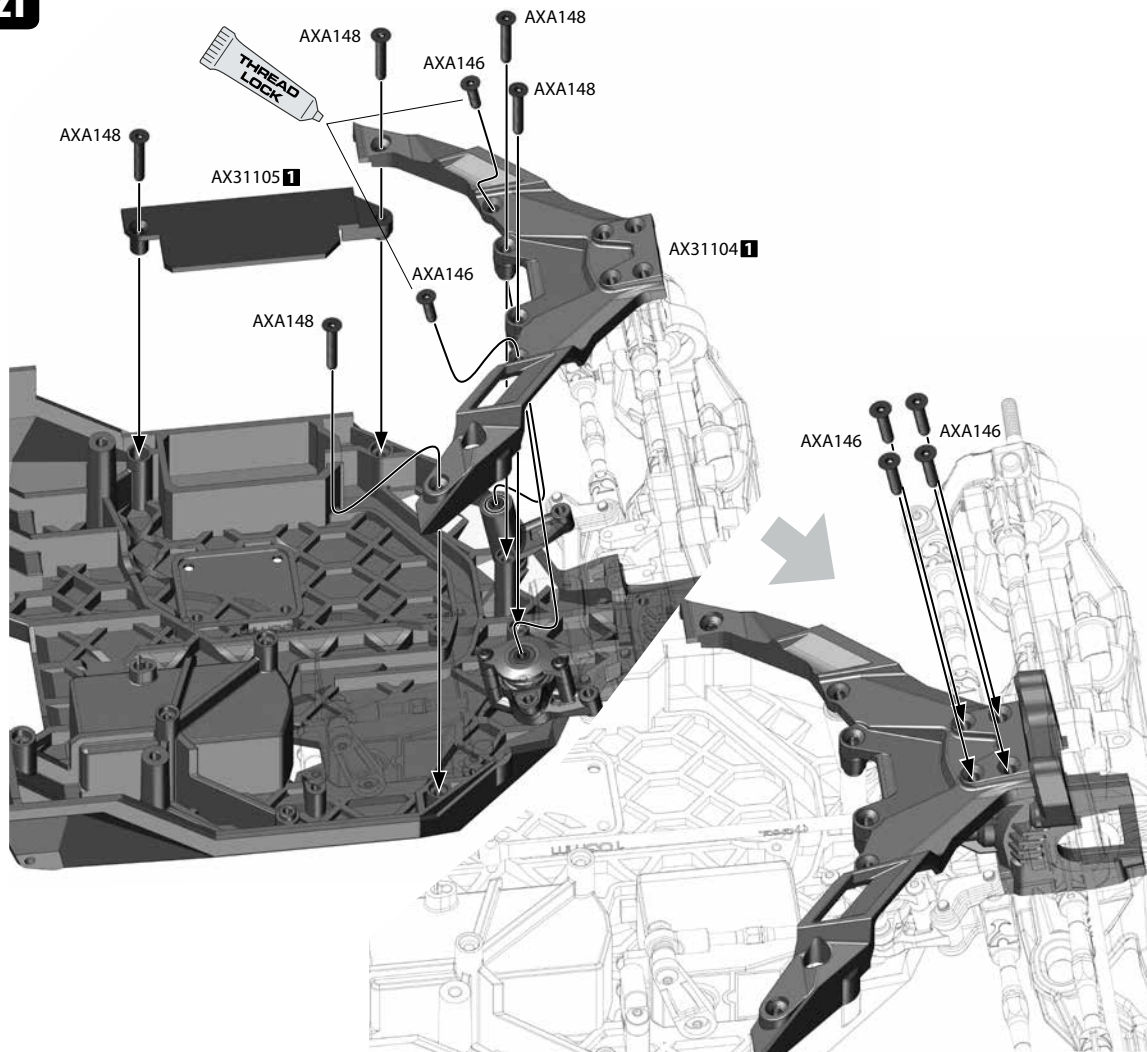
21



AXA146 **x6**
Hex Socket Flat Head M3x12mm



AXA148 **x5**
M3x18mm





AXA117
M3x15mm **x2**



AX31119
M3x35mm HexSocket Button Head **x1**



AXA121
M3x30mm **x1**

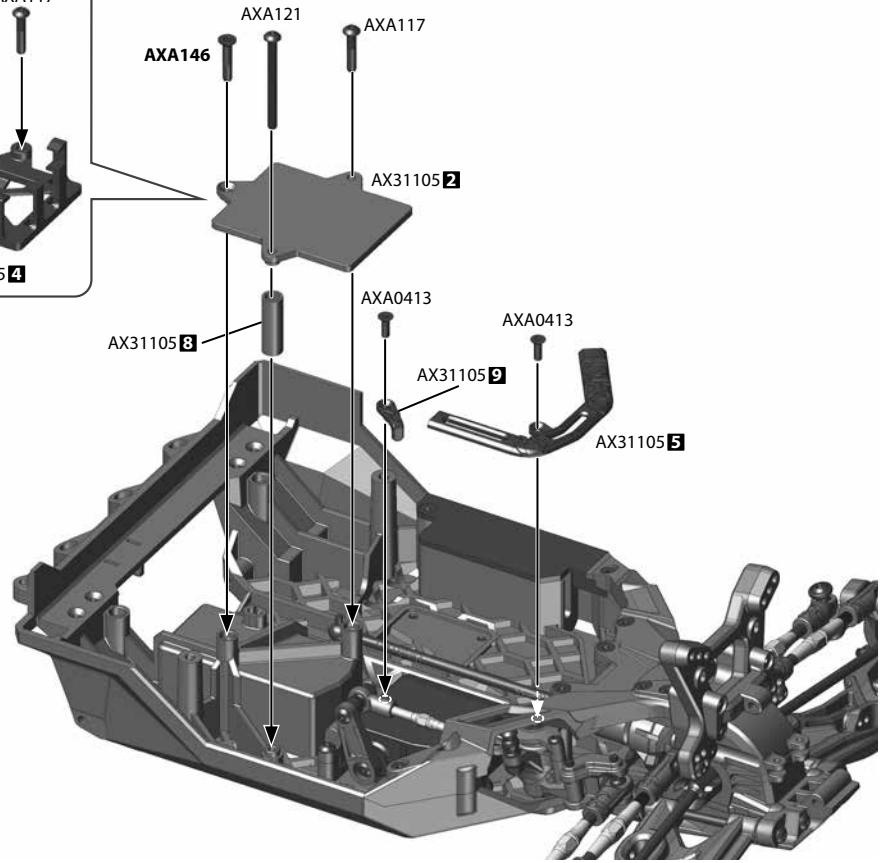
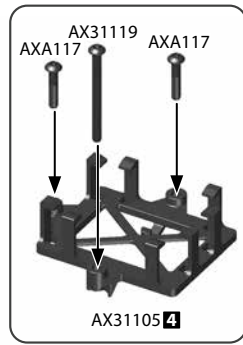


AXA146
M3x12mm **x1**

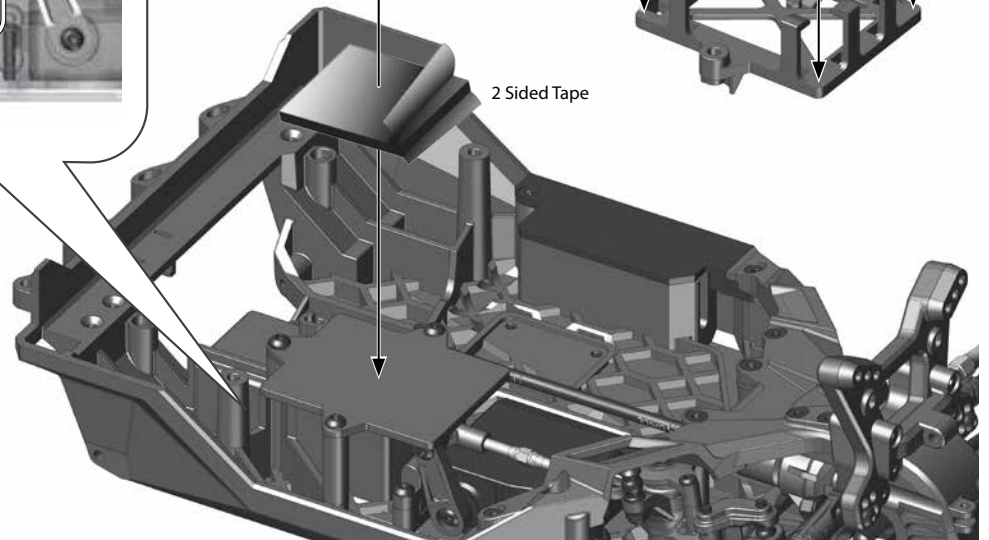
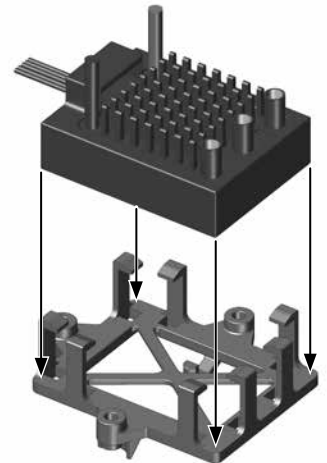
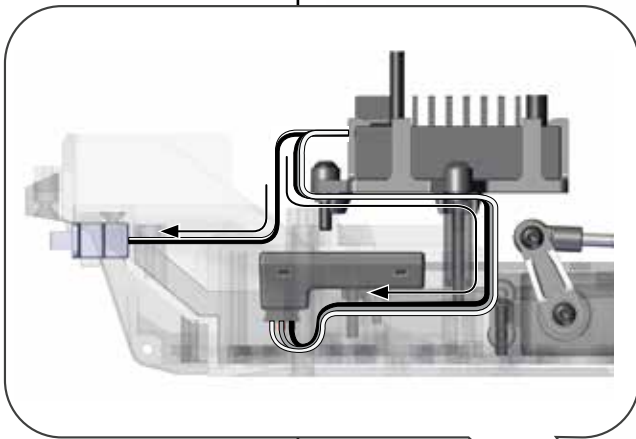


AXA0413
M2.6x8mm **x2**

22

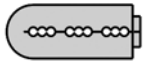


23





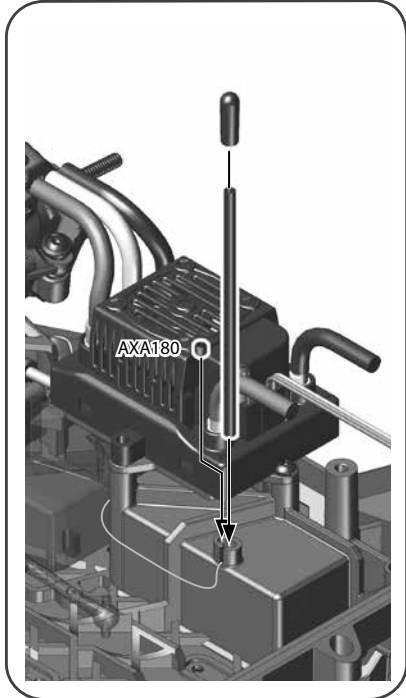
AX31083
Radio Box Seals **x1**



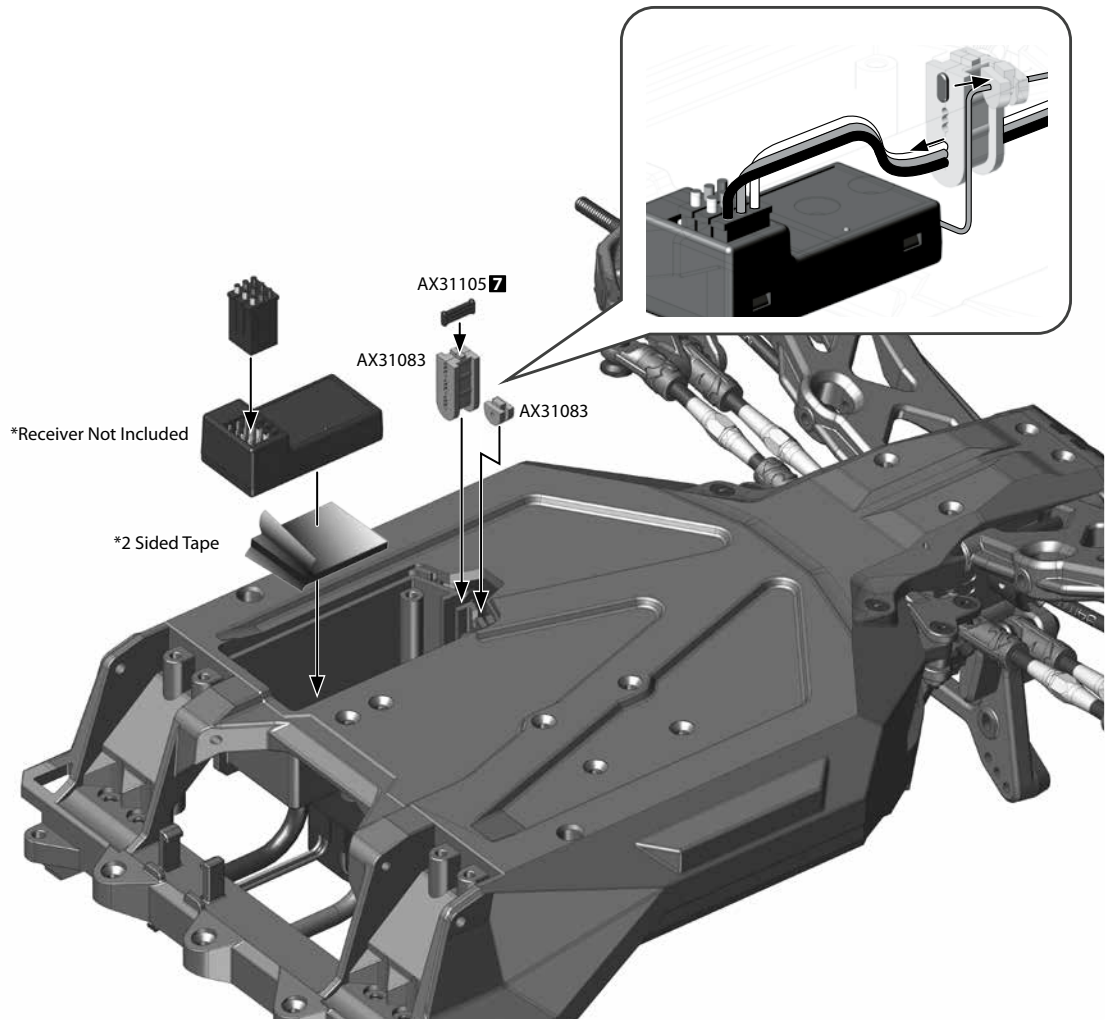
AX31083
Radio Box Seals **x1**



AXA180
M3x3 mm **x1**



24



*Receiver Not Included

*2 Sided Tape

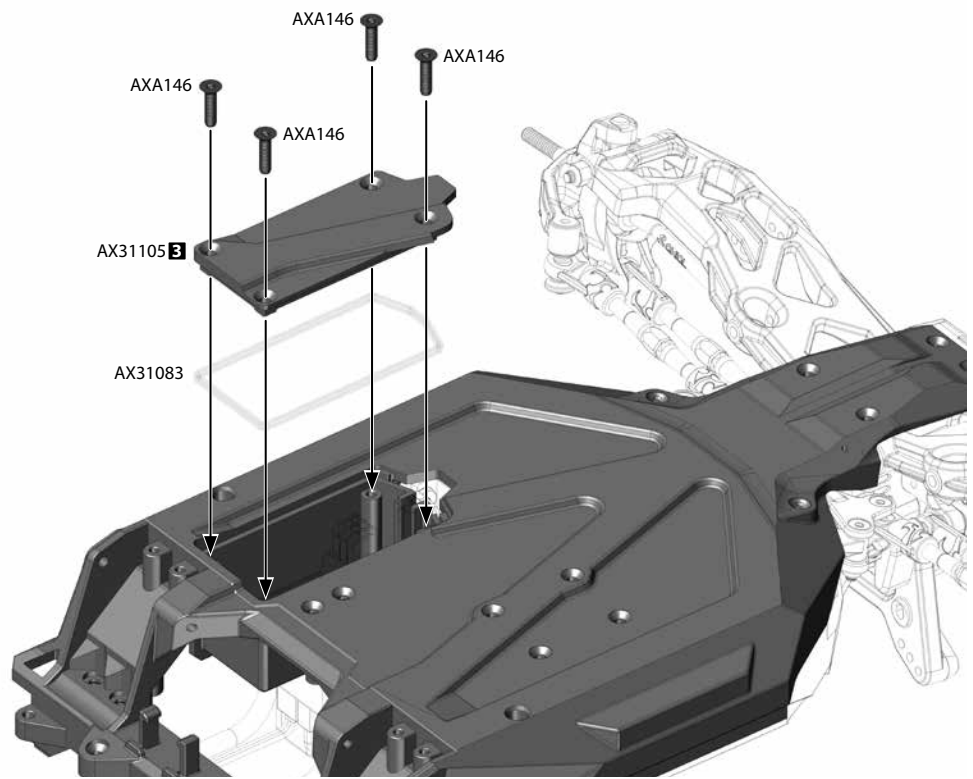


AXA146
Hex Socket Flat Head M3x12mm **x4**

25



AX31083
Radio Box Seals **x1**



AX30163
Pin 2x10mm **x2**

AXA1391
E4 e-clip **x2**

AXA1221
Bearing 5x11x4mm **x4**

AX31130
High Speed Transmission
Gear Set 26T **x1**

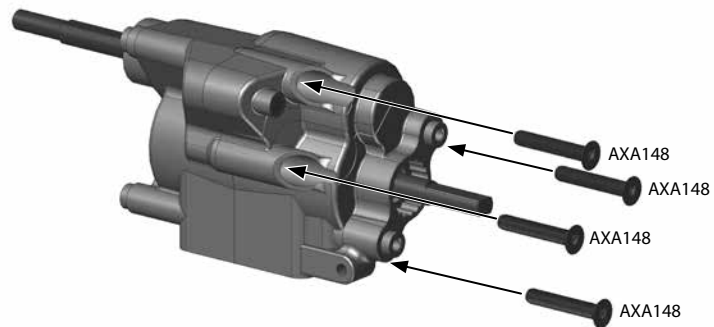
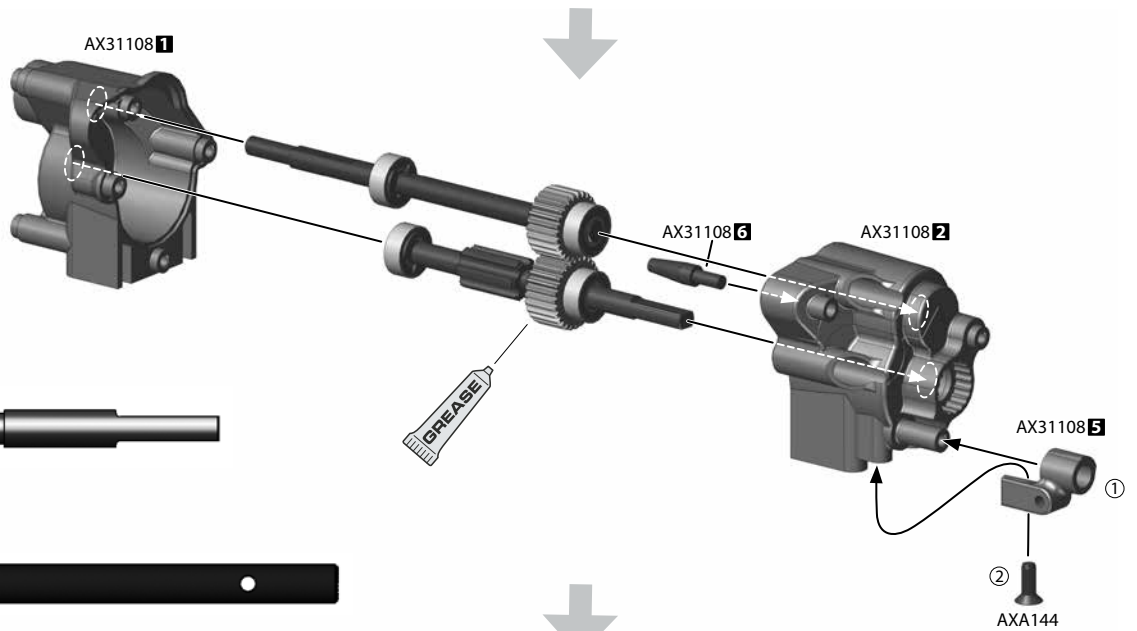
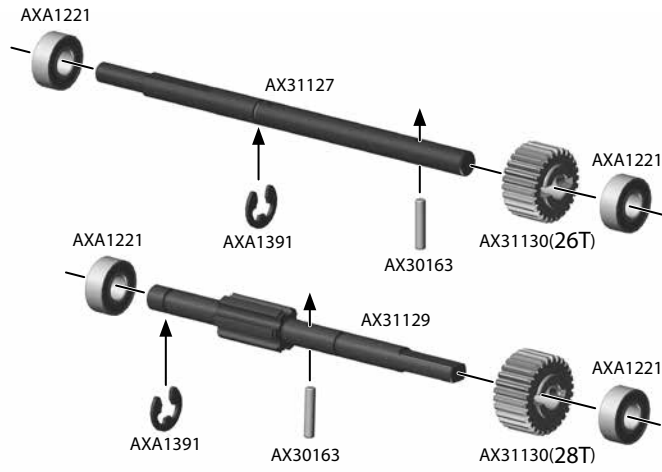
AX31130
High Speed Transmission
Gear Set 28T **x1**

AX31129
2-Speed Hi/Lo Transmission Bottom
Shaft (5x75mm) **x1**

AX31127
2-Speed Hi/Lo Transmission Top
Shaft (5x91mm) **x1**

AXA144
M3x8mm **x1**

AXA148
M3x18mm **x4**



AX30163
Pin 2x10mm **x1**

AX31131
T-Case Gear Set **x1**

AX31134
2-Speed Hi/Low Transmission Output Shaft **x1**

AXA1221
Bearing 5x11x4mm **x6**

AX31131
T-Case Gear Set **x1**

AX31131
T-Case Gear Set **x1**

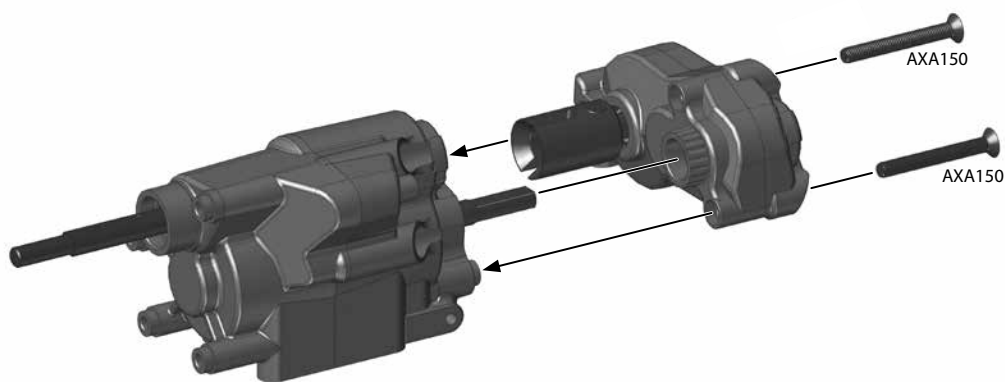
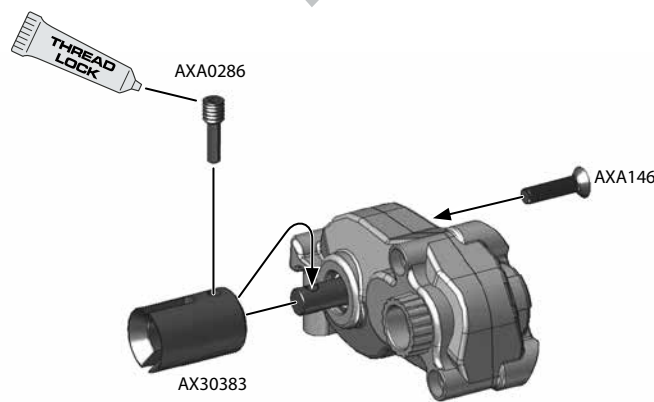
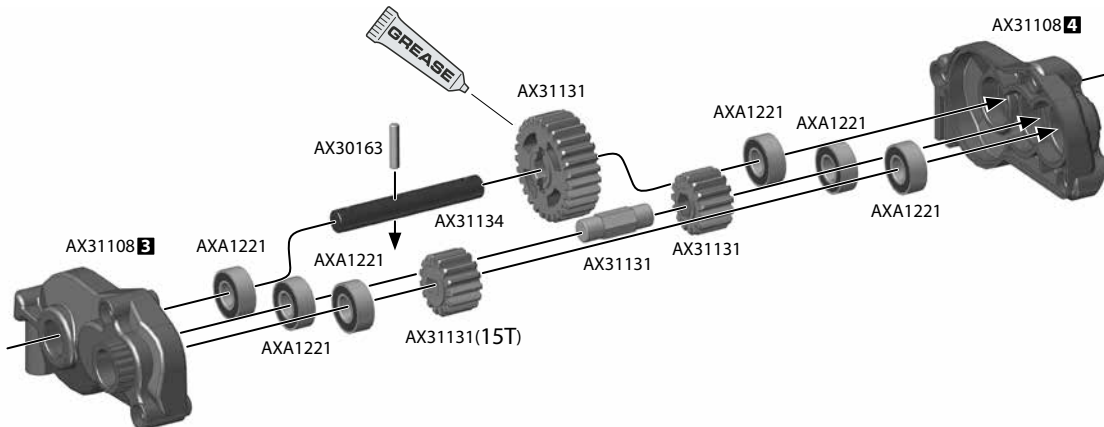
AX31131
T-Case Gear Set **x1**

AXA0286
M4x12mm **x1**

AX30383
EXO Heavy Duty Differential Input Shaft **x1**

AXA146
Hex Socket Flat Head M3x12mm **x1**

AXA150
M3x25mm **x2**

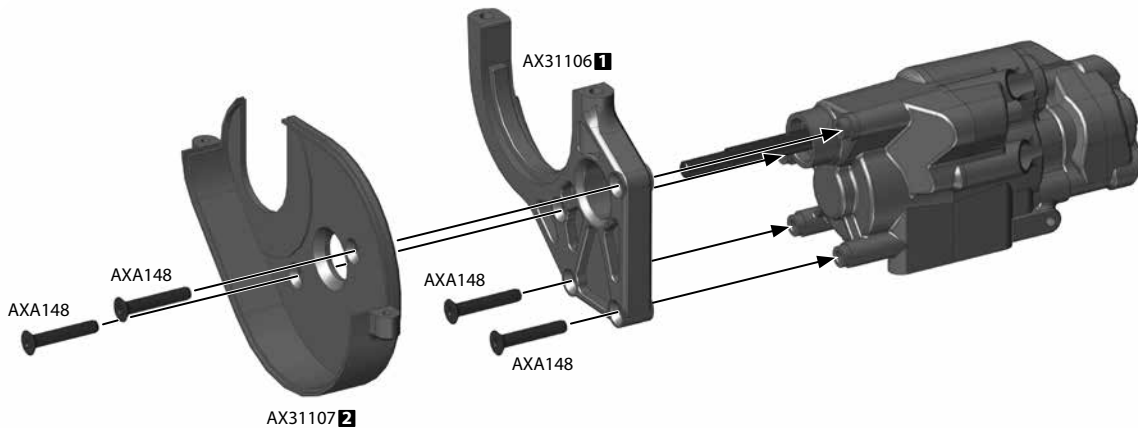




AXA148
M3x18mm

x4

28



Option Parts



AX31156
Machined Adjustable Motor Mount (Hard Anodized)



AX30413
Slipper Spring 8.5x12

x1



AXA1045
M4 Nylon Lock Nut

x1

29

Option Parts

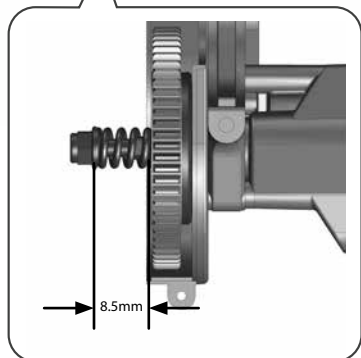
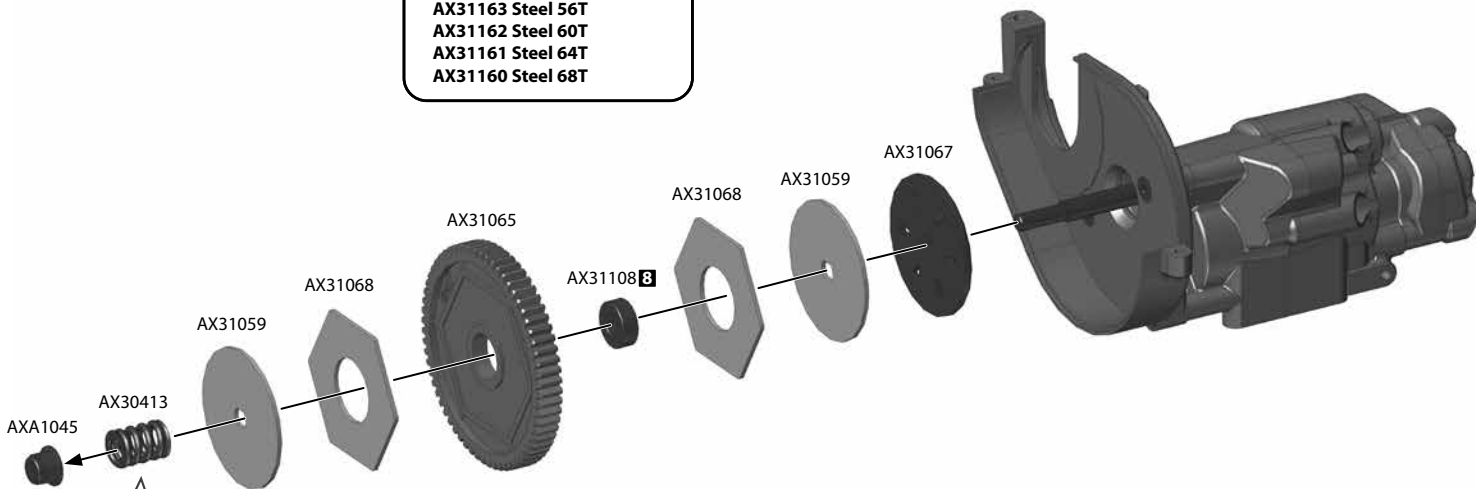


AX31163 Steel 56T
AX31162 Steel 60T
AX31161 Steel 64T
AX31160 Steel 68T

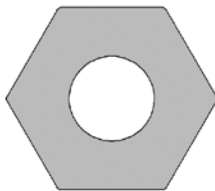
Option Parts



AX31164
Machined Slipper Plate (Hard Anodized) (2pcs)



AX31059
Slipper Plate 1mm x2



AX31068
Slipper Pad 1mm x2



AX31067
Slipper Plate x2



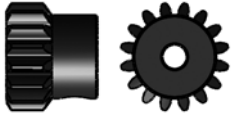
AX31065
64T Spur Gear x1



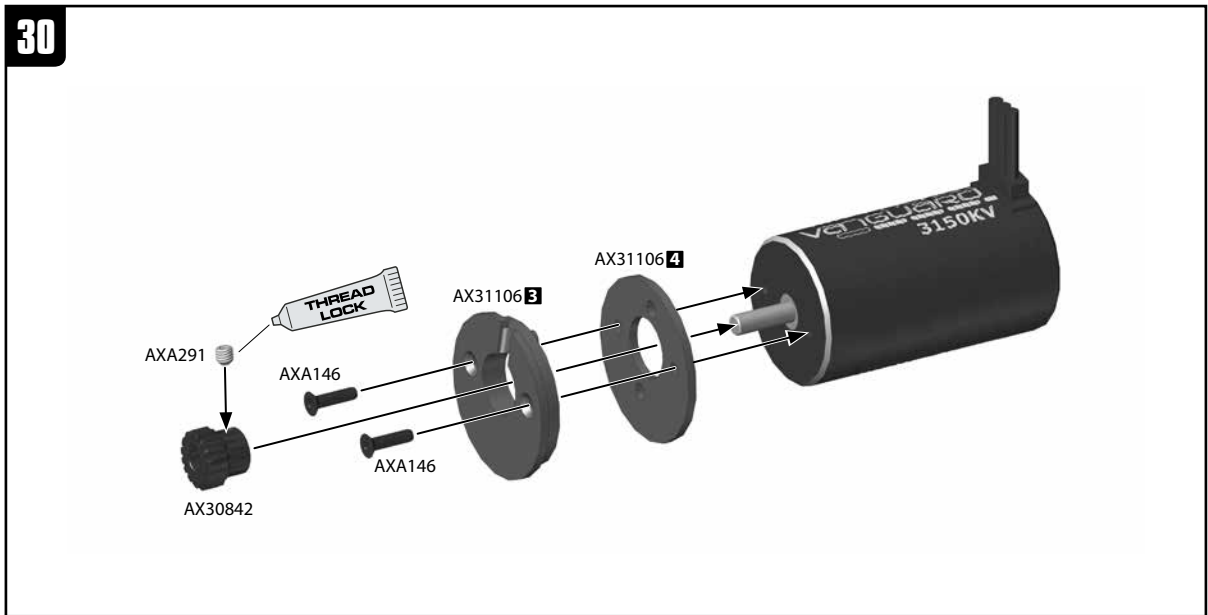
AXA291
M4x4mm Set Screw (Black) **x1**



AXA146
Hex Socket Flat Head M3x12mm **x2**



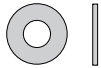
AX30842
Pinion Gear 32P 16T - Steel
(5mm Motor Shaft) **x1**



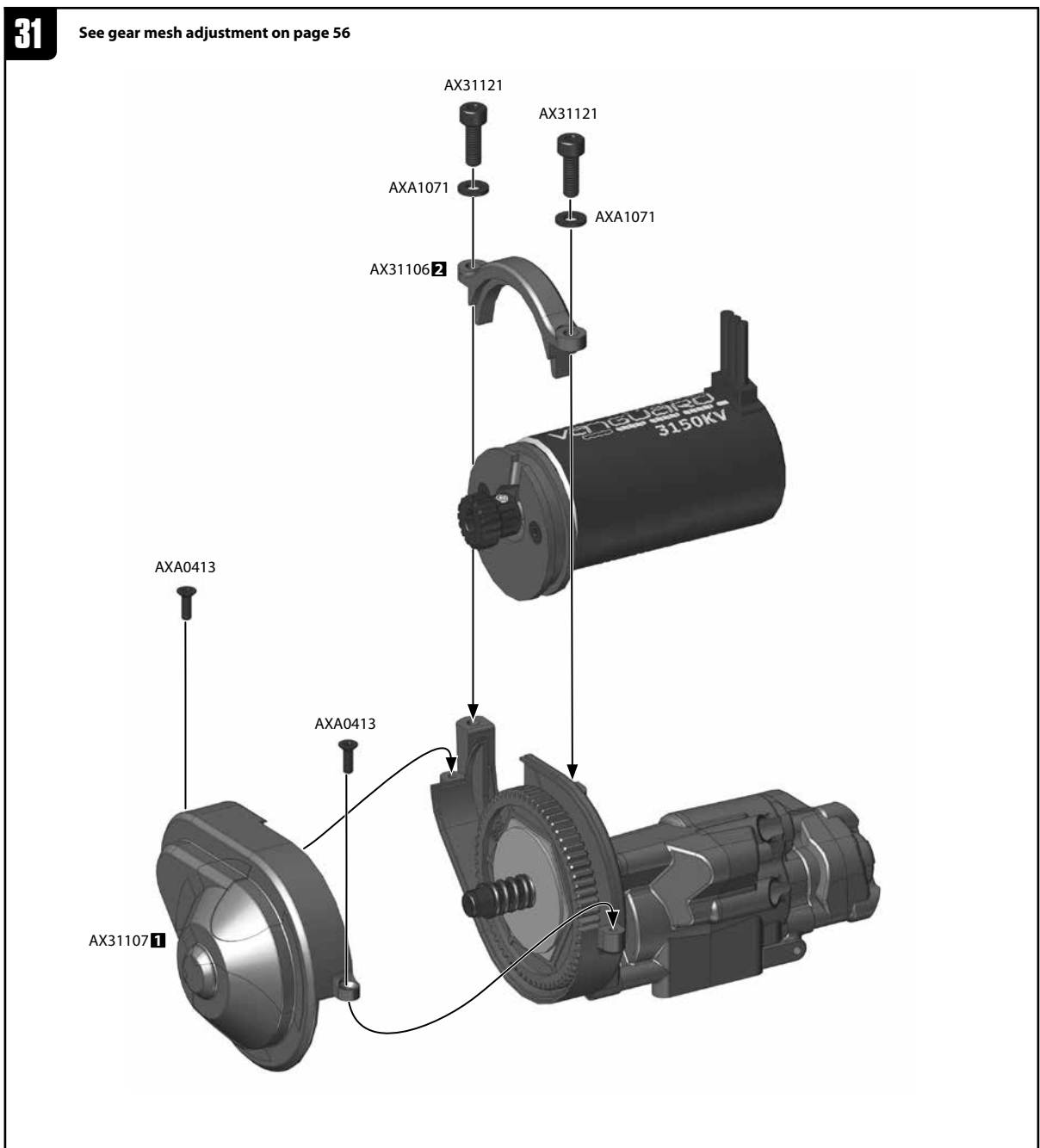
AX31121
M4x12mm **x2**



AXA0413
M2.6x8mm **x2**



AXA1071
Washer 4x8x0.5mm **x2**

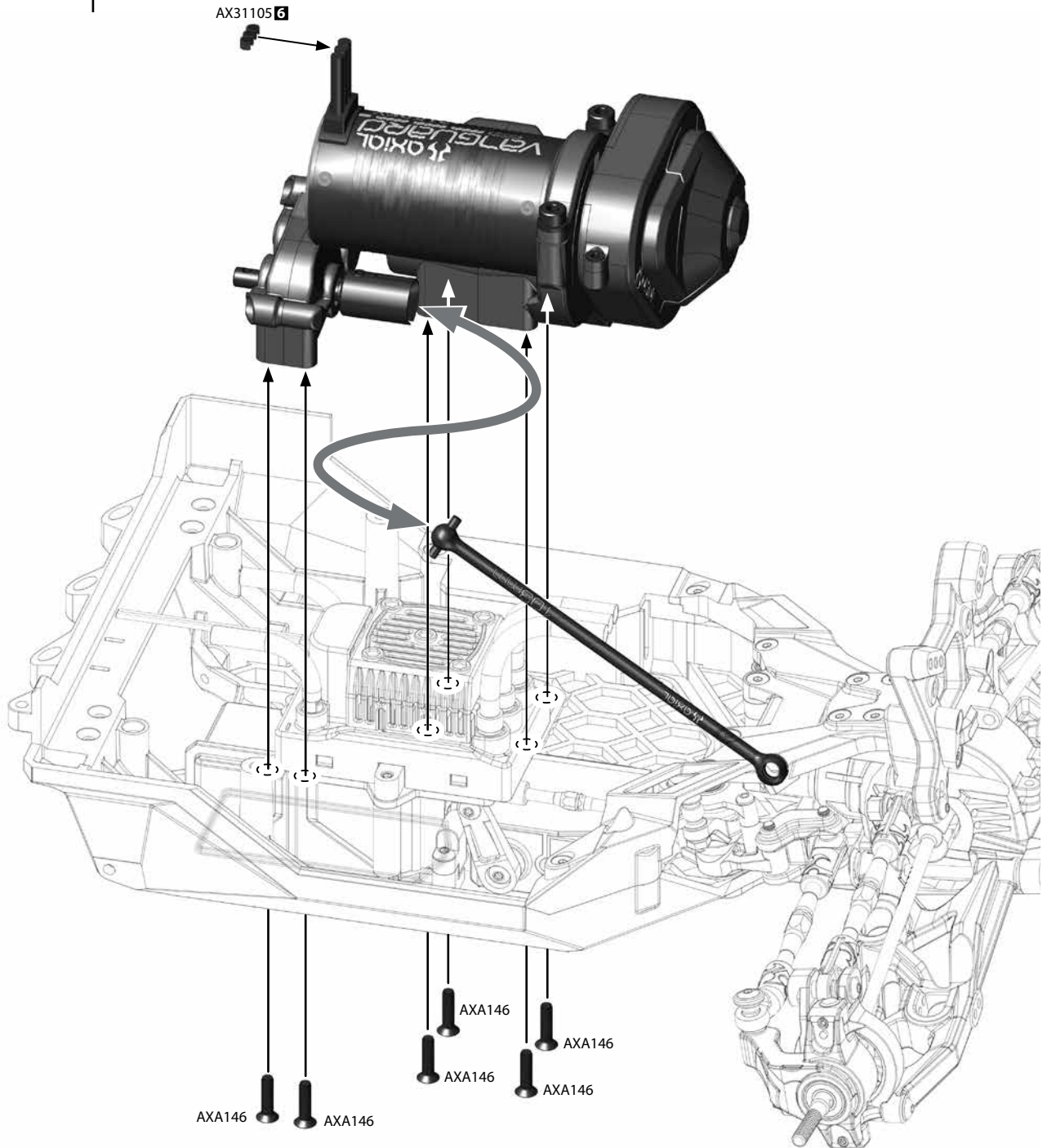




AXA146
M3x12mm

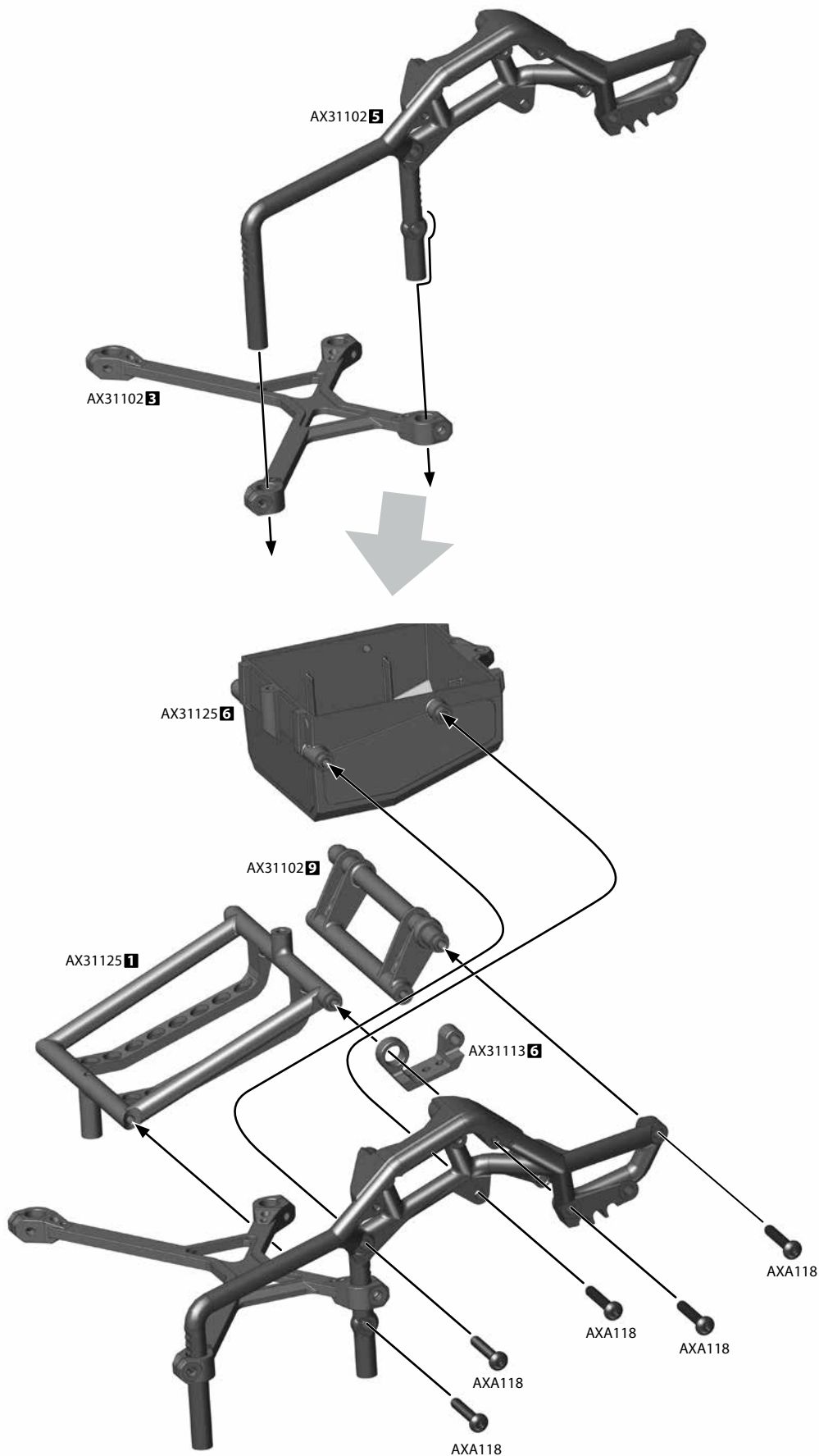
x6




32

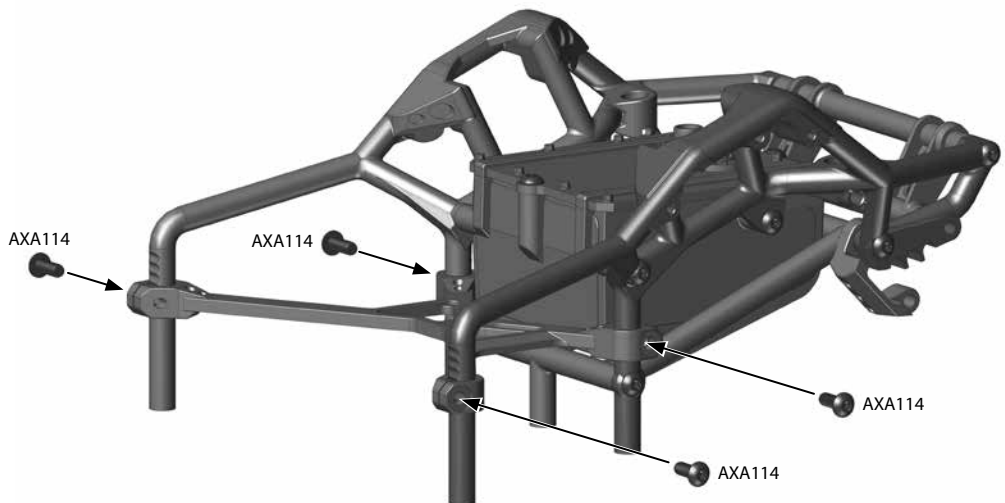
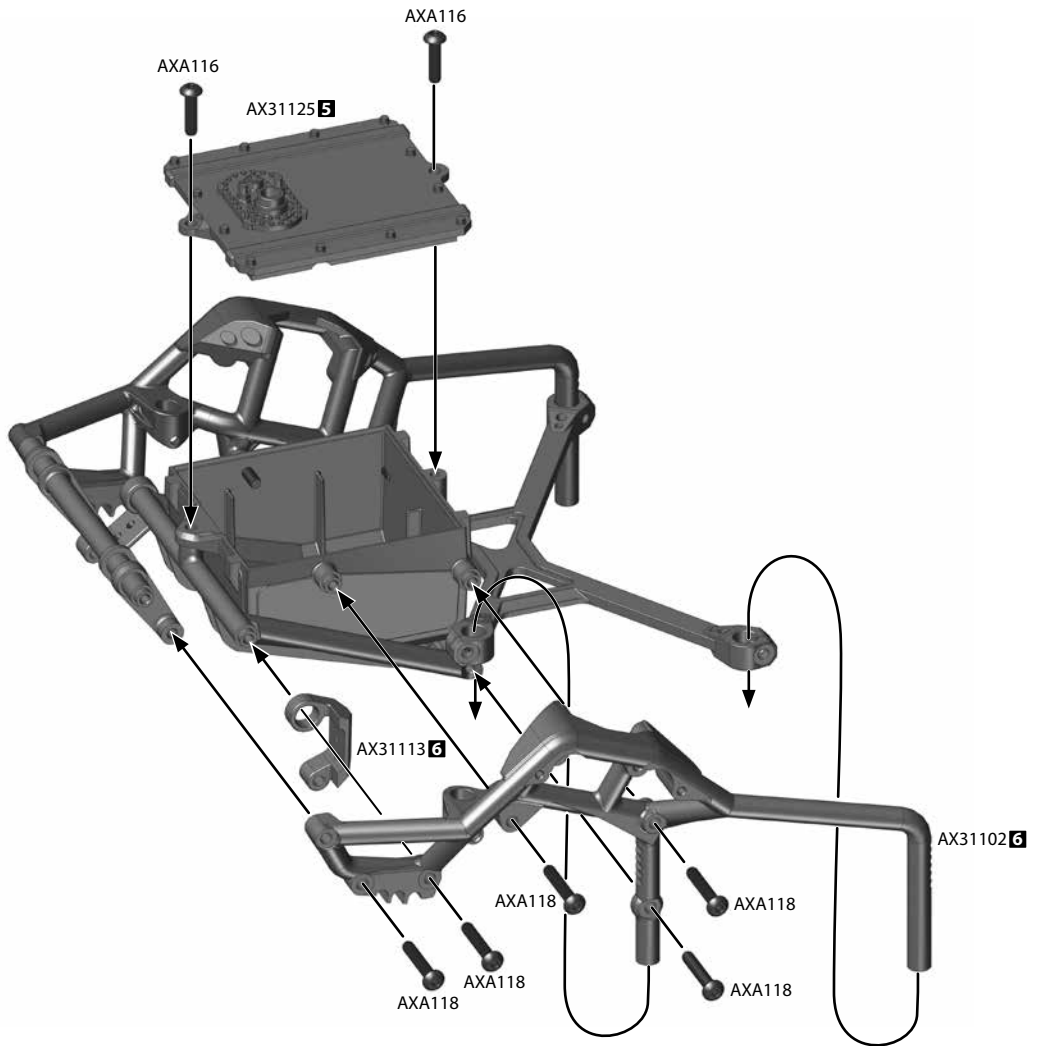


E**Open Bag E****3****Open Plastic Bag 3****33**

See battery tray access and setup on page 55

**AXA118**
M3x18mm**x5****Option Parts****AX31167**
Machined Sway Bar Clamp (Hard Anodized) (2pcs)

-  **AXA114**
M3x8mm **x4**
-  **AXA116**
M3x12mm **x2**
-  **AXA118**
M3x18mm **x5**

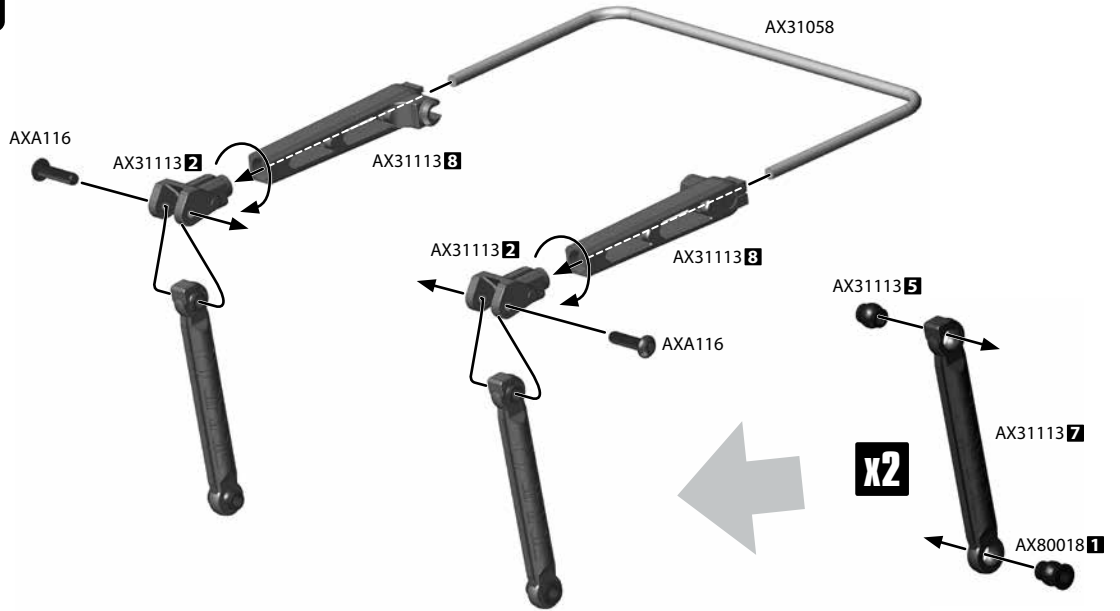




AXA116
M3x12mm

x2

35



AXA118
M3x18mm

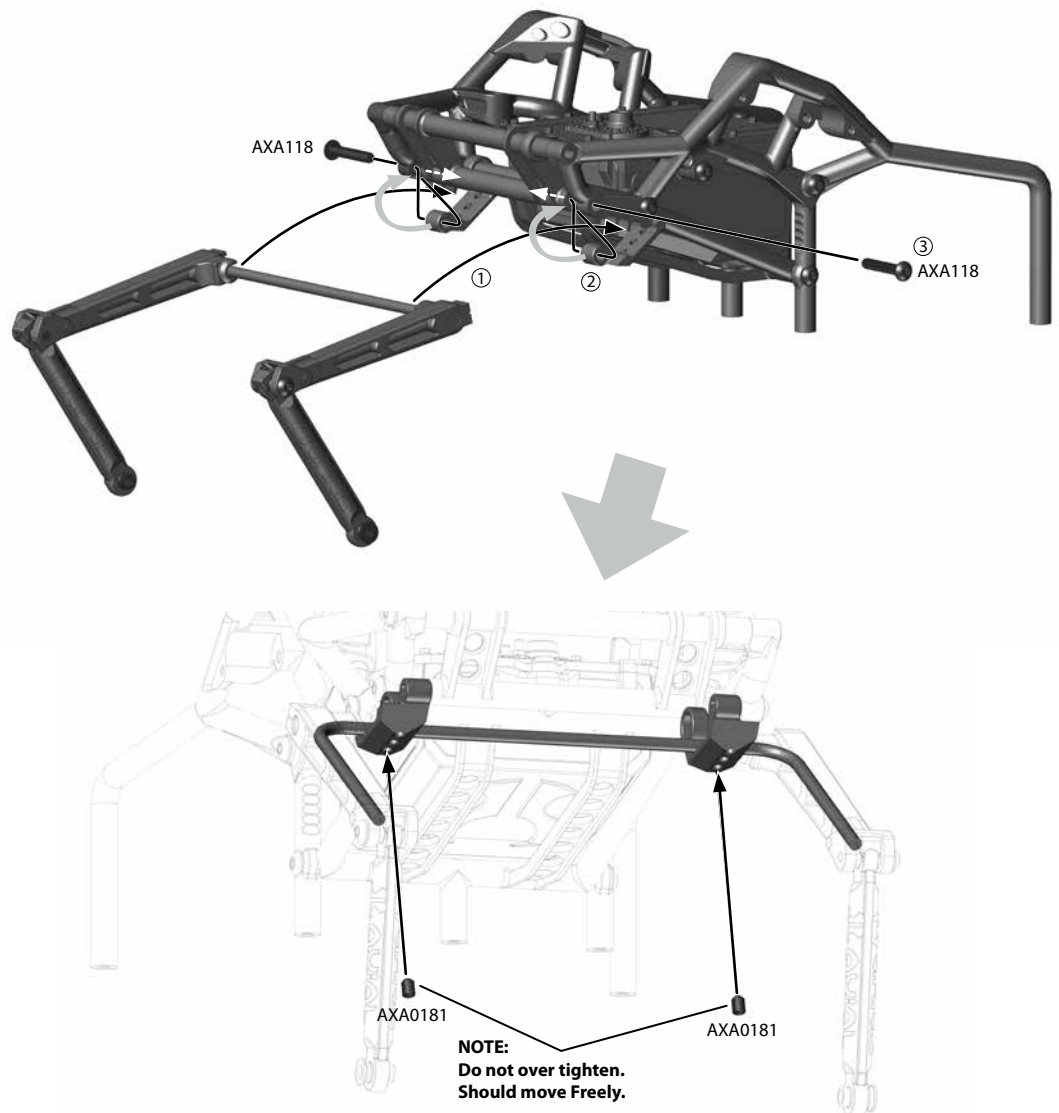
x2



AXA0181
M3x4mm Set Screw (Black)

x2

36



AX31148
4.5x6.5mm joint Pin **x1**

AX31028
Pin 2x11mm **x1**

AXA0286
m4x12mm **x1**

AX31148
WB8-HD Driveshaft Coupler Set **x1**

AX31148
WB8-HD Driveshaft Coupler Set **x1**

AXA144
M3x8mm **x1**

AX31148
4.5x6.5mm joint Pin **x1**

AX31028
Pin 2x11mm **x1**

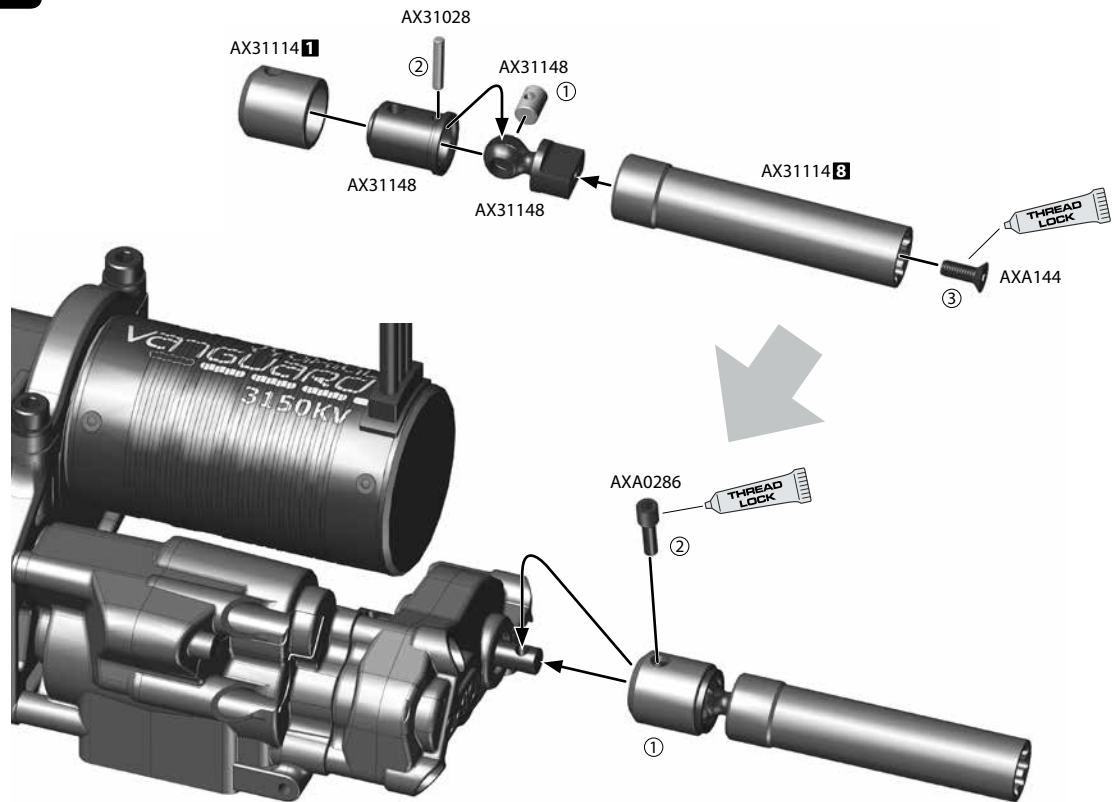
AXA0286
m4x12mm **x1**

AX31148
WB8-HD Driveshaft Coupler Set **x1**

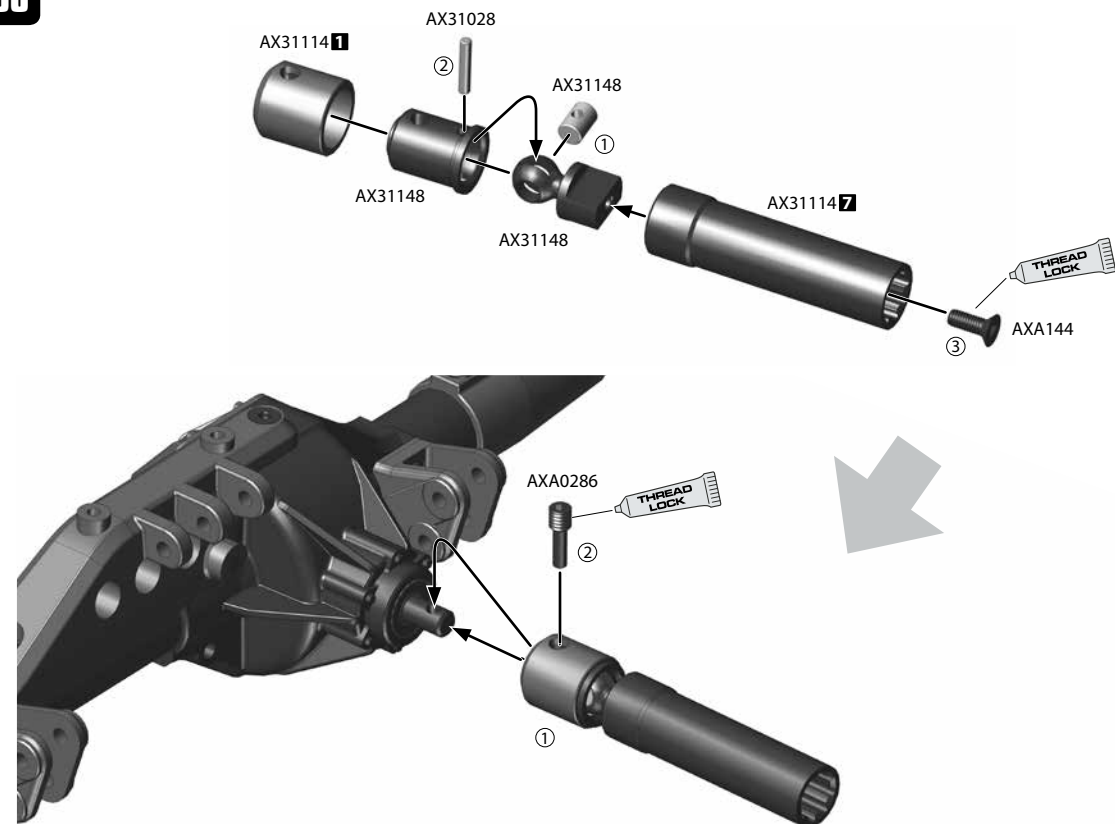
AX31148
WB8-HD Driveshaft Coupler Set **x1**

AXA144
M3x8mm **x1**

37



38





AXA146

M3x12mm

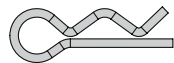
x2



AXA0147

M3x16mm

x1

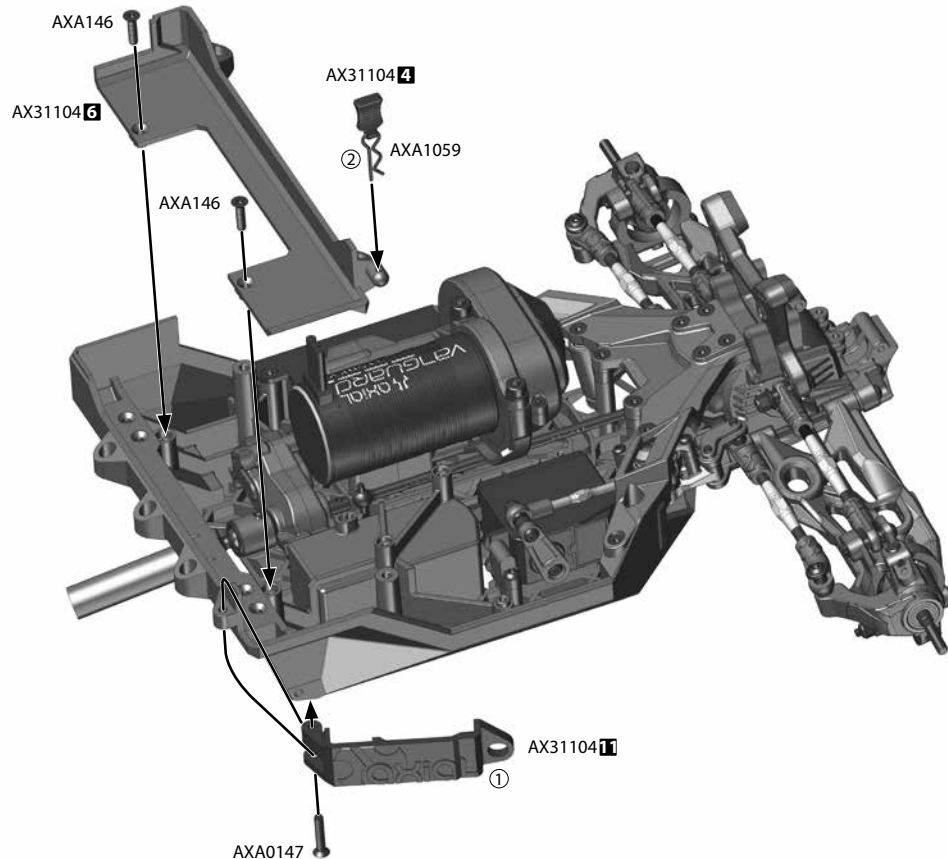


AXA1059

6mm Body Clip

x1

39



AXA087

M3x16mm

x2



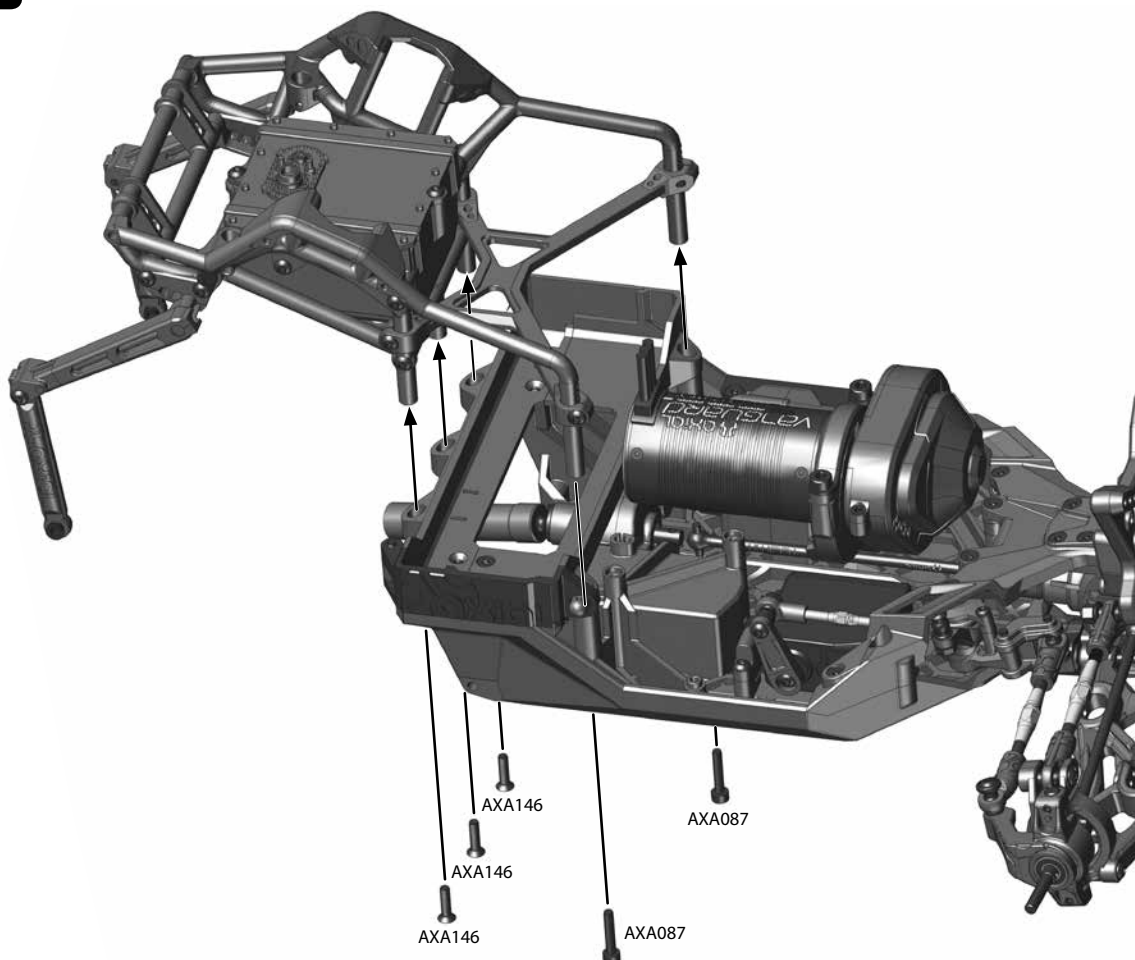
AXA146

M3x12mm

x3

40

See battery tray access and setup on page 55

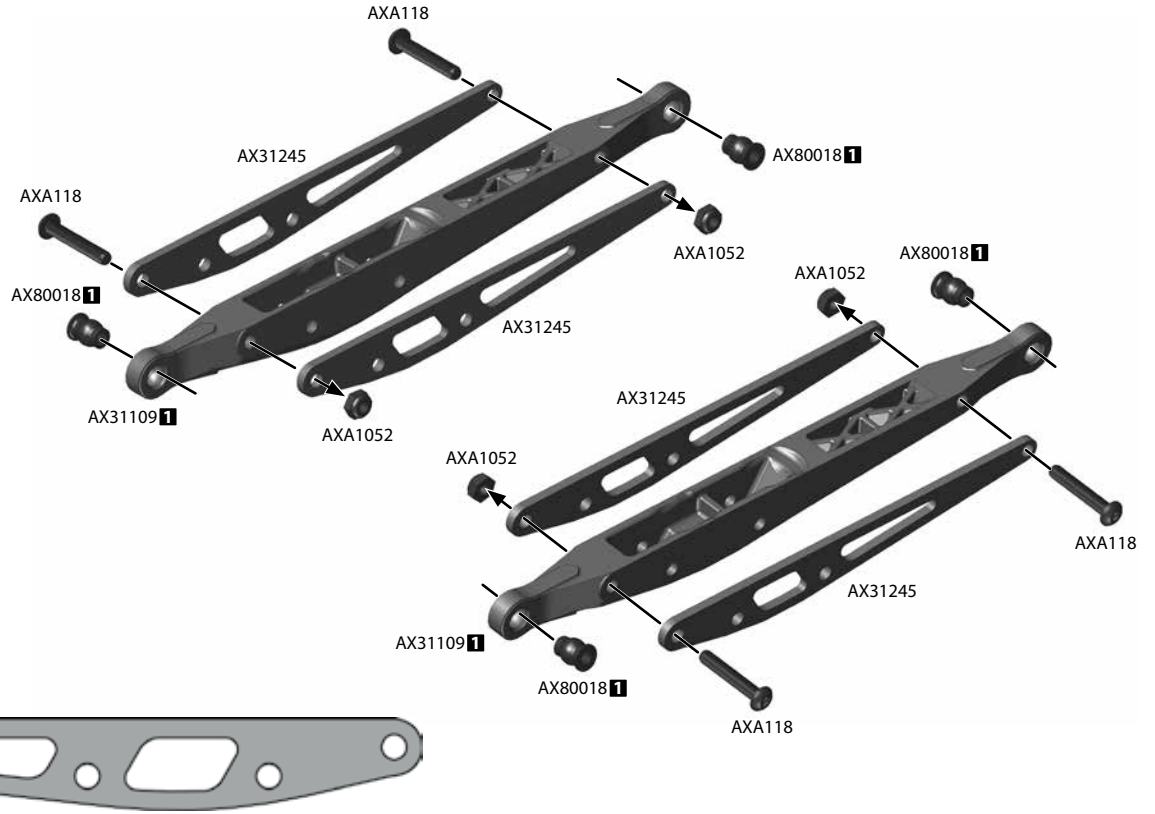




AXA1052
M3 Thin Nylon Locking Hex Nut **x4**



AXA118
M3x18mm **x4**



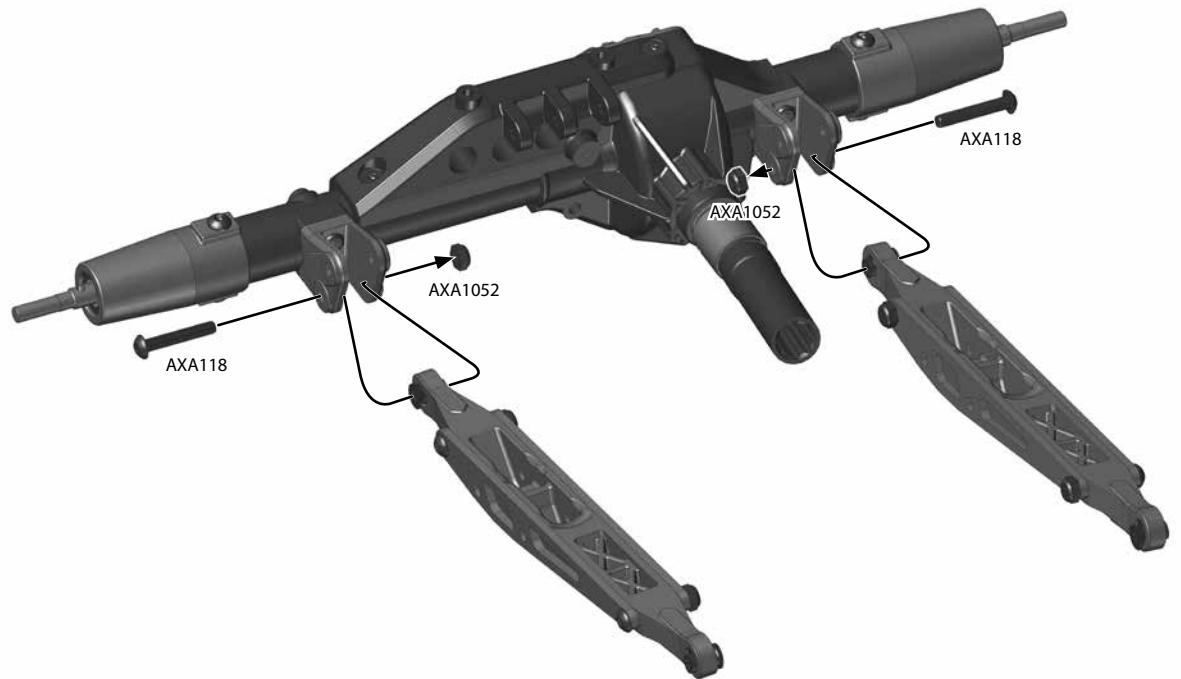
AX31245
Stamped Link Plate 1 Lower **x4**



AXA118
M3x18mm **x2**



AXA1052
M3 Thin Nylon Locking Hex Nut **x2**



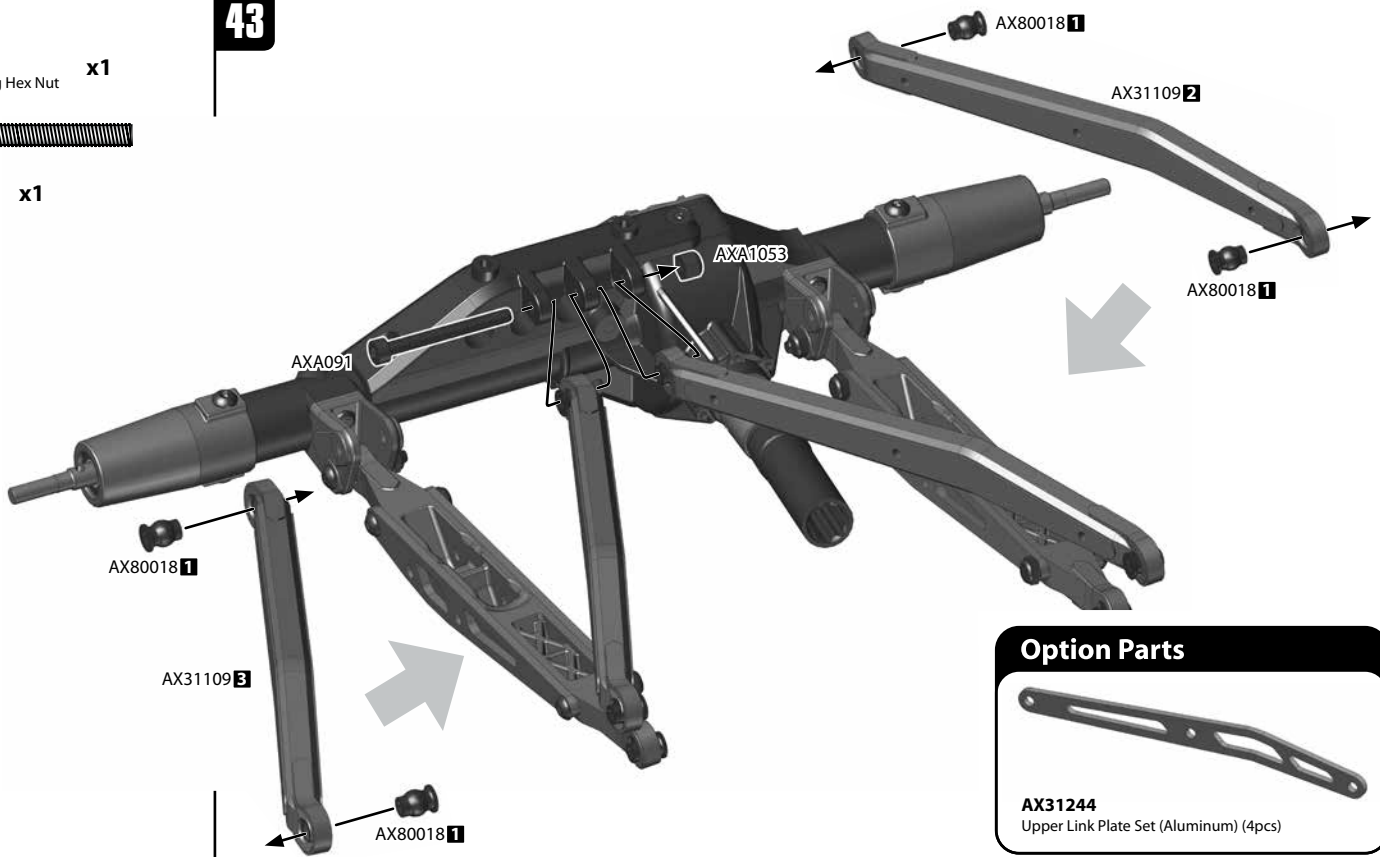


AXA1053
M3 Nylon Locking Hex Nut **x1**



AXA091
M3x30mm **x1**

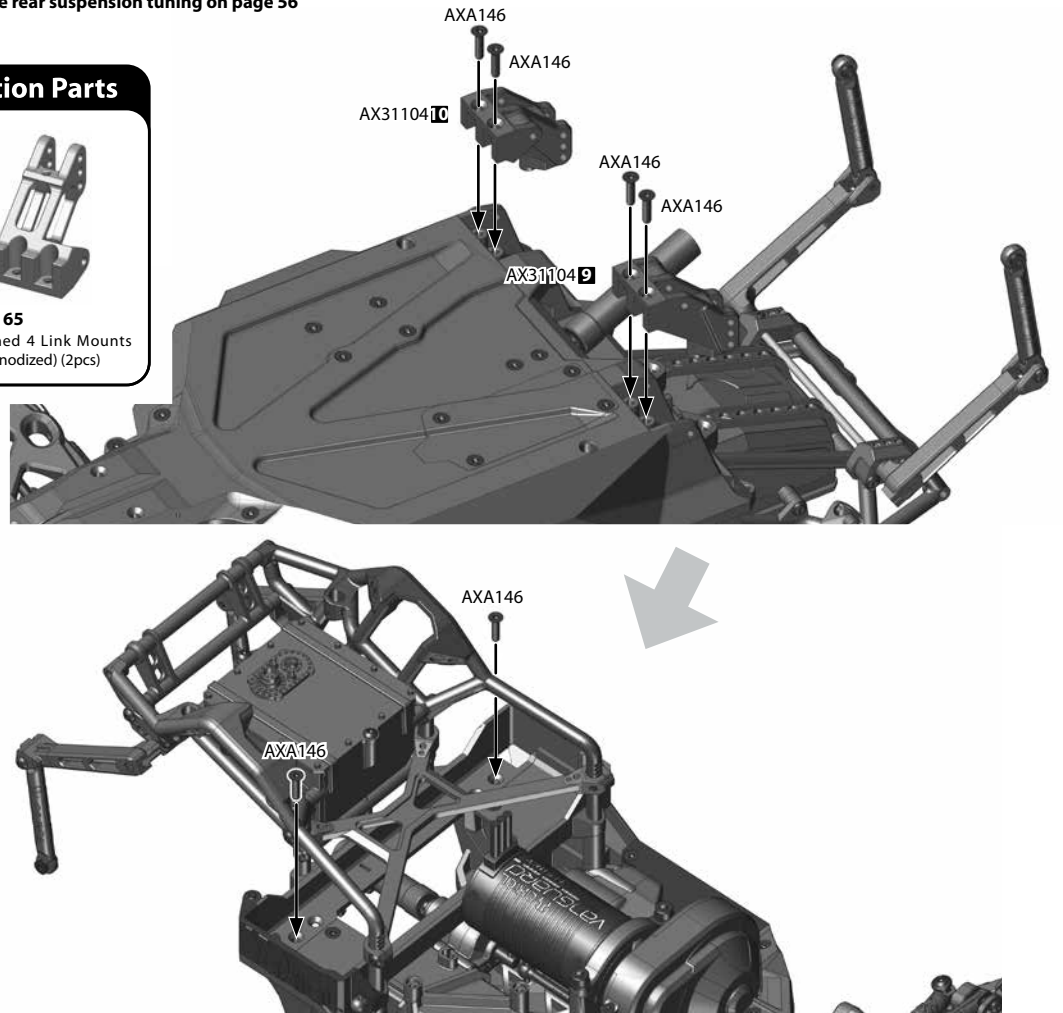
43



AXA146
Hex Socket Flat Head M3x12mm **x6**

44

See rear suspension tuning on page 56





AXA119
M3x20mm **x2**

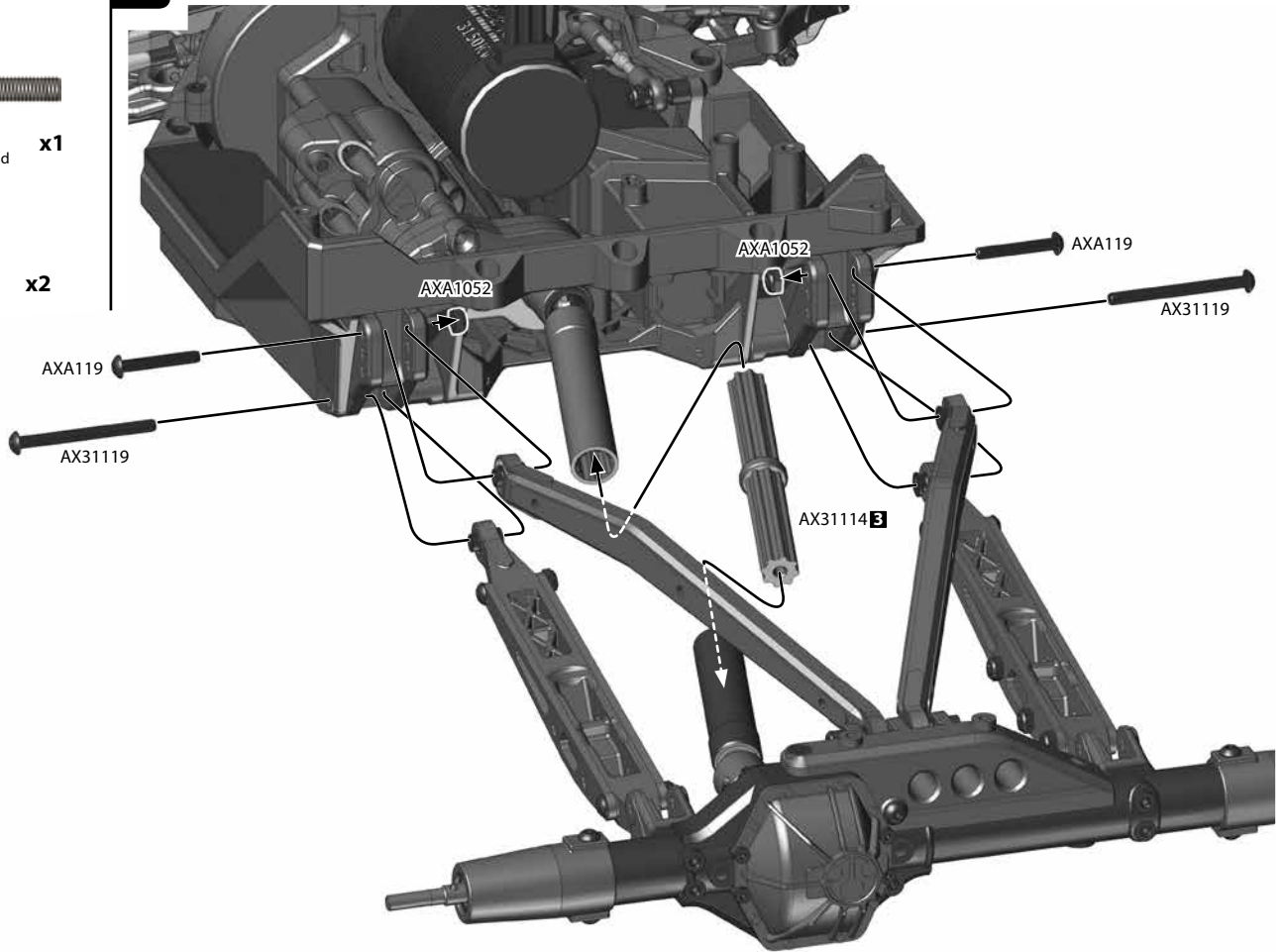


AX31119
M3x35mm HexSocket Button Head **x1**



AXA1052
M3 Thin Nylon Locking Hex Nut **x2**

45 See rear suspension tuning on page 56

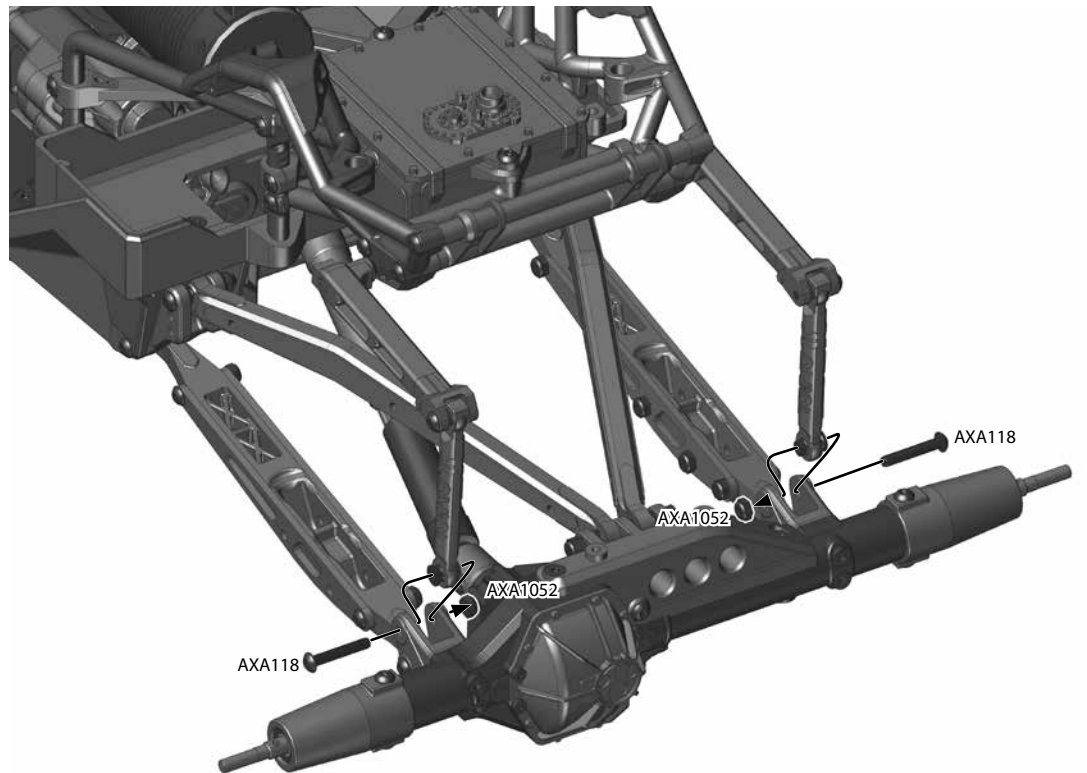


AXA118
M3x18mm **x2**



AXA1052
M3 Thin Nylon Locking Hex Nut **x2**

46



AXA1041
M2.5 Nylon Lock Nut **x4**

AX30113
Rubber Bump Stop 3.6x7x4 **x4**

AXA1202
O-Ring 3.5x2mm **x8**

AXA1184
O-Ring 7.5x1.5mm **x4**

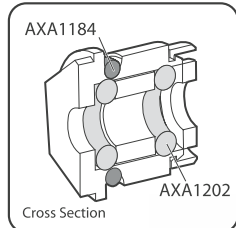
AXA1069
WASHER 2.7x6.7x0.5 **x8**

AX30438
Axial Delrin 10mm Machined Piston-1.2 **x4**

AX3118
Aluminum Shock Body 12x59mm **x1**

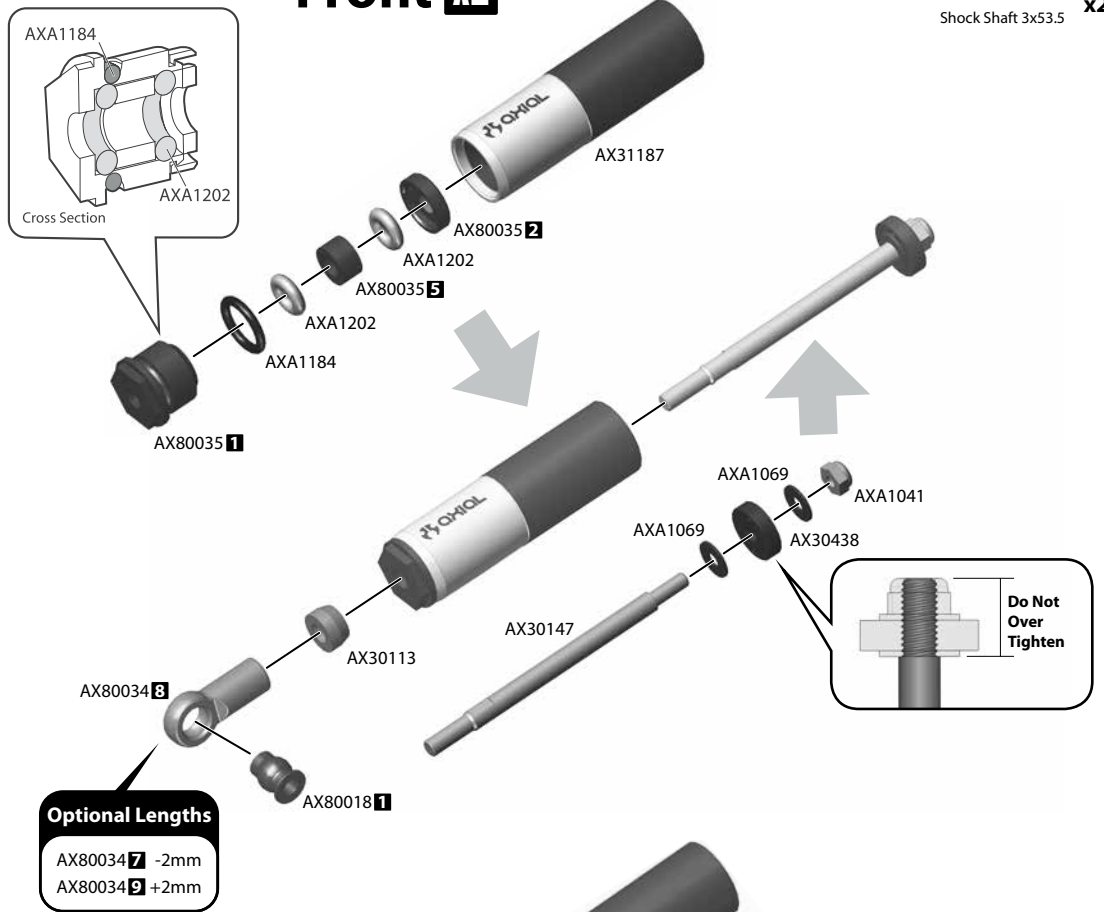
AX31187
Aluminum Shock Body 12x41.5mm **x1**

Front x2

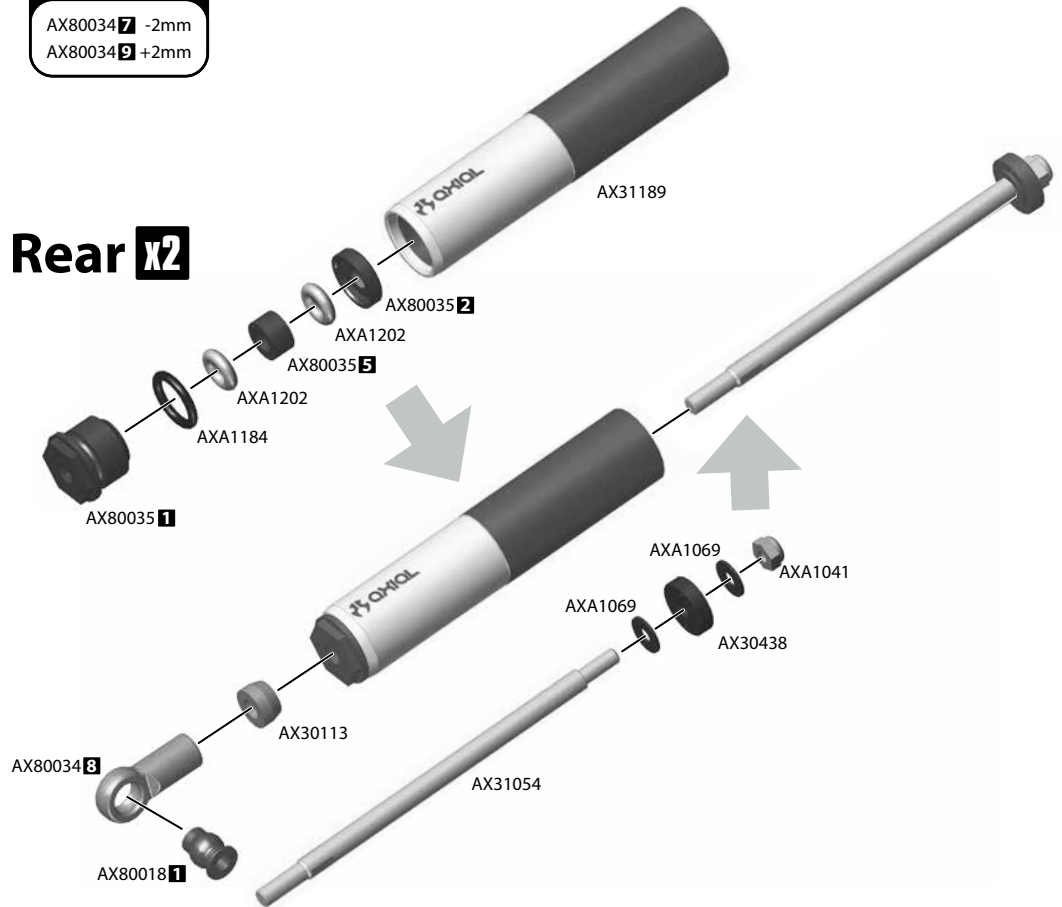


AX31054
Shock Shaft 3x71 **x2**

AX30147
Shock Shaft 3x53.5 **x2**



Rear x2

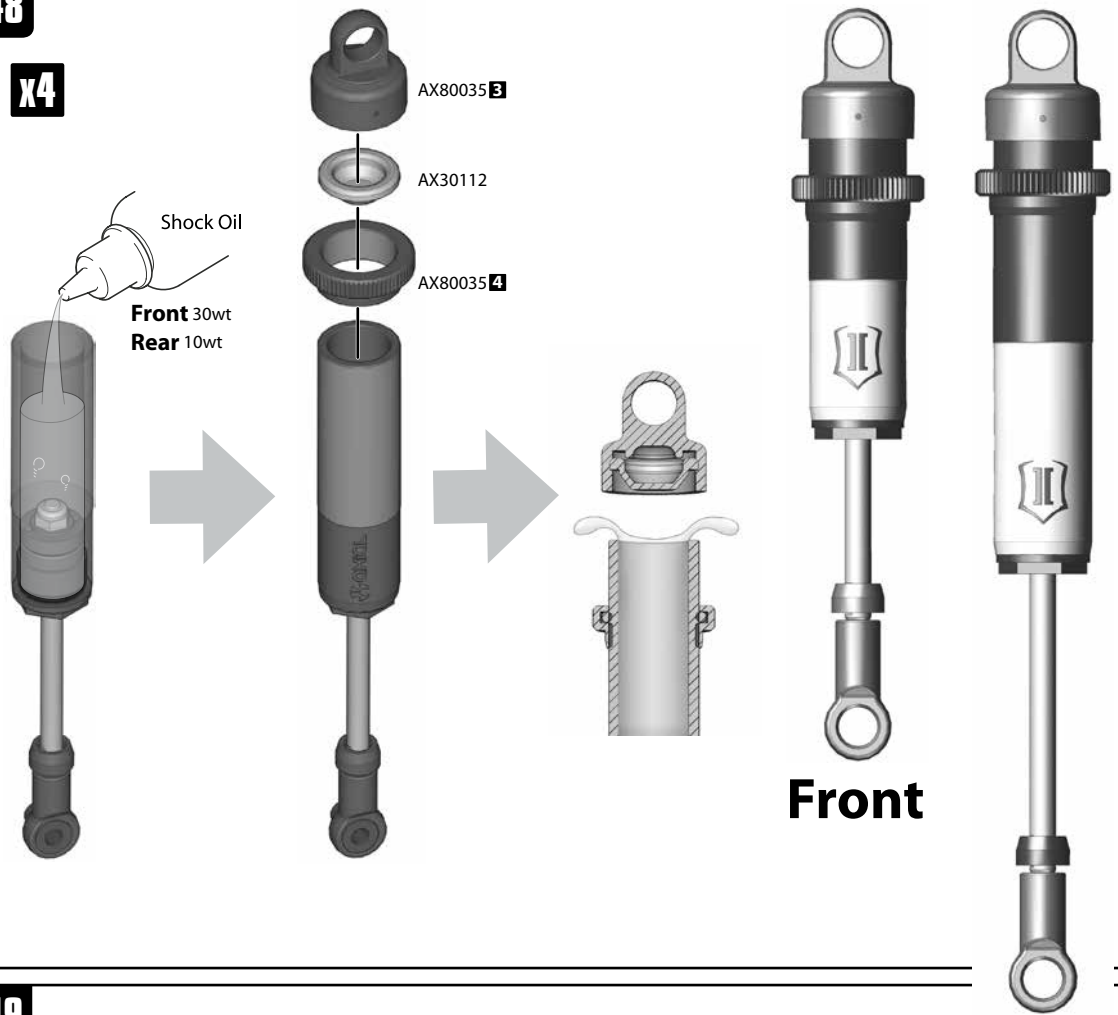




AX30112
Shock Diaphragm 13x4.5mm **x4**

48

x4



Option Parts



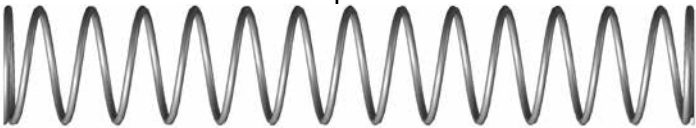
(AX31136)

- AX30213**
Spring 14x90mm 1.32 lbs/in - (Red)
- AX30214**
Spring 14x90mm 1.71 lbs/in - (White)
- AX30215**
Spring 14x90mm 2.25 lbs/in - (Green)
- AX30216**
Spring 14x90mm 2.78 lbs/in - (Yellow)
- AX30217**
Spring 14x90mm 3.01 lbs/in - (Blue)

(AX31172)

- AX30226**
Spring 14x54mm 2.64 lbs/in - (Red)
- AX30227**
Spring 14x54mm 3.4 lbs/in - (White)
- AX30228**
Spring 14x54mm 3.85 lbs/in - (Green)
- AX30229**
Spring 14x54mm 4.33 lbs/in - (Yellow)
- AX30230**
Spring 14x54mm 4.95 lbs/in - (Blue)

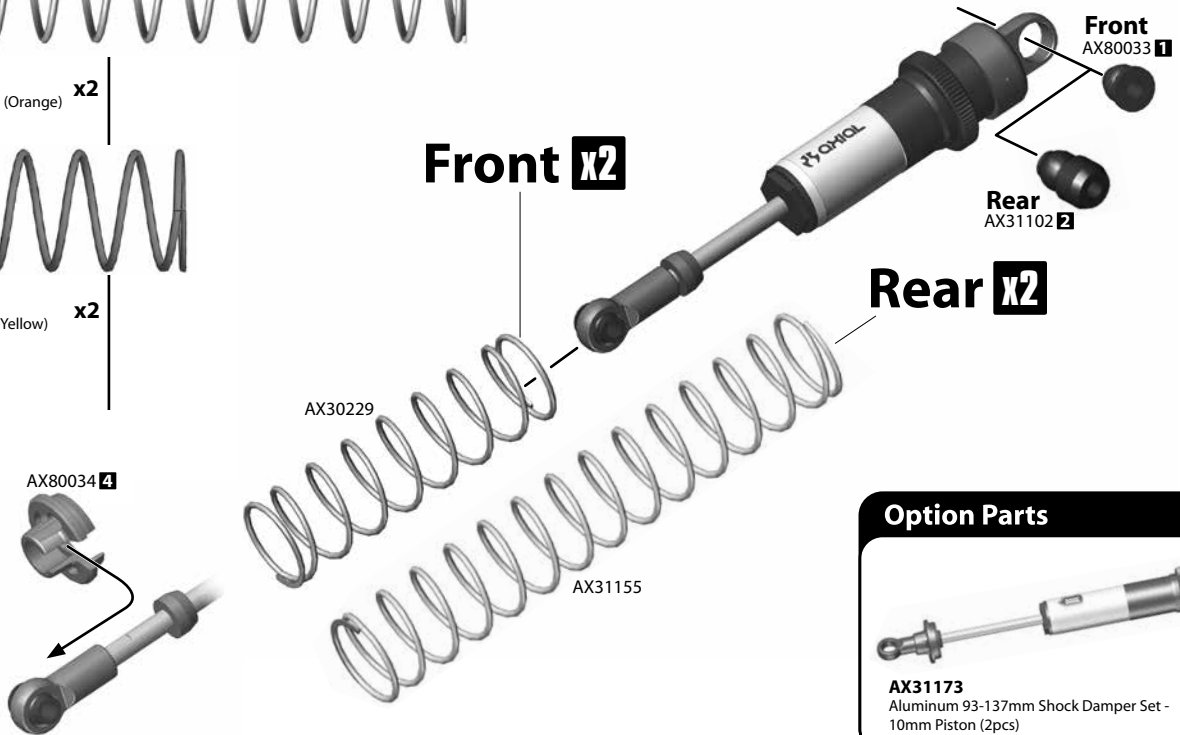
49



AX31155
Spring 14x90mm 1.14lbs/in - Firm (Orange) **x2**



AX30229
Spring 14x54mm 4.33lbs-in Firm (Yellow) **x2**



Option Parts



AX31173
Aluminum 93-137mm Shock Damper Set - 10mm Piston (2pcs)



AXA116
M3x12mm **x2**



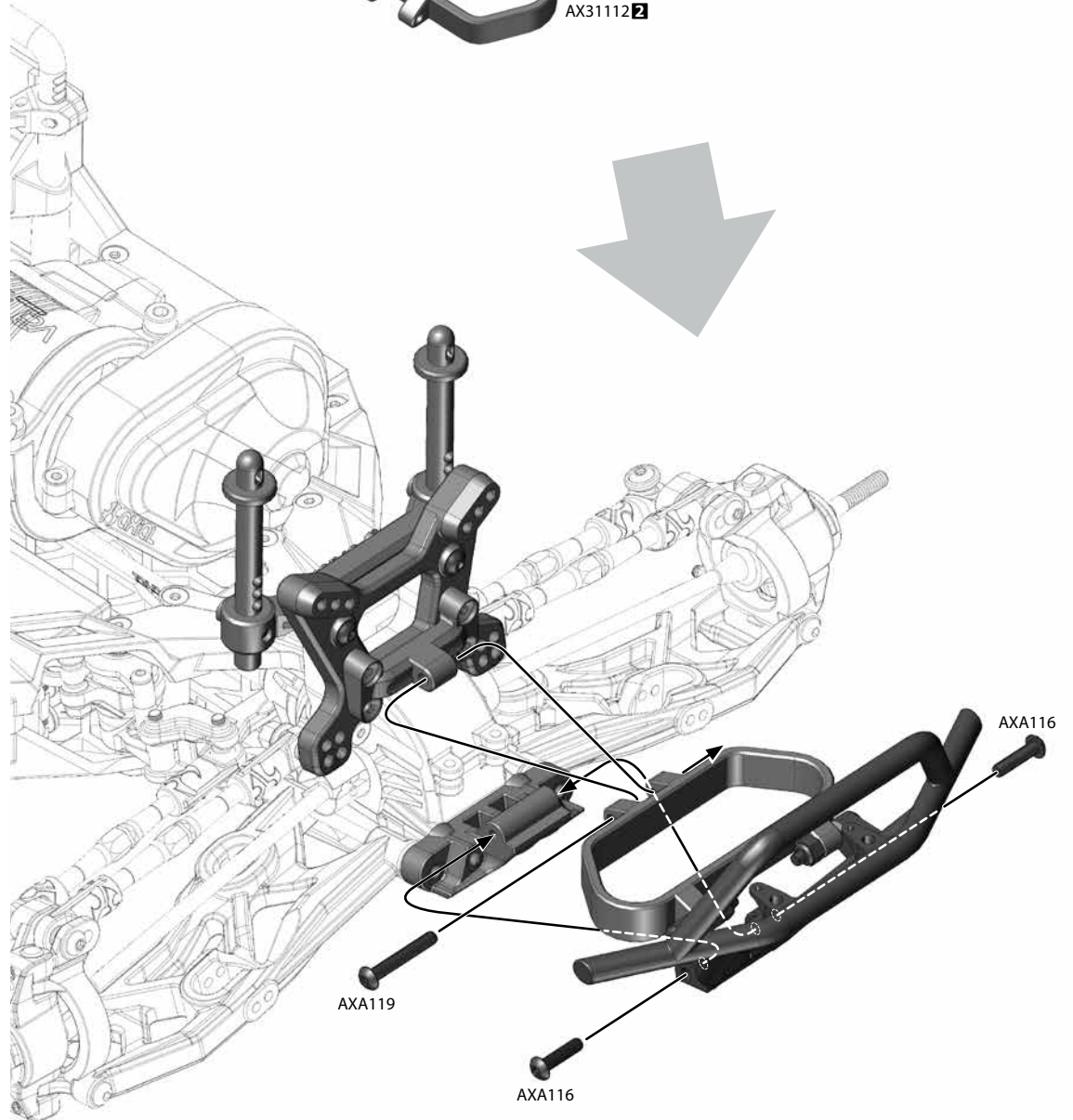
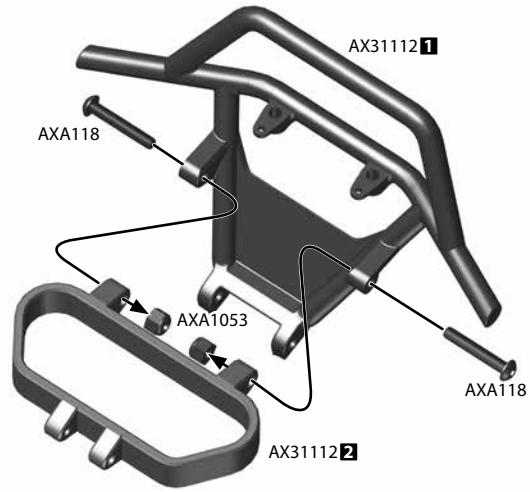
AXA118
M3x18mm **x2**



AXA119
M3x20mm **x1**



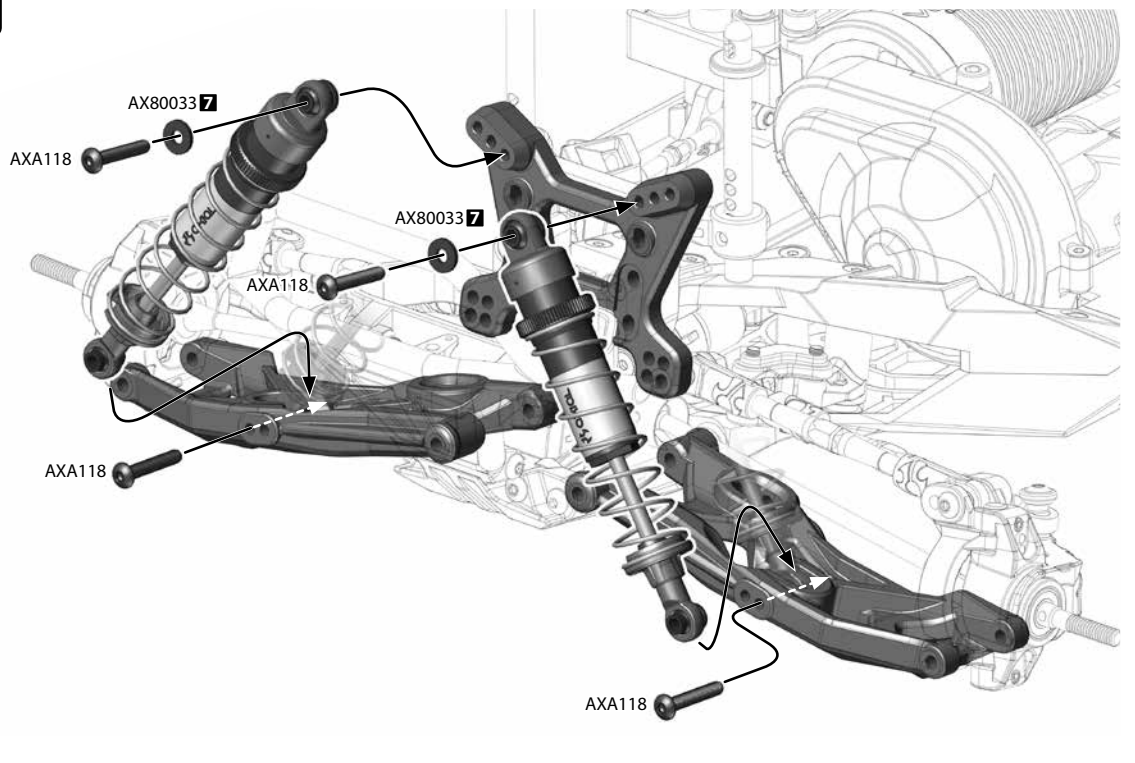
AXA1053
M3 Nylon Locking Hex Nut **x2**





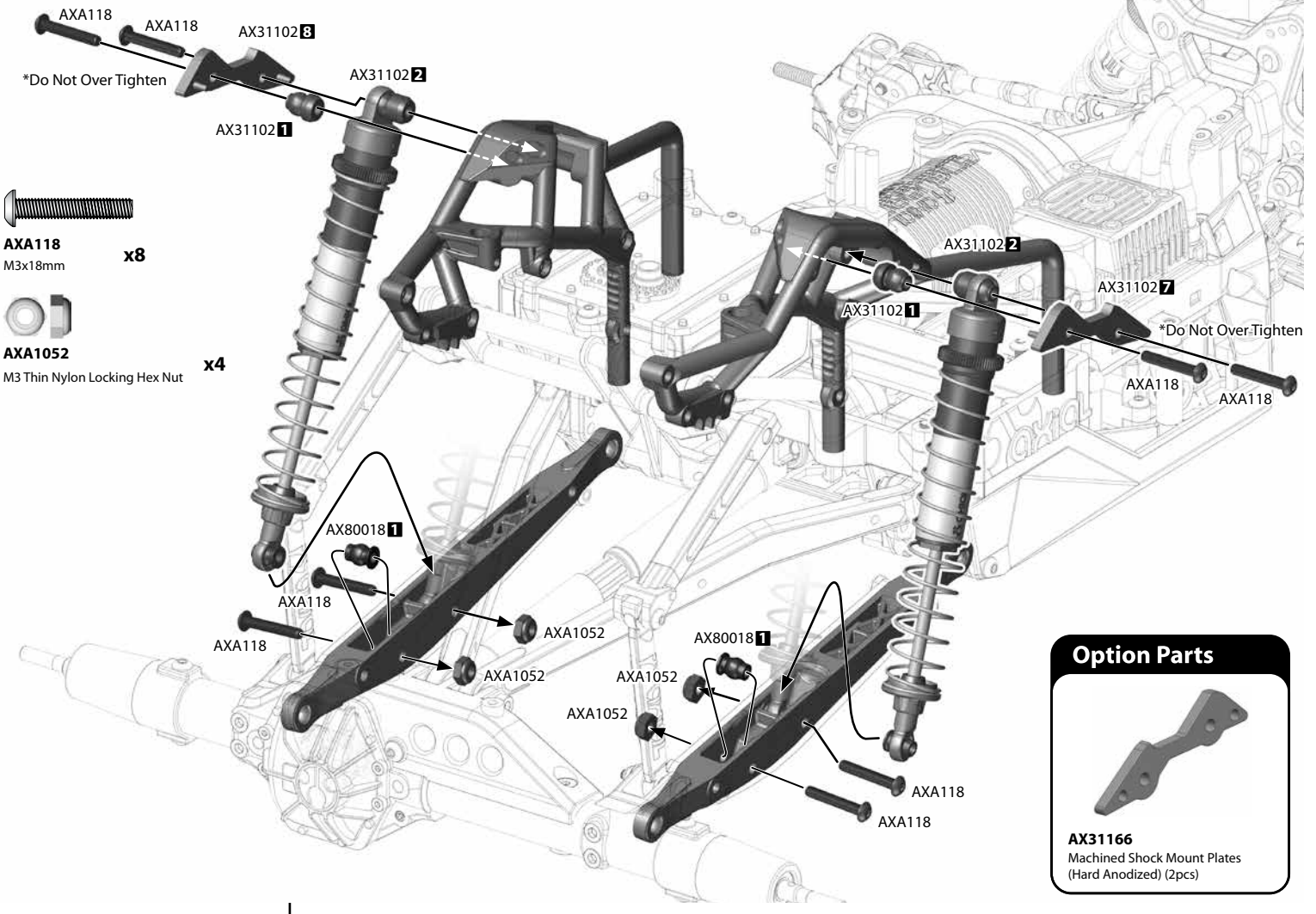
AXA118
M3x18mm **x4**

51



52

See Rear Suspension Tuning on page #



AXA118
M3x18mm **x8**



AXA1052
M3 Thin Nylon Locking Hex Nut **x4**

Option Parts



AX31166
Machined Shock Mount Plates
(Hard Anodized) (2pcs)

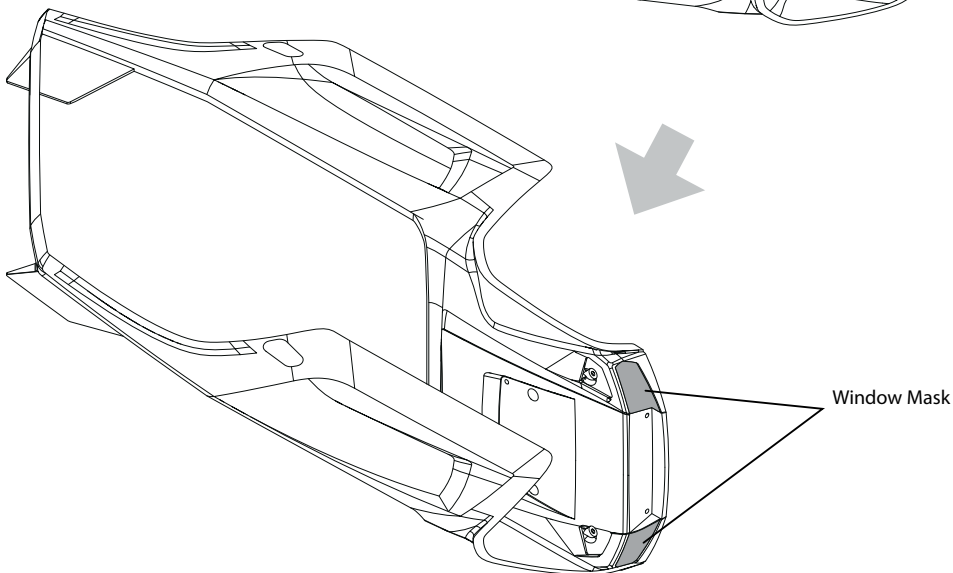
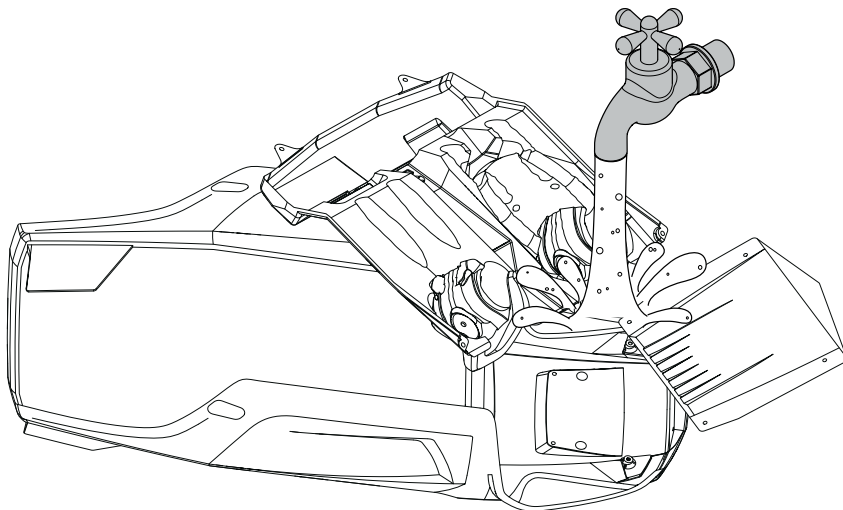
H

Open Bag H

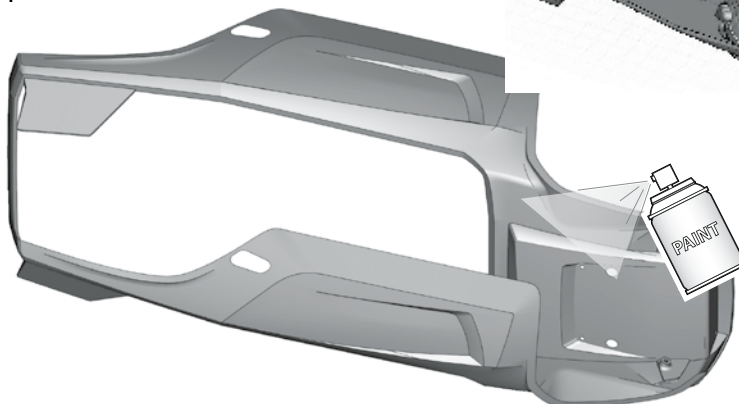
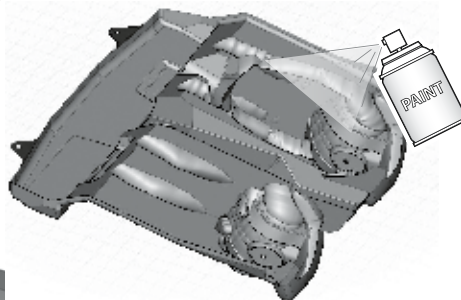
4

Open Plastic Bag 4

53



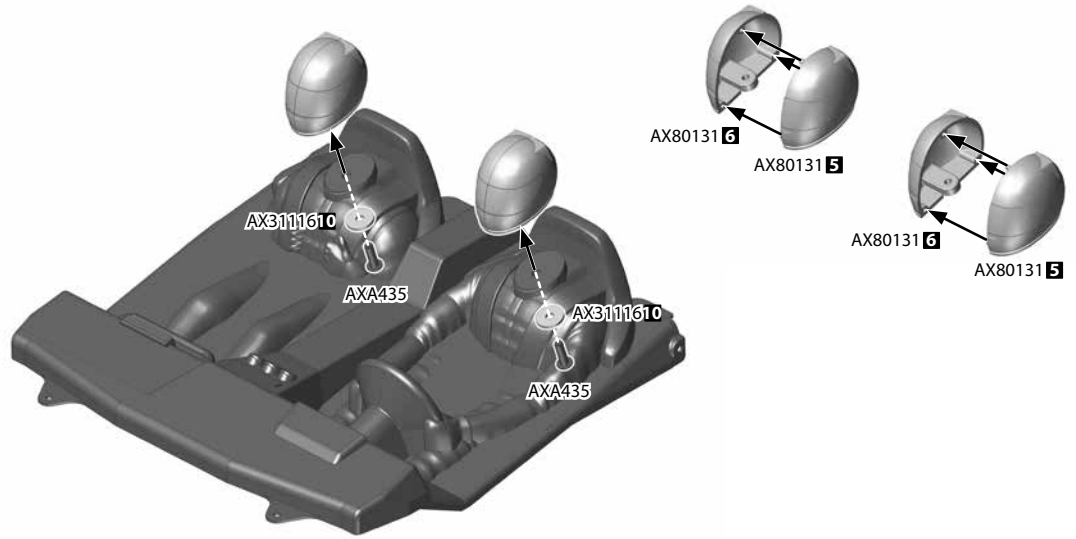
 Note Direction





AXA435
M3x10mm Hex Socket
Tapping Button Head **x2**

54



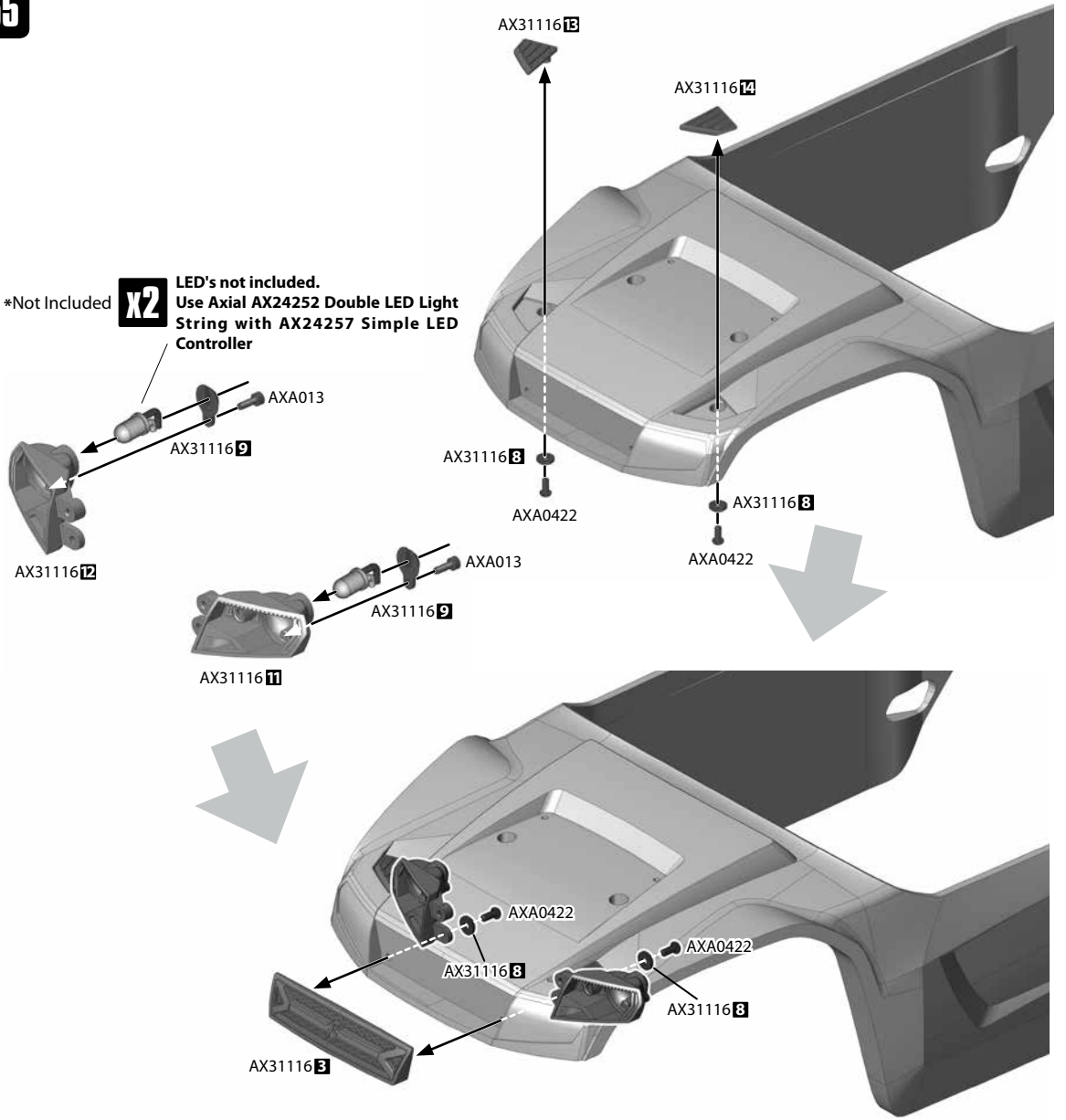
AXA013
M2x6mm **x2**

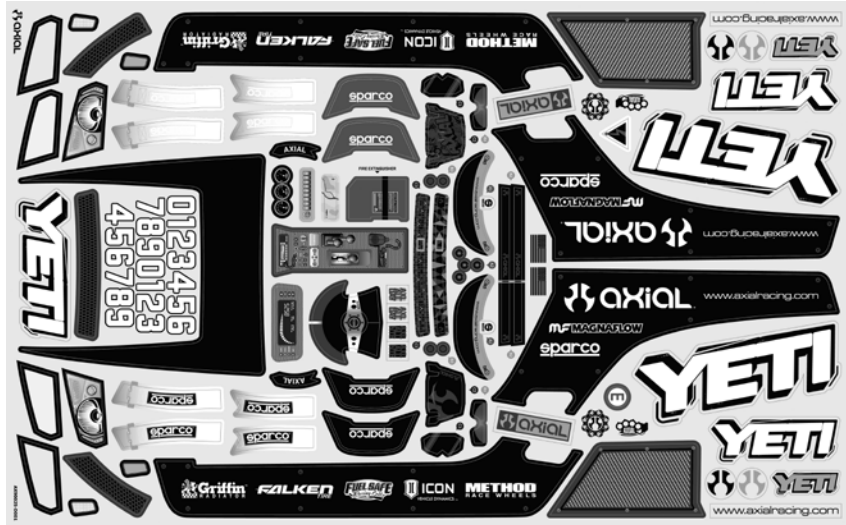
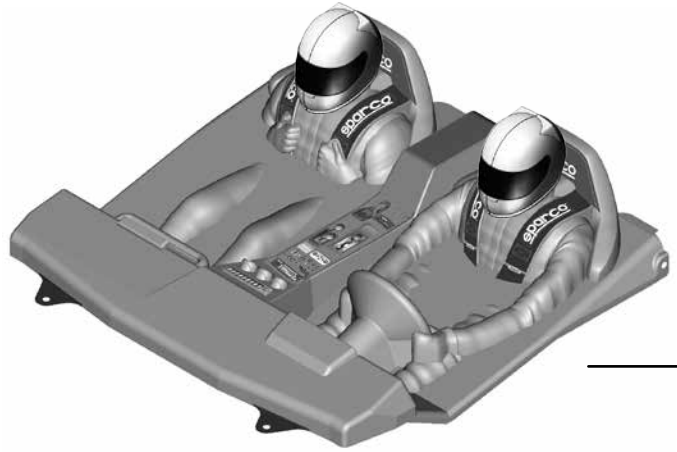
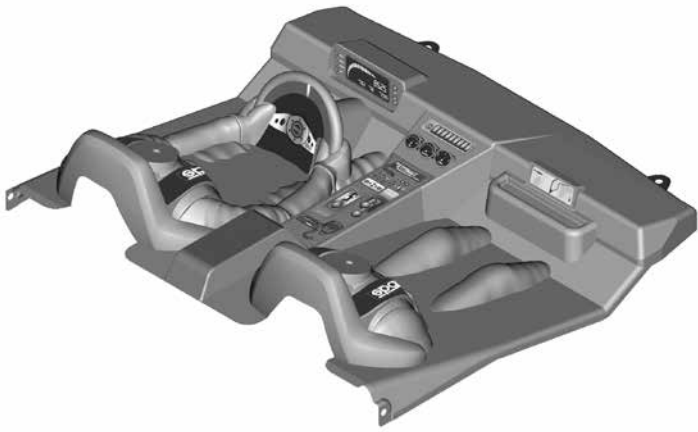


AXA0422
M2.6x6mm **x4**

55

*Not Included **x2** LED's not included. Use Axial AX24252 Double LED Light String with AX24257 Simple LED Controller







AXA117
M3x15mm **x2**

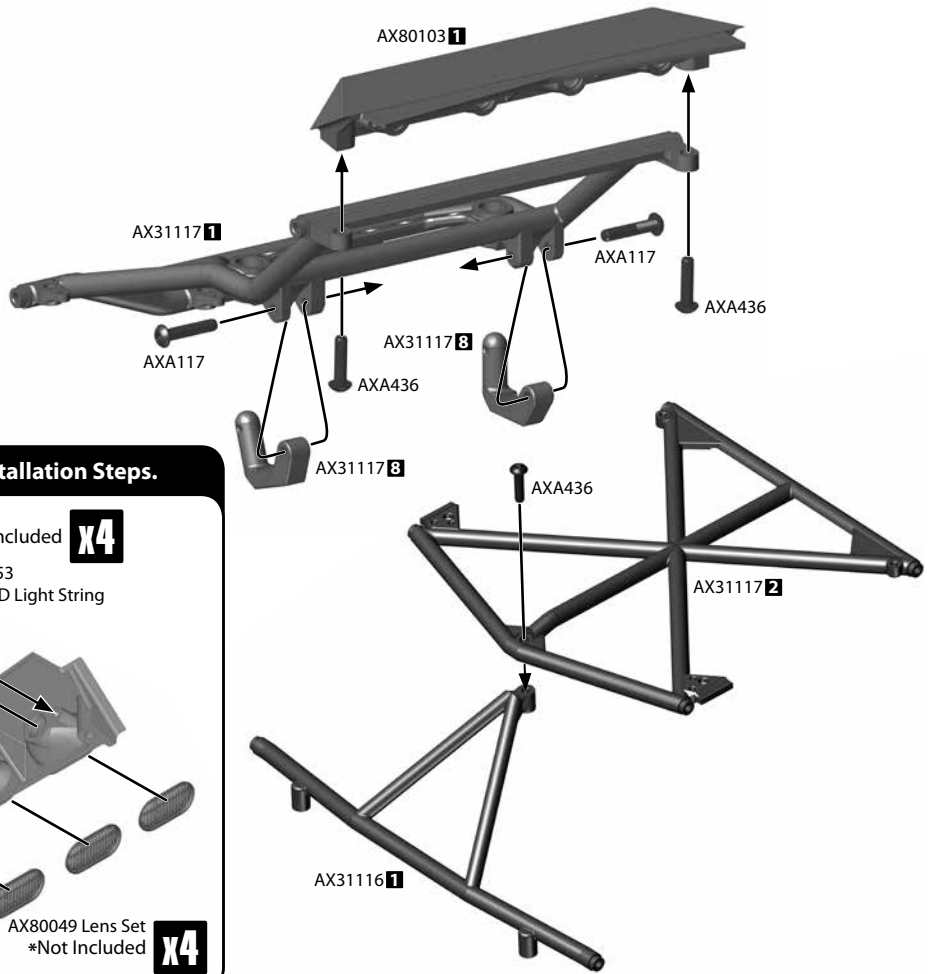


AXA436
M3x12mm **x3**

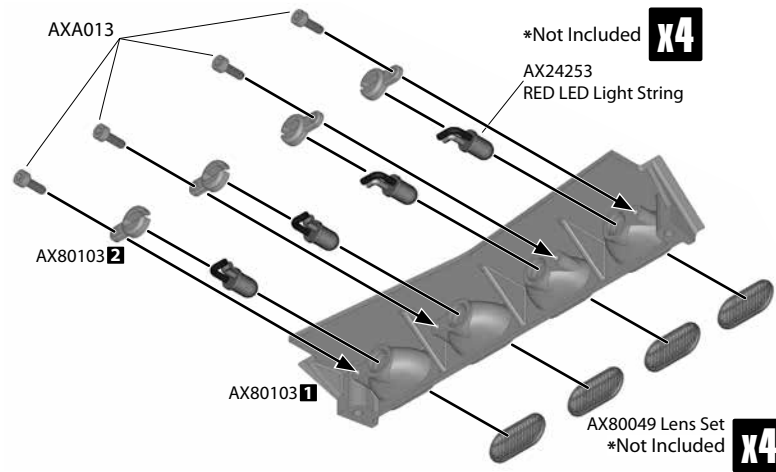


AXA013
M2x6mm **x4**

57



Optional 5mm LED lights and AX80049 Len(s) Installation Steps.



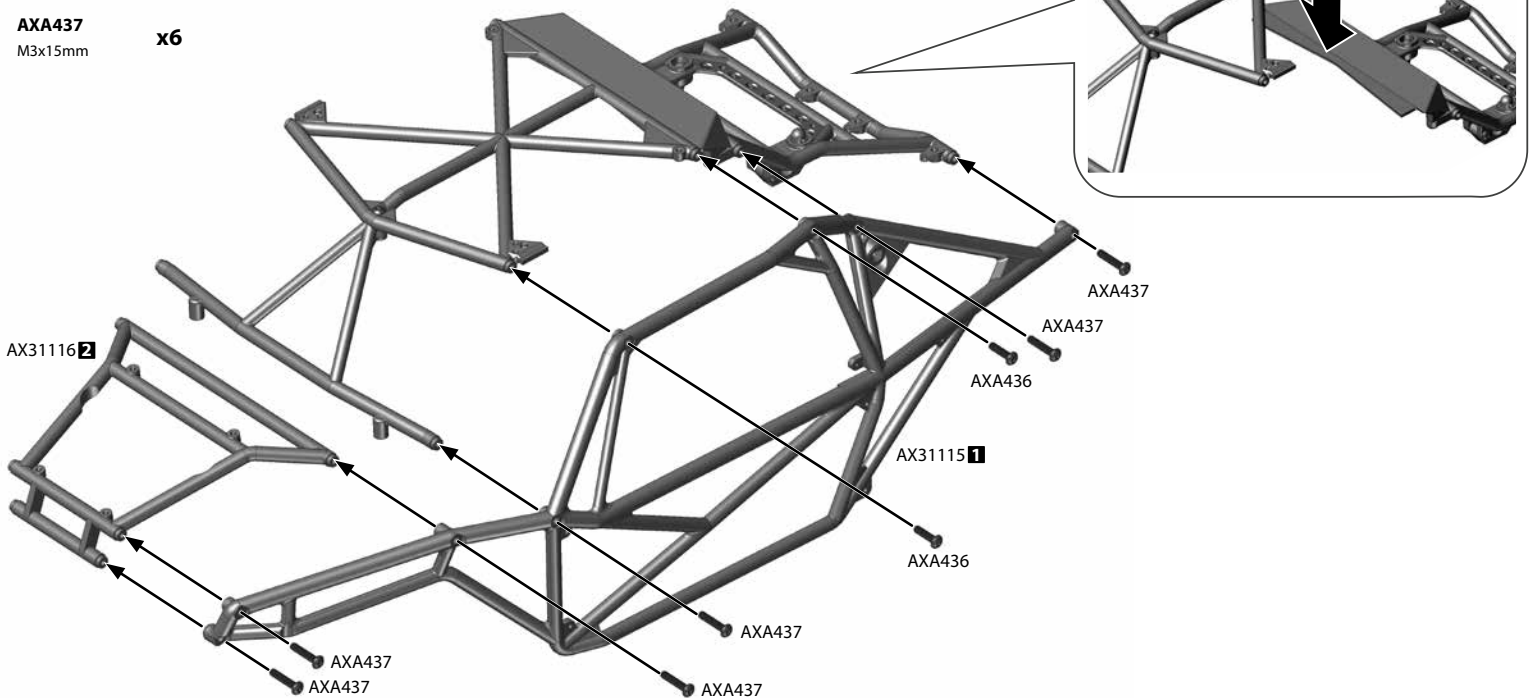
58



AXA436
M3x12mm **x2**



AXA437
M3x15mm **x6**



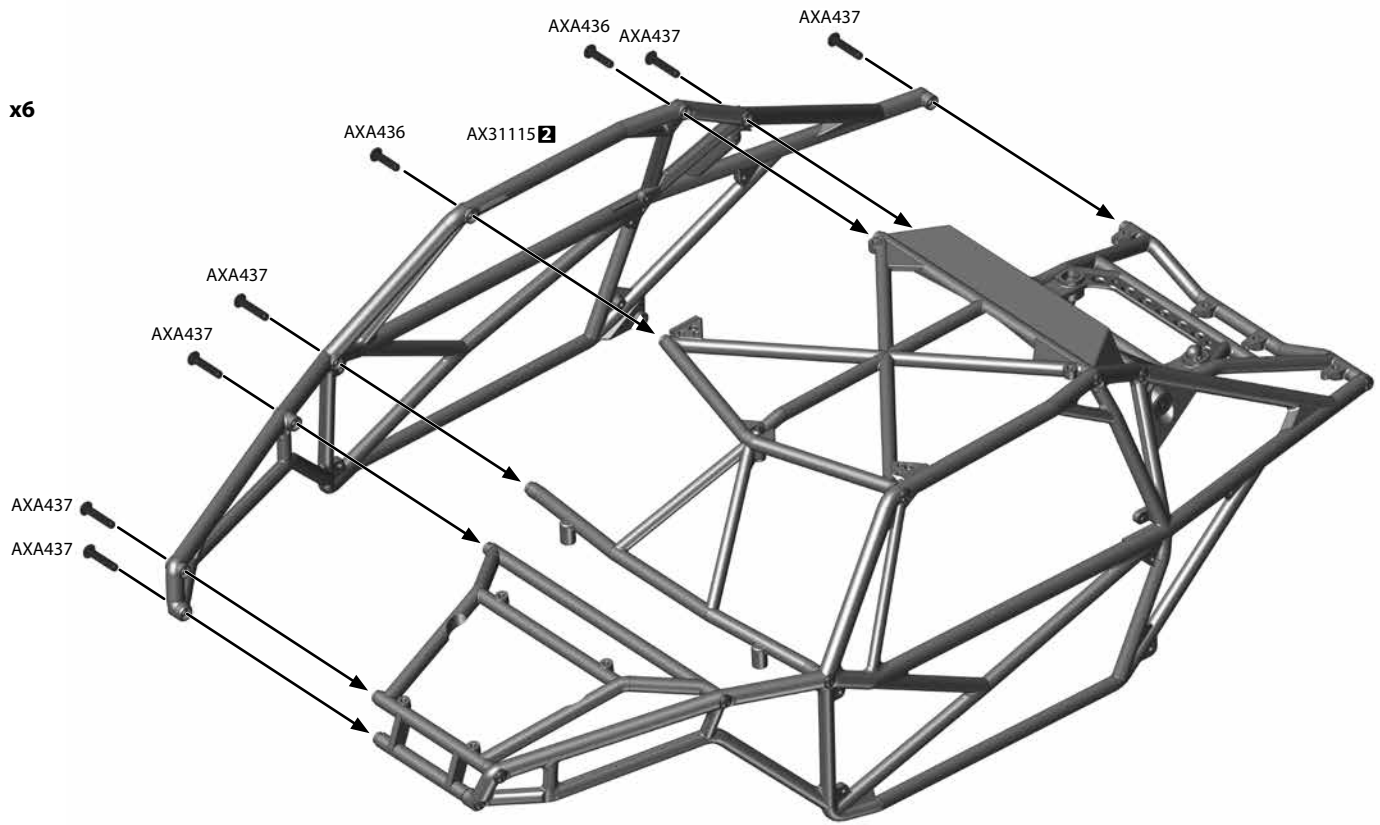
59



AXA436
M3x12mm **x2**



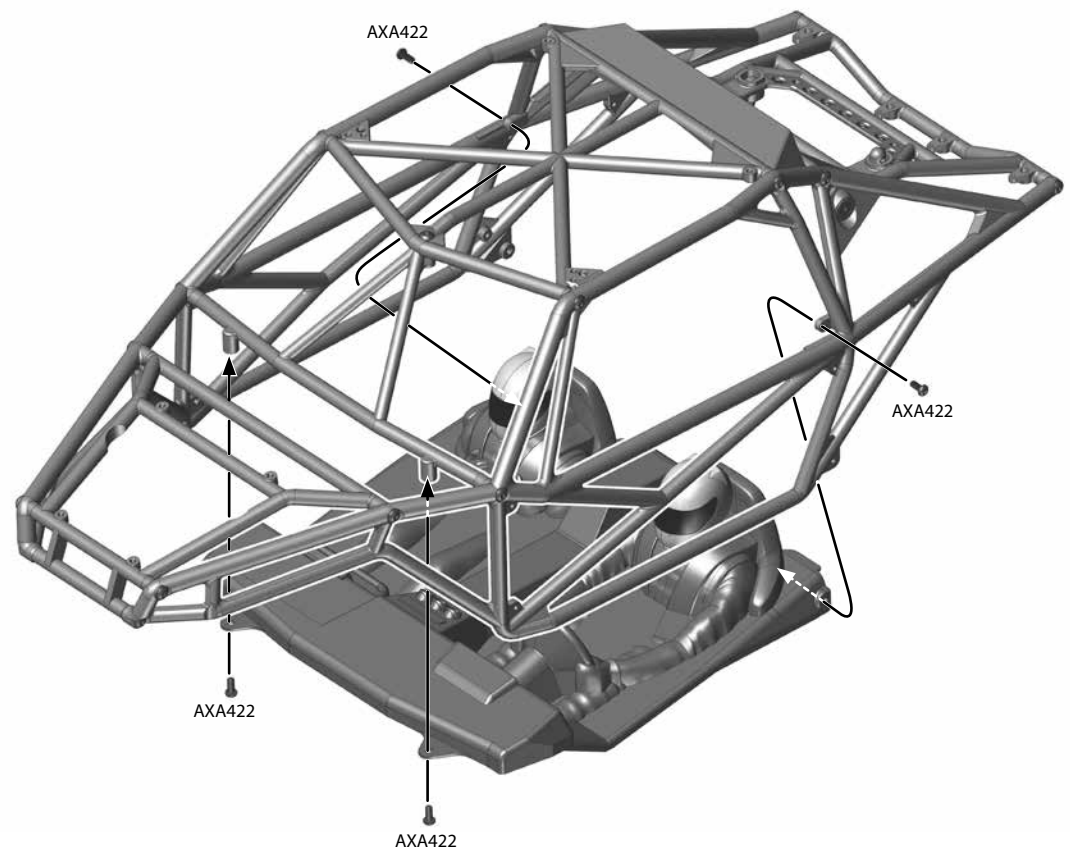
AXA437
M3x15mm **x6**



60



AXA422
M2.6x6mm **x4**

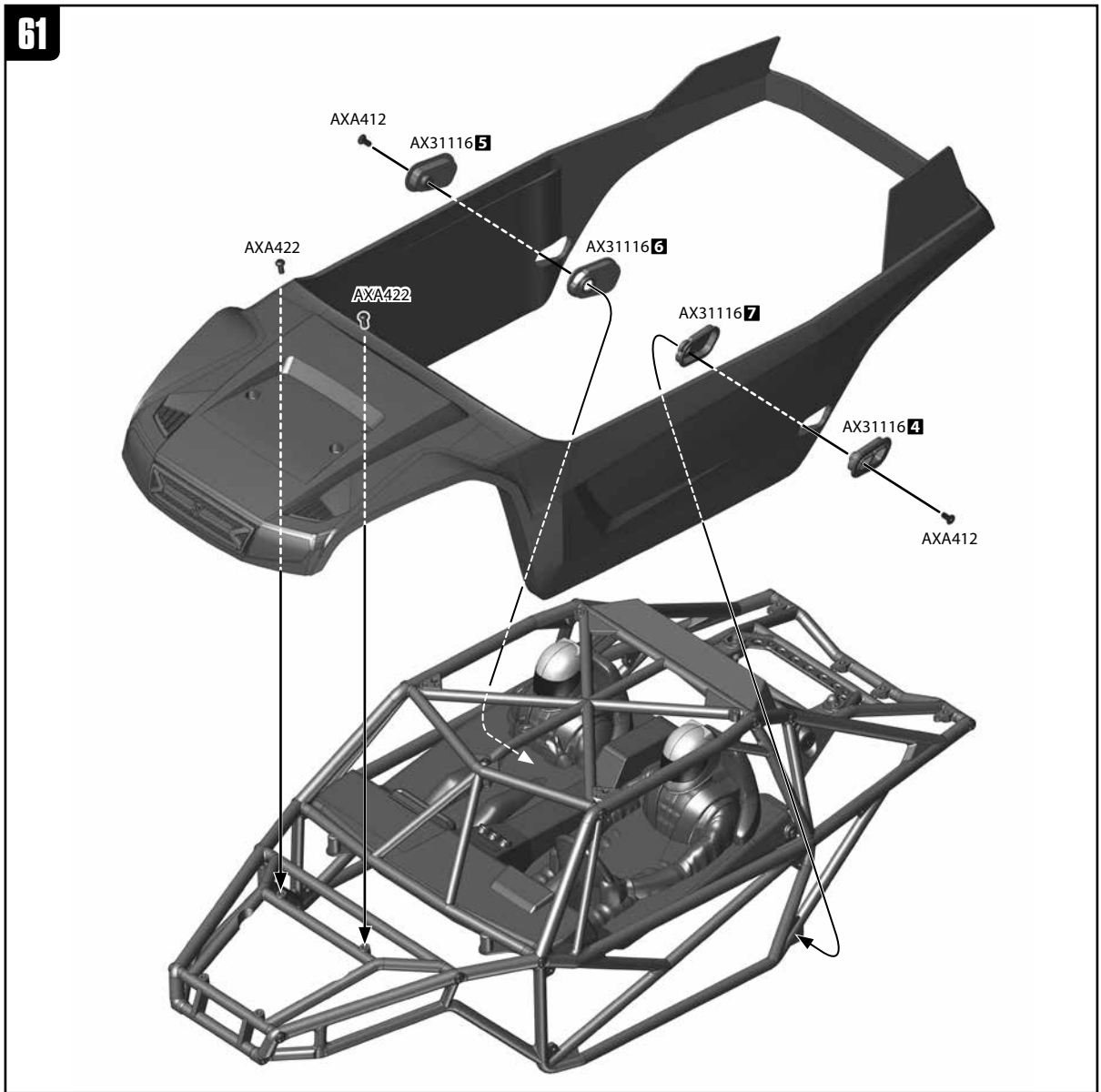




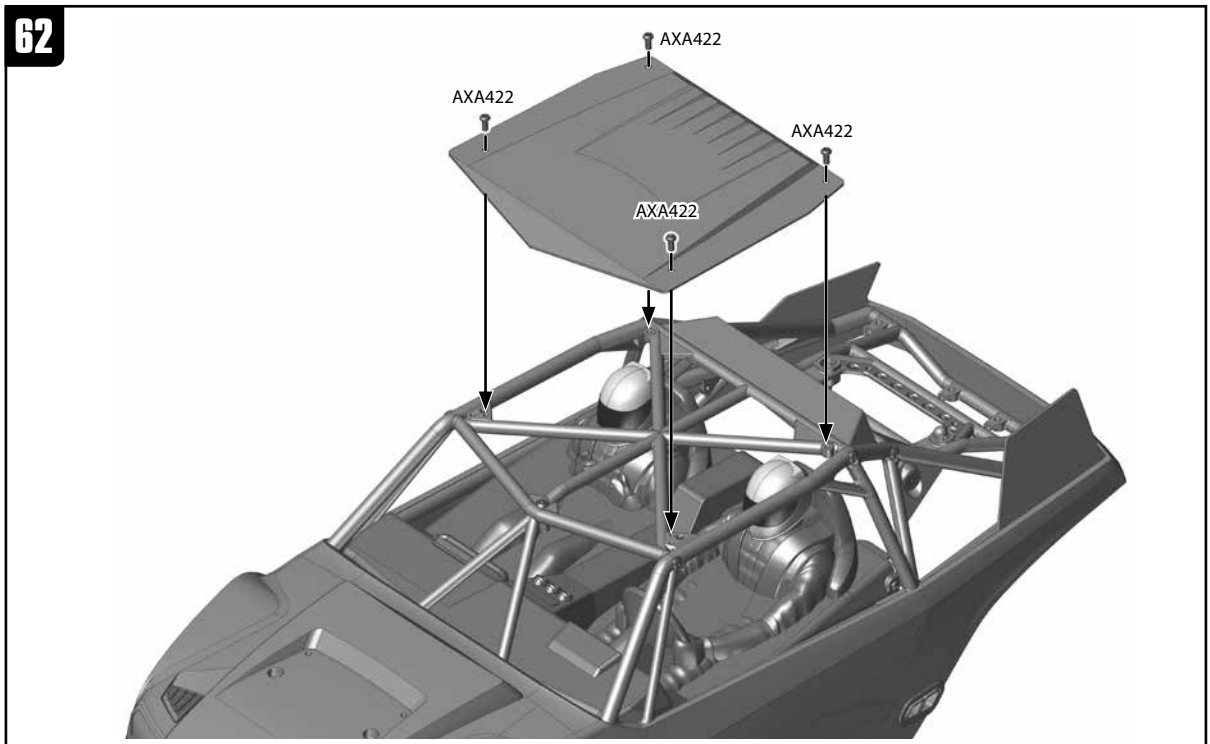
AXA422
M2.6x6mm **x2**

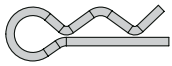


AXA412
M2.6x6mm Tapping Flathead **x2**



AXA422
M2.6x6mm **x4**





AXA1059
6mm Body Clip **x4**



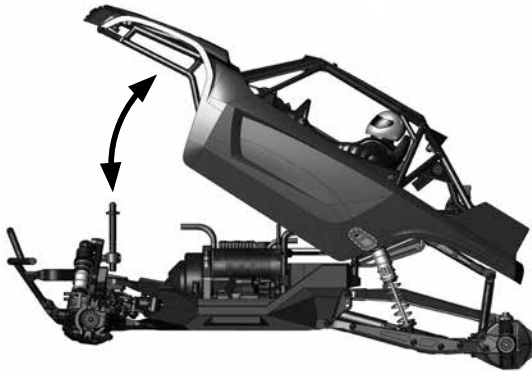
AXA1053
M3 Nylon Locking Hex Nut **x2**



AXA440
M3x25mm **x1**



AXA115
M3x10mm **x2**



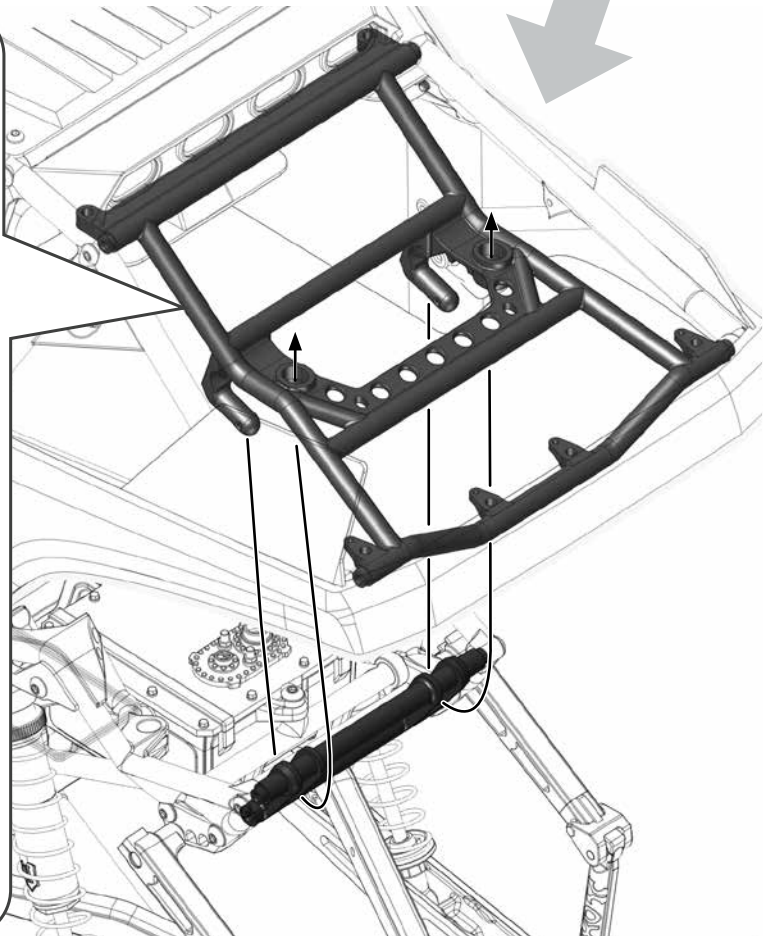
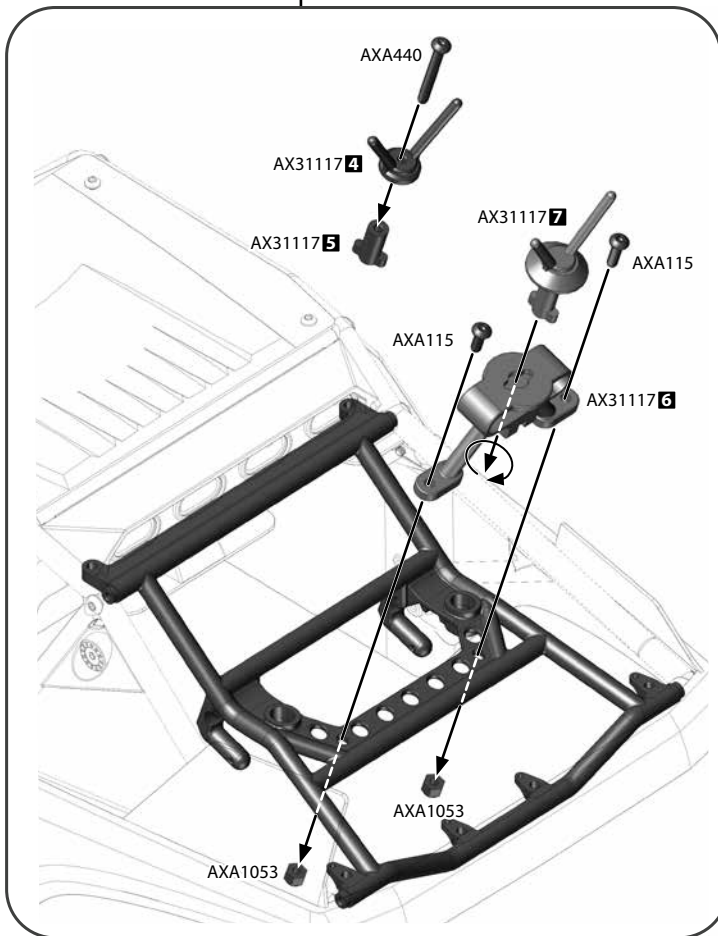
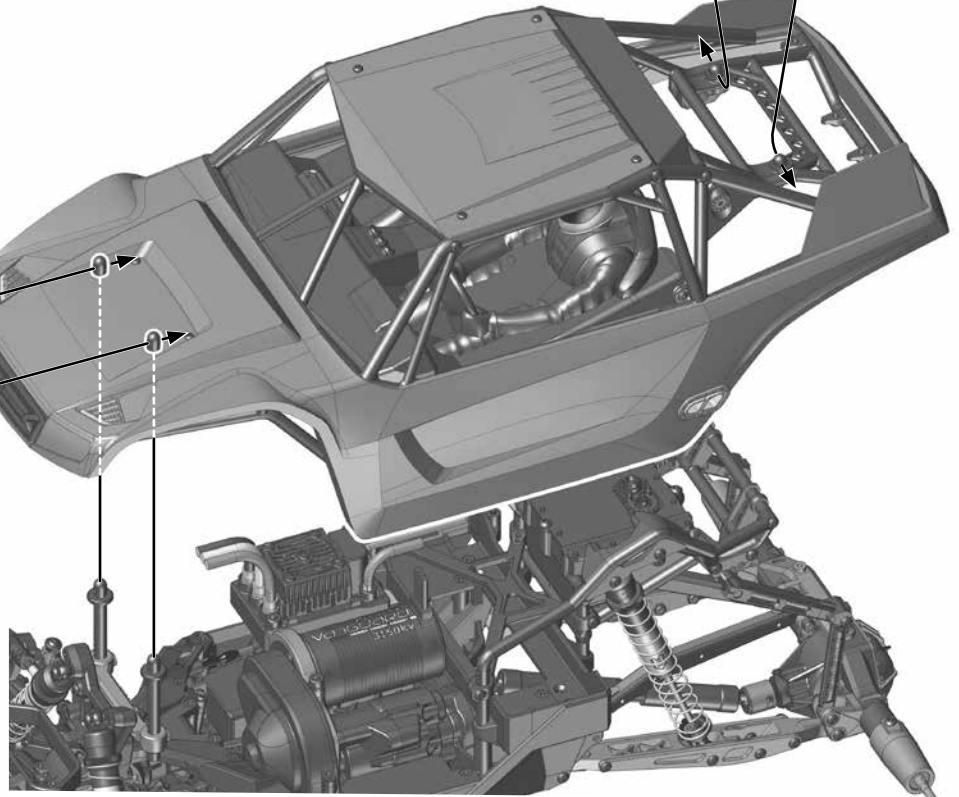
AXA1059

AXA1059

AXA1059

AX31117 **3**

AXA1059

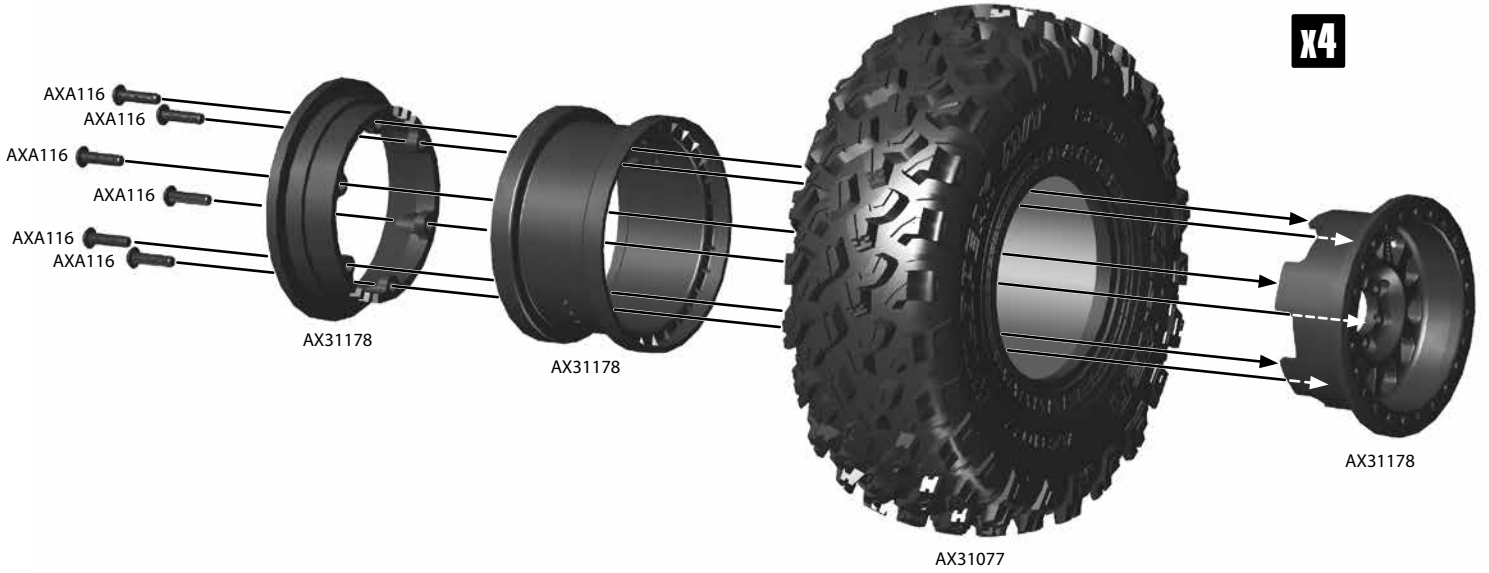


Open Bag I

64



AXA116
M3x12mm **x24**

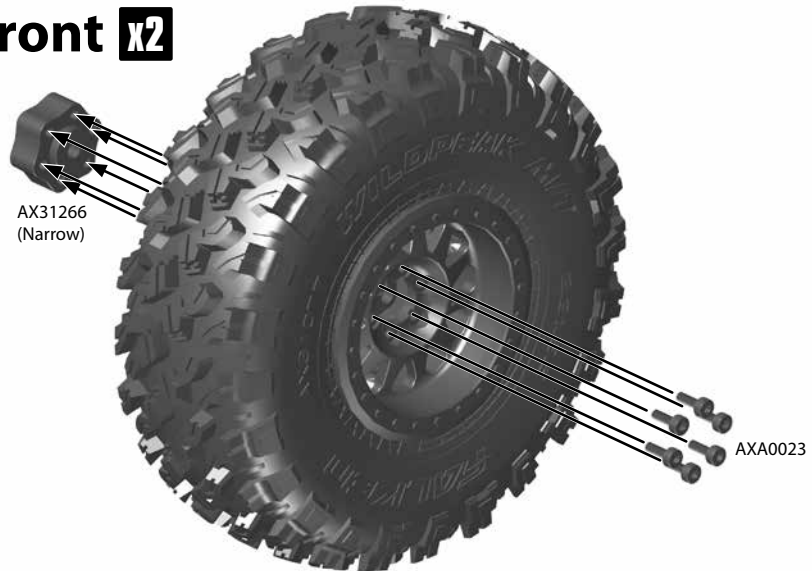


AXA0023
M2.6x8mm **x12**

65

! Note: Use correct parts.

Front x2





AXA0023
M2.6x8mm

x12

66

! Note: Use correct parts.

Rear x2



67



AXA180
M3x3mm

x4



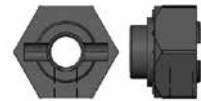
AX31028
Pin 2.0x11mm

x4



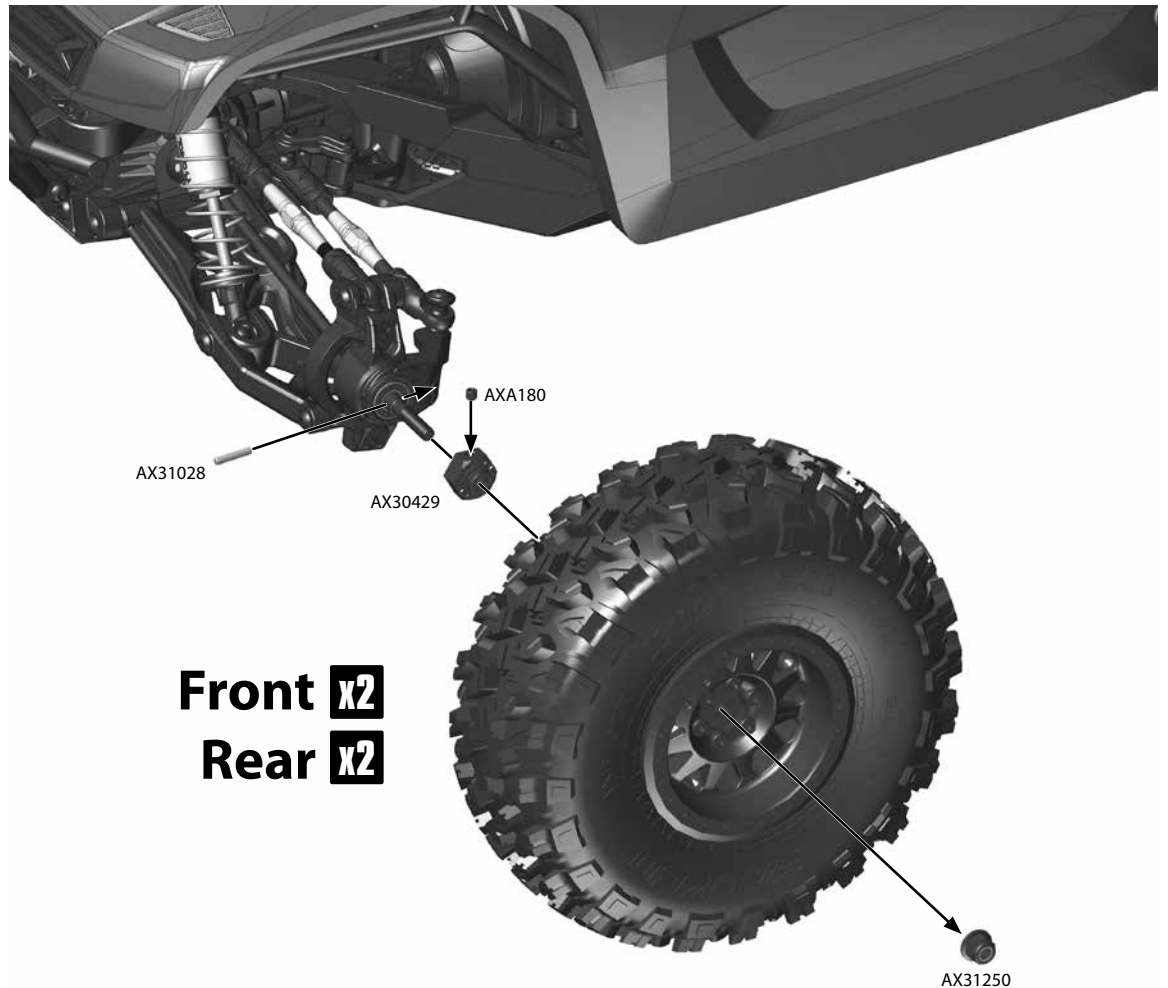
AX31250
M4 Serrated Nylon Locking nut

x4

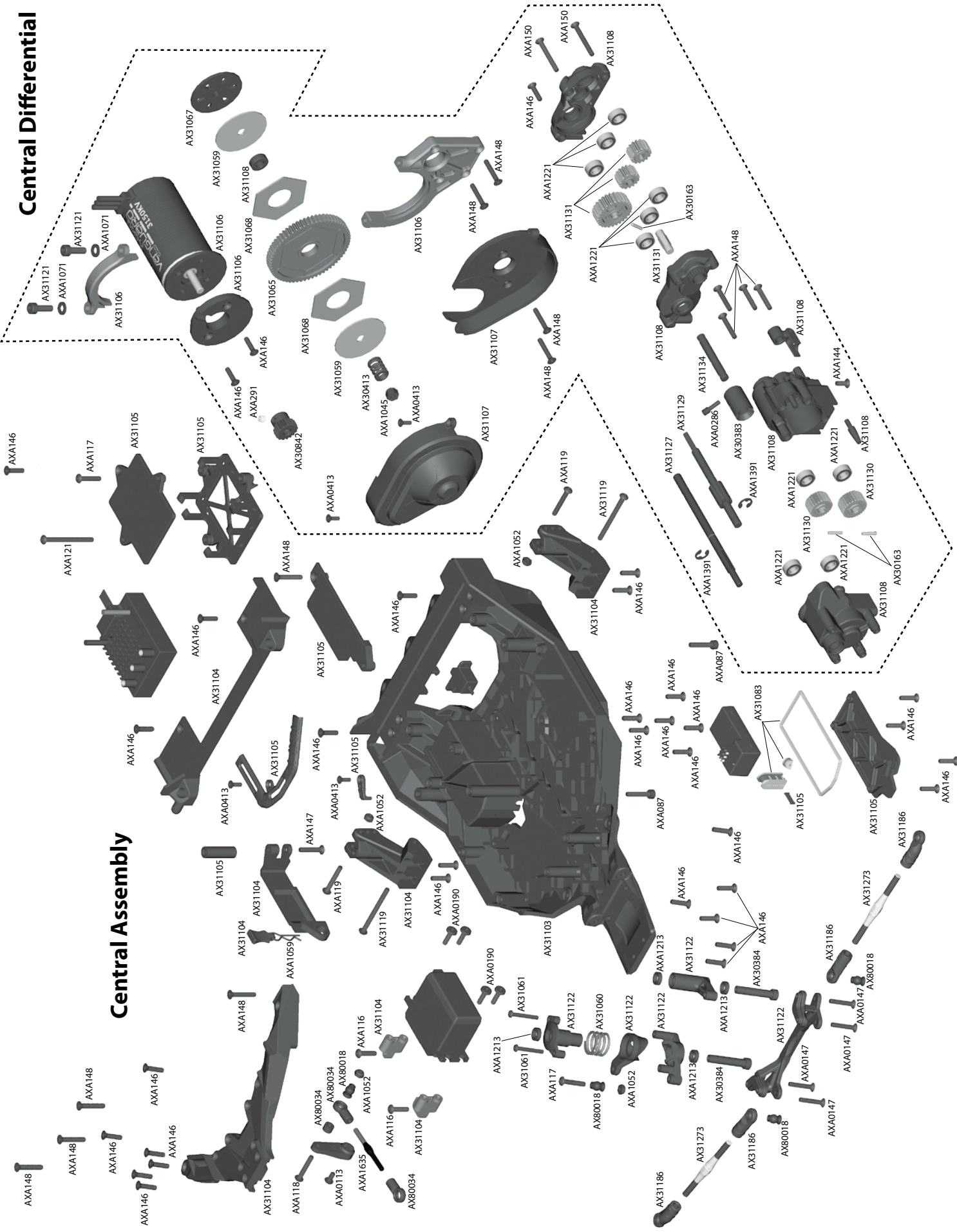


AX30429
12mm Aluminum Hub (Black)

x4

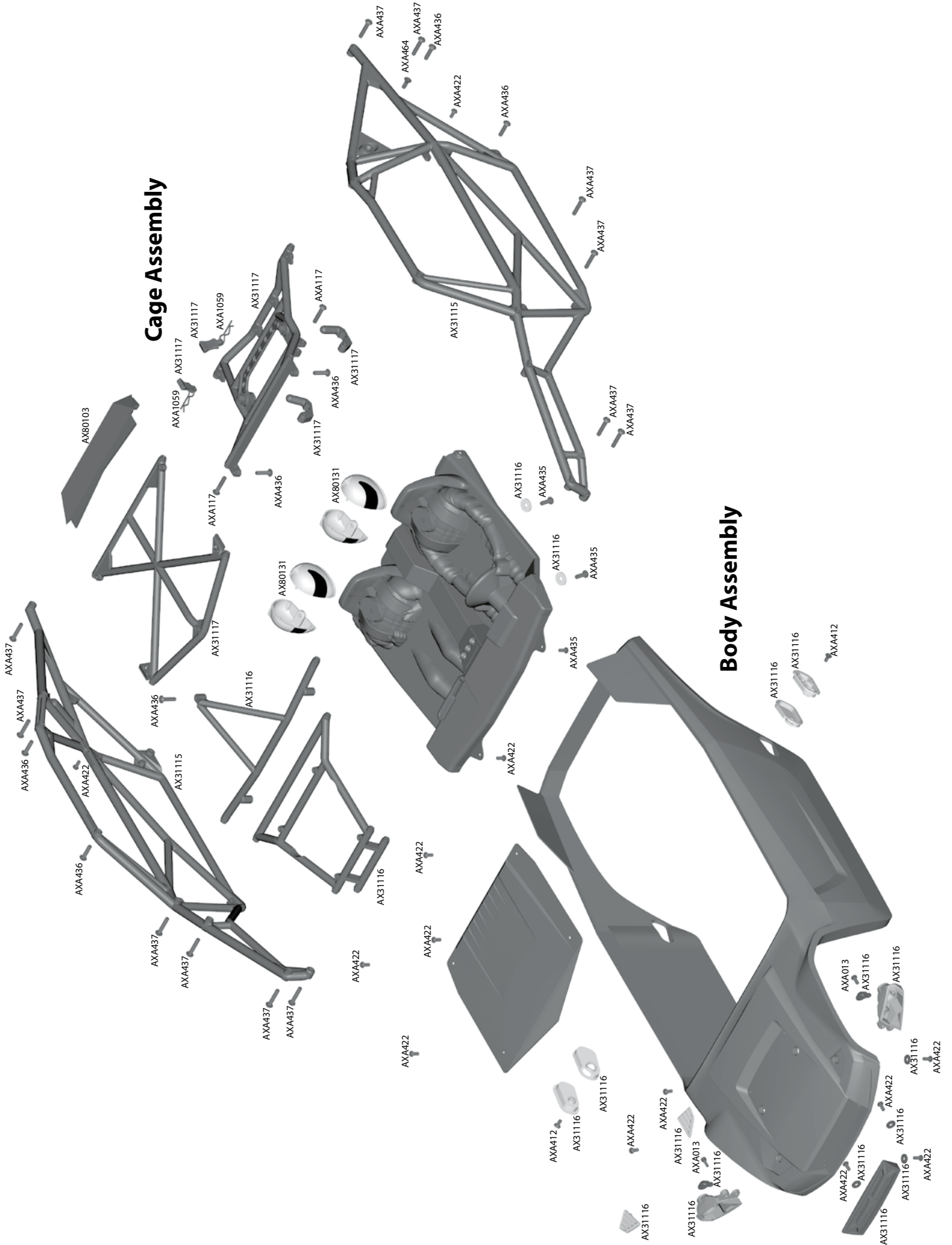


Central Differential

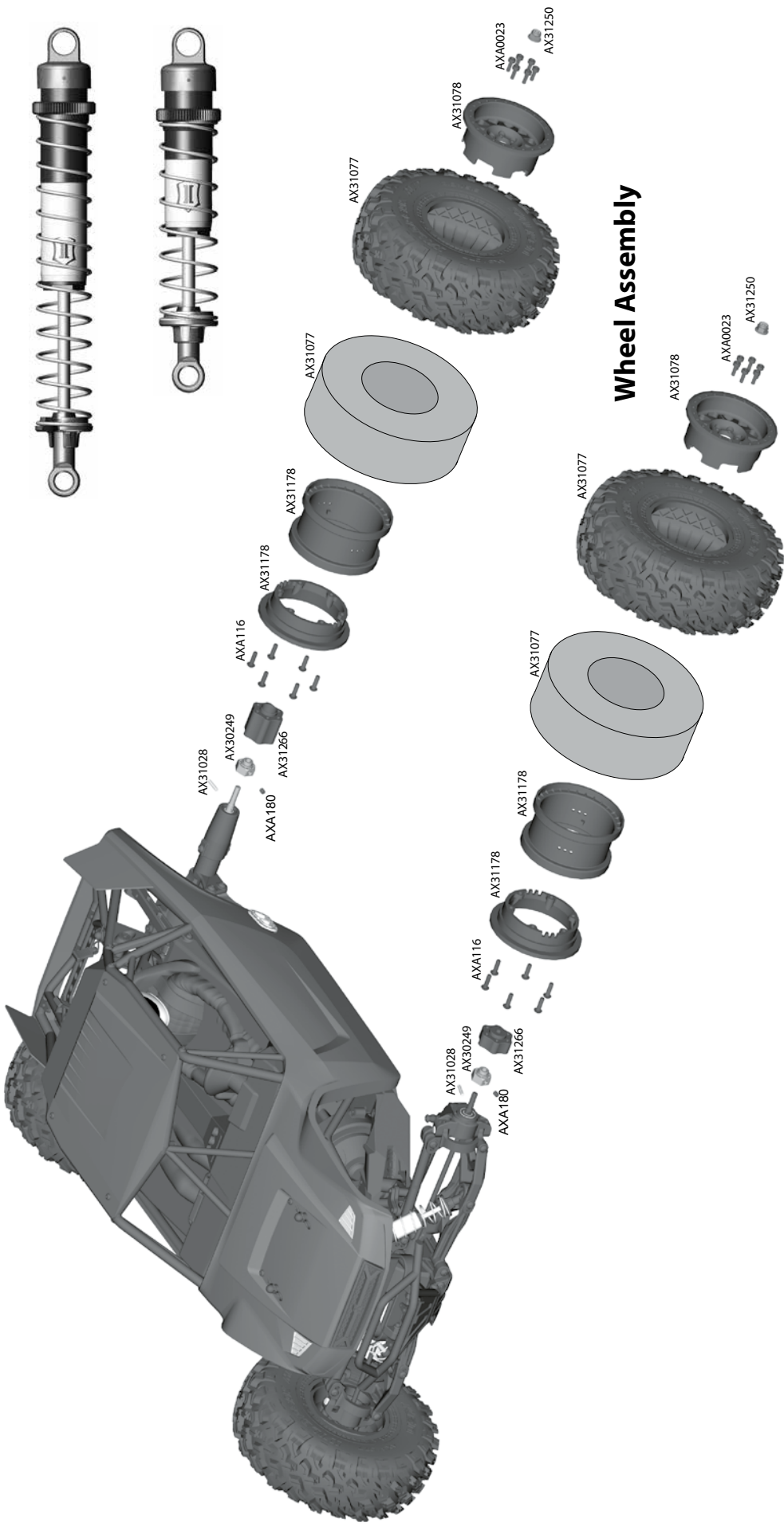
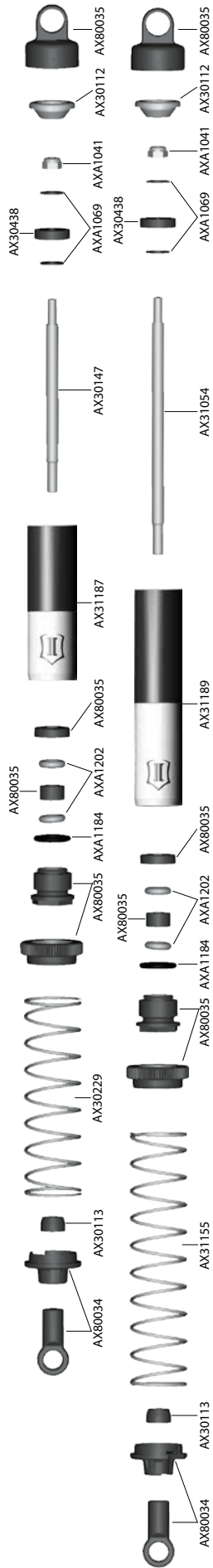


Cage Assembly

Body Assembly



Shock Assembly



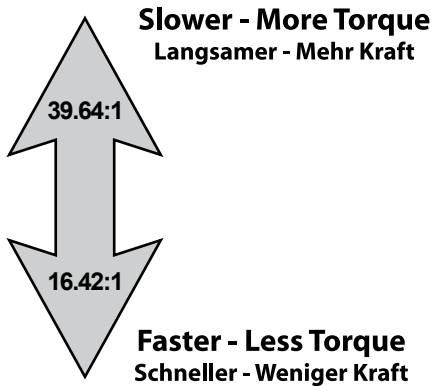
Wheel Assembly

Gear Ratio / Getriebeübersetzung

Use this equation to calculate the final drive ratio.
Final Drive Gear Ratio = (Spur/Pinion)x5.67

Mit dieser Gleichung können Sie die Gesamtübersetzung berechnen.

Gesamtübersetzung = (Spur/Pinion)x5.67



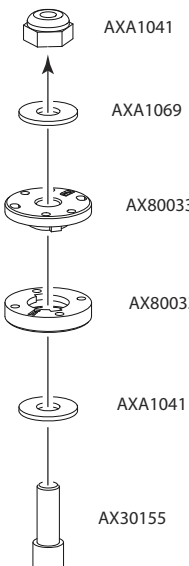
| 32 Pitch 38T/13T (Stock Gearing AX30392 or HD AX30395) | | | | |
|--|-----------|-------|-------|-------|
| | Spur Gear | | | |
| Pinion | 56 | 60 | 64 | 68 |
| 11 | 28.85 | 30.91 | 32.97 | 35.03 |
| 12 | 26.44 | 28.33 | 30.22 | 32.11 |
| 13 | 24.41 | 26.15 | 27.90 | 29.64 |
| 14 | 22.67 | 24.88 | 25.90 | 27.52 |
| 15 | 21.15 | 22.67 | 24.18 | 25.69 |
| 16 | 19.83 | 21.25 | 22.67 | 24.08 |
| 17 | 18.67 | 20.00 | 21.33 | 22.67 |

| 32 Pitch 36T/14T (Overdrive HD Gearing AX30401) | | | | |
|---|-----------|-------|-------|-------|
| | Spur Gear | | | |
| Pinion | 56 | 60 | 64 | 68 |
| 11 | 25.38 | 27.19 | 29.00 | 30.81 |
| 12 | 23.26 | 24.92 | 26.58 | 28.25 |
| 13 | 21.47 | 23.01 | 24.54 | 26.07 |
| 14 | 19.94 | 21.36 | 21.94 | 22.60 |
| 15 | 19.61 | 19.94 | 21.27 | 22.60 |
| 16 | 17.45 | 18.69 | 19.94 | 21.18 |
| 17 | 16.42 | 17.59 | 18.77 | 19.94 |

| 32 Pitch 43T/13T (Underdrive HD Gearing AX30402) | | | | |
|--|-----------|-------|-------|-------|
| | Spur Gear | | | |
| Pinion | 56 | 60 | 64 | 68 |
| 11 | 32.64 | 34.97 | 37.31 | 39.64 |
| 12 | 29.92 | 32.06 | 34.20 | 36.33 |
| 13 | 27.62 | 29.59 | 31.57 | 33.54 |
| 14 | 25.65 | 27.48 | 29.31 | 31.14 |
| 15 | 23.94 | 25.65 | 27.36 | 29.07 |
| 16 | 22.44 | 24.04 | 25.65 | 27.25 |
| 17 | 21.12 | 22.63 | 24.14 | 25.65 |

Shock Tuning / Stossdämpferabstimmung

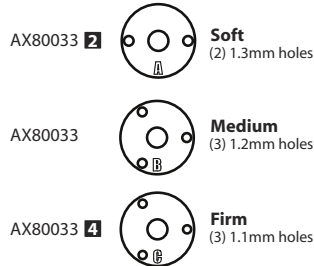
Installation



Pistons

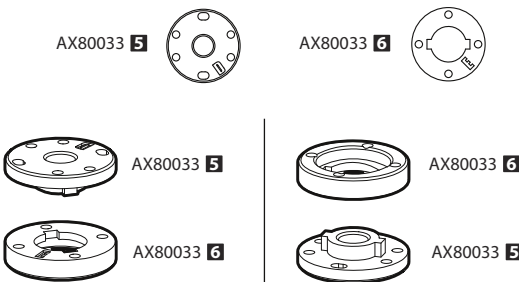
Standard Pistons

Provides the same dampening rate on both compression and extension



Variable Rate Pistons

Provides a different dampening rate depending on which direction you install.



Springs/Oil



Springs

Depending on the application you may want a firmer spring than what is included. Selecting a spring rate is based on each vehicles weight and handling and usually will require some trial and error.

For rock crawling applications it is recommended to use a stiffer spring on which ever corner is exhibiting torque twist.

Oil

Oils are another element you can use to tune the handling of your vehicle. You want an oil that allows the vehicle to handle the terrain well, but not too thin as to exhibit a springy bounce while driving.

We recommend starting with a good 30 wt. silicone oil. If you are looking for a faster rebound/compression rate use a lower weight oil. If you are looking for a slower rebound/compression rate use a higher weight oil.



Warranty Info

Axial Limited Warranty (USA)

Your Axial product is warranted to be free of defects in materials and workmanship when new. This warranty does not cover damages due to normal wear and tear, user's failure to perform routine maintenance, user error of assembly or installation, user modifications, addition of aftermarket parts or option parts. This warranty lasts as long as the original purchaser owns the product, and is not transferable (Verified by dated itemized sales receipt). In the event of a defect under this warranty, Axial will, at our discretion, repair or replace the product, provided our inspection indicates that an original defect exists. Axial reserves the right to replace any product which is no longer available with a product of comparable value and function. If Axial determines the repair is not covered under warranty guidelines, there could be a charge applied for the repair and return shipping charges.

International Customers Warranty

Please return product to the dealer where the purchase was made. If your Axial product purchase was made through an on-line retailer, any warranty issues must be taken care of by that retailer. Axial assumes no responsibility for Axial products sold internationally by on-line retailers.

Service

If you need service on your Axial product here are some simple steps to follow when sending in product in for Warranty/ Repair.

STEP 1:
Contact Axial Customer Service at 949-600-8642 Ext: 206 to receive a Return Merchandise Number (RMA#). **Note:** Axial requires the RMA# to be placed on the return merchandise box when shipped to Axial.

STEP 2:
Please write a short note explaining the issue you experienced with the product.

STEP 3:
Include your return address with a daytime phone number and /or e-mail address.

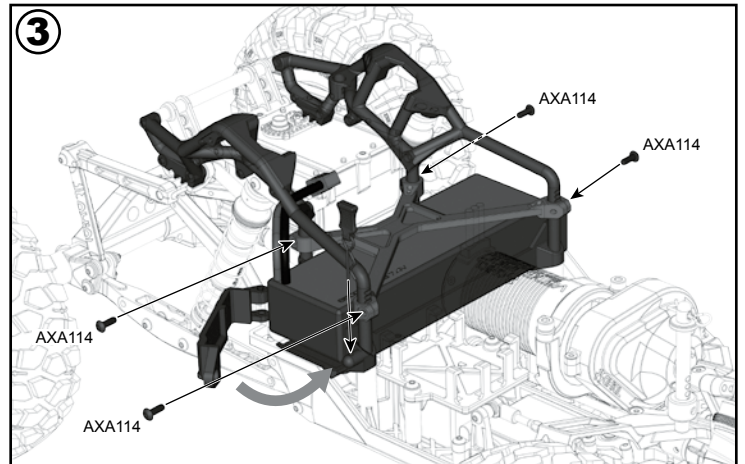
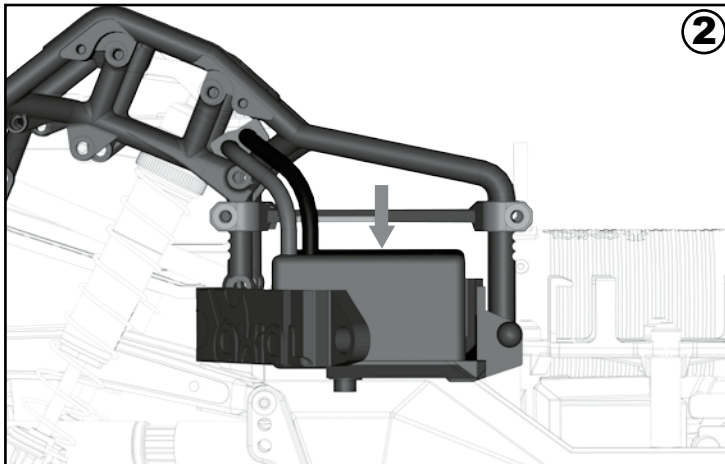
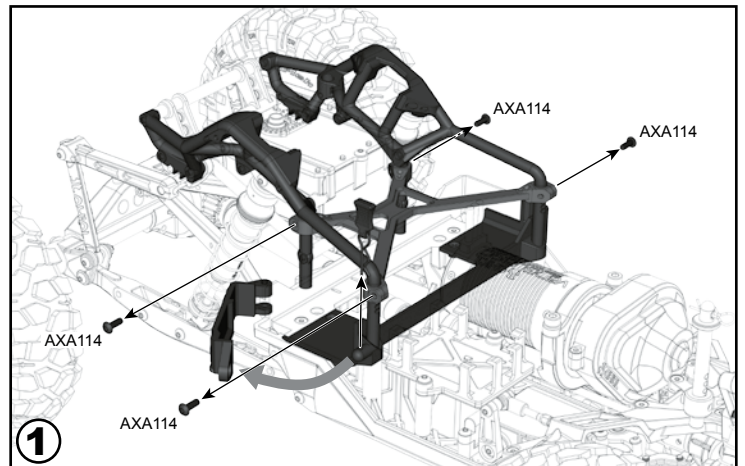
STEP 4:
Please include a Money Order in the amount \$10.00 made payable to Axial for return shipping costs although If product is found to be under Axial Warranty coverage, the \$10.00 will be refunded to you.

PLEASE NOTE: Tuning issues are not covered under the Axial Warranty and shipping fee's do apply.

Please allow 5-10 working days for product to be returned. Axial ships using United Postal Service Priority mail or UPS Ground. Any expedited shipping must be arranged and prepaid by customer. Axial will not be responsible for lost or damaged packages.

Battery Tray Access and Setup

1. Remove clip to open battery access door
2. Slide battery in to check height
3. Remove X4 M3x8mm AXA114 Screw
4. Drop battery clamp down to required battery height.
Snug fit required
5. Reinstall X4 M3x8mm AXA114 Screws

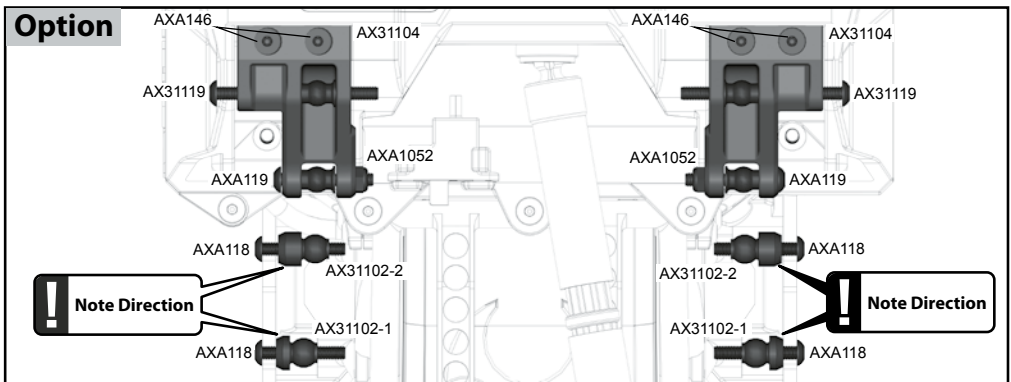
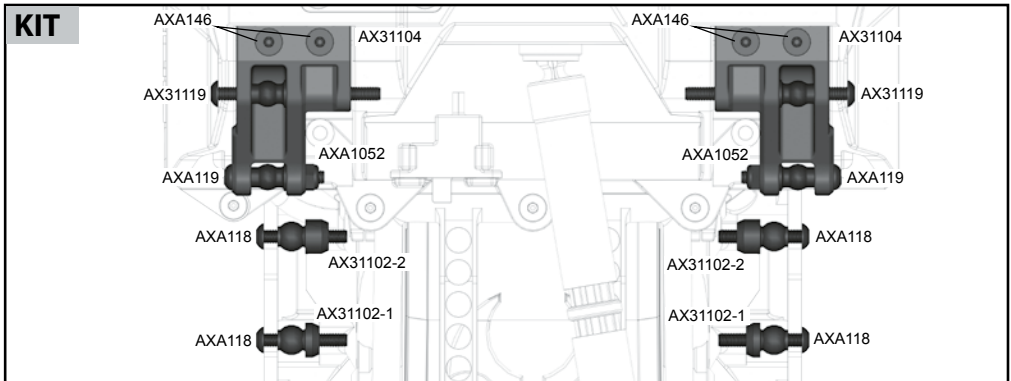


Rear Suspension Tuning Upper Link Adjustments

- AX31104 Mounts can be installed on either side of the AX31103 Chassis Tub

- Swapping the AX31104 mounts will provide a suspension more suited to low speed technical terrain. This also requires flipping the upper shock bushings. The RTR stock setup is more suited for high speed stability.

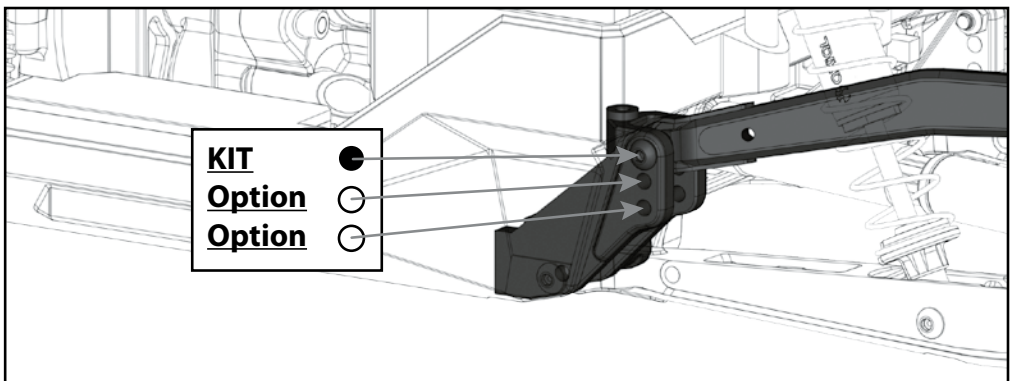
- Upper Shock bushings rotated to relocate shocks and line up with AX31109 Lower Links.



- Moving the upper links at the chassis will change the anti-squat characteristics of the Yeti under power.

- RTR Stock: Upper hole, more Anti-Squat for more rear traction under power.

- Optional lower holes, less Anti-Squat for less rear traction under power.

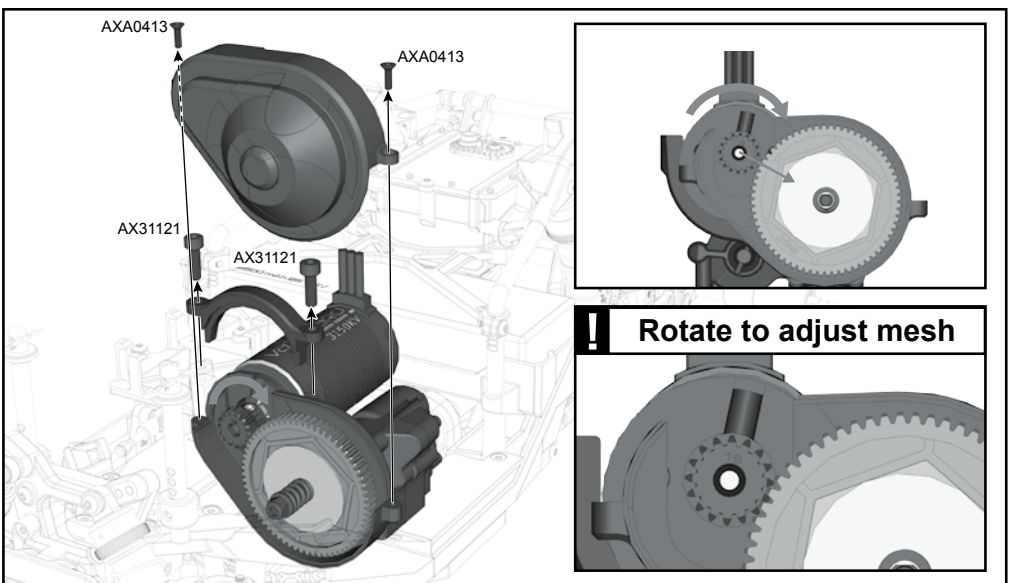


Gear Mesh Adjustment

- Remove X2 M2.6x8mm AXA0413 Flatheads from AX31107 Spur Cover to gain access to spur and pinion

- Loosen X2 M4x12mm AX31121 Capheads from AX31106 Motor Mount Clamp

- Rotate the motor and motor mount assembly to fine tune gear mesh



Parts List

| Part # | Description | Part # | Description |
|---------|--|---------|---|
| AX30112 | Shock Diaphragm 13x4.5mm (6pcs) | AX80002 | Diff Case -Small |
| AX30113 | Rubber Bump Stop 3.6x7x4 (6pcs) | AX80006 | Servo Set |
| AX30147 | Shock Shaft 3x53.5mm (2pcs) | AX80018 | Hardware Parts Tree |
| AX30163 | Pin 2.0x10mm (6pcs.) | AX80033 | 10mm Shock Parts Tree 1 |
| AX30170 | Shaft 3 x 22 (2pcs) | AX80034 | 10mm Shock Parts Tree 2 |
| AX30229 | Spring 14x54mm 4.33 lbs/in - Firm (Yellow) - (2pcs) | AX80035 | 10mm Shock Caps Parts Tree |
| AX30381 | EXO Heavy Duty Differential Output Shaft (2pcs) | AX80069 | AR60 OCP Axle Housing |
| AX30382 | EXO Steering King Pin (TiN Coated) (2pcs) | AX80070 | AR60 OCP Differential Cover |
| AX30383 | EXO Heavy Duty Differential Input Shaft (2pcs) | AX80071 | AR60 OCP Straight Axle Adapter |
| AX30385 | Diff Gasket 16x25x0.5mm (2pcs) | AX80072 | AR60 OCP 4-Link Mount |
| AX30390 | Differential Gear Set | AX80091 | EXO Bulkhead |
| AX30395 | Heavy Duty Bevel Gear Set - 38T/13T | AX80103 | EXO Rear Light Bezel and Radiator Set |
| AX30413 | Slipper spring 8.5x12 165 lbs/in - Black (2pcs) | AX80106 | EXO Steering Knuckle Carrier Set |
| AX30429 | 12mm Aluminum Hub (Black) (4pcs) | AX80111 | EXO Lower Front Control Arms Set |
| AX30438 | Machined Shock Piston 10mm - 1.2x2 (4pcs) | AXA0023 | M2.6x8mm Cap Head (Black) (10pcs) |
| AX30500 | Heavy Duty Locker (2pcs) | AXA0109 | M3x10mm Oversized Flat Hex Socket (Black) (10pcs) |
| AX30776 | AR60 OCP Rear Axle Set (2pcs) | AXA0113 | M3x6mm Hex Socket Button Head (Black) (10pcs) |
| AX30842 | Pinion Gear 32P 16T (5mm shaft) | AXA0125 | M3x35mm Hex Socket Button Head Screw Shaft (Black) (6pcs) |
| AX31028 | Pin 2.0x11mm (6pcs) | AXA0128 | M3x61mm Hex Socket Button Head Screw Shaft (Black) (6pcs) |
| AX31049 | Helmet Set (Black) | AXA013 | M2x6 mm Cap Head (Black) (10pcs) |
| AX31054 | Shock Shaft 3x71mm (2pcs) | AXA0147 | M3x16mm Hex Socket Flat Head (Black) (10pcs) |
| AX31058 | Yeti™ Rear Sway Bar (3pcs) (Soft, Medium, Firm) | AXA015 | M2x10mm Cap Head (Black) (10pcs) |
| AX31059 | Slipper Plate Washer 33x11mm (2pcs) | AXA0181 | M3x4mm Set Screw (Black) (10pcs) |
| AX31060 | Servo Saver Spring 13x9.25mm 104 lbs/in (2pcs) | AXA0286 | Screw Shaft M4x2.5x12mm (6pcs) |
| AX31061 | M2.6x18mm Hex Socket Tapping Button Head (Black) (10pcs) | AXA0412 | M2.6x6mm Hex Socket Tapping Flat Head (Black) (10pcs) |
| AX31065 | Spur Gear 32P 64T | AXA0413 | M2.6x8mm Hex Socket Tapping Flat Head (Black) (10pcs) |
| AX31067 | Slipper Plate (2pcs) | AXA0422 | M2.6x6mm Hex Socket Tapping Button Head (Black) (10pcs) |
| AX31068 | Slipper Pad 32.8x15.2x1mm (2pcs) | AXA0424 | M2.6x10mm Hex Socket Tapping Button Head (Black) (10pcs) |
| AX31077 | 2.2 Falken Wildpeak M/T - R35 Compound (2pcs) | AXA0425 | M2.6x12mm Hex Socket Tapping Button Head (Black) (10pcs) |
| AX31083 | Radio Box Seals | AXA0437 | M3x15mm Hex Socket Tapping Button Head (Black) (10pcs) |
| AX31102 | Yeti™ Rear Cage Components | AXA0440 | M3x20mm Hex Socket Tapping Button Head (Black) (10pcs) |
| AX31103 | Yeti™ Molded Chassis Tub | AXA087 | M3x16mm Cap Head (Black) (10pcs) |
| AX31104 | Yeti™ Chassis Components | AXA091 | M3x30mm Cap Head - Black (10pcs) |
| AX31105 | Yeti™ Chassis Electronic Components | AXA1041 | M2.5 Nylon Locking Hex Nut - Silver (10pcs) |
| AX31106 | 2-Speed Hi/Lo Transmission Motor Mount | AXA1045 | M4 Nylon Lock Nut (Black) (10pcs) |
| AX31107 | 2-Speed Hi/Lo Transmission Spur Gear Cover | AXA1052 | M3 Thin Nylon Locking Hex Nut (Black) |
| AX31108 | 2-Speed Hi/Lo Transmission Case | AXA1053 | M3 Nylon Locking Hex Nut (Black) (10pcs) |
| AX31109 | Yeti™ Rear 4 Link Set | AXA1059 | 6mm Body clip (Black) (10pcs) |
| AX31110 | Yeti™ Steering Knuckle Set | AXA1069 | Washer 2.7x6.7x0.5 (10pcs) |
| AX31111 | Yeti™ Shock Tower and Body Post Set | AXA1071 | Washer 4x8x0.5mm (10pcs) |
| AX31112 | Yeti™ Front Bumper Set | AXA114 | M3x8mm Hex Socket Button Head (Black) (10pcs) |
| AX31113 | Yeti™ Rear Sway Bar Mount Set | AXA115 | M3x10mm Hex Socket Button Head (Black) (10pcs) |
| AX31114 | WB8-HD Driveshaft | AXA116 | M3x12mm Hex Socket Button Head - Black (10pcs) |
| AX31115 | Y-380 Cage Sides (Left and Right) | AXA1162 | O-Ring 5x1mm (10pcs) |
| AX31116 | Y-380 Cage Front and inserts | AXA117 | M3x15mm Hex Socket Button Head (Black) (10pcs) |
| AX31117 | Y-380 Cage Top, Rear and Tire Carrier | AXA118 | M3x18mm Hex Socket Button Head - Black (10pcs) |
| AX31119 | M3x35mm Hex Socket Button Head (Black) (10pcs) | AXA1184 | O-Ring 7.5x1.5mm (S8) - (10pcs) |
| AX31121 | M4x12mm Cap Head (Black) (10pcs) | AXA119 | M3x20mm Hex Socket Button Head (Black) (10pcs) |
| AX31122 | Double Shear Steering Rack | AXA1202 | O-Ring 3.5x2mm (10pcs) |
| AX31125 | Yeti™ Fuel Cell | AXA121 | M3x30mm Hex Socket Button Head (Black) (10pcs) |
| AX31127 | 2-Speed Hi/Lo Transmission Top Shaft (5x91mm) | AXA1213 | Bearing 5x8x2.5mm (2pcs) |
| AX31129 | 2-Speed Hi/Lo Transmission Bottom Shaft (5x75mm) | AXA1221 | Bearing 5x11x4mm (2pcs) |
| AX31130 | High Speed Transmission Gear Set (48P 26T, 48P 28T) | AXA1230 | Bearing 10x15x4mm |
| AX31131 | T-Case Gear Set (32P 15T, 32P 15T, 32P 27T) | AXA1391 | E4 e-clip (10pcs) |
| AX31134 | 2-Speed Hi/Lo Transmission Output Shaft (5x35mm) | AXA1393 | E2.5 e-clip (10pcs) |
| AX31135 | Universal Axle Set 94mm (2pcs) | AXA144 | M3x8mm Hex Socket Flat Head (Black) (10pcs) |
| AX31139 | Center Driveline Universal Shaft (103mm) | AXA146 | M3x12mm Hex Socket Flat Head - Black (10pcs) |
| AX31140 | Y-380 1/10th Scale Body - .040" (Clear) | AXA148 | M3x18mm Hex Socket Flat Head (Black) (10pcs) |
| AX31141 | Y-380 1/10th Scale Interior - .040" (Clear) | AXA150 | M3x25mm Hex Socket Flat Head (Black) (10pcs) |
| AX31148 | WB8-HD Driveshaft Coupler Set | AXA1635 | M3x35mm Turnbuckle (2pcs) |
| AX31155 | Spring 14x90mm 1.14 lbs/in - Orange (2pcs) | AXA180 | M3x3mm Set Screw (Black) (10pcs) |
| AX31178 | 2.2 Method Beadlock Wheels - IFD™ Wheels - Black(2pcs) | AXA291 | M4x4mm Set Screw (Black) (6pcs.) |
| AX31186 | M4 Rod End Set | AXA435 | M3x10mm Hex Socket Tapping Button Head (Black) (10pcs) |
| AX31187 | Icon Aluminum Shock Body 12x41.5mm (2pcs) | AXA436 | M3x12mm Hex Socket Tapping Button Head (Black) (10pcs) |
| AX31189 | Icon Aluminum Shock Body 12x59mm (2pcs) | AXA464 | M3x8mm Hex Socket Tapping Flat Head (Black) (10pcs) |
| AX31192 | Steel Steering Post (2pcs) | | |
| AX31245 | Lower Link Plate Set (Aluminum) (4pcs) | | |
| AX31246 | M4x55 Turnbuckle (Aluminum) (2pcs) | | |
| AX31247 | M4x60 Turnbuckle (Aluminum) (2pcs) | | |
| AX31250 | M4 Serrated Nylon Lock Nut (Black) (10pcs) | | |
| AX31266 | IFD™ Hex Hub Adapter (2pcs Narrow, 2pcs Wide) | | |

Option Parts

| Part # | Description | Part # | Description |
|---------|---|---------|--|
| AX08135 | 2.2 Raceline Renegade Wheels - 41mm Wide (Black) (2pcs) | AX31190 | Icon Aluminum Shock Body 12x65mm (2pcs) |
| AX08137 | 2.2 Raceline Renegade Wheels - 41mm Wide (Chrome/Black) (2pcs) | AX31193 | Shock Shaft 3x77mm (2pcs) |
| AX08141 | 2.2 Trail Ready HD Series Beadlock w/Slim Ring - IFD™ Wheels - Black(2pcs) | AX31244 | Upper Link Plate Set (Aluminum) (4pcs) |
| AX08142 | 2.2 Trail Ready HD Series Beadlock w/Slim Ring - IFD™ Wheels - Chrome/Black(2pcs) | AX31249 | Yeti™ Turnbuckle Set (Aluminum) (4pcs) |
| AX12015 | 2.2 Ripsaw Tires - R35 Compound (2pcs) | AX80085 | Universal Mount 5 Bucket Light Bar (Black) |
| AX12021 | 2.2 BFGoodrich Krawler T/A - R35 Compound (2pcs) | AX80086 | Light Bar Lenses (Clear) (5pcs) |
| AX12022 | 2.2 Maxxis Trepador Tires - R35 Compound (2pcs) | AX80115 | Light Bar Lens Grills (Axial, PIAA, Un-Marked) |
| AX24010 | Brushless 2900KV Electric Motor | AX80131 | Helmet Set (White) |
| AX24251 | Axial NVS - Night Visions System | AXA1076 | Cap Head Washer M3x10mm (4pcs) |
| AX24252 | Axial Double LED Light String (White LED) | AXA1101 | Cone Washer 3x6.9x2mm (6pcs) |
| AX24253 | Axial Double LED Light String (Red LED) | AXA1104 | Cone Washer 3x6.9x2mm - Orange (6pcs) |
| AX24254 | Axial Double LED Light String (Orange LED) | AXA1105 | Cone Washer 3x6.9x2mm - Grey (6pcs) |
| AX24255 | Axial Single LED Light String (White LED) | AXA1331 | Flanged Ball 3x5.8x7mm (6pcs) |
| AX24256 | Axial 5 LED Light String (White LED) | AXA1412 | 0.5x6mm Spacer - Grey (6pcs) |
| AX24257 | Simple LED Controller w/LED lights (4 white and 2 Red) | AXA1413 | 1x6mm Spacer - Grey (6pcs) |
| AX24258 | 4 LED Light String (White LED) | AXA1414 | 2x6mm Spacer - Grey (6pcs) |
| AX30091 | 67-90mm Shock Set - 10mm Piston (2pcs) | AXA1415 | 3x6mm Spacer - Grey (6pcs) |
| AX30092 | Axial 72-103mm Shock Set - 10mm Piston (2pcs) | AXA1416 | 4x6mm Spacer - Grey (6pcs) |
| AX30110 | Axial Aluminum 13mm Aluminum Preload Collar (2pcs) | AXA1417 | 5x6mm Spacer - Grey (6pcs) |
| AX30111 | Axial Aluminum Shock Cap (2pcs) | AXA1418 | 6x6mm Spacer - Grey (6pcs) |
| AX30120 | Axial Aluminum Shock Body 12x47.5mm (2pcs) | AXA1419 | 7x10mm Post - Grey (2pcs) |
| AX30155 | Shock Shaft 3x59.5 (2pcs) | AXA1420 | 7x15mm Post - Grey (2pcs) |
| AX30213 | Spring 14x90mm 1.32 lbs/in - Red (2pcs) | AXA1421 | 7x20mm Post - Grey (2pcs) |
| AX30214 | Spring 14x90mm 1.71 lbs/in - White (2pcs) | AXA1422 | 7x25mm Post - Grey (2pcs) |
| AX30215 | Spring 14x90mm 2.25 lbs/in - Medium (Green) | AXA1423 | 7x30mm Post - Grey (2pcs) |
| AX30216 | Spring 14x90mm 2.78 lbs/in - Firm (Yellow) | AXA1424 | 7x35mm Post - Grey (2pcs) |
| AX30217 | Spring 14x90mm 3.01 lbs/in - Super Firm (Blue) | AXA1425 | 7x40mm Post - Grey (2pcs) |
| AX30226 | Spring 14x54mm 2.64 lbs/in - Super Soft (Red) - (2pcs) | AXA1426 | 7x45mm Post - Grey (2pcs) |
| AX30227 | Spring 14x54mm 3.4 lbs/in - Soft (White) - (2pcs) | AXA1427 | 7x50mm Post - Grey (2pcs) |
| AX30228 | Spring 14x54mm 3.85 lbs/in - Medium (Green) - (2pcs) | AXA1428 | 7x55mm Post - Grey (2pcs) |
| AX30230 | Spring 14x54mm 4.95 lbs/in - Super Firm (Blue) - (2pcs) | AXA1429 | 7x60mm Post - Grey (2pcs) |
| AX30401 | Heavy Duty Bevel Gear Set - 36T/14T | AXA1430 | 7x65mm Post - Grey (2pcs) |
| AX30402 | Heavy Duty Bevel Gear Set - 43T/13T | AXA1431 | 7x70mm Post - Grey (2pcs) |
| AX30709 | Universal 5 Bucket Light Bar Set | | |
| AX30811 | EXO™ Machined Aluminum Front Toe Block F1 (Hard Anodized) | | |
| AX30829 | AR60 OCP Machined Low-Profile Differential Cover | | |
| AX30830 | Axial AR60 OCP Machined Link Mounts | | |
| AX30831 | AR60 OCP™ Front Axle Set (Complete) | | |
| AX30834 | Aluminum Servo Horn 23T | | |
| AX30835 | Aluminum Servo Horn 24T | | |
| AX30836 | Aluminum Servo Horn 25T | | |
| AX30837 | Pinion Gear 32P 11T (5mm shaft) | | |
| AX30838 | Pinion Gear 32P 12T (5mm shaft) | | |
| AX30839 | Pinion Gear 32P 13T (5mm shaft) | | |
| AX30840 | Pinion Gear 32P 14T (5mm shaft) | | |
| AX30841 | Pinion Gear 32P 15T (5mm shaft) | | |
| AX30843 | Pinion Gear 32P 17T (5mm shaft) | | |
| AX31074 | IFD™ Hex Hub Conversion Set (12mm) (4pcs) | | |
| AX31097 | 3 Port High Output LED Controller | | |
| AX31098 | 8 LED Light String (White LED) | | |
| AX31136 | Icon 87-125mm Aluminum Shock Set - 10mm Piston (2pcs) | | |
| AX31152 | Universal Rigid Light Bar Set | | |
| AX31153 | Spring 14x90mm 0.90 lbs/in - Black (2pcs) | | |
| AX31154 | Spring 14x90mm 1.01 lbs/in - Purple (2pcs) | | |
| AX31156 | Machined Adjustable Motor Mount (Hard Anodized) | | |
| AX31160 | Steel Spur Gear 32P 68T | | |
| AX31161 | Steel Spur Gear 32P 64T | | |
| AX31162 | Steel Spur Gear 32P 60T | | |
| AX31163 | Steel Spur Gear 32P 56T | | |
| AX31164 | Machined Slipper Plate (Hard Anodized) (2pcs) | | |
| AX31165 | Machined 4 Link Mounts (Hard Anodized) (2pcs) | | |
| AX31166 | Machined Shock Mount Plates (Hard Anodized) (2pcs) | | |
| AX31167 | Machined Sway Bar Clamp (Hard Anodized) (2pcs) | | |
| AX31169 | Machined Body Post Mount (Hard Anodized) | | |
| AX31170 | Machined Front Shock Tower (Hard Anodized) | | |
| AX31171 | Icon 72-103mm Aluminum Shock Set - 10mm Piston (2pcs) | | |
| AX31172 | Icon 67-90mm Aluminum Shock Set - 10mm Piston (2pcs) | | |
| AX31173 | Icon 93-137mm Aluminum Shock Damper Set - 10mm Piston (2pcs) | | |
| AX31174 | Y-380 1/10th Scale Body - .040" (Pre-Painted) (White, Blue, Pink) | | |
| AX31182 | Front Differential Locker | | |
| AX31188 | Icon Aluminum Shock Body 12x47.5mm (2pcs) | | |



EXPLORE

facebook.com/axialinc | twitter.com/axialrc | youtube.com/axialvideos | flickr.com/axialrc



26022 PALA
MISSION VIEJO, CA 92691

AX90025-1001

www.axialracing.com