



GRANITE RAIDER

FURY VORTEKS

INSTRUCTION MANUAL

BEDIENUNGSANLEITUNG
MODE D'EMPLOI
MANUAL DE INSTRUCCIONES
说明书
取扱説明書

ARMOR



Option Parts

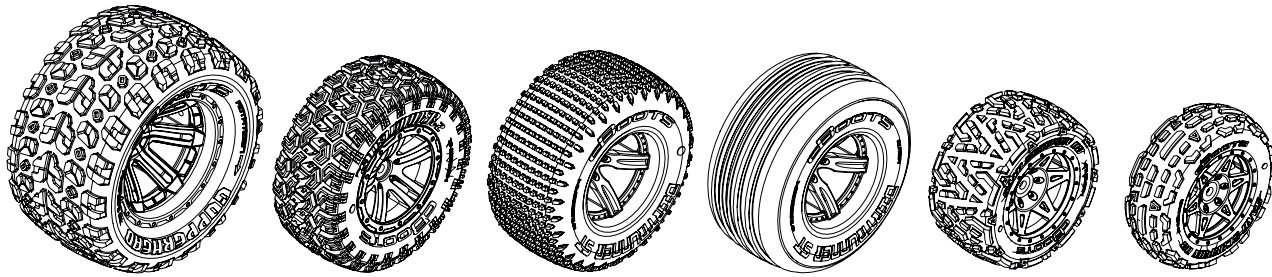
Tuningteile

Pièces d'options

Piezas Opción

オプションパーツ

選配件

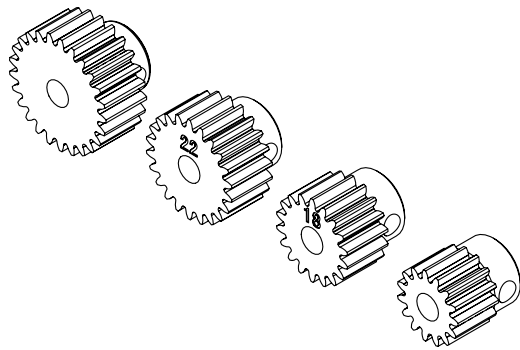


(Black Chrome)

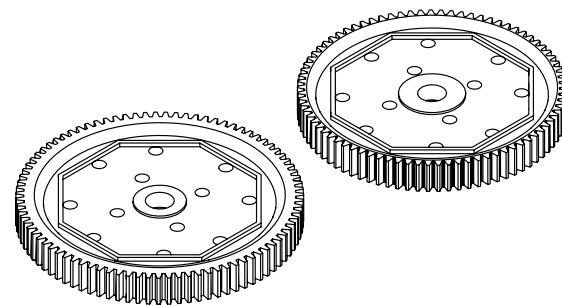
(Chrome)

- AR550004 DBOOTS 'COPPERHEAD MT' TYRE SET GLUED (2pcs)
- AR550005 DBOOTS 'SAND SCORPION DB' TYRE SET GLUED (2pcs/FRONT)
- AR550006 DBOOTS 'SAND SCORPION DB' TYRE SET GLUED (2pcs/REAR)
- AR550007 DBOOTS 'SIDEWINDER 2 SC' TYRE SET GLUED (2pcs)
- AR550008 DBOOTS 'DIRTRUNNER ST' TYRE SET GLUED (2pcs/FRONT)
- AR550009 DBOOTS 'DIRTRUNNER ST' TYRE SET GLUED (2pcs/REAR)
- AR550020 DBOOTS 'SAND SCORPION DT' TYRE SET GLUED (2pcs)

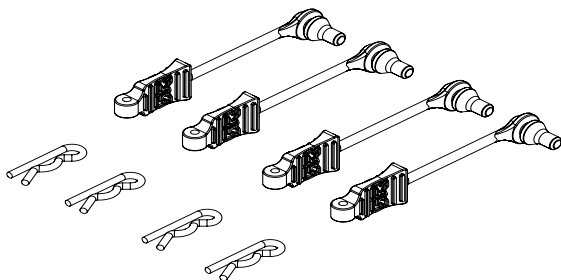
- AR550028 DBOOTS 'COPPERHEAD MT' TYRE SET GLUED (2pcs)
- AR550029 DBOOTS 'SAND SCORPION DB' TYRE SET GLUED (2pcs/FRONT)
- AR550030 DBOOTS 'SAND SCORPION DB' TYRE SET GLUED (2pcs/REAR)
- AR550031 DBOOTS 'SIDEWINDER 2 SC' TYRE SET GLUED (2pcs)
- AR550032 DBOOTS 'DIRTRUNNER ST' TYRE SET GLUED (2pcs/FRONT)
- AR550033 DBOOTS 'DIRTRUNNER ST' TYRE SET GLUED (2pcs/REAR)



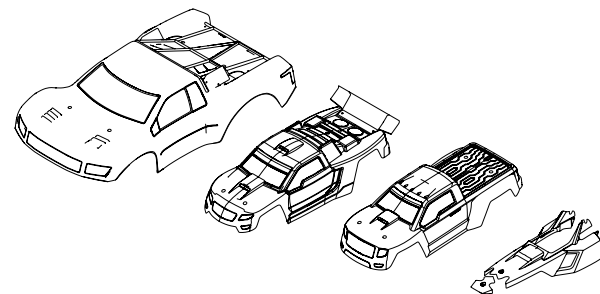
- AR310372 PINION GEAR (15T,48DP)
- AR310124 PINION GEAR (18T,48DP)
- AR310062 PINION GEAR (22T,48DP)
- AR310374 PINION GEAR (25T,48DP)



- AR310021 SPUR GEAR (81T,48DP)
- AR310019 SPUR GEAR (87T,48DP)



- AR390165 BODY CLIP RETAINERS 1/10 SCALE (BLACK, 4pcs)



- AR402110 RAIDER CLEAR BODYSHELL (inc. decals)
- AR402114 VORTEKS CLEAR BODYSHELL AND WING (inc. decals)
- AR402115 GRANITE CLEAR BODYSHELL (inc. decals)
- AR402120 FURY CLEAR BODYSHELL (inc. decals)



Contents	Page	Page
Warnings	5	Spur/Pinion Mesh Adjustment
Warranty	6	Slipper Pad Replacement
Support	17	Driveshaft Maintenance
Kit Overview	18	Axle Maintenance
Required	18	Wheel Bearing Replacement
Radio Gear	19	Motor Removal
Electronic Speed Controller (ESC)	23	Differential Removal and Replacement
Battery Mode	24	Receiver Access
Battery Charging	24	Steering Access
Battery Fitting	25	Servo Removal
Running	25	Exploded Views
Post-Drive Checks	25	Exploded View Front
MAINTENANCE		Exploded View Centre
Recommended Tools	26	Exploded View Rear
Maintenance Schedule	26	Exploded View Gearbox
Chassis Maintenance	27	CE Declaration of Conformity
Wheel and Tire Maintenance	27	Upgrade Parts
Slipper Clutch Adjustment	28	



Inhalte	Seite	Seite
Warnhinweise	7	Einstellung des Zahnflankenspiels
Garantie	8	Wechsel der Kupplungsbeläge
Support	17	Wartung der Antriebswellen
Überblick	18	Wartung der Achsen
Benötigt	18	Wechsel der Radlager
Fernlenkanlage	19	Motorausbau
Elektronischer Fahrtregler (ESC)	23	Differentialausbau und -wechsel
Akkumodus	24	Zugang zum Empfänger
Akkuladung	24	Zugang zur Lenkung
Akkueinbau	25	Servoausbau
Fahren	25	Explosionszeichnungen
Wartung nach dem Fahren	25	Explosionszeichnung Vorderachse
WARTUNG		Explosionszeichnung Mittelantrieb
Benötigte Werkzeuge	26	Explosionszeichnung Hinterachse
Wartungsplan	26	Explosionszeichnung Getriebe
Chassiswartung	27	CE-Erklärung
Felgen- und Reifenwartung	27	Tuningteile
Einstellung der Rutschkupplung	28	



Contenu	Page	Page
Avertissements	9	Ajustement de l'entre-dent pignon/couronne
Garantie	10	Garniture de remplacement du slipper
Support	17	Entretien de l'Arbre de transmission
Présentation du Kit	18	Entretien de l'essieu
Matériel requis	18	Changement de roulement à billes de roue
Radio	19	Démontage du moteur
Contrôleur de vitesse électronique (ESC)	23	Démontage et changement du différentiel
Mode de batterie	24	Accès au récepteur
Batterie en charge	24	Accès au servo
Placement de la batterie	25	Démontage du servo
Fonctionnement	25	Vues éclatées
Vérifications avant roulage	25	Vue éclatée de face
ENTRETIEN		Vue éclatée centrale
Outils recommandés	26	Vue éclatée arrière
Calendrier de maintenance	26	Vue éclatée du boîtier de transmission
Entretien du châssis	27	Déclaration de conformité CE
Entretien des Roues et des pneus	27	Pièces de mise à niveau
Réglage de l'embrayage à glissement limité "Slipper"	28	



Contenidos	Página	Página	
Advertencias	11	Ajuste del ataque piñón/corona	29
Garantía	12	Sustitución de las zapatas del Slipper	29
Soporte	17	Mantenimiento de palieres	30
Descripción general del kit	18	Mantenimiento de ejes	31
Necesario	18	Sustitución de rodamientos de rueda	31
Equipo de radio	19	Desmontaje del motor	32
Variador electrónico de velocidad (ESC)	23	Desmontaje y sustitución del diferencial	33
Modo de batería	24	Acceso al receptor	35
Batería cargando	24	Acceso a la dirección	35
Montaje de la batería	25	Desmontaje del servo	36
Funcionamiento	25	Vista detallada	
Comprobaciones tras la utilización	25	Vista detallada frontal	37
MANTENIMIENTO		Vista detallada central	40
Herramientas recomendadas	26	Vista detallada trasera	43
Programa de mantenimiento	26	Vista detallada de la caja de transmisión	46
Mantenimiento del chasis	27	Declaración de conformidad CE	47
Mantenimiento de llantas y neumáticos	27	Piezas opcionales	49
Ajuste del Slipper	28		



コンテンツ	ページ	ページ	
警告	13	齿轮间隙调节	29
保修	14	限滑板更换	29
技术支持	17	驱动轴维护	30
部件概况	18	轮轴维护	31
要求的	18	车轮轴承更换	31
遥控设备	19	马达拆除	32
电调	23	差速器拆除和更换	33
电池模式	24	接收机接口	35
电池充电	24	转向接口	35
电池固定	25	舵机拆除	36
运行时	25	爆炸视图	
赛后检查	25	前部爆炸视图	37
维护		中部爆炸视图	40
推荐工具	26	尾部爆炸视图	43
维护周期	26	齿轮箱爆炸视图	46
车架维护	27	CE 符合性声明	47
车轮和轮胎维护	27	升级件	49
限滑离合器调节	28		



内容	頁	頁	
警告	15	スパー/ピニオンメッシュ調整	29
保証	16	スリッパパッドの交換	29
サポート	17	ドライブシャフトのメンテナンス	30
キットの概要	18	アクスルメンテナンス	31
必須	18	ホイールベアリングの交換	31
ラジオギア	19	モーターの取り外し	32
スピードコントローラー (ESC)	23	差動取り外しおよび取り付け	33
バッテリーモード	24	レシーバーアクセス	35
バッテリーの充電	24	ステアリングアクセス	35
バッテリーフィッティング	25	サーボの取り外し	36
ランニング	25	分解図	
ポストドライブのチェック	25	分解図フロント	37
メンテナンス		分解図センター	40
奨励するツール	26	分解図背面	43
保守計画	26	分解図ギアボックス	46
シャーシのメンテナンス	27	CE 適合宣言書	47
ホイールとタイヤのメンテナンス	27	アップグレードパーツ	49
スリッパークラッチの調整	28		



Warning

ALWAYS

- Always operate your ARRMA vehicle away from public highways, bystanders, children and animals.
- Always disconnect the battery when vehicle is not in use. Store batteries according to manufacturer's instructions.
- Always keep clear of wheels and/or moving parts on the vehicle, never pick up a vehicle when the wheels are rotating.
- Always operate your ARRMA vehicle from a position that allows maximum visibility. Do not operate vehicle at night.
- Always check your ARRMA vehicle prior to running. If damage is found, replace or repair immediately. Frequently check that all screws and wheel nuts are tight.
- Always use new/charged and matching batteries in your transmitter for optimum control.
- Always 'Run-in' your vehicles brushed motor prior to use. ARRMA recommend supporting the vehicle with the drive wheels clear of the ground and run it at constant, low to half throttle for at least three full battery packs.
- Always perform a 'range' test before a high speed run. ARRMA recommend supporting the vehicle with the wheels clear of the ground at the furthest point in the area you wish to run it, then take up the position you plan to drive from and steer the vehicle left to right. If there is no interference the steering will operate as intended. This is easier with a second person.
- Always remain within sight of batteries whilst charging; do not leave them unattended.
- Always use due care and common sense when operating a high performance RC vehicle.
- Always fully read the manuals and warnings that come with your ARRMA vehicle and with any accessories that are required to run it.

REMEMBER

- Motors and Electronic Speed Controllers (ESCs) will get hot during use, especially running high-speed gearing. DO NOT touch motors or ESCs during or immediately after use.
- The surface you choose to run on will influence the final speed you can achieve. Hard, flat surfaces are recommended for high-speed runs.
- The ambient conditions will influence the final speed you can achieve. Ideal conditions are dry, clear weather with little or no wind. Low - Moderate temperature and humidity.
- The capacity/quality of your chosen batteries will influence the final speed you can achieve.
- Your ARRMA vehicle is radio controlled and may come into conflict with interference that is outside of your control. Leave a safe margin around the vehicle when operating such that if you were to lose control, you will not damage the vehicle, hurt yourself or others.
- Brushed motors need to be run-in, cleaned regularly and treated with care. Use of brushed motors in high temperatures, without adjusting the gearing, can reduce lifespan. Use of brushed motors in dusty conditions can damage the internals of the motor. Clean and inspect your brushed motor regularly with motor cleaning spray available from your local hobby shop.

IMPORTANT GEARING NOTICE

- Optional high speed gearing recommendations are for high speed running on hard, flat surfaces only. Do not use for off-road or high-load repetitive start-stop driving, as this will overheat the motor and/or speed controller which could cause failure.
- Check motor and ESC temperatures regularly, especially in hot climates. The maximum safe temperatures are:
 - 70 degrees Celsius / 170 degree Fahrenheit for ESCs.
 - 80 degrees Celsius / 180 degrees Fahrenheit for motors.
- If motors or ESCs exceed 95 degrees Celsius / 200 degrees Fahrenheit it can shorten their life or cause failure. If in doubt regarding temperatures, allow your vehicle time to cool down between runs.

IMPORTANT LIPO BATTERY WARNINGS

- LiPo batteries carry a greater fire risk than other types of rechargeable batteries and need to be treated with extra care. Always follow the warnings and manufacturers' instructions.
- Always ensure your ESC's battery mode is set to LiPo if using LiPo batteries. Failure to do so will over-discharge the battery and may lead to battery damage, fire, personal injury and property damage.
- Always use a flame retardant LiPo charging bag/box and a specifically designed balancing LiPo charger when charging LiPo batteries. Failure to do so can lead to fire, personal injury and property damage.
- Never 'Balance Charge' the LiPo battery at a rate or voltage higher than the maximum specified by the battery manufacturer.
- Always store LiPo batteries in a flame retardant LiPo bag/box and away from flammable objects. ARRMA recommend storing LiPos in an outbuilding away from the home.
- Always charge LiPo batteries in a well-ventilated space.
- Always remain within sight of batteries whilst charging; do not leave them unattended.
- NEVER use a LiPo pack that has signs of damage or swelling. Swelling is a sign of internal damage and the battery needs to be disposed of correctly*. If a LiPo pack swells during charging or use, disconnect immediately and place in an open area and observe for at least one hour. After one hour dispose of the battery correctly*.
- *DO NOT DISPOSE OF LIPO BATTERIES WITH NORMAL WASTE. To safely discharge of LiPo batteries, fill a plastic container with enough water to completely submerge the pack. Dissolve salt in the water until the water becomes opaque. Place the LiPo battery in the water and leave for 24hrs. Using a voltmeter, check the voltage of the pack; if the voltage is 0.0v then the battery is ready for disposal. If the voltage is above 0.0v, leave the battery in the salt bath until the voltage drops to 0.0v. Contact your local disposal authority or recycling centre for further recycling/disposal instructions.

ARRMA TERMS OF USE

- It is the buyer's (your) responsibility to operate this product safely. It is necessary to be above 14 years of age to operate this model.
- The buyer assumes all risk associated with using this product. ARRMA, its affiliates, manufacturers, distributors, and retail partners cannot control the use, application, charging or installation of this product and shall not be held responsible for any accident, injury to persons or damage to property resulting from the use of this product.
- After reading all, if you do not agree with these terms and conditions, and you are not prepared to accept complete liability for the use of this product, return this product immediately in new/unused condition to your place of purchase. Your retailer cannot accept this product for return or exchange if it has been used in any way.





Warranty Garantie Garantie Garantia 保証についての 保固



IT IS THE PARENTS' OR GUARDIANS' RESPONSIBILITY TO ENSURE MINORS RECEIVE APPROPRIATE GUIDANCE AND/OR SUPERVISION WHEN USING OR WORKING ON THIS PRODUCT.

THIS IS A COMPLEX HIGH PERFORMANCE RC MODEL AND MUST BE TREATED WITH CARE AND RESPECT. The instruction manual included in this kit is comprehensive and contains all the information required to operate the product. Exploded drawings and guides to help maintain, upgrade and repair your product can be found online at ARRMA-RC.com

ARRMA HAVE MADE EVERY EFFORT TO ENSURE YOUR PRODUCT IS AS STRONG AND DURABLE AS POSSIBLE. HOWEVER, IT IS STILL POSSIBLE TO BREAK OR CAUSE DAMAGE BY CRASHING OR MISUSE. Some parts are consumables and will wear with use (clutch-pads, brakes, tyres etc). More extreme or frequent use will increase the wear rate of these components. Always check these parts before and after using your kit and replace before failure. Upgraded parts may put extra strain on standard parts. Always ensure that the tyres, wheels and transmission handle the increase in power/speed. If not, visit ARRMA-RC.com for details of upgrades for these areas and/or tips and tricks on how to modify them. All the parts of this car are available to be purchased separately, or as small sets, to allow you to get years of use from your kit. The bodyshell is not just for looking good, it is also designed to protect vital areas of the running gear and electronics from damage. Always run the kit with the bodyshell in place (except when breaking-in nitro engines) and ensure that the electronics/nitro engine get adequate cooling. Do not cover-over or fail to cut-out the factory recommended apertures on the body otherwise damage from overheating may occur.

IT IS THE USER'S (YOUR) RESPONSIBILITY TO OPERATE THIS PRODUCT SAFELY. If you experience problems with this product during use, it is the user's responsibility to stop the car, investigate and correct the issue before further damage and/or injury occur. The user **MUST** choose an appropriate place to run the model, safely away from potential hazards, people and animals. The user **MUST** inspect the model thoroughly before and after use to prevent problems, property damage and potential injury. The user is responsible for using the correct batteries, fuel, glues, paints, chargers and any other tools, accessories and materials required to operate and maintain this product. It is the responsibility of the the user to follow the manufacturer's guidelines and/or precautions for ancillary products.

RUNNING THE MODEL IN ADVERSE WEATHER CONDITIONS NECESSITATES MORE FREQUENT MAINTENANCE, SUCH AS CLEANING AND RE-APPLICATION OF GREASES AND OILS. Salt water is especially corrosive. Sand can damage or wear components much more quickly than dirt, gravel or grass. Water in the radio-gear and/or electronic speed controller can cause loss of control and may cause damage to the model, property or yourself! Water intake to a nitro or petrol engine can cause hydraulic lock in the cylinder(s) causing damage and leading to engine failure.

ARRMA OPERATE AN EXTENSIVE TEST PROGRAM ON ALL PRODUCTS TO ENSURE THE DURABILITY AND QUALITY MATCHES OUR VERY HIGH STANDARDS. FOR THIS REASON WE OFFER A 2 YEAR WARRANTY COVERING DEFECTS IN MATERIALS, WORKMANSHIP AND ASSEMBLY. IN THE EVENT OF ANY DEFECT OCCURING IN MATERIALS, WORKMANSHIP OR ASSEMBLY OF YOUR PRODUCT WE WILL GLADLY REPAIR OR REPLACE THE DEFECTIVE COMPONENT(S) AT OUR DISCRETION.

IF A DEFECT IN MATERIALS, WORKMANSHIP OR ASSEMBLY IS FOUND BEFORE THE PRODUCT HAS BEEN USED, WE WILL EXCHANGE THE ENTIRE PRODUCT, ASSUMING THAT THE PRODUCT IS RETURNED COMPLETE AND IN PERFECT CONDITION IN ITS ORIGINAL PACKAGING. YOUR RETAILER IS LIKELY TO REQUIRE THE RECEIPT AS PROOF OF PURCHASE.

ARRMA DO NOT OPERATE A NEW FOR OLD WARRANTY ONCE THE PRODUCT HAS BEEN USED. ONCE THE PRODUCT HAS BEEN USED WE OFFER A COMPONENT LEVEL WARRANTY AND WILL REPAIR OR REPLACE THE DEFECTIVE COMPONENT(S) AT OUR DISCRETION.

NOT COVERED BY WARRANTY

CRASH DAMAGE

COMPONENT FAILURE OR PREMATURE WEAR AS A RESULT OF CRASH DAMAGE

LACK OF MAINTENANCE, IMPROPER USE OR ABUSE

NORMAL WEAR AND TEAR E.G.

Worn-out brake discs, brake shoes, drive outputs, drive-shafts, gears, bearings and belts.

WATER DAMAGE OR PROBLEMS RESULTING FROM WATER INTAKE

PULL START MECHANISMS

Pull starts should only be pulled around 20cm and cannot withstand vigorous over pulls.

CLEAR BODYSHELLS ONCE THEY HAVE BEEN PAINTED AND/OR USED

PRE-PAINTED BODIES ONCE THEY HAVE BEEN USED

At ARRMA we want you to love running your car and make owning a high performance RC model as simple as possible. If you have any questions about running, maintaining, tuning or repairing your ARRMA product there are three options for you to use to get help and advice.

Visit ARRMA-RC.com for support, parts and upgrades for your kit. 'GO FOR IT' is the worldwide owner's forum for ARRMA. Here you will find other ARRMA owners, get help and advice on how to get the best from your ARRMA product. If you can't find what you're looking for then you can always email us at support@ARRMA-RC.com and we will do our best to help you with your query.

MAKING A WARRANTY CLAIM

For warranty claims contact your supplying retailer/ dealer. You will need a copy of your dated sales receipt for the product. (Do NOT send or lose the original).

DO NOT return the product to ARRMA or your distributor/dealer without prior approval.

DO NOT return the product in full. You only need to return the damaged component. You will be instructed what to return, if anything. Any returned components should be accompanied by a completed warranty claim form which can be downloaded from ARRMA-RC.com

NOTE: Under no circumstances send your car with fuel in the fuel-tank, fuel-lines or engine.

NOTE: Any returned product, which is inspected by our service team and is found to have an invalid warranty claim may be subject to an inspection and handling fee before it can be returned.

Any repairs made to the product resulting from neglect or misuse will be charged (parts and labour) before work commences.

In many cases it is faster and more cost effective for the user to fit replacement parts to the product so we maintain the right to request this of the user.

ENGINE WARRANTY CLAIMS

For engine warranty claims contact your supplying retailer/dealer. You will need a copy of your dated sales receipt. (Do NOT send or lose the original).

DO NOT return engine components to ARRMA or your dealer without prior approval. The supplying dealer or the user may be requested to return the engine to ARRMA or its distributor for professional inspection. The engine must be returned with a completed warranty claim form which is downloadable from ARRMA-RC.com.

NOTE: The engine must be returned with the following items. Crankcase, crankshaft, piston, sleeve, connecting rod, cylinder head, complete carburettor and pull starter mechanism.

DO NOT RETURN THE CLUTCH, AIR CLEANER, MANIFOLD OR EXHAUST PIPE.

NOTE: Any returned product, which is inspected by our staff and is found to have an invalid warranty claim, may be subject to an inspection and handling charge before it can be returned.

Any repairs made to this product resulting from neglect or damage arising from misuse will be charged (parts and labour) before work commences.



ARRMA-RC.COM



GOFORIT-RC.COM



SUPPORT@ARRMA-RC.COM

ARRMA, its distributors or retailers shall not be responsible for any loss or damage, whether direct, indirect, incidental or consequential, arising from the use, misuse or abuse of this product and any accessory or chemical required to operate this product.



Achtung

IMMER

- Halten Sie immer Abstand von Bürgersteigen, öffentlichen Plätzen, Zuschauern, Kindern und Tieren, wenn Sie Ihr ARRMA-Fahrzeug fahren.
- Trennen Sie immer den Antriebsakku vom Fahrtregler, wenn das Fahrzeug nicht in Gebrauch ist. Lagern Sie den Akku gemäß den Vorgaben des Herstellers.
- Halten Sie immer Abstand von den Rädern und rotierenden Teilen des Modells, nehmen Sie das Modell nie auf, wenn sich die Räder noch bewegen.
- Stellen Sie immer sicher, dass Sie das Modell jederzeit sehen können. Fahren Sie nicht in der Dunkelheit mit Ihrem ARRMA-Fahrzeug.
- Überprüfen Sie immer Ihr ARRMA-Fahrzeug vor dem Betrieb. Sollten Sie einen Schaden feststellen, reparieren Sie diesen sofort. Überprüfen Sie auch in regelmäßigen Abständen den Sitz der Schrauben und Muttern.
- Benutzen Sie immer neue Batterien oder frisch geladene Akkus im Sender Ihres Modells, um eine maximale Reichweite sicherzustellen.
- Lassen Sie immer einen neuen Bürstenmotor vor der ersten Benutzung einlaufen. ARRMA empfiehlt, dazu das Fahrzeug mit aufgebockten Rädern und so, dass die Räder nicht den Boden berühren können, bei maximal Halbgas für drei Akkuladungen lang laufenzulassen.
- Machen Sie immer einen Reichweitentest vor einer Hochgeschwindigkeitsfahrt. Dazu platzieren Sie das Fahrzeug im aufgebockten Zustand an der äußersten Ecke des Areals, auf dem Sie fahren wollen und stellen sich dann mit dem Sender an die Stelle, von der aus Sie das Fahrzeug fahren möchten. Dann bewegen Sie die Lenkung, welche ohne Probleme Ihren Lenkbefehlen folgen muss. Eine zweite Person zum Anzeigen der Fahrzeugreaktion erleichtert den Reichweitentest.
- Bleiben Sie immer in der Nähe, wenn Sie die Akkus laden. Lassen Sie sie zu keinem Zeitpunkt unbeaufsichtigt.
- Seien Sie immer vorsichtig und vorausschauend, wenn Sie ein Hochleistungs-RC-Car fahren.
- Lesen Sie immer alle Bedienungsanleitungen, die Ihrem ARRMA-Modell sowie allen Zubehörtteilen beiliegen.

BEDENKEN SIE

- Motoren und Fahrtregler werden während des Betriebes sehr heiß, dies gilt im Besonderen bei Fahrten mit der Hochgeschwindigkeits-Getriebeuntersetzung. Fassen Sie den Motor und Regler nach der Fahrt NICHT an.
- Die Fahrbahnbeschaffenheit beeinflusst die erzielbare Höchstgeschwindigkeit. Harte, ebene Untergründe sind für Hochgeschwindigkeitsfahrten zu bevorzugen.
- Die Wetterbedingungen beeinflussen die erzielbare Höchstgeschwindigkeit. Ideale Bedingungen sind trockene Tage mit klarem Wetter und keinem bis wenig Wind bei geringer bis mittlerer Temperatur und Luftfeuchte.
- Die Kapazität/Qualität der Fahrakkus beeinflusst die erzielbare Höchstgeschwindigkeit.
- Ihr ARRMA-Modell ist funkerferngesteuert und kann deshalb durch Umstände, die sich Ihrer Kontrolle entziehen, gestört werden. Achten Sie auf ausreichend Abstand zu anderen Personen, Gegenständen und Gebäuden, um sicherzustellen, dass Sie im Fall einer Störung weder sich noch andere gefährden.
- Bürstenmotoren müssen stets eingelaufen, regelmäßig gereinigt und pfleglich behandelt werden. Verwenden Sie Bürstenmotoren bei hohen Außentemperaturen und ohne die Untersetzung anzupassen, kann dies ihre Lebensdauer verringern. Staubige Untergründe können das Innenleben des Bürstenmotors beschädigen. Säubern Sie Bürstenmotoren in regelmäßigen Abständen mittels spezieller Motorreiniger, die Sie bei Ihrem Modellbaufachhändler kaufen können.

WICHTIGER HINWEIS ZUR GETRIEBEUNTERSETZUNG

- Die Empfehlungen für die optionale Hochgeschwindigkeits-Untersetzung gelten für den Betrieb auf harten, ebenen Untergründen. Verwenden Sie diese nicht bei Fahrten im Gelände oder bei ständigem Start-Stopp-Fahren, da andernfalls der Motor und/oder Fahrtregler überhitzen und beschädigt werden könnten.
- Überprüfen Sie die Motor- und Fahrtreglertemperatur, vor allem bei hohen Außentemperaturen. Die maximal zulässigen Temperaturen betragen:
 - 70 Grad Celsius / 170 Grad Fahrenheit für den Regler.
 - 80 Grad Celsius / 180 Grad Fahrenheit für den Motor.
- Wenn Motor oder Regler heißer als 95 Grad Celsius/200 Grad Fahrenheit werden, kann dies die Lebensdauer der Teile negativ beeinflussen oder sie dauerhaft beschädigen. Wenn Sie bezüglich der Temperaturen im Zweifel sind, sollten Sie alle Komponenten zwischen den Fahrten abkühlen lassen.

WICHTIGE HINWEISE ZUR LIPO-AKKU-NUTZUNG

- LiPo-Akkus bergen eine höhere Feuergefahr als andere Energieträger und bedürfen deshalb erhöhter Vorsicht im Umgang. Folgen Sie immer den Hinweisen des Akkuherstellers.
- Benutzen Sie immer den speziellen LiPo-Modus des Fahrtreglers. Werden LiPo-Akkus mit Reglern ohne eingeschalteten LiPo-Modus benutzt, besteht die Gefahr einer gefährlichen Tiefentladung, welche zu einer Beschädigung des Akkus, der Entfachung eines Feuers und damit zu der Gefährdung und Verletzung von Personen, Gegenständen und Gebäuden führen kann.
- Verwenden Sie immer eine LiPo-Schutztasche sowie ein LiPo-fähiges Ladegerät mit Balancer-Funktion zum Laden eines LiPo-Akkus. Andernfalls besteht die Gefahr einer gefährlichen Tiefentladung, welche zu einer Beschädigung des Akkus, der Entfachung eines Feuers und damit zu der Gefährdung und Verletzung von Personen, Gegenständen und Gebäuden führen kann.
- Verwenden Sie niemals einen höheren Ladestrom und Abschaltspannung, als vom Hersteller des Akkus angegeben.
- Lagern Sie Akkus immer in einer LiPo-Schutztasche oder einer speziellen feuerfesten Kassette. ARRMA empfiehlt darüber hinaus die Akkus nicht im Haus, sondern abseits zu lagern.
- Laden Sie Akkus immer in gut belüfteten Umgebungen.
- Bleiben Sie während des Ladevorganges immer in Sichtweite, damit Sie den Akku im Blick haben. Lassen Sie ihn nie unbeaufsichtigt.
- Laden Sie NIE einen Akku, der Zeichen einer Beschädigung aufweist, oder dessen Gehäuse angeschwollen ist. Angeschwollenen Akkus deuten auf eine Beschädigung der Zellen hin und müssen fachgerecht* entsorgt werden. Sollte ein LiPo-Akku während des Ladens anschwellen, stecken Sie ihn sofort vom Ladegerät ab, legen Sie ihn außerhalb von Gebäuden, feuergefährlichen Gegenständen und Personen an einen sicheren Ort und belassen Sie ihn dort für mindestens eine Stunde. Danach muss der Akku fachgerecht* entsorgt werden.
- *ENTSORGEN SIE LIPO-AKKUS NIE IM HAUSMÜLL. LiPo-Akkus müssen über den Modellbauhandel oder über Ihren ortsansässige Recycling-Hof entsorgt werden.

ARRMA-NUTZUNGSBEDINGUNGEN

- Der Benutzer (Sie) ist für den sicheren Betrieb des Modells zuständig und verantwortlich. Kinder sollten das Modell nur unter Aufsicht benutzen.
- Der Käufer trägt die Verantwortung während der Nutzung des Produktes. ARRMA sowie alle angeschlossenen und mit ARRMA verbundenen Partner, Hersteller, Importeure und Fachhändler können keine Verantwortung und/oder Haftung für den Betrieb und das Lagern des Produktes sowie der damit verbundenen Zubehörteile übernehmen. ARRMA sowie alle angeschlossenen und mit ARRMA verbundenen Partner, Hersteller, Importeure und Fachhändler sind nicht haftbar im Falle eines durch das Produkt oder eines Zubehörteiles hervorgerufenen Schadens an Mensch oder Umwelt.
- Sollten Sie mit den oben genannten Nutzungsbedingungen nicht einverstanden sein, können Sie das Produkt in neuem, unbenutztem Zustand an Ihren Fachhändler zurückgeben. Der Fachhändler kann die Rücknahme/den Tausch verweigern, sollte das Produkt in Gebrauch gewesen sein.





Garantie



ES OBLIEGT DEN ERZIEHUNGSBERECHTIGTEN, KINDER BEI DER BENUTZUNG DIESES PRODUKTES ZU BEAUFSICHTIGEN ODER SIE KORREKT EINZUWEISEN.

TARRMA HAT ALLE VORKEHRUNGEN GETROFFEN, DIESES PRODUKT SO STABIL UND LANGLEBIG WIE MÖGLICH ZU GESTALTEN. DENNOCH KANN ES ZU BESCHÄDIGUNGEN IN FOLGE VON UNFÄLLEN KOMMEN.

Einige Teile sind so genannte Verschleisssteile und können sich während des Gebrauchs abnutzen (Kupplungsbeläge, Bremsen, Reifen, etc.). Starke oder häufige Nutzung kann diesen Verschleiß beschleunigen. Überprüfen Sie diese Teile vor und nach der Benutzung und tauschen Sie sie gegebenenfalls aus. Tuningteile können erhöhte Belastung für Standardteile hervorrufen. Stellen Sie stets sicher, dass die Reifen, Felgen und das Getriebe für stärkere Antriebe ausgelegt sind. Im Zweifel können Sie weitere Informationen zum Tuning auf arrma-rc.com abrufen. Alle Teile sind einzeln oder als Set erhältlich, um jahrelangen Betrieb Ihres Produktes zu gewährleisten. Die Karosserie dient nicht nur der Optik, sie schützt zudem wichtige Teile des Chassis sowie der Elektronik. Benutzen Sie das Modell deshalb nur bei aufgesetzter Karosserie (abgesehen vom Einlaufvorgang von Nitro-Motoren) und stellen sie sicher, dass die Elektronik/der Motor ausreichend gekühlt werden. Decken Sie keinerlei Karosserieausschnitte ab und befolgen Sie stets die Empfehlungen zum Ausschneiden der Kühllöffnungen.

ES OBLIEGT DEM BENUTZER (IHNEN) DIESES PRODUKT ORDNUNGSGEMÄSS UND SICHER ZU BEDIENEN.

Wenn Sie Probleme während der Nutzung entdecken, müssen Sie das Fahrzeug anhalten und untersuchen, um Schäden an Modell und Umwelt zu vermeiden. Sie MÜSSEN zudem einen geeigneten Platz zum Betrieb auswählen. Dabei ist Abstand zu Gefahrenquellen, Menschen und Tieren zu halten. Der Nutzer MUSS das Modell vor und nach der Nutzung auf Beschädigungen überprüfen, um Probleme, Schäden oder Verletzungen zu vermeiden. Der Nutzer ist dafür verantwortlich, die korrekten Batterien und Akkus, Treibstoffe, Klebstoffe, Farben, Ladegeräte und Werkzeuge zu nutzen, um dieses Produkt zu betreiben und zu warten. Der Nutzer ist dafür verantwortlich, den Vorgaben und Anweisungen des Herstellers für das jeweilige Produkt Folge zu leisten.

DER BETRIEB DES MODELLS IN WIDRIGEN WETTERBEDINGUNGEN ZIEHT HÄUFIGERE WARTUNG WIE ÖLEN UND FETTEN NACH SICH.

Im Speziellen wirkt Salzwasser korrosiv. Sand wirkt schädlicher auf Komponenten als festgefahrene Erde, Kiesel oder Gras. Wasser in elektrischen und elektronischen Teilen kann zum Verlust der Fahrzeugkontrolle und somit zu Schäden am Modell, Personen oder Objekten führen! Wassereintritt in Nitro- oder Benzinmotoren kann zum Blockieren und damit zur Beschädigung führen.

ARRMA führt ausführliche Produkttests durch, um sicherzustellen, dass Qualität und Langlebigkeit unseren hohen Ansprüchen genügen. Aus diesem Grund bieten wir eine zweijährige Garantie auf Material und Fertigung. Sollte dennoch einmal Grund zur berechtigten Beanstandung im Hinblick auf Material- oder Fertigungsfehler kommen, leisten wir auf eigene Kosten Ersatz oder Reparatur.

Sollten Sie schon VOR dem ersten Einsatz einen Material- oder Fertigungsfehler entdecken, tauschen wir das gesamte Produkt aus, vorausgesetzt das Produkt wird komplett und in Originalverpackung zurückgegeben. Bitte legen Sie den Kaufbeleg als Nachweis bei.

ARRMA ersetzt keine alten gegen neue Produkte, nachdem das Produkt benutzt wurde. Nach dem ersten Einsatz werden lediglich die beanstandeten Komponenten (mit Material- oder Fertigungsfehler) auf unsere Kosten ausgetauscht.

NICHT DURCH GARANTIE

UNFALLSCHÄDEN

DEFEKTE TEILE ODER ÜBERMÄSSIGER VERSCHLEISS ALS FOLGE EINES UNFALLS

FEHLENDE WARTUNG, NICHT SACHGEMÄSSE ODER ÜBERMÄSSIGE BENUTZUNG

BEISPIELE FÜR NORMALEN VERSCHLEISS

Abgenutzte Bremscheiben, Bremsbeläge, Antriebsausgänge, Antriebswellen, Zahnräder, Lager und Riemen. Wasserschäden oder Probleme resultierend aus Wassereintritt

WATER DAMAGE OR PROBLEMS RESULTING FROM WATER INTAKE

SEILZUGSTARTER

Seilzugstarter sollte lediglich maximal 20cm herausgezogen werden und überstehen kein übermässigen Herausziehen

UNLACKIERTE KAROSSERIEN GELTEN NACH DER LACKIERUNG ALS GEBRAUCHT

VORLACKIERTE KAROSSERIEN GELTEN NACH DEM ERSTEN GEBRAUCH ALS GEBRAUCHT

ABGESICHERT EINEN GARANTIEFALL

Im Garantiefall kontaktieren Sie bitte den Händler, bei dem Sie das Modell gekauft haben. Fügen Sie eine Kopie des Kaufbeleges mit Datum bei. Senden oder verlieren Sie NIE den Originalbeleg.

Senden Sie NIE das Produkt an ARRMA oder Ihren Händler, ohne vorherige Kontaktaufnahme.

Senden Sie NIE das vollständige Produkt ein, nachdem Sie es zum ersten Mal benutzt haben. Senden Sie lediglich die beanstandete Komponente. Sie erhalten zuvor eine Anweisung, welche Teile benötigt werden. Jede eingesandte Komponente muss mit einem ausgefüllten Garantieschein versehen werden. Dieser ist auf ARRMA-RC.com herunterladbar.

BEACHTEN SIE: Senden Sie unter keinen Umständen Verbrennermodelle mit vollem Tank, Treibstoff in den Treibstoffleitungen oder im Motor.

BEACHTEN SIE: Jedes beanstandete Produkt, das an uns geschickt wurde und das über einen ungenügend ausgefüllten Garantieschein verfügt oder das kein Garantiefall ist, wird kostenpflichtig untersucht, bevor es zurückgeschickt werden kann.

Jede Reparatur, die aus Gründen falscher oder missbräuchlicher Benutzung nötig wird, ist im voraus zu bezahlen.

In many cases it is faster and more cost effective for the user to fit replacement parts to the product so we maintain the right to request this of the user.

EINREICHEN MOTORGARANTIE

Im Verbrennungsmotor-Garantiefall kontaktieren Sie bitte den Händler, bei dem Sie das Modell gekauft haben. Fügen Sie eine Kopie des Kaufbeleges mit Datum bei. Senden oder verlieren Sie NIE den Originalbeleg.

Senden Sie KEINE Verbrennungsmotoren an ARRMA oder Ihren Händler ohne vorherige Kontaktaufnahme. Der Händler oder Nutzer hat möglicherweise den Motor an ARRMA oder einen Vertriebspartner zur Begutachtung zu senden. Der Motor muss mit einem vollständig ausgefüllten Garantieschein (herunterladbar auf ARRMA-RC.com) versehen werden.

BEACHTEN SIE: Der Verbrennungsmotor muss mit allen Teilen wie Kurbelwellengehäuse, Kurbelwelle, Kolben, Pleuel, Laubbuchse, Zylinderkopf, dem kompletten Vergaser sowie ggf. Startvorrichtung (Seilzugstarter) zurückgeschickt werden.

SENDEN SIE UNS NICHT DIE KUPPLUNG, DEN LUFTFILTER, KRÜMMER ODER DEN AUSPUFF.

BEACHTEN SIE: Jedes beanstandete Produkt, das an uns geschickt wurde und das über einen ungenügend ausgefüllten Garantieschein verfügt oder das kein Garantiefall ist, wird kostenpflichtig untersucht, bevor es zurückgeschickt werden kann.

Jede Reparatur, die aus Gründen falscher oder missbräuchlicher Benutzung nötig wird, ist im voraus zu bezahlen.

ARRMA möchte, dass Sie lange Freude an Ihrem Produkt haben und möchten Ihnen deshalb die Nutzung dieses High-Performance-Produktes so einfach wie möglich machen. Sollten Sie Fragen zum Betrieb, der Wartung, dem Tuning oder der Reparatur von ARRMA-Produkten haben, so bieten wir Ihnen mehrere Möglichkeiten, um Hilfe und Rat zu erhalten.

Gehen Sie auf arrma-rc.com, um mehr über Hilfestellung, Teile oder Tuningteile zu erfahren. "GO FOR IT" ist ein weltweites Forum für die Benutzer und Eigner von ARRMA-Produkten. Hier finden Sie andere ARRMA-Nutzer, erhalten Hilfestellung und vieles mehr. Sollten Sie einmal keine Antworten finden, dann kontaktieren Sie uns über support@arrma-rc.com und wir werden alles tun, um Ihnen helfen zu können.



ARRMA-RC.COM



GOFORIT-RC.COM



SUPPORT@ARRMA-RC.COM

ARRMA, die Vertriebspartner oder Modellbaugeschäfte, sind nicht verantwortlich für Verlust oder Beschädigung, sei es direkt, indirekt, fahrlässig oder vorsätzlich, die aus dem Betrieb dieses Produktes, eines dafür nötigen Zubehörs oder zur Nutzung nötigen Chemikalien entstehen.



Avertissement

TOUJOURS

- Toujours faire fonctionner votre véhicule ARRMA loin de la voie publique, des spectateurs, des enfants et des animaux.
- Toujours débrancher la batterie lorsque le véhicule n'est pas utilisé. Rangez les piles selon les instructions du fabricant.
- Gardez vous toujours à distance des roues et / ou des pièces mobiles du véhicule, ne jamais récupérer un véhicule lorsque les roues tournent.
- Toujours faire fonctionner votre véhicule ARRMA à partir d'une position qui vous permet une visibilité maximale. Ne pas utiliser le véhicule la nuit.
- Vérifiez toujours votre véhicule ARRMA avant chaque utilisation. Si vous trouvez des éléments défectueux, remplacer ou réparer immédiatement. Vérifier que toutes les vis et les écrous de roues soient bien serrés.
- Toujours utiliser des piles neuves / chargées correspondant à votre émetteur pour un contrôle optimal.
- Toujours roder vos véhicules à moteur à charbons avant de l'utiliser. ARRMA recommande de faire fonctionner le véhicule à une vitesse constante, faible à mi-régime pendant une durée de 20 minutes.
- Toujours effectuer un test avant une course à grande vitesse. ARRMA recommande de poser le véhicule avec les roues surélevées du sol au point le plus éloigné dans la zone où vous souhaitez piloter, puis prendre la position où vous prévoyez de piloter le véhicule et de gauche à droite. Vérifiez qu'il n'y ait pas d'interférence et que tout fonctionne comme prévu. Cela est plus facile avec une seconde personne.
- Toujours rester à proximité des batteries en charge, ne pas les laisser sans surveillance.
- Toujours utiliser avec soin et avec bon sens un véhicule RC haute performance.
- Toujours bien lire les manuels et les avertissements qui accompagnent votre véhicule ARRMA et avec tous les accessoires nécessaires pour l'utilisation.

N'OUBLIEZ PAS

- Moteurs et contrôleurs de vitesse électronique (ESC) deviennent chauds pendant l'utilisation, en particulier lors de l'utilisation à grande vitesse. **NE PAS TOUCHER** ces éléments pendant ou immédiatement après l'utilisation.
- La surface où vous choisissez d'utiliser votre véhicule influencera la vitesse finale que vous pouvez réaliser. Les surfaces dures et plates sont recommandées pour des courses à grande vitesse.
- Les conditions ambiantes influencent la vitesse de votre véhicule. Les conditions idéales sont un temps sec, clair avec peu, ou pas de vent, avec une température et un taux d'humidité faible à modéré.
- La capacité / qualité de vos batteries choisies va influencer la vitesse finale que vous pouvez réaliser.
- Votre véhicule ARRMA est radio-piloté et peut entrer en conflit avec les interférences qui sont hors de votre contrôle. Laisser une marge de sécurité autour du véhicule lors de l'utilisation de telle sorte que si vous étiez à perdre le contrôle, vous n'endommageriez pas le véhicule, vous ne risqueriez pas de vous blesser ou de blesser d'autres personnes.
- Les moteurs à charbons doivent être nettoyés régulièrement et traités avec soin. L'utilisation de moteurs à charbons à des températures élevées, sans ajuster la transmission, peut réduire la durée de vie. L'utilisation de moteurs à charbons dans des conditions poussiéreuses peut endommager les composants internes du moteur. Nettoyer et inspecter votre moteur à charbons régulièrement avec un nettoyage du moteur par pulvérisation de produit disponible auprès de votre magasin local.

AVIS IMPORTANT CONCERNANT LA TRANSMISSION

- Nous vous recommandons l'utilisation de transmission à grande vitesse en option pour une grande vitesse d'utilisation sur des surfaces planes et dures seulement. **NE PAS** utiliser en tout-terrain ou avec forte charge, avec une répétition de marche/arrêt qui causerait une surchauffe du moteur et/ou du régulateur de vitesse, pouvant causer des dommages / défaillances.
- Vérifiez la température du moteur et de l'ESC régulièrement, en particulier lors de l'utilisation par temps chaud. Les températures sécuritaires sont :
 - 70 degrés Celsius / 170 degrés Fahrenheit pour les ESC.
 - 80 degrés Celsius / 180 degrés Fahrenheit pour les moteurs.
- Si les moteurs ou ESC dépassent 95°C/200 °F cela peut raccourcir leur durée de vie ou causer des défaillances. En cas de doute en ce qui concerne les températures, laissez le temps à votre véhicule de refroidir entre les courses.

AVERTISSEMENTS IMPORTANTES SUR LES BATTERIES LIPO

- Les BATTERIES LiPo ont un comportement spécifique comportant plus de risques d'incendie que les autres batteries rechargeables et doivent être traitées avec un soin particulier. Toujours suivre les avertissements et les instructions du fabricant ou utiliser avec l'aide d'un utilisateur compétent.
- Assurez-vous toujours que le mode batterie de votre ESC est bien en mode LiPo lors de l'utilisation des batteries LiPo pour la propulsion de votre véhicule. Ne pas le faire causera une décharge de la batterie trop importante et des dommages à la batterie ; feu, blessures et des dommages matériels.
- Toujours utiliser un sac de charge retardateur de flamme LiPo et un équilibreur de charge LiPo spécialement conçu lors de la charge des batteries LiPo. Ne pas le faire peut provoquer un incendie, des blessures, des dommages de votre environnement.
- **NE PAS** charger à une tension supérieure à la valeur maximale spécifiée par le fabricant de la batterie.
- Toujours ranger la batterie LiPo dans un sac retardateur de flamme LiPo, loin des objets inflammables. ARRMA recommande de stocker les batteries LiPo dans une dépendance loin de la maison.
- Toujours charger les accus LiPo dans un espace bien ventilé.
- Toujours rester à portée de vue de toutes batteries en charge; ne pas les laisser sans surveillance.
- **NE JAMAIS** utiliser un pack LiPo qui présente des signes de détérioration ou de gonflement. Un gonflement est un signe de dommage interne et la batterie doit être éliminée correctement *. Si un pack LiPo gonfle pendant le chargement ou l'utilisation, débranchez immédiatement et placez le dans un espace ouvert et l'observer pendant au moins une heure.
- ***NE PAS JETER LES BATTERIES LIPO** avec les déchets normaux. Pour s'acquitter en toute sécurité des batteries LiPo, remplir un récipient en plastique avec suffisamment d'eau pour immerger complètement le pack. Dissoudre du sel dans l'eau jusqu'à ce que l'eau devienne opaque. Placez la batterie LiPo dans l'eau et laissez reposer pendant 24h. Aidé d'un voltmètre, vérifiez la tension de la batterie ; si la tension est 0.0V alors la batterie est prête pour la destruction. Si la tension est supérieure à 0.0V, laissez la batterie dans le bain de sel jusqu'à ce que la tension tombe à 0.0V. Contactez votre centre d'élimination des déchets ou de recyclage local pour obtenir des instructions de recyclage / élimination.

CONDITIONS D'UTILISATION ARRMA

- Il est à la responsabilité de l'acheteur d'utiliser ce produit en toute sécurité. Il est nécessaire d'avoir au minimum 14 ans pour faire fonctionner ce modèle.
- L'acheteur assume tous les risques associés à l'utilisation des produits. ARRMA, ses sociétés affiliées, fabricants, distributeurs et ses partenaires de vente au détail ne peut pas contrôler l'utilisation, l'application, la charge ou l'installation de ces produits et ne peut être tenu responsable de tout accident, blessures aux personnes ou des dommages à la propriété résultant de l'utilisation de ces produits.
- Après avoir lu tout, si vous n'êtes pas d'accord avec ces termes et conditions, et que vous n'êtes pas prêt à accepter la responsabilité complète pour l'utilisation de ce produit, veuillez retourner ce produit immédiatement à l'état neuf / inutilisé à votre lieu d'achat. Votre détaillant ne peut pas accepter ce produit pour le retour ou l'échange s'il a été utilisé.



14+



Garantie



IL EST DE LA RESPONSABILITÉ DES PARENTS OU DES TUTEURS DE S'ASSURER QUE LES MINEURS REÇOIVENT LES CONSEILS APPROPRIÉS OU LES DIRECTIVES LORS DE L'UTILISATION OU DES INTERVENTIONS SUR CE PRODUIT.

C'EST UN MODÈLE RADIOCOMMANDE COMPLEXE, DE HAUTE PERFORMANCE QUI DOIT ÊTRE TRAITÉE AVEC SOIN ET RESPECT. Le manuel d'instructions inclus dans ce kit est complet et contient toutes les informations requises pour l'exploitation du produit. Les dessins détaillés, les guides pour aider à maintenir, améliorer et réparer votre produit se trouvent en ligne sur ARRMA-RC.com

ARRMA A FAIT TOUS LES EFFORTS POSSIBLES POUR ASSURER QUE VOTRE PRODUIT SERA AUSSI RESISTANT ET DURABLE QUE POSSIBLE. CEPENDANT, IL EST ENCORE POSSIBLE DE LE CASSER OU DE CAUSER DES DOMMAGES PAR ACCIDENT OU PAR ABUS. Certaines parties sont consommables et s'useront lors de l'utilisation (patins de friction d'embrayage, freins, pneus, etc.). Une utilisation plus extrême ou fréquente augmentera le taux d'usure de ces composants. Toujours vérifier ces parties avant et après l'utilisation de votre kit et remplacer avant la rupture. Des pièces optionnelles permettront de renforcer certaines pièces standards. Toujours s'assurer que les pneus et roues transmission sont adaptées à l'augmentation de puissance/vitesse. Si ce n'est pas le cas, visitez le site ARRMA-RC.com afin de connaître les détails sur les mises à niveau pour ces pièces, des astuces et des conseils sur la façon de les modifier. Toutes les pièces de cette voiture sont disponibles pour être achetées séparément ou en petites séries, afin de vous permettre d'atteindre des années d'utilisation de votre kit. La carrosserie n'est pas juste un élément visuel, elle permet également de protéger les points vitaux du train roulant et de l'électronique. Toujours faire fonctionner le kit avec la carrosserie en place (sauf lors des interventions sur le moteur). Faire en sorte que l'électronique/ moteur soit refroidis de manière adéquate. Ne pas couvrir et ne pas oublier d'ouvrir les ouvertures recommandées sur la carrosserie. Des dommages liés à la surchauffe peuvent se produire.

C'EST A L'UTILISATEUR (VOUS) QU'INCOMBE D'EXPLOITER CE PRODUIT EN TOUTE SÉCURITÉ. Si vous rencontrez des problèmes avec ce produit lors de l'utilisation, il est de la responsabilité de l'utilisateur d'arrêter la voiture, d'étudier et corriger le problème avant que des dommages ou blessures ne surviennent. L'utilisateur doit choisir un endroit approprié afin de faire évoluer le modèle en toute sécurité de dangers potentiels, de personnes et d'animaux. L'utilisateur doit inspecter le modèle soigneusement avant et après utilisation afin de prévenir les problèmes, les dommages à la propriété et les blessures potentielles. L'utilisateur est responsable de l'utilisation adaptée des batteries, carburant, colles, peintures, chargeurs et tous autres outils, accessoires et matériaux nécessaires pour exploiter et entretenir ce produit. C'est la responsabilité de l'utilisateur de suivre les directives du fabricant et les précautions à prendre pour les produits annexes.

FAIRE FONCTIONNER LE MODÈLE DANS DES CONDITIONS MÉTÉOROLOGIQUES DÉFAVORABLES NÉCESSITE UN ENTRETIEN PLUS FRÉQUENT, TELLES QUE LE NETTOYAGE ET RE - APPLICATION DES GRAISSES ET DES HUILES. L'eau salée est particulièrement corrosive. Le sable peut endommager ou user des composants beaucoup plus rapidement que la terre, le gravier ou l'herbe. L'eau dans les radio-transmission et/ou le variateur de vitesse peut causer une perte de contrôle et peuvent causer des dommages pour le modèle, des propriétés ou à vous-même ! La Prise d'eau dans un moteur à essence peut causer des blocages hydrauliques dans les cylindres causant des dommages et menant à la panne du moteur.

ARRMA mène un programme d'essais importants sur tous les produits afin d'assurer la durabilité et la qualité correspondant à notre exigence très élevées. Pour cette raison, nous offrons une garantie de 2 ans, couvrant les défauts de matériaux, de fabrication et d'assemblage. Tout défaut de votre produit dans les matériaux, de malfaçons de montage ou de constituants défectueux seront réparés ou remplacés à notre discrétion.

Si un défaut de matériaux, de malfaçons ou assemblage est trouvé avant que le produit n'ait été utilisé, nous échangerons le produit complet, sous réserves que le produit soit retourné complet en parfait état, dans son emballage d'origine. Votre détaillant est susceptible d'exiger la facture comme preuve d'achat.

ARRMA n'assure pas de garantie une fois que le produit a été utilisé. Une fois que le produit a été utilisé nous offrons une garantie au niveau des composants et nous réparons ou remplaçons le ou les constituants défectueux à notre discrétion.

NE SONT PAS COUVERTS PAR LA GARANTIE

DOMMAGES LIÉ À DES ACCIDENTS

RUPTURES DE COMPOSANT OU UNE USURE PRÉMATURÉE EN RAISON DE DOMMAGES LIÉ À DES ACCIDENTS

MANQUE D'ENTRETIEN, DE MAUVAISE UTILISATION OU D'ABUS

USURE NORMALE ET RUPTURE PAR EXEMPLE :

Disques de frein, sabots de frein, sorties de différentiel, arbres d'entraînement, engrenages, les roulements et courroies.

DÉGÂTS D'EAU OU LES PROBLÈMES RÉSULTANT DE LA PRISE D'EAU

MÉCANISMES DU DÉMARRAGE

La tirette devrait seulement être tiré environ 20 cm et ne peut pas supporter de traction trop vigoureuse.

LA CARROSSERIE UNE FOIS PEINTE OU UTILISÉE

CARROSSERIES PRÉ-PEINTE UNE FOIS QU'ELLES ONT ÉTÉ UTILISÉES.

Chez ARRMA notre volonté est que vous appréciez faire évoluer votre voiture et vous faire posséder une modèle RC de haute performance aussi simple que possible. Si vous avez des questions concernant le fonctionnement, la maintenance, le réglage ou la réparation de votre produit ARRMA, il y a trois possibilités que vous pouvez utiliser pour obtenir l'aide et des conseils.

Visitez ARRMA-RC.com pour le support technique, des pièces et les mises à niveau de votre kit. « GO FOR IT » est un forum de propriétaires de produit ARRMA dans le monde entier. Vous y retrouverez les autres propriétaires ARRMA, obtiendrez de l'aide et des conseils sur la façon de tirer le meilleur de votre produit ARRMA. Si vous ne trouvez pas ce que vous recherchez, vous pouvez toujours nous par courriel à support@ARRMA-RC.com 24h par jour et nous ferons de notre mieux pour vous aider dans votre requête.

ARRMA, SES DISTRIBUTEURS OU DÉTAILLANTS NE SONT PAS RESPONSABLES DE TOUTE PERTE OU DE DOMMAGES, QU'ILS SOIENT DIRECTS, INDIRECTS, ACCESSOIRES OU CONSÉCUTIFS, DÉCOULANT DE L'UTILISATION, LE MAUVAIS USAGE OU L'ABUS DE CE PRODUIT ET TOUT ACCESSOIRE OU PRODUIT CHIMIQUE NÉCESSAIRE AU FONCTIONNEMENT DE CE PRODUIT.

FAIRE RÉCLAMATION EN GARANTIE

Pour vos demandes de garantie, contactez votre détaillant ou revendeur. Vous aurez besoin d'une copie de votre facture de vente du produit datée. (Ne pas envoyer ou perdre l'original)

NE PAS retourner le produit à ARRMA ou à votre distributeur/revendeur sans approbation préalable.

NE FAITES PAS de retour complet du produit. Vous devez seulement renvoyer le composant endommagé. Vous serez informé de ce qu'il faut retourner, quoi qu'il arrive. Tout retour de composant doit être accompagné d'un formulaire de demande de garantie rempli qui peut être téléchargé sur ARRMA-RC.com

NOTE : En aucun cas, envoyer votre voiture à essence avec du carburant dans le réservoir, dans les conduites de carburant ou dans le moteur.

NOTE : Tout produit retourné, qui serait inspecté par notre équipe technique, avec le constat que la prise sous garantie est non valide peut être soumis à des frais d'inspection et de renvoi avant qu'il puisse être retourné.

Les réparations apportées aux produits abîmés par la négligence ou une mauvaise utilisation seront facturées (pièces et main-d'œuvre) avant le début des travaux.

Dans de nombreux cas, il est plus rapide et plus rentable pour l'utilisateur de changer les pièces de rechange pour le produit, nous maintenons le droit de l'utilisateur en cas de réclamation.

RÉCLAMATION EN GARANTIE MOTEUR

Pour les demandes de garantie du moteur, contactez votre détaillant ou revendeur. Vous aurez besoin d'une copie de votre facture de vente du produit datée. (Ne pas envoyer ou perdre l'original)

NE RENVOYEZ pas de composant moteur à ARRMA ou à votre revendeur sans autorisation préalable. Il peut-être demandé de renvoyer le moteur à ARRMA ou à son distributeur pour inspection technique. Le moteur doit être retourné avec un formulaire de demande de garantie complètement rempli qui est téléchargeable à partir du site ARRMA-RC.com.

NOTE : Le moteur doit être retourné avec les éléments suivants. Carter, vilebrequin, piston, chemise, bielle, culasse, carburateur et mécanisme de démarreur à tirette complet.

NE RETOURNEZ PAS L'EMBRAYAGE, FILTRE À AIR, PIPE ET POT D'ÉCHAPPEMENT.

NOTE : Tout produit retourné, qui serait inspecté par notre équipe technique, avec le constat que la prise sous garantie est non valide, peut être soumis à des frais d'inspection et de renvoi avant qu'il puisse être retourné.

Les réparations apportées aux produits abîmés par la négligence ou une mauvaise utilisation seront facturées (pièces et main-d'œuvre) avant le début des travaux.



ARRMA-RC.COM



GOFORIT-RC.COM



SUPPORT@ARRMA-RC.COM



Precaución

SIEMPRE

- Utiliza siempre tu vehículo ARRMA lejos de vías públicas, transeúntes, niños y animales.
- Desconecta siempre la batería del vehículo cuando no esté siendo utilizado. Guarda las baterías siguiendo las instrucciones del fabricante.
- Mantente alejado de las ruedas y/o piezas en movimiento del vehículo, nunca levantes el vehículo cuando las ruedas estén girando.
- Conduce tu vehículo ARRMA siempre desde una posición que te permita obtener la máxima visibilidad. No utilices el vehículo de noche.
- Comprueba siempre el estado de tu vehículo ARRMA antes de utilizarlo. En caso de detectar daños, sustituye o repara inmediatamente. Comprueba con frecuencia que todos los tornillos y tuercas están bien apretados.
- Utiliza siempre baterías nuevas/cargadas y del mismo tipo en tu emisora para un control óptimo.
- Siempre debes "rodar" el motor de escobillas de tu vehículo antes de usarlo. ARRMA recomienda colocar el vehículo con las ruedas sin tocar el suelo y hacerlo rodar de manera constante de bajo a medio gas hasta gastar al menos tres baterías completas.
- Realiza siempre un test de 'alcance' antes de rodar a alta velocidad. ARRMA recomienda colocar el vehículo con las ruedas sin tocar el suelo en la parte más lejana del área donde quieras rodar, entonces desplázate a la posición desde la que tienes pensado pilotar y gira la dirección a izquierda y derecha. Si no hay interferencias la dirección funcionará tal y como debe. Esto es más fácil con la ayuda de otra persona.
- Mantén siempre a la vista las baterías cuando estén cargando; no las dejes sin atención.
- Ten siempre cuidado y aplica el sentido común a la hora de utilizar un vehículo RC de altas prestaciones.
- Lee con atención los manuales y advertencias incluidos con tu vehículo ARRMA y con cualquier accesorio necesario para su utilización.

RECUERDA

- Los motores y Variadores Electrónicos de Velocidad(ESCs) se calientan durante su uso, especialmente si se utilizan desarrollos para alta velocidad.
- NO TOCAR el motor o el variador durante o inmediatamente después de su utilización.
- La superficie que elijas para rodar influirá en la velocidad máxima que puedas alcanzar. Superficies duras y lisas son recomendables para rodar a alta velocidad.
- Las condiciones ambientales influirán en la velocidad final que puedas alcanzar. Las condiciones ideales son tiempo seco y claro con poco o nada de viento. Temperatura y humedad bajas - moderadas.
- La capacidad/calidad de las baterías que elijas influirá en la velocidad final que puedas alcanzar.
- Tu vehículo ARRMA es a radiocontrol y puede entrar en conflicto de interferencias que estará fuera de tu control. Deja un margen de seguridad alrededor del vehículo cuando lo utilices, de forma que si pierdes el control, no dañes el vehículo, a ti mismo, o a terceros.
- Los motores de escobillas necesitan rodaje, limpieza regular y ser tratados con cuidado. El uso de motores de escobillas a altas temperaturas, sin ajustar el desarrollo, puede reducir su vida útil. El uso de motores de escobillas en condiciones de mucho polvo puede dañar los elementos internos del motor. Limpia y revisa tu motor de escobillas regularmente con un spray limpiador de motores disponible en tu tienda de hobby local.

NOTA IMPORTANTE SOBRE DESARROLLOS

- Las recomendaciones de desarrollo opcional para alta velocidad están pensadas para rodar en superficies duras y lisas únicamente. No utilizar para todoterreno o pilotaje de alta carga repetitiva, ya que esto sobrecalentará el motor y/o variador pudiendo causar daños.
 - Comprueba las temperaturas de motor y variador regularmente, especialmente en climas cálidos. Las temperaturas máximas seguras son:
 - 70 grados Celsius / 170 grados Fahrenheit para variadores.
 - 80 degrees Celsius / 180 degrees Fahrenheit for motors.
- Si el motor o el variador superan los 95/200 grados Celsius/Fahrenheit puede reducirse su vida útil o causar averías. En caso de duda sobre temperaturas, permite que tu vehículo enfrie entre usos.

ADVERTENCIAS IMPORTANTES SOBRE BATERÍAS LIPO

- Las baterías LiPo conllevan un mayor riesgo de incendio que otros tipos de baterías recargables y necesitan un mayor cuidado. Sigue siempre las advertencias e instrucciones del fabricante.
- Asegúrate siempre de que el modo de batería de tu variador está ajustado para LiPo cuando uses este tipo de baterías. De lo contrario podrías descargar de más la batería pudiendo causar daños en la batería, fuego, daños personales y/o materiales.
- Utiliza siempre una bolsa/caja de seguridad para cargar LiPo y un cargador equilibrador especialmente diseñado para LiPo para cargar este tipo de baterías. De lo contrario podrías descargar de más la batería pudiendo causar daños en la batería, fuego, daños personales y/o materiales.
- Nunca realices una 'Carga-Equilibrado' de la batería LiPo a un voltaje o intensidad mayores de los especificados por el fabricante de la batería.
- Almacena siempre las baterías LiPo en cajas/bolsas de seguridad especialmente diseñadas para ello y alejadas de objetos inflamables. ARRMA recomienda guardar las LiPo en un lugar externo alejado del hogar.
- Cargue siempre las baterías LiPo en un espacio bien ventilado.
- Mantén siempre a la vista las baterías cuando estén cargando; no las dejes sin atención.
- NUNCA utilices una batería LiPo que presente señales de daño o hinchazón. La hinchazón es un síntoma de daños internos y la batería deberá ser desechada correctamente*. Si una batería LiPo se hincha durante su uso o carga, desconéctala inmediatamente y colócala en un área abierta y vigíla durante al menos una hora. Pasada una hora, desecha la batería correctamente*.
- **NO TIRAR LAS BATERÍAS LIPO A LA BASURA. Para descargar con seguridad una batería LiPo, llena un contenedor de plástico con agua suficiente para sumergir la batería por completo. Disuelve sal en el agua hasta que se vuelva opaca. Coloca la batería LiPo en el agua y déjala durante 24h. Con la ayuda de un voltímetro, comprueba el voltaje de la batería; si es voltaje es de 0.0v la batería está lista para ser desechada. Si el voltaje es mayor de 0.0v, deja la batería en el baño salado hasta que baje a 0.0v. Contacta con el organismo o centro de reciclado local para más información sobre las instrucciones de reciclado/desechado.

CONDICIONES DE USO ARRMA

- Es responsabilidad del comprador (tú) la utilización de este producto con seguridad. Es necesario ser mayor de 14 años para utilizar este modelo.
- El comprador asume todo riesgo asociado con la utilización de este producto. ARRMA, sus asociados, fabricantes, distribuidores y vendedores no puede controlar el uso, aplicación, carga o instalación de este producto y no serán responsables de cualquier accidente, lesión o daño material resultante de la utilización de este producto
- Tras leer todo, si no estás de acuerdo con estos términos y condiciones, y no estás preparado para asumir la total responsabilidad sobre el uso de este producto, devuélvelo inmediatamente nuevo/sin usar en el lugar de compra. El vendedor no puede aceptar la devolución de este producto si ha sido utilizado de cualquier forma.





Garantía



EN CASO DE MENORES DE EDAD, ES RESPONSABILIDAD DE LOS PADRES O TUTORES PROPORCIONAR LA AYUDA Y/O SUPER

ESTE PRODUCTO ES UN COMPLEJO MODELO DE RADIOCONTROL DE ALTAS PRESTACIONES Y DEBE SER UTILIZADO CON PRECAUCIÓN. El completo manual de instrucciones suministrado en el kit contiene toda la información necesaria para utilizar el producto. Encontrará dibujos ampliados y guías de ayuda para mantener, mejorar y reparar su producto en ARRMA-RC.com

ARRMA HA REALIZADO TODO EL ESFUERZO POSIBLE POR ASEGURAR QUE SU PRODUCTO SEA LO MÁS RESISTENTE Y DURADERO POSIBLE. SIN EMBARGO, TODAVÍA ES POSIBLE CAUSAR ALGÚN DAÑO O ROTURA COMO CONSECUENCIA DE GOLPES O USO INAPROPIADO.

Algunas piezas son consumibles y se gastarán con el uso (zapatas de embrague, frenos, neumáticos, etc). Un uso más frecuente o extremo acelerará el desgaste de dichos elementos. Compruebe el estado de estos componentes antes y después de utilizar este kit, y reemplácelos cuando sea necesario para evitar fallos.

Piezas opcionales mejoradas pueden suponer un sobreesfuerzo para otros componentes estándar. Asegúrese siempre de que neumáticos, llantas y transmisión son capaces de soportar el aumento de potencia/velocidad. En caso contrario, visite ARRMA-RC.com para obtener detalles para mejorar estas áreas y/o consejos o trucos sobre cómo modificarlas.

Todas las piezas de este coche se pueden comprar por separado o en pequeños conjuntos, para permitirle el uso de este modelo durante años. La carrocería no tiene únicamente una función estética, también está diseñada para proteger de posibles daños áreas vitales de la transmisión y componentes electrónicos.

Utilice siempre el modelo con la carrocería puesta (salvo durante el rodaje de motores de explosión) y asegúrese de que tanto el motor como los componentes electrónicos reciben la refrigeración adecuada. No ignore ni cubra las aperturas de la carrocería recomendadas por el fabricante pues podría provocar daños por sobrecalentamiento.

ES RESPONSABILIDAD DEL USUARIO (USTED) EL UTILIZAR ESTE PRODUCTO EN CONDICIONES DE SEGURIDAD APROPIADAS. Si se experimenta algún problema al utilizar este producto, es responsabilidad del usuario el detener el coche e investigar y solucionar el problema antes de que pueda producir daños mayores.

El usuario DEBE elegir el lugar adecuado para utilizar este modelo, alejado de posibles peligros, personas y animales. El usuario DEBE inspeccionar detenidamente el modelo antes y después de utilizarlo para evitar fallos o posibles daños.

El usuario es responsable de que baterías, combustible, pegamentos, pinturas, cargadores y demás herramientas o accesorios necesarios para usar este producto sean los apropiados. Es responsabilidad del usuario seguir las indicaciones del fabricante y/o precauciones relacionadas con productos complementarios.

UTILIZAR ESTE MODELO EN CONDICIONES METEOROLÓGICAS ADVERSAS SIGNIFICARÁ UN MAYOR MANTENIMIENTO, ASÍ COMO LA LIMPIEZA Y REAPLICACIÓN DE GRASAS Y ACEITES. El agua salada es especialmente corrosiva. La arena puede dañar o desgastar componentes mucho más rápido que tierra, gravilla o hierba.

El contacto de agua con el equipo de radio y/o electrónica del modelo puede causar la pérdida de control sobre el mismo provocando daños en el modelo, propiedades o incluso usted mismo. La entrada de agua en un motor de explosión puede suponer el bloqueo del cilindro(s) causando daños y mal funcionamiento del motor.

ARRMA realiza una amplia variedad de pruebas para asegurar que la durabilidad y calidad cumplen con nuestros elevados estándares. Por este motivo ofrecemos 2 años de garantía cubriendo defectos de material, producción o montaje. En caso de darse un defecto de material, producción o montaje, reemplazaremos el componente o los componentes defectuosos sin inconveniente alguno.

Si se descubre un defecto de material, producción o montaje ANTES de que el producto sea utilizado, se sustituirá el mismo por completo, asumiendo que el producto será devuelto en perfectas condiciones y en su embalaje original. El distribuidor podrá solicitar la factura como prueba de compra.

ARRMA NO aplica una garantía de nuevo por viejo una vez que el producto haya sido utilizado. Una vez que el producto haya sido utilizado, ofrecemos una garantía a nivel de componentes y se procederá a la reparación del componente o componentes defectuosos a nuestro criterio.

NO CUBIERTOS POR GARANTÍA

DAÑOS POR COLISIÓN

EL FALLO O DESGASTE PREMATURO DE COMPONENTES COMO RESULTADO DE UNA COLISIÓN.

FALTA DE MANTENIMIENTO, USO INDEBIDO O ABUSO.

DESGASTE NORMAL COMO POR EJ.

Discos de freno gastados, zapatas de freno, vasos de diferencial, palieres, piñones, rodamientos y correas.

PROBLEMAS O DAÑOS CAUSADOS POR LA ENTRADA DE AGUA.

MECANISMOS DE ARRANQUE POR TIRADOR.

Al utilizar un arranque por tirador, no se debe tirar más de 20cm, dicho mecanismo puede no soportar tirones fuertes de longitud mayor.

CARROCIERÍAS TRANSPARENTES UNA VEZ QUE HAYAN SIDO PINTADAS Y/O UTILIZADAS.

CARROCIERÍAS PREPINTADAS UNA VEZ QUE HAYAN SIDO UTILIZADAS.

REALIZAR UNA SOLICITUD DE GARANTÍA

Para solicitudes de garantía contacte con su distribuidor/vendedor. Necesitará una copia de la factura de compra con fecha. (NO envíe ni extravié la original)

NO DEVUELVA el producto a ARRMA o distribuidor/vendedor sin la aprobación previa del mismo.

NO DEVUELVA el producto completo. Sólo necesita devolver el componente dañado. En caso de devolución recibirá instrucciones de cómo proceder. Cualquier componente devuelto debe ir acompañado por un formulario completo de garantía que puede ser descargado desde ARRMA-RC.com

NOTA: No envíe su coche con combustible en el depósito, tubos del depósito o motor bajo ningún concepto.

NOTA: En caso de que el producto devuelto no cumpla las condiciones de garantía al ser inspeccionado por nuestro servicio técnico, se deberá abonar una cuota por su inspección y manipulación antes de ser reenviado.

Cualquier reparación realizada sobre el producto como resultado de un uso indebido o abuso deberá ser abonada (piezas y mano de obra) antes la realización de la misma.

En muchos casos resulta más rápido y rentable que el propio usuario realice la sustitución de componentes por lo que nos reservamos el derecho de realizar dicha solicitud.

SOLICITUD DE GARANTÍA DE MOTOR

Para solicitudes de garantía del motor contacte con su distribuidor/vendedor. Necesitará una copia de la factura de compra con fecha. (NO envíe ni extravié la original)

NO DEVUELVA componentes de motor a ARRMA o su vendedor sin la aprobación previa del mismo. El vendedor o usuario podrá ser contactado para que devuelva el motor a ARRMA o su distribuidor para su inspección. El motor devuelto debe ir acompañado por un formulario completo de garantía que puede ser descargado desde ARRMA-RC.com

NOTA: El motor debe ser devuelto con los siguientes componentes: Cáster, cigüeñal, camisa, pistón, biela, culatín, carburador completo y mecanismo de arranque por tirador.

NO DEVUELVA EL EMBRAGUE, FILTRO DE AIRE, CODO O ESCAPE.

NOTA: En caso de que el producto devuelto no cumpla las condiciones de garantía al ser inspeccionado por nuestro servicio técnico, se deberá abonar una cuota por su inspección y manipulación antes de ser reenviado.

Cualquier reparación realizada sobre el producto como resultado de un uso indebido o abuso deberá ser abonada (piezas y mano de obra) antes la realización de la misma.

En ARRMA queremos que disfrute al utilizar su coche y que poseer un modelo de radiocontrol de altas prestaciones sea lo más fácil posible. Si tiene cualquier pregunta sobre utilización, mantenimiento, ajuste o reparación de su producto ARRMA dispone de tres opciones para obtener ayuda y consejo.

Visite ARRMA-RC.com para obtener soporte técnico, recambios y mejoras para su modelo. 'GO FOR IT' es el foro internacional de usuarios de ARRMA. En él encontrará otros usuarios de ARRMA y podrá obtener ayuda y consejos para aprovechar al máximo su producto ARRMA. Si no lo encuentra lo que busca siempre podrá contactarnos por correo electrónico a support@ARRMA-RC.com donde haremos todo lo posible por ayudarle las 24 horas del día.

ARRMA, sus distribuidores o vendedores no serán responsables de cualquier pérdida o daño, ya sea directa, indirecta, accidental o consecuente relacionada con la utilización, uso inapropiado o abuso de este producto y cualquier accesorio o producto químico requerido para su utilización.



ARRMA-RC.COM



GOFORIT-RC.COM



SUPPORT@ARRMA-RC.COM



警告

常に覚えている

- 常に公共の高速道路、傍観者、子供や動物から離れて ARRMA の車を運営しています。
- 車両が使用されていないときは、必ずバッテリーを外します。製造元の指示に従ってストア電池。
- 常に車輪が回転しているときに車両をピックアップし、決して車輪を避けていない及び / 又は車両に可動部品。
- 常に最大の可視性を可能にする位置からあなたの ARRMA の車を運営しています。夜間に車両を操作しないでください。
- 常に実行する前に、あなたの ARRMA の車をチェックしてください。損傷が見つかった場合は、交換またはすぐに修復します。よくあるすべてのネジとホイールナットが締まっていることを確認してください。
- 常に最適な制御のためにあなたの送信機で新 / 充電と一致する電池を使用しています。
- 常に「実行中」あなたの車は、使用前にモーターをブラシ。ARRMA は地面の明確な駆動輪を備えた車両をサポートするお勧めしますし、少なくとも 3 つの完全なバッテリー・パックの半分スロットルに低い、一定でそれを実行します。
- 常に高速実行する前に、「範囲」のテストを行う。ARRMA はその後、あなたがそれを実行したいエリアの最も遠い地点での地面の明確なホイールで車両をサポートするお勧めしますから車で、車両が左から右に操縦する予定の位置を取る。干渉がない場合には意図したようにステアリングが作動する。これが第二の人と簡単です。
- 常に充電しながら電池の視界内に残る。それらを無人のままにしないでください。
- 高性能の RC 車を運転するときは、常に細心の注意と常識を使用しています。
- 常に完全にあなたの ARRMA の車で、それを実行するのに必要な付属品に付属してきたマニュアルと警告をお読みください。

常に覚えている

- モーターと電子スピードコントローラ (ESC は) は、特に、高速ギアリングを実行して、使用中に高温になります。中または使用後すぐにモーターや ESC は手を触れないでください。
- あなたが実行することを選択した面は、あなたが達成することができ、最終的な速度に影響を与えます。ハード、平らな表面は、高速の実行を推奨します。
- 周囲条件はあなたが達成することができ、最終的な速度に影響を与えます。理想的な条件は、ほとんどまたは全く風と乾燥した、明確な天気です。低 - 中程度の温度と湿度。
- 選択した電池の容量 / 品質はあなたが達成することができ、最終的な速度に影響を与えます。
- Y あなたの ARRMA 車両は、ラジコンであり、あなたのコントロールの外にある干渉との競合に入ることがあります。自分自身や他人を傷つける、あなたがコントロールを失っていた場合は、車両に損傷を与えないように動作しているとき車両周辺の安全マージンを残します。
- B ブラシ付きモータはランイン、定期的に清掃、注意して治療する必要があります。高温における起毛モータの使用は、ギアリングを調整することなく、寿命を減少させることができます。粉塵状態でブラシモーターの使用は、モータの内部を損傷する可能性があります。清潔お近くのホビーショップから入手可能なモーター洗浄スプレーで定期的にブラシ付きモータを点検。

重要なギアリングお知らせ

- オプションの高速ギアリングの推奨事項は、ハード、平らな表面上でのみ高速走行のためのものです。これは故障の原因となり、モータおよび / またはスピードコントローラが過熱するように、オフロードや高負荷の繰り返しスタート・ストップ運転のために使用しないでください。
- 特に暑い気候では、定期的にモーターと ESC の温度を確認してください。最大安全温度は以下のとおりです。
 - ESC のための 70°C / 170 度華氏を。
 - モータの摂氏 80 度 / 180 度華氏。
- モーターや ESC のは 200 分の 95 度華氏を超えた場合、それは彼らの寿命を短くしたり、障害を引き起こす可能性があります。温度に関する疑問がある場合は、あなたの車の時間は実行の間クールダウンすることができます。

重要 LIPO バッテリー警告

- リポ電池は充電式電池の他のタイプよりも大きな火災の危険を運び、細心の注意で処理する必要があります。常に警告やメーカーの指示に従ってください。
- 常にリポバッテリーを使用している場合は、あなたの ESC のバッテリーモードはリポに設定されていることを確認してください。これを怠ると、バッテリーを過放電になり、バッテリーの損傷、火災、けがや物的損害につながる可能性があります。
- リポバッテリーを充電するときは、必ず袋 / ボックスを充電難燃剤リポと特別に設計されたバランスリポ充電器を使用しています。これを怠ると、火災、けがや物的損害につながる可能性があります。
- 決して「バランス充電」率や電池メーカーが指定する最大値よりも高い電圧でのリポバッテリー。
- 常に難燃剤リポバッグ / ボックスにリポバッテリーを格納し、離れて可燃物から。ARRMA は家から離れ別棟で LiPos を保存することをお勧めします。
- 常に換気の良い空間にリポバッテリーを充電する。
- 常に充電しながら電池の視界内に残る。それらを無人のままにしないでください。
- 損傷や腫れの兆候があるリポパックを使用しないでください。腫れは、内部損傷の兆候であるとバッテリーが充電または使用中に正しく * リポパック膨潤 .IF 処分する必要がある、オープンエリアで、すぐにと場所抜いて、少なくとも 1 時間観察する。バッテリーの 1 時間の処分後に正しく *。
- * NORMAL ゴミと一緒に LiPo バッテリーに捨てないでください。安全にリポ電池の充放電するには、完全にパックを水没するのに十分な水とプラスチック製容器を満たす。水が不透明になるまで水に塩を溶解。水にリポバッテリーを配置し、24 時間に向けて出発。電圧計を使用して、パックの電圧をチェックする。電圧が 0.0V の場合、バッテリーは処分のための準備ができています。電圧が 0.0V 以上であれば電圧が 0.0V に低下するまで、塩浴中にバッテリーを残す。さらにリサイクル / 廃棄の手順については、お近くの廃棄機関またはリサイクルセンターにお問い合わせください

本使用 ARRMA 条項

- これは、本製品を安全に操作する買い手の (あなたの) 責任です。これは、このモデルを操作するために 14 歳以上であることが必要である。
- 買い手は、本製品の使用に関連するすべてのリスクを想定しています。ARRMA は、その関連会社、メーカー、代理店、小売パートナーは、本製品の充電またはインストール、使用、アプリケーションを制御することはできませんし、人や本製品の使用に起因する財産の損傷への事故、怪我のために責任を負うものではない。
- あなたはこれらの条件に同意しない、あなたがこの製品の使用のための完全な責任を受け入れる準備ができていないであれば、すべてを読んだ後、は、購入先に新しい / 未使用の状態ですぐに本製品を返す。それはどのような方法で使用されている場合は、小売業者は、返品または交換のために、本製品を受け入れることはできません。





保証についての



本製品をお子様を使用される際には必ず保護者の監視下で走行、メンテナンスを行ってください。

本製品は高性能ラジオコントロールモデルカーです。取扱いには十分な注意が必要です。

本製品に付属している取扱い説明書には製品で遊ぶ為に必要な手順、注意事項等及び製品の展開図、メンテナンスに必要な情報が記載されております。製品のアップグレード、修理に必要な情報はオンラインのARRMA-RC.comでご確認ください。

ARRMA製品は最新の注意を払い製造されているため十分な強度を備えていますが、クラッシュや誤った使用方法により破損する可能性があります。

製品には消耗品も含まれており、これら(クラッチパッド、ブレーキ、タイヤ等)のパーツは製品を使用する事により摩耗します。激しい走行や走行回数が多いと摩耗のスピードが上がります。走行前後は必ずこれらのパーツをチェックしていただき、摩耗が見られる場合には早めにパーツの交換を行ってください。アップグレードパーツを装着することライフサイクルが延びる製品もあります。パワー/スピードが上がるとタイヤ・ホイール・駆動系に大きな負荷がかかります。ARRMA-RC.comに記載されているこれらのパーツのアップグレード方法やティップスを参考にしてマシンがコントロールを失わないよう常に注意をはらってください。本製品のスペアパーツはお客様に永らくご愛用していただけるよう各パーツごとまたはユニットごとに販売しております。ボディは見た目を良くする為だけのパーツでは無く、同時に駆動中のギヤや重要な電子部品をダメージから保護する役目も持っています。マシンを走行させる際にはエンジンのブレークイン時を除き、常にボディを装着してください。ボディ製作の際には取扱い説明書どおりにカット・トリムを行ってください。誤ったカット・トリムを行うとモーターやエンジンが発熱し、最悪の場合マシンに大きなダメージを与えます。

製品を安全にご使用いただく事はお客様の責任です。

万一、本製品を使用時に違和感を感じた場合には、お客様の責任においてすぐに走行をお止めください。ダメージが大きくなる前にマシンを回収し、原因を追及してください。走行場所の選択もお客様の重要な責任の一つです。十分な広さがあり、近くに人や動物がいない場所で走行してください。走行前後にはお客様の責任において必ずマシンの各部チェックを行ってください。これによりマシンの破損や怪我を負うリスクが大きく減少します。お客様は正しいバッテリー、充電器、燃料、接着剤、塗料、その他のツール及びマシンを走行・メンテナンスする為に必要な全てのアクセサリをお客様の責任においてご使用いただく必要がございます。メーカーの推奨するガイドライン、注意を守って製品をご使用いただく事はお客様の義務です。

悪天候の中でマシンを走行させた場合、より細かなメンテナンスをより頻繁に行う必要があります。クリーニング、ギヤグリス・オイル等の注油の頻度が上がります。

塩水は特に製品の腐食を進めます。砂は土やグラベル、草よりもより早く製品の摩耗を進めます。受信機・ESCに水が入るとノーマルや故障の原因となり、製品や周辺物の破損や怪我につながる可能性があります。エンジン内への水の進入はシリンダーをロックさせエンジン内部に重大な破損をもたらす可能性があります。

ARRMA製品は品質、耐久性等を確認するため広範囲に及ぶテストを行い、私達が設定する高い次元での性能を有しています。その為、本製品にはご購入日から2年間の製品品質不良、工場での組立不良に対する保証期間が付帯しております。万一製品の不良・工場での組立不良に起因する故障が発生した場合には弊社の判断に基づき新しいパーツとの交換または無償修理を行います。

万一、製品のご使用前に製品品質不良、工場での組立不良が見つかった場合、新しい製品と交換させていただきます。この場合、製品のご購入日が証明可能なレシート等のコピーと共に買い求めいただいた製品一式をご返送いただく必要がございます。またこの場合、製品パッケージ(箱)等も全てご返送いただく必要がございますのでご了承ください。

一度でもご使用いただいたARRMA製品は新品交換保証の対象とはなりません。弊社の判断に基づきパーツレベルでの修理又は交換にて対応させていただきます。

以下に該当する場合には保証の対象となりません。

MAKING A WARRANTY CLAIM

ENGINE WARRANTY CLAIMS

クラッシュによるダメージ:

万一製品に故障が発生した場合にはお買い求めいただいた販売店又は代理店へお問い合わせください。保証をお受けになるためにはご購入日を証明する事ができるレシート等のコピーが必要となりますので、レシート等は大切に保管してください。(レシート等は必ずコピーをお送りください。レシートの原本を送付しないでください。)

エンジンの故障に関しては販売店又は代理店へお問い合わせください。保証をお受けいただく為にはレシート等のコピーが必要です。(レシート等は必ずコピーをお送りください。レシートの原本を送付しないでください。)

クラッシュによる製品の破損及びクラッシュに起因する製品の摩耗。

事前の連絡及び了承なくARRMA製品を販売店や代理店に返送しないでください。

事前の連絡及び了承なくARRMAエンジンを販売店や代理店に返送しないでください。故障が疑われる場合には、まず販売店が代理店に連絡をいただき、指示に従って返送の手続きを行ってください。全ての返送品はARRMA-RC.comでダウンロード可能な修理依頼書を同封していただく必要があります。

メンテナンス不良、誤った使用方法による破損・摩耗、

製品全てをお送りいただくことはお止め下さい。お送りいただく必要のあるものはご連絡いただいた際にお知らせいたします。全ての返送品はARRMA-RC.comでダウンロード可能な修理依頼書を同封していただく必要があります。

注意: エンジンをご返送いただく際には下記のパーツを必ず同封してください。 クランクケース・クランクシャフト・ピストン・スリーブ・コネクティングロッド・シリンダーヘッド・キャブレター・プルスタートで使用するパーツ全て。

及び通常の使用に摩耗:

ブレーキディスク、ブレーキシュー、ドライブシャフト、駆動系、ベアリング、ベルト等。

水、水分による製品各部へのダメージ及びエンジンが水分を吸入したことによるエンジンの破損。

注意: ご返送いただく際には燃料タンク、燃料ホース、またエンジン等の燃料を全て抜き取ってから発送してください。

クラッチ、エアクリーナー、マニホールド、マフラーは返送しないでください。

プルスタートの破損:

プルスタートは約20cmまでしか引く事ができません。無理に強く引かないよう注意してください。

注意: ご返送いただいた製品は弊社または代理店のカスタマーサービスチームにて検査を行います。万一誤った部品の装着や不適切な使用方法の痕跡が発見された場合、それまでに発生した費用をお客様にご請求させていただきます。

注意: ご返送いただいた製品は弊社または代理店のカスタマーサービスチームにて検査を行います。万一誤った部品の装着や不適切な使用方法の痕跡が発見された場合、それまでに発生した費用をお客様にご請求させていただきます。

塗装された又は一度でも使用されたクリアボディ

誤った使用方法、不適切な使用により破損したパーツを修理する場合にはパーツ代及び修理代が発生いたします。

誤った使用方法、不適切な使用により破損したパーツを修理する場合にはパーツ代及び修理代が発生いたします。

一度でも使用されたペイント済みボディ

多くの場合、破損部分のパーツをお客様ご自身で交換していただいた方がコスト的にも時間的にも効率的です。ご自身で修理が可能な場合には出来るだけご自身で修理を行ってください。

ARRMAではお客様に愛されるRCカー、そして可能な限りシンプルなRCカー創りを目指しております。ARRMA製品についてのご質問、走行についてのご質問、またメンテナンスやチューニングについてのご質問がありましたら3つのオプションからその解決策を見つけていただくことが可能です。

サポート、スペアパーツ、アップグレードについての情報はARRMA-RC.comをご確認ください。"GO FOR IT"はARRMAオーナーの為にワールドワイドなフォーラムです。ここではARRMA製品に関するユーザー同士のあらゆる情報交換が可能です。ここでもお探しの情報が見つからない場合は24時間受付可能なsupport@ARRMA-RC.comへEメールにてお問い合わせください。



ARRMA-RC.COM



GOFORIT-RC.COM



SUPPORT@ARRMA-RC.COM

ARRMA及びその代理店又は販売店は、その製品を使用(又は誤った使用方法による使用)によって発生した直接的、間接的、偶発的、又は必然的でないかなる損失、ダメージ、破損をも補償するものではありません。お客様の責任において、周囲の環境に十分に注意を払いご使用ください。



警告

始终

- 始终在远离高速路，行人，儿童及动物的地方操作 Arrma 模型车
- 始终在车没有使用时断开电池。根据生产厂商说明书贮存电池。
- 始终要与车轮及 / 或其它可活动的部件保持一定距离，千万不要在轮子转动时去拿起车。
- 始终要在视野好的地方操控 Arrma 模型车，不要在晚上操控。
- 始终要在操控 Arrma 模型车之前检查车况，若发现异常，要立即修或换相关部件。要经常检查螺丝和轮胎螺母以确保是紧的。
- 始终要用新的 / 充满电的和相匹配的电池以确保遥控器的工作正常。
- 始终要在使用前要试有刷马达。Arrma 建议把车辆架起使驱动轮离开地面，之后运行车辆，反复低速到中速至少三块满电电池。
- 始终要在高速跑车前试一下遥控距离。Arrma 建议把车放在你想跑的最远的地方，再把车辆架起使车轮离开地面，然后在你想操控车辆的地方操控油门和方向，如果没有问题，转向会工作正常。两个人合作会使之方便点。
- 充电时始终要留心观察，人不要离开。
- 在操控高性能遥控车时，使始终要有相关常识和应有的注意。
- 始终要认真全面阅读与车辆和其它配件放在一起的说明书和警告语。

记住

- 在使用模型车时，尤其是使用高速齿轮情况下，马达和调速器的温度会变高，不要在使用时及一结束使用就触碰马达或调速器。
- 不同的路面会对最高速度产生影响，为了能高速跑车，坚硬及平整的路面是推荐路面。
- 周围环境也会影响达到能达到的最高速度。最好的环境是没风或微风的干燥晴天，中低温度和湿度。
- 电池容量及质量会影响最高速度
- Arrma 模型车是遥控的，可能会与周围其它信号产生干扰。如果失去控制，将车移到一个相对空旷的地方来操控，这个不会损坏车，也不会伤到自己及他人。
- 有刷马达需要经常试试，清洁及维护。在高温下使用有刷马达且没调整齿轮咬合会缩短马达寿命。在脏的环境下使用会损坏马达内部，用模型店有售的马达清洁喷剂经常会马达清洁及检查。

重要的齿轮咬合提示

- 备用的高速齿轮仅用于坚硬平整路面的高速运行。不要用来越野及即启即停的高负载操作，这样会使马达和 / 或调速器过热以至于功能不正常。
- 经常检查马达和电调的温度，特别是高温情况下。最高保险温度如下：
 - 电调是 70 摄氏度 / 170 华氏度
 - 马达是 80 摄氏度 / 180 华氏度
- 如果马达或电调温度超过 95 摄氏度 / 200 华氏度，这样会缩短其使用寿命或者导致功能不良。如果对温度不确定时，要留有一定时间进行冷却。

重要的锂电池警告

- 锂电池相对其它类型的充电电池更具着火危险性，要特别留心。要时刻按警告说明及说明书进行操作。
- 用锂电池时始终要把调速器调到锂电模式。错误的模式会导致电池过度放电，以及可能会导致电池损坏，人身伤害和财产损失。
- 始终要用防火的锂电池充电盒或专用平衡锂电充电器进行充电。不匹配的充电器会导致火灾，人身伤害及财产损失。
- 不要用超过电池厂标注的功率及电压去充锂电池。
- 始终要把锂电池储存在防火盒里，以及远离火源。Arrma 建议不要在家里储存锂电池。
- 始终要在通风良好的地方充锂电池。
- 始终在充电时要注意察看，不要在无人察看的情况下充电。
- 始终不要使用损坏及鼓胀的锂电池。鼓胀说明电池内部损坏并且电池需正确的处置掉。如果在充电及使用时发现鼓胀，要立即断开连接，放在开阔的地方观察至少一小时，一小时后用正确的方法处置电池。
- * 不要按一般废物处置锂电池。正确的锂电池放电过程如下，先在一个塑料容器里倒上能够淹没电池的水，在水里放盐溶解直至水变模糊，接着把锂电池放在水里 24 小时，之后用万用表测电压，如果电压是 0，说明电池已经可以处置了，如果电压大于 0 伏，继续放在盐水里直至 0 伏。联系你所在当地的处理机构或可回收中心咨询更多相关细节。

Arrma 使用条款

- 安全操作本产品是消费者自己应负的责任。14 岁以上才能操控这个模型。
- 消费者应承担使用本产品的风险。Arrma, 其分支机构，生产商以及销售商不能控制对本产品的使用，充电或者安装，也不会对因使用不当造成的任何事故，人身伤害及财产损失承担任何责任。
- 阅读上述内容后，如果你不同意这些条款和情形和你不接受使用本产品的全部责任，请立即将没使用过的模型车退到购买点。使用过的产品你的零售商不能进行退货或更换。





保固



当使用或组装此产品时，确保未成年使用者得到适当的指导以及监督，是父母或是监护人的责任。

这是一个结构复杂且高水准的遥控模型，使用上必须小心。附在本套产品里的说明书广泛地包含所有操作本产品的资讯。维护保养可参考爆炸结构图以及步骤指导，改装升级和维修您的产品请上网搜寻 ARRMA-RC.com

ARRMA 尽可能确保您的产品在出厂时是坚固耐用的。然而，当产品受到撞击或是滥用的时候，还是会发生断裂受损的情况。某些零件是消耗品且会随着使用次数而磨损（例如：离合器垫、煞车、轮胎等）。使用越激烈或越频繁将会提高这些零件的磨损率。请在使用前和使用后检查您的产品，并在故障前完成替换。升级后的零件可能会对标准零件造成额外的损耗。请每次确认轮胎、轮框以及传动器是否能承受增加的扭力和速度。如果无法承受，请上 ARRMA-RC.com 查询升级这些部分的细节，以及小如何修改调整的技巧和诀窍。这台车上的所有零件都可分开购买，是以组合形式购买，让您的产品可以使用好几年。车壳不只是为了好看，它也是为了保护齿轮和电子设备等重要部位不受撞击而设计的。在每次竞速的时候请装上车壳（引擎磨合阶段除外）并且确保电子引擎得到足够的冷却。不要盖住或是没有剪开我们所建议的车壳开孔，否则可能会产生过热的情况。

安全地操作本产品是使用者（您）的责任。如果您在使用本产品时遇到了问题，您有责任将车子停下来，并在造成毁损或受伤之前调查以及修正问题。使用者必须选择一个适当的场所，来使用模型，远离潜在的危机，人员以及动物。使用者在使用前以及使用后必须仔细检查整个模型，以防问题发生，财产损失和潜在的损伤。使用者有责任使用正确的电池、燃油、黏剂、涂料、充电器以及任何其他需要操作和保养本产品的工具、配件和材料。在相关产品的使用上遵循制造商的指南手册和预防措施是使用者的责任。

在不佳的天气状况下使用本产品需要更频繁地维护保养，像是清理以及重新涂上润滑脂和油。海水具有特别腐蚀性。沙比起灰尘、碎石或草，更能够对零件造成伤害和磨损。电子遥控装备和电子变速器若碰到水，将可能发生失控状态以及对产品、财产，或您自己造成损坏。木精引擎或汽油引擎一旦进水，将会锁死汽缸，进而造成引擎的损坏。

ARRMA 执行了大规模的测试程序，确保所有产品的坚固力和品质符合我们的高标准检测。也因如此，我们提供所有产品两年的保固，其中包含材料、制品，以及组装上的瑕疵，皆在保固范围内。您的产品在材料、制品，以及组装上有发现瑕疵，经由我们判断是不良品的情况下，我们很乐意为您维修或替换不良的零组件。

如果在产品还没使用前发现材料、制品，以及组装上的瑕疵，假设产品在退回时是完整以及全新的状态下并且包装在原本的包装盒里，我们将会替换整个产品给您。您的零售商很可能会要求您提出购买的收据以事证明。

一旦产品已被使用，经由我们判断是不良品的情况下，我们提供零组件的保固，包含维修和替换，但在这样的条件下，ARRMA 不接受以新换旧的保固条款。

不在保固的范围内	MAKING A WARRANTY CLAIM	引擎保固权益
撞击损坏	请联络您的供应零售商或业者提出保固权益。您将需要一张购买产品时的收据影本(请勿将正本寄出或遗失)	请联络您的供应零售商或业者提出引擎保固权益。您将需要一张购买产品时的收据影本(请勿将正本寄出或遗失)
组装失败或草率使用造成的撞击损坏结果	发商或业者。	在还未取得核准之前，请勿将引擎组件退回给ARRMA或您的批发商或业者。ARRMA或批发商会要求供应经销商或使用者退回产品做专业检查。引擎必须和一张完整的保固权益表格一同退回，表格可在ARRMA-RC.com下载。
缺少维护保养，使用不当或滥用	请勿将整个产品退回。您只需要将损坏的零组件退回即可。我们会告知您需要将哪些零组件一并退回。任何被退回的零组件皆需要附有一张完整的保固权益书，您可在ARRMA-RC.com下载。	注意：引擎必须跟随著以下物件一并寄回：齿轴箱、机轴、活塞、套筒、连杆、汽缸头，化油器以及收拉器
正常的磨损，例如： 磨损的煞车盘，煞车皮，传动输出部件，传动轴，齿轮，培轮，传送带。	注意：无论在任何情况下请勿将装载燃料的车寄回。	请勿将离合器、空气滤清器、歧管或排气管寄回。
因碰到水而造成的损坏或问题。	注意：若经由我们的服务团队检查发现您退回的产品不在保固范围内，在将产品寄回给您之前我们将会以检视为由向您收取费用。	注意：若经由我们的工作人员检查发现您退回的产品不在保固范围内，在将产品寄回给您之前我们将会以检视为由向您收取费用。
手拉器装置	对于修复任何因疏忽或滥用而造成损坏的产品之前，我们将会收取费用(零件以及人工)	对于修复任何因疏忽或滥用而造成损坏的产品之前，我们将会收取费用(零件以及人工)
透明车壳一旦经过颜料喷涂或使用	在众多案件中，让使用者自行替换产品零件是比较效率的，因此我们保留要求使用者自行替换零件的权利。	
工厂涂装车壳一旦经过使用		

在ARRMA世界里我们希望您能够喜爱操控玩乐您的车以及能够轻松拥有一台高水准的遥控模型。如果您有任何关于操控、保养、微调或修复您的ARRMA产品的问题，我们提供您三个选项来帮助您以及给您建议。

请上官网ARRMA-RC.com查询相关零件和升级的资讯。"GO FOR IT"是全球ARRMA玩家的论坛。在这里您可以找到其他ARRMA玩家，并寻求帮助及建议来让您的ARRMA产品呈现更好的状态。如果您找不到您想询问的问题，您可以在任何时候写信到support@ARRMA-RC.com，我们将会尽全力帮助您解决您的疑虑。



ARRMA的批发商或零售商对于产品的遗失或损坏，无论是直接或间接，偶发或是相应所产生的使用，误用或滥用本产品和任何操作本产品所需的配件或化学物品，并无任何责任。



Support

At ARRMA we want you to love running your kit and make owning a high performance RC car as simple as possible. If you have any questions about running, maintaining, tuning or repairing your ARRMA product there are three options for you to use to get help and advice. Visit ARRMA-RC.com for support, parts and upgrades for your kit. 'GO FOR IT' is the world-wide owner's forum for ARRMA. Here you will find other ARRMA owners, get help and advice on how to get the best from your ARRMA product. If you can't find what you're looking for then you can always email us at supportUSA@ARRMA-RC (USA) or support@ARRMA-RC.com (ROW) 24hrs a day and we will do our best to help you with your query.



Hilfestellung

Bei ARRMA möchten wir, dass Sie lange Freude an Ihrem High-Performance-RC-Modell haben. Sollten Sie Fragen zu Betrieb, Wartung, Tuning oder Reparatur haben, dann bieten wir eine Fülle von Möglichkeiten. Gehen Sie auf arrma-rc.com, um mehr über Hilfestellung, Teile oder Tuningteile zu erfahren "GO FOR IT" ist ein weltweites Forum für die Benutzer und Eigner von ARRMA-Produkten. Hier finden Sie andere ARRMA-Nutzer, erhalten Hilfestellung und vieles mehr. Sollten Sie einmal keine Antworten finden, dann kontaktieren Sie uns über supportUSA@ARRMA-RC (USA) oder support@arrma-rc.com (ROW) und wir werden alles tun, um Ihnen helfen zu können.



Support

Chez ARRMA notre volonté est que vous appréciez faire évoluer votre voiture et vous faire posséder une modèle RC de haute performance aussi simple que possible. Si vous avez des questions concernant le fonctionnement, la maintenance, le réglage ou la réparation de votre produit ARRMA, il y a trois possibilité que vous pouvez utiliser pour obtenir l'aide et des conseils. Visitez ARRMA-RC.com pour la prise en charge, des pièces et des mises à niveau de votre kit. « GO FOR IT » est un forum de propriétaires de produit ARRMA dans le monde entier. Vous y retrouverez les autres propriétaires ARRMA, obtiendrez de l'aide et des conseils sur la façon de tirer le meilleur de votre produit ARRMA. Si vous ne trouvez pas ce que vous recherchez, vous pouvez toujours nous contacter par courriel à supportUSA@ARRMA-RC (USA) ou support@arrma-rc.com (ROW) 24h par jour et nous ferons de notre mieux pour vous aider dans votre requête.



Soporte

En ARRMA queremos que disfrute al utilizar su coche y que poseer un modelo de radiocontrol de altas prestaciones sea lo más fácil posible. Si tiene cualquier pregunta sobre utilización, mantenimiento, ajuste o reparación de su producto ARRMA dispone de tres opciones para obtener ayuda y consejo. Visite ARRMA-RC.com para obtener soporte técnico, recambios y mejoras para su modelo. 'GO FOR IT' es el foro internacional de usuarios de ARRMA. En él encontrará otros usuarios de ARRMA y podrá obtener ayuda y consejos para aprovechar al máximo su producto ARRMA. Si no encuentra lo que busca siempre podrá contactarnos por correo electrónico a supportUSA@ARRMA-RC (USA) o support@arrma-rc.com (ROW) donde haremos todo lo posible por ayudarle las 24 horas del día.



サポート

お客様には本製品の走行をお楽しみ頂き、できる限り簡単に高性能 RC にアップグレードして頂きたいと思えます。ARRMA 製品の走行、メンテナンス、チューニング、修理でご質問がある場合、当社では以下の3つの方法でアドバイスをご提供しております。キットのサポートやパーツ、アップグレードについてはホームページ(ARRMA-RC.com)をご覧ください。GO FOR IT は世界中の ARRMA ユーザーのためのフォーラムで、他の ARRMA ユーザーの情報が掲載されており、ARRMA 製品についてのアドバイスが得られます。ホームページやフォーラムでお探しの情報が見つからない場合は当社まで Eメールでお問い合わせください (supportUSA@ARRMA-RC.com (USA) support@ARRMA-RC.com (ROW))。

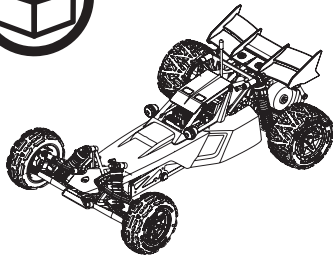


支援

在 ARRMA 世界里我们希望您能够喜爱操控玩乐您的车以及能够轻松拥有一台高水准的遥控模型。如果您有任何关于操控保养、微调或修复您的 ARRMA 产品的问题，我们提供您三个选项来帮助您以及给您建议。请上官网 ARRMA-RC.com 查询相关零件和升级的资讯。"GO FOR IT" 是全球 ARRMA 玩家的论坛。在这里您可以找到其他 ARRMA 玩家，并寻求帮助及建议来让您的 ARRMA 产品呈现更好的状态。如果您找不到您想询问的问题，您可以在任何时候写信到 supportUSA@ARRMA-RC.com (USA) support@ARRMA-RC.com (ROW)，我们将会尽全力帮助您解决您的疑虑。

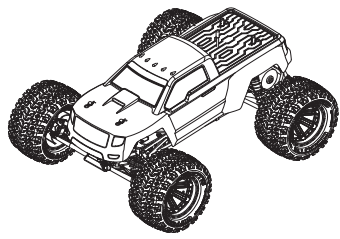


Kit Overview Überblick Aperçu du Kit Descripción del Kit キットの概要 产品概观

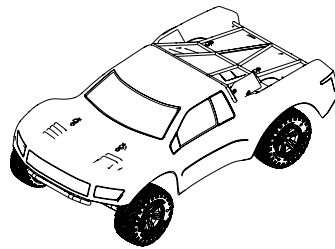


RAIDER

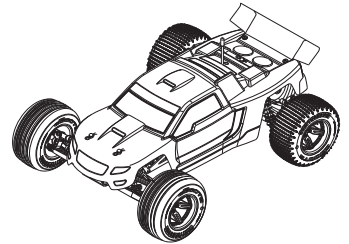
US Design Patent application no. 29/392 417
Community Design No: 001275770-0001



GRANITE



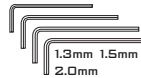
FURY



VORIEKS



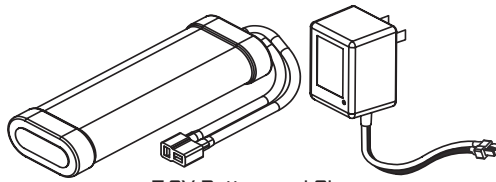
Cross wrench
Kreuzschlüssel
Clé en croix
Llave de cruz
クロスレンチ
十字套筒



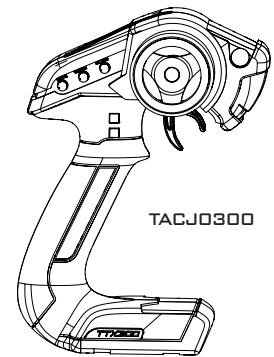
Hex Wrenches
Sechskantschlüssel
Clé hexagonale
Llave Allen
六角レンチ
六角扳手



Shock pre-load spacers
Federvorspannklipse
Calles de précontrainte
Anillas de precarga
ショックプレロードスペーサー
避震器垫片



7.2V Battery and Charger
Akku und Ladegerät
Batteries et chargeur
Batería de y cargador
バッテリー及び充電器
電池和充电器

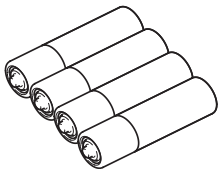


TACJ0300

ARRMA TTX300 2.4Ghz Transmitter
ARRMA TTX300 2.4Ghz Sender
ARRMA TTX300 2.4Ghz Emetteur
ARRMA TTX300 2.4Ghz Emisora
ARRMA TTX300 2.4Ghz 送信機
ARRMA TTX300 2.4Ghz 遥控器



Required Benötigt Requis Requeridos 必要な 要求



AA batteries x4
AA Batterien x4
AA Batteries x4
baterías AA x4
AA 電池 x4
AA 電池 x4



PC with Internet access
PC mit Internetzugang
PC avec accès à Internet
PC con acceso a Internet
インターネット接続付きの PC
电脑与互联网接入



CAUTION: RISK OF EXPLOSION IF BATTERY IS REPLACED BY AN INCORRECT TYPE. DISPOSE OF USED BATTERIES ACCORDING TO THE INSTRUCTIONS.

1. Use only four(4) AA alkaline batteries in your TTX300 transmitter.
2. Do not dispose of the battery in a fire as it may explode. Check with local codes for possible special disposal instructions.
3. Do not open or mutilate the battery. Released electrolyte is corrosive and may cause damage to the eyes and skin. It may be toxic if swallowed.
4. Exercise care in handling batteries in order not to short the battery with conducting materials such as rings, bracelets and keys. The battery or conduction material may over-heat and cause burns.

VORSICHT: BEI DER VERWENDUNG DES FALSCHEN AKKU-/BATTERIETYPUS KANN ES ZU EXPLOSIONEN KOMMEN. ENTSORGEN SIE ALTE AKKUS/BATTERIEN IMMER ENTSPRECHEND DEN BEILIEGENDEN INSTRUKTIONEN.

1. Verwenden Sie lediglich vier (4) AA-Alkali Batterien in Ihrem TTX300-Sender.
2. Akkus/Batterien nicht ins Feuer werfen. Explosionsgefahr! Befragen Sie im Zweifel Ihr lokales Entsorgungsunternehmen oder Ihren Fachhändler bezüglich der korrekten Entsorgung von alten/defekten Akkus/Batterien.
3. Öffnen oder Beschädigen Sie auf keinen Fall Akkus/Batterien. Austretendes Elektrolyt ist ätzend und kann in Kontakt mit Augen und/oder Haut zu Verätzungen führen. Toxisch beim Verschlucken.
4. Vermeiden Sie Kurzschlüsse und seien Sie Vorsichtig, wenn Sie Ketten oder Ringe tragen, da auch diese Kurzschlüsse hervorrufen können. Akkus oder leitendes Material kann heiß werden und Verbrennungen hervorrufen.

PRECAUCIÓN: RIESGO DE EXPLOSIÓN SI LA BATERÍA ES SUSTITUIDA POR OTRA DE TIPO INCORRECTO. DESECHE LAS BATERÍAS USADAS SIGUIENDO LAS INSTRUCCIONES.

1. Utilice sólo cuatro (4) baterías alcalinas AA en su emisora TTX300
2. No deseche la batería quemándola ya que podría explotar. Compruebe las regulaciones locales para posibles instrucciones especiales para su desecho.
3. No abra ni corte la batería. El electrolito desprendido es corrosivo y podría causar daños en piel y ojos. Puede resultar tóxico en caso de ingestión.
4. Ponga especial cuidado al manejar las baterías para evitar cortocircuitos con materiales conductores como anillos, pulseras o llaves. La batería o el material conductor podrían calentarse y causar quemaduras.

ATTENTION: RISQUE D'EXPLOSION SI LA BATTERIE EST REMPLACÉE PAR UN TYPE DE BATTERIE INCORRECT. JETEZ LES PILES USAGÉES SELON LES INSTRUCTIONS.

1. Utilisez uniquement quatre (4) piles alcalines AA dans votre émetteur de TTX300.
2. Ne jetez pas la batterie au feu car elle pourrait exploser. Vérifiez les consignes local des déchets pour connaître la procédure d'élimination.
3. Ne pas ouvrir ni mutiler les piles. L'électrolyse est corrosive et peut causer des dommages aux yeux et sur la peau. Elle peut être toxique si elle est avalée.
4. Faire preuve de prudence lors de la manipulation des piles afin de ne pas court-circuiter avec des matériaux conducteurs tels que bagues, bracelets et clés. Les batteries ou la conduction peuvent surchauffer et causer des brûlures.

注意：バッテリーを間違ったタイプと交換すると爆発の危険性がある。指示に従って使用済み電池を処分。

1. あなたのラジオ TTX300 で唯一の 4 (4) 単三アルカリ電池。
2. それが爆発する可能性が燃焼することによって、バッテリーに捨てないでください。可能な特別な廃棄手順については、地域の規制を確認してください。
3. バッテリーを開けたり、不具ないでください。進化した電解液は腐食性であり、皮膚や目に損傷を引き起こす可能性があります。飲み込むと、それは毒性であり得る。そのような指輪、ブレスレットやキーなどの導電性材料との短絡を避けるために、バッテリーを取り扱うとき
4. 特別な注意を払ってください。バッテリーや導体が過熱して火傷の原因になります。

注意：爆炸危险，如果更换的电池类型不正确。按照说明处理废旧电池。

1. 只能使用 4 个 AA 碱性电池在电台 TTX300。
2. 不要通过燃烧可能发生爆炸处理电池。查阅当地有关可能的特殊处理的说明。
3. 不要打开或毁坏电池。演进的电解质有腐蚀性，可能会损害皮肤和眼睛。这可能是吞咽。
4. 装卸电池，以避免短路导电材料，如戒指，手镯和钥匙要特别小心。电池或导线可能会过热并导致灼伤。



TACTIC TTX300 2.4GHz

TTX300

TACTIC PURE RELIABLE 2.4



Trim and Dual-rate dials
Trimm- und Dual-Rate-Regler

TRIM et Dual-rate

Diales de centrado y ajuste de ratio doble

トリムおよびデュアルレートダイヤル

微调和舵量旋钮

Steer wheel (CH1)

Lenkrad (CH1)

Volant de direction (CH1)

Volante de la dirección (CH1)

ステアリングホイール (CH1)

转向轮 (CH1)

Power switch

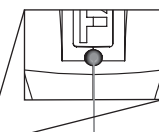
An/Ausschalter

Interrupteur d'allumage

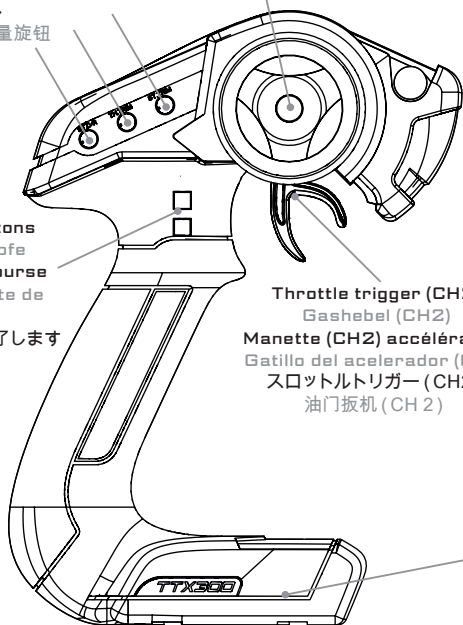
Interruptor de encendido

電源スイッチ

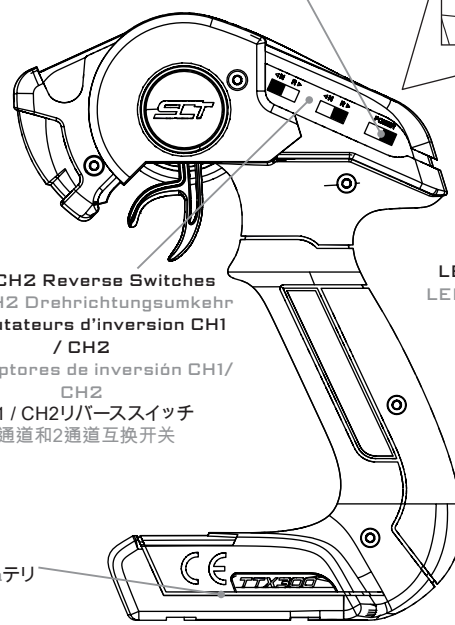
开关



Power LED
Power-LED
LED d'allumage
LED de encendido
パワーLED
开关指示灯



TACJ0300



End Point Buttons
Endpunktknöpfe
Bouton fin de course
Botones de limite de recorrido
ポイントボタンを終了します
終点按钮

Throttle trigger (CH2)

Gashebel (CH2)

Manette (CH2) accélérateur

Gatillo del acelerador (CH2)

スロットルトリガー (CH2)

油门扳机 (CH2)

CH1/CH2 Reverse Switches
CH1/CH2 Drehrichtungsumkehr
Commutateurs d'inversion CH1 / CH2

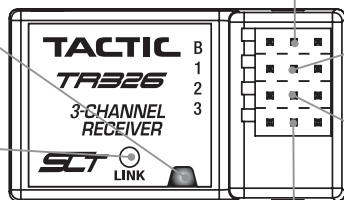
Interruptores de inversión CH1/CH2

CH1 / CH2リバーススイッチ
1通道和2通道互换开关

Battery compartment
Batteriefach
Compartiment Batterie
Compartimento de la batería
コンパートメント
電池盒

Status LED
Status-LED
LED Statu
LED de estado
ステータスLED
状态指示灯

Bind button
Bind-Knopf
Bouton de liaison
Botón de enlace
バインドボタン
对频按钮



TACLO326

Steering (CH1) socket
Lenkungsbuchse (CH1)
(CH1) socket direction
Conector de la dirección (CH1)
ステアリング (CH1)ソケット
转向 (CH1) 插座

BAT socket
BAT-Buchse
Socket BAT
Conector BAT
BATソケット
電池插座

Throttle socket (CH2)
Gasbuchse (CH2)
Socket accélérateur (CH2)
Conector del acelerador (CH2)
スロットルソケット (CH2)
油门插座 (CH2)

CH3 socket
Kanal 3 (CH3) Buchse
CH3 socket
Conector CH3
CH3 ソケット
CH3 插座

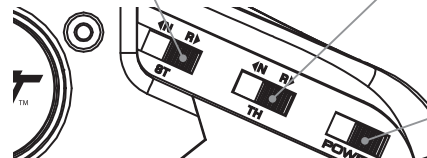
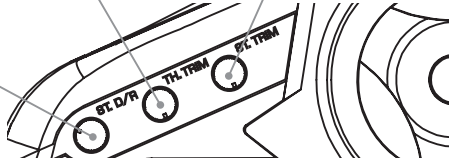
Throttle trim
Gastrimmung
Trim d'accélération
Centrado del acelerador
スロットルトリム
油门微调

Steering trim
Lenkungsstrimmung
Trim de direction
Centrado de la dirección
ステアリングトリム
转向微调

Steering reverse
Lenkungs-Reverse
Inversion de direction
Invertir dirección
ステアリングリバース
逆转向

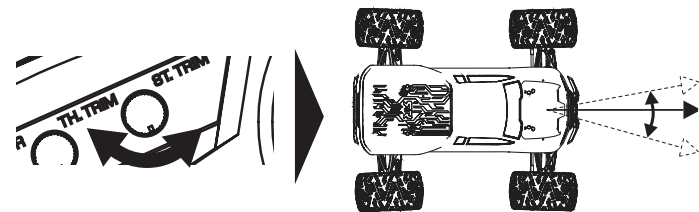
Throttle reverse
Gas-Reverse
Inversion d'accélérateur
Invertir acelerador
スロットルリバース
逆向油门

Steering dual rate
Lenkungs-Dual-Rate
Dual Rate de direction
Ajuste del ratio doble de la dirección
ステアリングデュアルレート
转向双速率

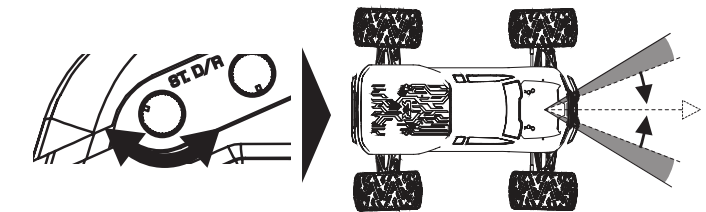


Power switch
An/Ausschalter
Interrupteur d'allumage
Interruptor de encendido
電源スイッチ
开关

STEERING TRIM LENKUNGSSTRIMMUNG TRIM DE DIRECTION
CENTRADO DE LA DIRECCIÓN ステアリングトリム 转向微调



DUAL RATE DUAL-RATE DUAL RATE
AJUSTE DEL RATIO DOBLE デュアルレート 双速率



THROTTLE TRIM GASTRIMMUNG TRIM D'ACCÉLÉRATION
CENTRADO DEL ACCELERADOR スロットルトリム 油门微调

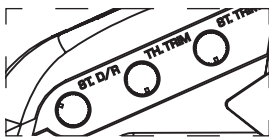
Throttle Trim: factory default zero, adjustment is not necessary. Gastrimmung: Werkseinstellung null, Einstellung nicht erforderlich. Trim d'accélération: réglage non nécessaire, réglage au neutre d'origine. Centrado del acelerador: ajustado al 0 de fábrica, no se necesita ninguna modificación. スロットルトリムは工場出荷時にゼロで設定されています。調節は不要です。油门微调: 原厂设定值为零, 无需调整

BATTERY STATUS BATTERIE-STATUS STATUT DE BATTERIE
ESTADO DE LA BATERÍA バッテリーステータス 電池状态

If battery status LED is flashing, the batteries need to be replaced. Wenn die Batterie-Status-LED blinkt, müssen die Batterien des Senders erneuert werden. Si la LED de statut flashe, la batterie du doit être remplacée. Si el LED de estado de la bateria está parpadeando, las baterías de la emisora han de ser reemplazadas. バッテリーステータスLEDが点滅している場合は、バッテリーを交換してください。如果电池状态指示灯闪烁, 电池需要更换。



FACTORY DEFAULTS WERKSEINSTELLUNGEN RÉGLAGES D'USINE DEFECTOS DE FABRICACIÓN 工場出荷時の設定 出厂默认值



Steering CH1/Throttle CH2 channels see table, Steering and Throttle trim set to middle/zero adjustment. Steering Dual Rate at 100% fully left.
 Lenkung Kanal 1/Gas Kanal 2 siehe Tabelle, Lenkung und Gas/Bremstrimmung in Mittelstellung/Nullstellung. Dual Rate Lenkung auf 100 Prozent/vollständig links.
 Direction CH1 / Gaz CH2 voir tableau, trim de direction et des gaz au milieu / zéro. Dual Rate de la Direction à 100% / complètement à gauche.
 Dirección CH1 / CH2 canales acelerador ver tabla, Dirección y acelerador TRIM fijan al ajuste / cero medio. Dirección de doble precio en 100 % totalmente a la izquierda.
 ステアリングCH1/CH2スロットルチャンネルは、テーブル、ステアリングとスロットルはミドル/ゼロ調整に設定トリムを参照してください。100%でのステアリングデュアルレートを完全に残しました。
 通道1转向/通道2油门见目录，转向和油门微调设置在中位/零位。转向舵量在左面的100%位置。

CH1-ST	NOR	REV
CH2-TH	NOR	REV

BINDING VERBINDEN LAISON ENLACE バインディング 対頻

Remove receiver box lid
Entfernen Sie den Empfängerbox-Deckel
Retirer le couvercle de la boîte radio
Quitar la tapa de la caja del receptor
受信機ボックスのフタを取り外します。
取下接收盒盖

Press and hold bind button
Drücken und halten Sie den "Bind"-Knopf
Appuyez et maintenez le bouton Bind
Presiona y mantén pulsado el botón de enlazado
を押して、バインドボタンを押したまま
按下并一直按住对频键

Switch on Car
Schalten Sie das Fahrzeug ein
Allumez la voiture
Encienda el coche
車のスイッチ
车辆上的开关

Receiver LED will blink
Empfänger LED blinkt
La LED du récepteur va clignoter
EI LED del receptor parpadeará
受信機のLEDが点滅します。
接受器显示灯将会闪烁

Switch on transmitter
Schalten Sie den Sender ein
Allumez l'émetteur
Encienda la emisora
送信機のスイッチを入れます
遥控器上的开关

LED stops blinking
LED hört auf zu blinken
La LED de arrête de clignoter
EI LED deja de parpadear
ステータスLEDの点滅が止まります。
状态指示灯停止闪烁

END POINT ADJUSTMENT ENDPUNKT-EINSTELLUNG VÉRIFIEZ LE RÉGLAGE DES VALEURS MAXIMUM PUNTO FINAL DE AJUSTE

To enter programming mode:
Zugang zu den Programmeinstellungen:
Pour entrer dans le mode de programmation:
Para entrar en el modo de programación:
プログラミングモードを入力するには:
输入程序模式

Turn steer-wheel fully right
Lenkrad komplett nach rechts drehen
Tournez le volant complètement à droite
Gire novillo ruedas totalmente a la derecha
完全向右操舵輪を回し
转向手輪转到最右

Apply full throttle (pull)
Vollgas geben (ziehen)
Accélérez à plein régime
Aplicar todo gas (pull)
フルスロットル(プル)を適用します
全油门(拉)

Power on Transmitter
Schalten Sie den Sender ein
Allumez l'émetteur
Encienda la emisora
送信機の電源をオンにします
遥控器上的电源

Power LED will flash five times
Die Power-LED wird fünf Mal blinken
Power LED doit clignoter cinq fois
EI LED de encendido parpadeará cinco veces
電源LEDが5回点滅します
電源LED灯闪烁5次

Place vehicle off the ground and switch on
Fahrzeug ohne Bodenkontakt aufbocken und einschalten
Placez le véhicule au sol et allumez-le
Coloque el vehículo fuera de la tierra y encienda
プレイス車両地面との切り替え
车离地面并打开开关

STEERING END POINTS LENKUNGS-ENDPUNKTE
FINS DE COURSE DE DIRECTION LÍMITES DE RECORRIDO DE LA DIRECCIÓN
ステアリングエンドポイント 转向终点

Turn steer-wheel left or right
Nach links oder rechts lenken
Tournez les roues à gauche ou à droite
Gire novillo ruedas izquierda o derecha
ターンステアホイールは左または右
向左或向右转向

THROTTLE END POINTS GAS/BREMSEN-ENDPUNKTE
FIN DE COURSE DES GAZ LÍMITES DE RECORRIDO DEL ACELERADOR
スロットルのエンドポイント 油门终点

Apply throttle or brake
Gas oder Bremse betätigen
Accélérez ou Freinez
Aplique el acelerador o el freno
スロットルやブレーキをかけ
加速或刹车

The grip buttons adjust the end points
Griff-Knöpfe verändern den Endpunkt
Appuyer sur les boutons pour modifier les fins de course
Los botones de la empuñadura varían el límite de recorrido
グリッポタンは、エンドポイントを移動します
手柄按钮移动终点

Always Turn off car first and then transmitter to save settings
Immer das Fahrzeug und dann den Sender ausschalten um Einstellung zu speichern
Toujours éteindre la voiture et ensuite l'émetteur pour enregistrer les paramètres
Siempre Apague coche y luego transmisor para guardar la configuración
常に車の電源をオフにして、設定を保存するために送信機
进行遥控器保存设定之前要先将车辆电源切断。



FAILSAFE SETUP **FAILSAFE-SETUP** **CONFIGURATION FAILSAFE** **CONFIGURACIÓN DE AUTOPROTECCIÓN** **エールセーフの設定** **失效保护安装**

<p>Place vehicle off the ground Stellen Sie sicher, dass die Räder nicht den Boden berühren Placer le véhicule sur le sol Coloca el vehículo con las ruedas en el aire 地面・ブレイス車 車离地放置</p>	<p>Switch on transmitter and car Sender und Fahrzeug einschalten Allumez l'émetteur et la voiture Enciende el transmisor y el coche 送信機と車のスイッチ 接通遥控器 and 车辆电源</p>	<p>Set steering and/or throttle to desired position for failsafe. Gewünschte Stellung der Lenkung und von Gas/Bremse für das Failsafe vorgeben. Réglez la position de la direction et / ou la position des gaz à la position souhaitée pour le mode Failsafe. De dirección y / o del acelerador a la posición deseada para la prueba de fallos Set. 設定ステアリングおよび/またはフェールセーフのための所望の位置にスロットル 为了失效保护，转向和/或油门设定在合理位置。</p>	<p>Press and hold bind button Drücken und halten Sie den "Bind"-Knopf Appuyez et maintenez le bouton Bind Presiona y mantén pulsado el botón de enlazado を押して、バインドボタンを押しのまま 按下并一直按住对频键</p>	<p>Receiver LED will blink 3 times Die Empfänger-LED blinkt dreimal La LED du récepteur clignote 3 fois Receptor LED parpadeará 3 veces 受信機のLEDが3回点滅します 接收机的LED灯 装闪烁3次</p>	<p>Release bind button Bind-Knopf loslassen Relâchez le bouton « bind » Suelte el botón de enlace リリースバインドボタン 松开对频键</p>

FACTORY RESET **WERKS** **USINE PAR DÉFAUT** **PREDETERMINADO** **出廠默認** **工場出荷時の設定**

<p>To reset end point adjustment: Um die Endpunkt-Einstellung zurückzusetzen: Pour réinitialiser le réglage du fin de course: Para restablecer el ajuste del límite de recorrido: エンドポイントの調整をリセットするには: 重設終点</p>				
<p>Turn steer-wheel fully left Lenken Sie vollständig nach links Tournez les roues complètement vers la gauche Gira la dirección completamente hacia la izquierda 源を入れステアア輪が完全に残って 完全左转向</p>	<p>Apply full brake (push) Drücken Sie den Bremshebel voll durch (Vollbremse) Appliquez pleinement le frein Frena a fondo フルブレーキ (プッシュ) を適用します 执行全刹车 (推)</p>	<p>Power on Transmitter Schalten Sie den Sender ein Allumez l'émetteur Enciende la emisora 送信機の電源をオンにします 遥控器上的电源</p>	<p>Power LED will flash five times Die Power-LED wird fünf Mal blinken Power LED doit clignoter cinq fois El LED de encendido parpadeará cinco veces 電源LEDが5回点滅します 电源LED灯闪烁5次</p>	

FCC Contains FCC ID: IYFTTX300. Product Name: 2.4Ghz Transmitter Model Number: TTX300. This device complies with part 15 of the FCC Rules. Operation is subject to the following two conditions: (1) This device may not cause harmful interference, and (2) this device must accept any interference received, including interference that may cause undesired operation.

FCC Rf Radiated Exposure Statement: The equipment complies with FCC Rf radiation exposure limits set forth for an uncontrolled environment. This equipment should be installed and operated with a minimum distance of 20 centimeters between the radiator and your body.

NOTE: THE MANUFACTURER IS NOT RESPONSIBLE FOR ANY RADIO OR TV INTERFERENCE CAUSED BY UNAUTHORIZED MODIFICATIONS TO THIS EQUIPMENT. SUCH MODIFICATIONS COULD VOID THE USER'S AUTHORITY TO OPERATE THE EQUIPMENT.



CE
R&TTE
DIRECTIVE
1999/5/EC
ARRMA-RC.COM/CE

Industry Canada Notice This device complies with Industry Canada license-exempt RSS standard(s). 1. Operation is subject to the following two conditions: (1) this device may not cause interference, and (2) this device must accept any interference that may cause undesired operation of the device. 2. Changes or modifications not expressly approved by the party responsible for compliance could void the user's authority to operate the equipment. This equipment complies with IC radiation exposure limits set forth for a controlled environment. In order to avoid the possibility of exceeding the IC radio frequency exposure limits, Human proximity to the antenna shall not be less than 20cm during normal operation.

INSTRUCTIONS FOR DISPOSAL OF WASTE EQUIPMENT BY PRIVATE USERS IN THE EUROPEAN UNION: This symbol on the product or its packaging indicates this product must not be disposed of with other household waste. Instead, it is the user's responsibility to dispose of their waste equipment by handing it over to a designated collection point for the recycling of waste electrical and electronic equipment. The separate collection and recycling of your waste equipment at time of disposal will help to conserve natural resources and ensure that it is recycled in a manner that protects human health and the environment. For more information about where you can drop off your waste equipment for recycling, please contact your local city office, your household waste disposal service or location where you purchased the product.

ENTSORGUNG IN DER EUROPÄISCHENUNION: Dieses Produkt darf nicht über den Hausmüll entsorgt werden. Es ist die Verantwortung des Benutzers, dass Produkt an einer registrierten Sammelstelle für Elektroschrott abzugeben diese Verfahren stellt sicher, dass die Umwelt geschont wird und natürliche Ressourcen nicht über die Gebühr beansprucht werden. Dadurch wird das Wohlergehen der menschlichen Gemeinschaft geschützt. Für weitere Informationen, wo der Elektromüll entsorgt werden kann, können Sie Ihr Stadtbüro oder Ihren lokalen Entsorger kontaktieren.





Caution: Risk of explosion if battery is replaced by an incorrect type. Dispose of used batteries according to the instructions.

1. Use only four (4) AA alkaline batteries in your TTX300 transmitter.
2. Do not dispose of the battery in a fire as it may explode. Check with local codes for possible special disposal instructions.
3. Do not open or mutilate the battery. Released electrolyte is corrosive and may cause damage to the eyes and skin. It may be toxic if swallowed.
4. Exercise care in handling batteries in order not to short the battery with conducting materials such as rings, bracelets and keys. The battery or conduction material may over-heat and cause burns.

Vorsicht: Bei der Verwendung des falschen Akku-/Batterietyps kann es zu Explosionen kommen. Entsorgen Sie alte Akkus/Batterien immer entsprechend den beiliegenden Instruktionen.

1. Verwenden Sie lediglich vier (4) AA-Alkali Batterien in Ihrem TTX300-Sender.
2. Akkus/Batterien nicht ins Feuer werfen. Explosionsgefahr! Befragen Sie im Zweifel Ihr lokales Entsorgungsunternehmen oder Ihren Fachhändler bezüglich der korrekten Entsorgung von alten/defekten Akkus/Batterien.
3. Öffnen oder Beschädigen Sie auf keinen Fall Akkus/Batterien. Austretendes Elektrolyt ist ätzend und kann in Kontakt mit Augen und/oder Haut zu Verätzungen führen. Toxisch beim Verschlucken.
4. Vermeiden Sie Kurzschlüsse und seien Sie Vorsichtig, wenn Sie Ketten oder Ringe tragen, da auch diese Kurzschlüsse hervorrufen können. Akkus oder leitendes Material kann heiß werden und Verbrennungen hervorrufen.

Attention: Risque d'explosion si la batterie est remplacée par un type de batterie incorrect. Jetez les piles usagées selon les instructions.

1. Utilisez uniquement quatre (4) piles alcalines AA dans votre émetteur de TTX300.
2. Ne jetez pas la batterie au feu car elle pourrait exploser. Vérifiez les consignes local des déchets pour connaître la procédure d'élimination.
3. Ne pas ouvrir ni mutiler les piles. L'électrolyse est corrosive et peut causer des dommages aux yeux et sur la peau. Elle peut être toxique si elle est avalée.
4. Faire preuve de prudence lors de la manipulation des piles afin de ne pas court-circuiter avec des matériaux conducteurs tels que bagues, bracelets et clés. Les batteries ou la conduction peuvent surchauffer et causer des brûlures.

Precaución: Riesgo de explosión si la batería es sustituida por otra de tipo incorrecto. Deseche las baterías usadas siguiendo las instrucciones.

1. Utilice sólo cuatro (4) baterías alcalinas AA en su emisora TTX300.
2. No deseche la batería quemándola ya que podría explotar. Compruebe las regulaciones locales para posibles instrucciones especiales para su desecho.
3. No abra ni corte la batería. El electrolito desprendido es corrosivo y podría causar daños en piel y ojos. Puede resultar tóxico en caso de ingestión.
4. Ponga especial cuidado al manejar las baterías para evitar cortocircuitos con materiales conductores como anillos, pulseras o llaves. La batería o el material conductor podrían calentarse y causar quemaduras.

注意：バッテリーを間違ったタイプと交換すると爆発の危険性がある。指示に従って使用済み電池を処分。

1. あなたのラジオ TTX300 で唯一の 4 (4) 単三アルカリ電池。
2. それが爆発する可能性が燃焼することによって、バッテリーに捨てないでください。可能な特別な廃棄手順については、地域の規制を確認してください。
3. バッテリーを開けたり、不具ないでください。進化した電解液は腐食性であり、皮膚や目に損傷を引き起こす可能性があります。飲み込むと、それは毒性であり得る。
4. 特別な注意を払ってください。バッテリーや導体が過熱して火傷の原因になります。

注意：爆炸危险，如果更换的电池类型不正确。按照说明处理废旧电池。

1. 只能使用 4 个 AA 碱性电池在电台 TTX300。
2. 不要通过燃烧可能发生爆炸处理电池。查阅当地有关可能的特殊处理的说明。
3. 不要打开或毁坏电池。演进的电解质有腐蚀性，可能会损害皮肤和眼睛。这可能是吞咽。
4. 装卸电池，以避免短路导电材料，如戒指，手镯和钥匙要特别小心。电池或导线可能会过热并导致灼伤。



Electronic Speed Controller (ESC) Fahrregler Variateur électronique Controlador electrónico ESC 电子变速器



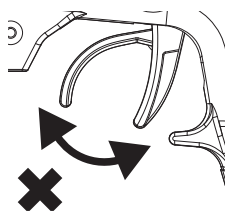
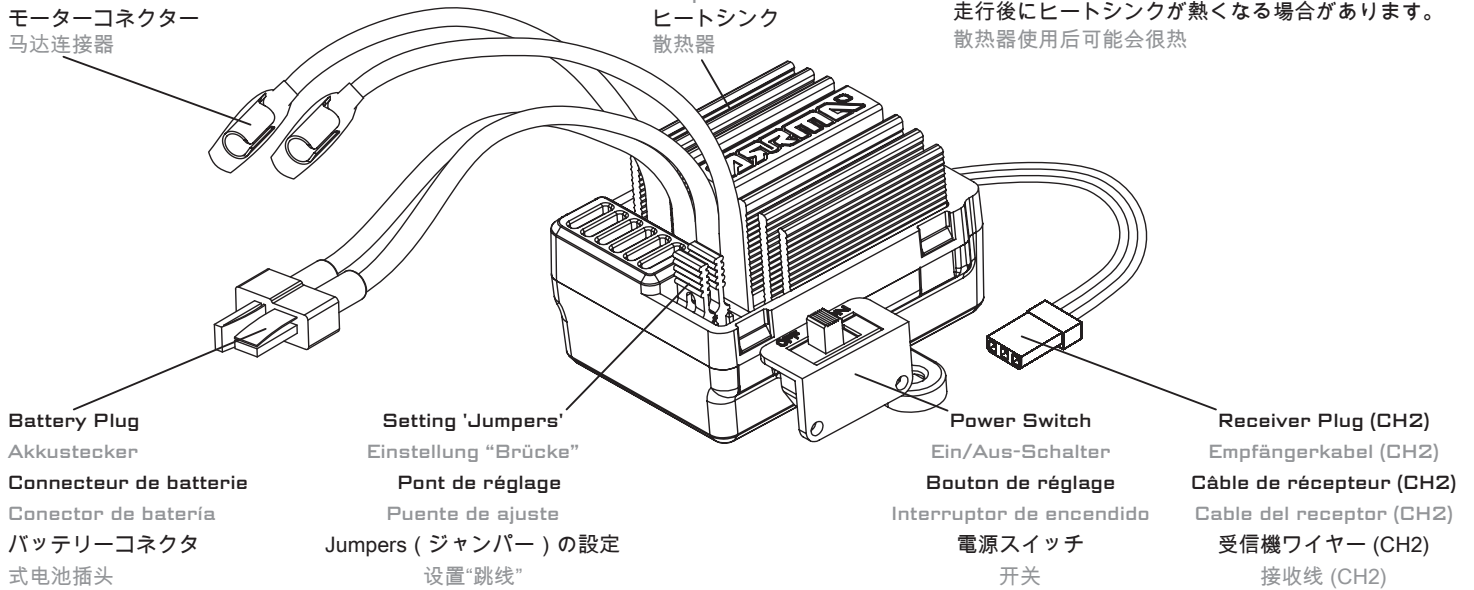
If using LiPo batteries you must set the correct battery mode on the ESC (electronic speed controller) to prevent battery damage.
 Wenn Sie LiPo-Akkus verwenden, muss der entsprechende Batteriemodus am Fahrregler angewählt sein, um Schäden an der Batterie durch Tiefentladung zu verhindern.
 Pour l'utilisation de batteries LiPo, vous devez définir le mode batterie correcte sur le ESC (contrôleur de vitesse électronique) pour prévenir les dommages de la batterie.
 Si utiliza baterías LiPo deberá seleccionar el modo de batería correcto en el ESC (controlador electrónico de velocidad) MEGA para prevenir daños en las baterías.
 LiPo バッテリーをご使用の場合は、バッテリーの損傷を防ぐため ESC を適切なバッテリーモードに設定してください。
 如果使用锂聚合物电池您必须设置对 ESC (电子调速器), 正确的电池模式, 以防止电池损坏。

Motor Connectors
 Motorverbinder
Connecteurs du moteur
 Conectores del motor
 モーターコネクタ
 马达连接器

Heat-sink
 Kühlkörper
Radiateur
 Disipador
 ヒートシンク
 散热器



HEAT-SINK MAY BE HOT AFTER USE
 DER KÜHLKÖRPER KANN NACH DER FAHRT HEISS SEIN
 LE RADIATEUR PEUT ÊTRE CHAUD APRÈS UNE UTILISATION
 EL DISIPADOR PUEDE ESTAR CALIENTE TRAS EL USO
 走行後にヒートシンクが熱くなる場合があります。
 散热器使用后可能会很热



THROTTLE SETUP **GASEINSTELLUNG** **RÉGLAGE DE L'ACCÉLÉRATION** **AJUSTE DEL ACCELERADOR** **スロットルの設定** **油门设置**

Do not move the throttle when switching the model on as the ESC will automatically set the throttle neutral. A long beep will sound to confirm setup.
 Bewegen Sie den Gasgriff nicht, wenn Sie das Modell einschalten. Andernfalls kann der Regler nicht automatisch seine Nullstellung finden. Ein langer Piepton bestätigt den Einstellvorgang.
Ne pas enclencher la gâchette d'accélération en allumant votre modèle, le variateur réglera automatiquement la position neutre de l'accélération. Un long bip retentira afin de confirmer le réglage.
 No mover el acelerador cuando enciendas el modelo y el ESC ajustará automáticamente el punto neutro del acelerador. Un pitido largo confirmará el ajuste.
 車体側のスイッチを入れる際に送信機のスロットルを操作しないでください。ESCガスロットルのニュートラルポジションを自動設定します。設定が完了すると長いビーブ音が鳴ります。ビーブ音が鳴る前にスロットルを操作すると設定が正しく完了しません。
 启动时不要作动油门, ESC会自动设置油门中立点。会发出长哔音, 以确认设置。

ESC SPECIFICATIONS		REGLERSPEZIFIKATIONEN		SPÉCIFICATIONS DU VARIATEUR ÉLECTRONIQUE		ESPECIFICACIONES DEL ESC		ESCの仕様		ESC规格	
Input Voltage	Eingangsspannung	Voltage d'entrée	6-7 NiMh (7.2-8.4v) / 2S Lipo (7.4v)	BEC Output	BEC Ausgang	Sortie BEC	BEC	Voltage de salida del BEC	BEC 出力	免電池电路 (BEC) 輸出	5.0v/2A Max
Voltaje de entrada	入力電圧	輸入電壓									

ESC STATUS LED	REGLER-STATUS-LED	LE STATUT DES LED DU VARIATEUR ÉLECTRONIQUE	INDICADOR LED DEL ESC	ESC ステータス LED	ESC 状态 LED	
	LED off: Neutral throttle LED aus: Gas/Bremse neutral LED éteintes : Accélération au neutre Indicador LED apagado: Acelerador neutro	LED blinking slowly: Partial Forward/Reverse/Brake LED blinkt langsam: Teilgas/-rückwärts/-bremse LED clignotant lentement : Marche Avant/Marche Arrière/ Freinage en fonctionnement partiel Indicador LED parpadeando lentamente: Acelerador/ Marcha atrás/Freno accionado parcialmente	LED solidly on: Full Forward/Reverse/Brake LED permanent an: Vollgas/-rückwärts/-bremse LED Allumés : Marche Avant/Marche Arrière/ Freinage en fonctionnement complet Indicador LED encendido permanentemente: Acelerador/Marcha atrás/Freno accionado completamente	LED がオフ: ニュートラルスロットル LED 关闭: 油门中立点	LED がゆっくり点滅: ハーフスロットル/リバース/ブレーキ LED 指示灯缓慢闪烁: 半正向/反向/刹车	LED 点灯: フルスロットル/リバース/ブレーキ LED 扎实: 全正向/反向/制动

LOW VOLTAGE CUT OFF	UNTERSPIGUNGABSCHALTUNG	COUPURE BASSE TENSION	CORTE DE BAJO VOLTAJE	低電圧カットオフ	低電圧保護
Battery Mode	Batteriemodus	Type de batterie	Tipo de batería	バッテリーモード	電池模式
Cut-off Voltage	Abschaltungsspannung	Coupure de tension	Corte de voltaje	カットオフ電圧	截止电压

FACTORY DEFAULTS	WERKSEINSTELLUNGEN	RÉGLAGES D'USINE	DEFECTOS DE FABRICACIÓN	工場出荷時の設定	出厂默认值
	Battery Mode: NiMh Batteriemodus: NiMH Type de batterie : NiMh	Reverse: On Rückwärtsgang: ein Marche Arrière : Allumée	Tipo de batería: NiMh Batterie-Modus: NiMH Marche Arrière : Allumée	Marcha atrás: Activada リバース: ON 電池模式: 镍氢電池 反向: 开	

ESC TUNING

REGLERABSTIMMUNG

RÉGLAGE DU VARIATEUR ÉLECTRONIQUE

AJUSTE DEL ESC

ESC のチューニング

ESC 調整

The MEGA brushed ESC has two tuning options - battery mode and reverse lock out. The setting of these modes can be changed by moving the position of the setting 'jumpers'

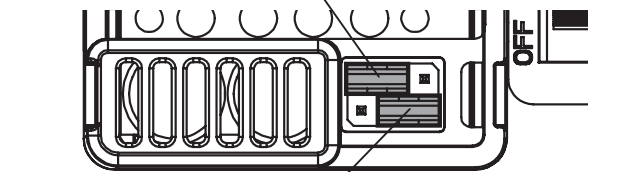
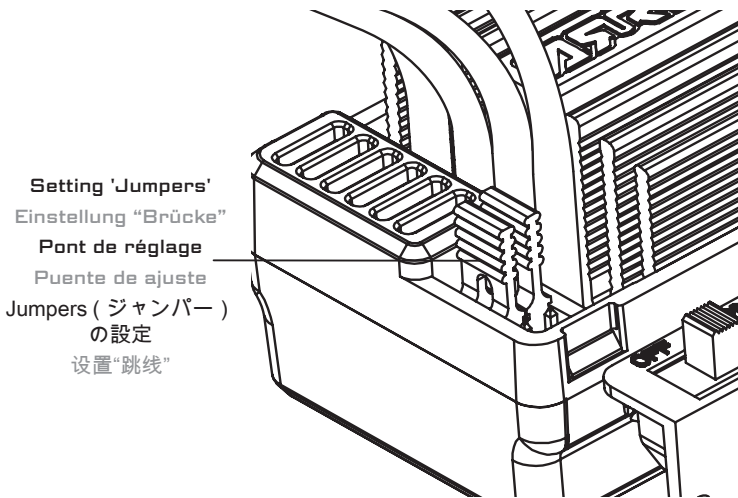
Der MEGA Bürstenmotor-Regler verfügt über zwei einstellbare Parameter: Batteriemodus und Rückwärtsgangsperrre. Die Einstellungen können über die entsprechenden "Brücken" eingestellt werden.

Le variateur électronique MEGA a 2 réglages supplémentaires - Type de Batterie et Marche Arrière bloqué. Le choix et changement de ces deux réglages peut se faire en changeant la position du Pont de réglage.

El ESC de escobillas MEGA cuenta con dos opciones de ajuste - tipo de batería y bloqueo de marcha atrás. El ajuste de estas opciones se puede variar moviendo los puentes de ajuste

MEGA ブラシモーター ESC には、バッテリーモードとリバースロックアウトの 2 つのチューニングオプションがあります。モード設定の変更はセッティングジャンパーの位置を移動して行います。

MEGA 有刷 ESC 有两个微调选项 - 电池模式和逆转锁定。这些模式设置可以改变移动设置跳线的位置



TEMPERATURE PROTECTION TEMPERATURSICHERUNG PROTECTION DE TEMPÉRATURE
PROTECCIÓN POR TEMPERATURA 温度保護 温度保护



If the ESC temperature exceeds 80 degrees Celsius, the ESC will enter temperature protection mode and the red status LED will blink. Once the ESC has cooled down it will resume normal operation.

Für den Fall, dass der Regler eine Temperatur von 80°C für länger als 5 Sekunden erreicht, wird er in den Temperatur-Schutzmodus gehen, was durch ein schnelles Blinken der LED angezeigt wird. Nach dem Abkühlen kann der normale Betrieb fortgesetzt werden.

Si la température du variateur électronique excède 80 degrés Celsius, le variateur électronique entrera automatiquement en mode de protection de température et les LED Rouge clignoteront. Une fois que le variateur électronique aura refroidi, il se remettra à fonctionner normalement.

Si la temperatura del ESC supera los 80° C, el ESC entrará en modo de protección por temperatura y el indicador LED rojo parpadeará rápidamente. Una vez se reduzca la temperatura el ESC volverá a funcionar con normalidad

ESC 内部の温度が 80°C を超えると ESC は温度保護モードとなり、赤のステータス LED が点滅します。ESC の温度が下がると通常に作動します。

如果 ESC 温度超过摄氏 80 度, ESC 将进入温度保护模式和红色状态指示灯将闪烁。一旦 ESC 冷却下来, 将恢复正常运行。



Battery Mode Batteriemodus Mode de Batterie Modo de batería バッテリーモード 电池模式

If using LiPo batteries you must set the correct battery mode on the ESC (electronic speed controller) to prevent battery damage.

Wenn Sie LiPo-Akkus verwenden, muss der entsprechende Batteriemodus am Fahrtregler angewählt sein, um Schäden an der Batterie durch Tiefentladung zu verhindern.

Pour l'utilisation de batteries LiPo, vous devez définir le mode batterie correcte sur le ESC (contrôleur de vitesse électronique) pour prévenir les dommages de la batterie.

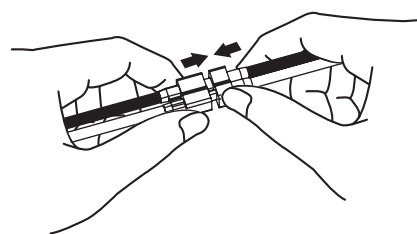
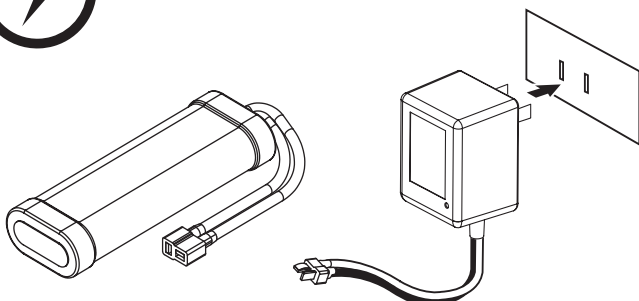
Si utiliza baterías LiPo deberá seleccionar el modo de batería correcto en el ESC (controlador electrónico de velocidad) para prevenir daños en las baterías.

LiPo バッテリーをご使用の場合は、バッテリーの損傷を防ぐため、ESC を適切なバッテリーモードに設定してください。

如果使用锂聚合物电池您必须设置对 ESC (电子调速器), 正确的电池模式, 以防止电池损坏。



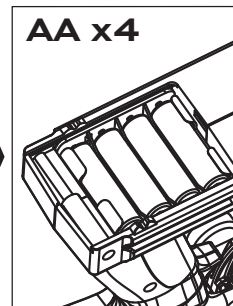
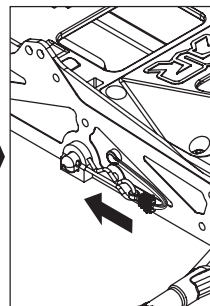
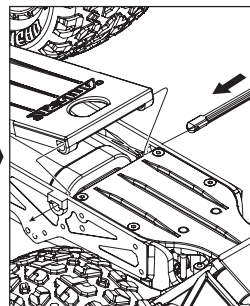
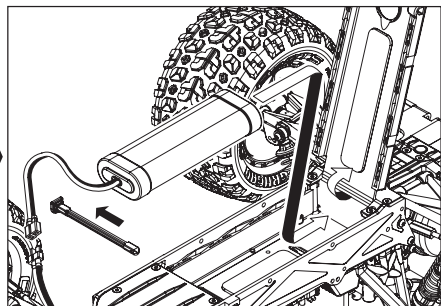
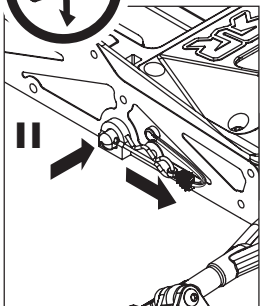
Battery Charging Laden Der Akkus Charge Des Batteries Carga De Baterías バッテリーの充電 充电



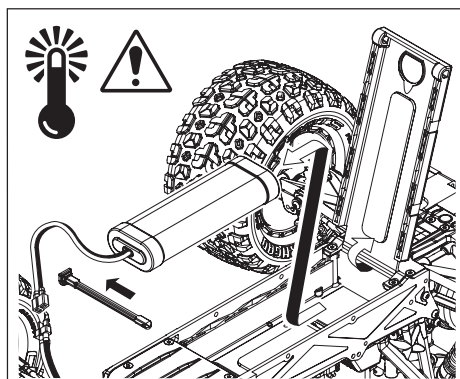
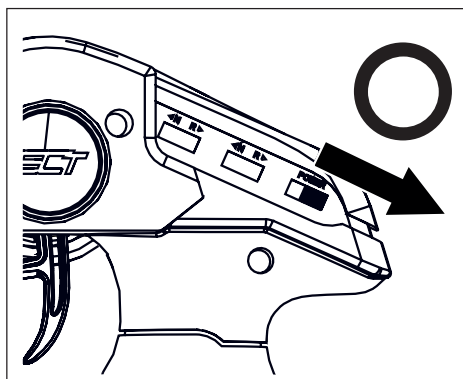
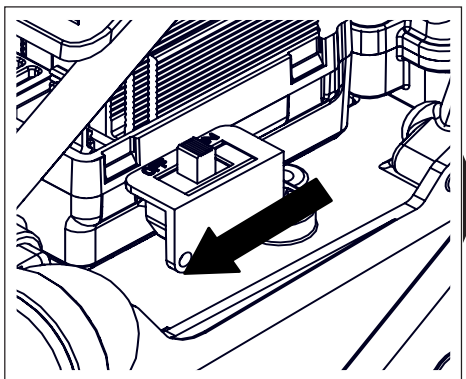
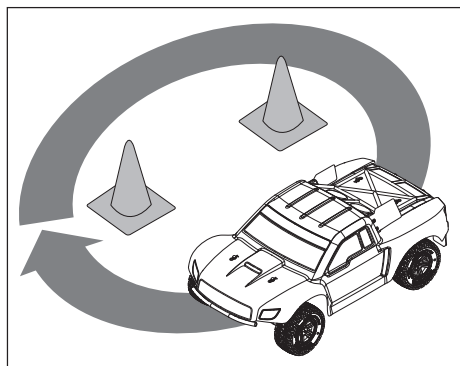
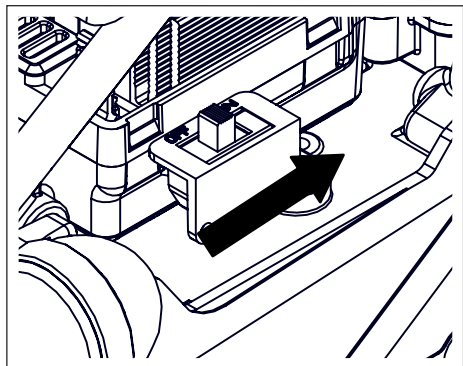
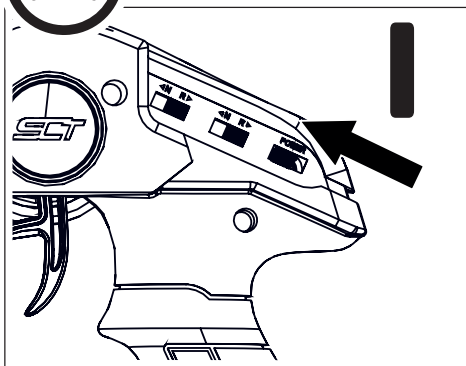
E.G 7.2V 2000MAH @700MA = 2.9 HOURS.



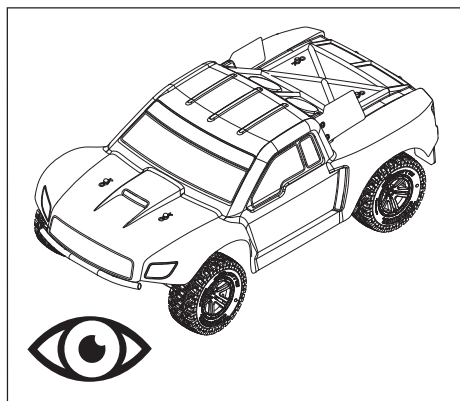
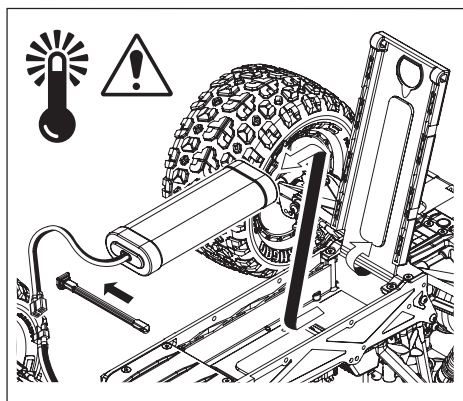
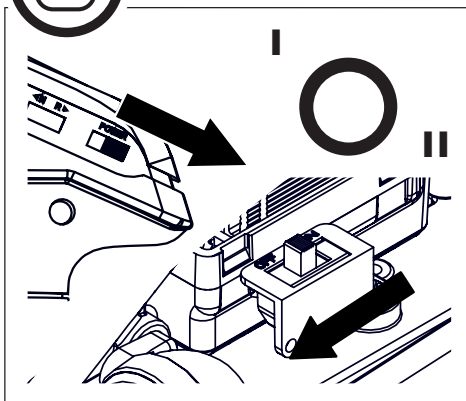
Battery Fitting Einsetzen Der Akkus Raccordement De Batterie Colocación De Baterías バッテリーの装着 組装電池



Running Fahr Conduite Conducción 走行の 操作



Post-Drive Checks Nach dem Fahren Comprobaciones tras la conducción Vérifications après avoir piloté チェックを駆動した後に 運行後の検査





Maintenance Wartung Entretien Mantenimiento メンテナンス 维护

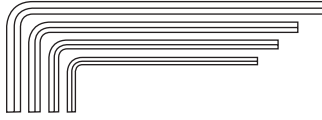
Recommended Tools Empfohlene Werkzeuge Outils recommandés Herramientas Recomendadas 奨励するツール 推荐工具

SUPPLIED

MITGELIEFERT
FOURNIS
SUMINISTRADAS

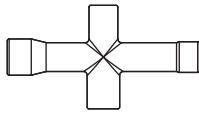
付属
提供的

Hex Wrenches
Sechskantschlüssel
Clé hexagonale
Llave Allen
六角レンチ
六角扳手



1.3 (0.050"), 1.5, 2, 2.5mm

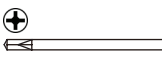
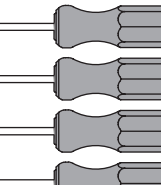
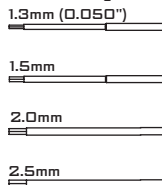
Cross wrench
Kreuzschlüssel
Clé en croix
Llave de cruz
クロスレンチ
十字套筒



Cloth
Lappen
Chiffon
Trapo
布

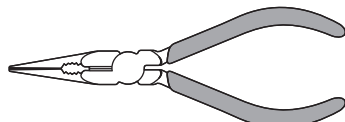
Hex Drivers
Inbusschlüssel
Tournevis à tête
hexagonale

Llaves Hexagonales
六角ドライバー
六角批頭



PH1 Screwdriver
PH1 Philips-
Schraubendreher
Tournevis PH1

Destornillador PH1
PH1 ドライバー
十字螺丝刀

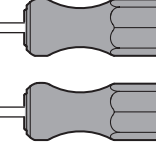
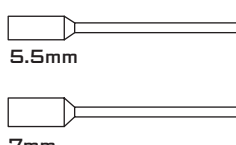


Long Nose Pliers
Spitzzange
Pincers à bec long

Alicates de Punta Fina
ロングノーズプライヤー
尖嘴钳

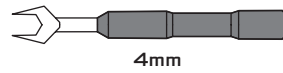
Nut Drivers
Mutterenschlüssel
Clés à douille emmanchée

Llaves de Tuercas
ナットドライバー
螺母套筒批



Turnbuckle Wrench
Spurstangenwerkzeug
Clef pour biellettes à pas
inversés

Llave de Tirantes
ターンバックルレンチ
螺母扳手



4mm

Brush
Bürste
Brosse
Brocha
ブラシ
有刷



Tire Glue
Reifenkleber
Colle à pneus
Pegamento de Ruedas
タイヤグルー
轮胎胶



Automotive Cleaner Spray
Motor-/Bremsenreiniger
Spray
Nettoyant frein
Spray
Limpiador de Automoción
自動車用クリーナーズプレー
自洁喷射剂

NOT SUPPLIED

NICHT ITGELIEFERT
NONFOURNIS
NO SUMINISTRADAS

供給されない
不提供的

Oil Spray

Sprühöl
Spray de Aceite
油性スプレー
噴油

Grease

Fett
Graisse
Grasa
グリース
潤滑油

Maintenance Schedule Wartungsplan Calendrier de maintenance Programa de Mantenimiento 保守計画 维护计划

MAINTENANCE TASK TÂCHE DE MAINTENANCE メンテナンスタスク	AUSZUFÜHRENDE ARBEITEN TAREA DE MANTENIMIENTO 维护任务	PAGE SEITE PAGE ページ PÁGINA 页	X1	X10	X20	X50
Chassis Maintenance / Wartung des Chassis / Entretien du châssis / Mantenimiento del Chasis / シャーシのメンテナンス / 车架维护		27				
Wheel and Tire Maintenance / Wartung der Felgen und Reifen / Entretien des Roues et pneus / Mantenimiento de Ruedas y Neumáticos / ホイールとタイヤのメンテナンス / 车轮及轮胎维护		27				
Slipper clutch Adjustment / Einstellung der Rutschkupplung / Réglage de l'embrayage à glissement limité « Slipper » / Ajuste del Slipper / スリッパークラッチの調整 / 滑动式离合器调整		28				
Spur/Pinion Mesh Adjustment / Einstellung des Zahnflankenspiels / Ajustement de l'entre-dent Pignon / Couronne / Ajuste de Ataque Piñón/Corona / スパー / ピニオンメッシュ調整 / 主齿轮 / 小齿轮咬合调整		29				
Slipper Pad Replacement / Austausch der Kupplungsbeläge / Remplacement des garnitures de Slipper / Sustitución de las Zapatas del Slipper / スリッパパッドの交換 / 限滑垫片替换		29				
Driveshaft Maintenance / Wartung des Antriebsstranges / Entretien de l'arbre de transmission / Mantenimiento de Palieres / ドライブシャフトのメンテナンス / 驱动轴维护		30				
Axle Maintenance / Wartung der Achsen / Entretien des axes / Mantenimiento de Ejes / アクスルメンテナンス / 轮轴维护		31				
Wheel Bearing Replacement / Austausch der Radlager / Changement d'un roulement de roue / Sustitución de Rodamientos de Rueda / ホイールベアリングの交換 / 马达移除		31				

Tools required will appear in this box

Notwendige Werkzeuge werden hier angezeigt

Les outils nécessaires apparaîtront dans cette case

Las herramientas necesarias aparecerán en este cuadro

利必要なツールは、このボックスに表示されます

工具在盒子里



Online Videos Available when you see this icon

Wenn Sie dieses Icon sehen, sind Online-Videos verfügbar

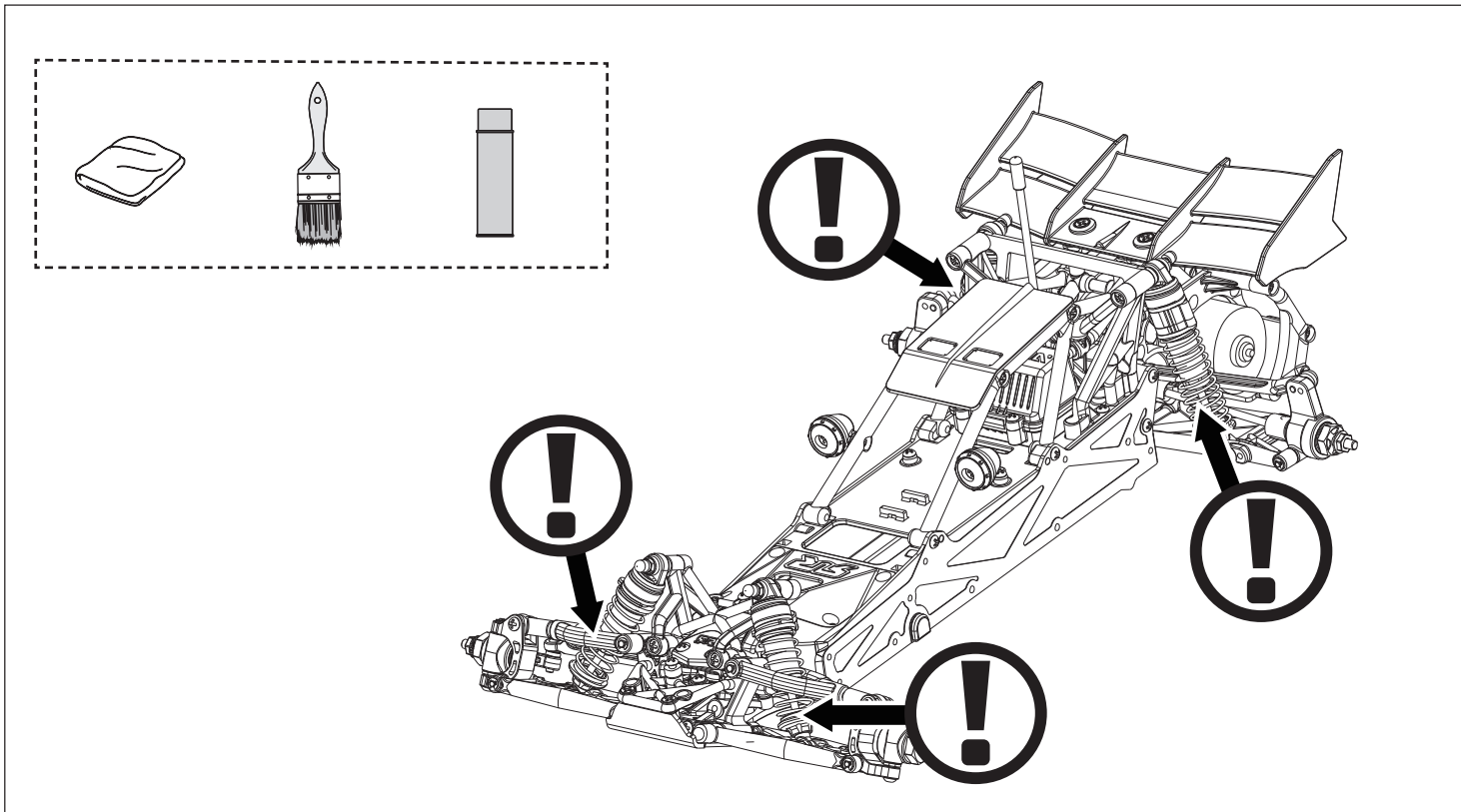
Vidéos en ligne disponibles quand vous voyez cette icône

Videos Disponibles Online cuando veas este icono

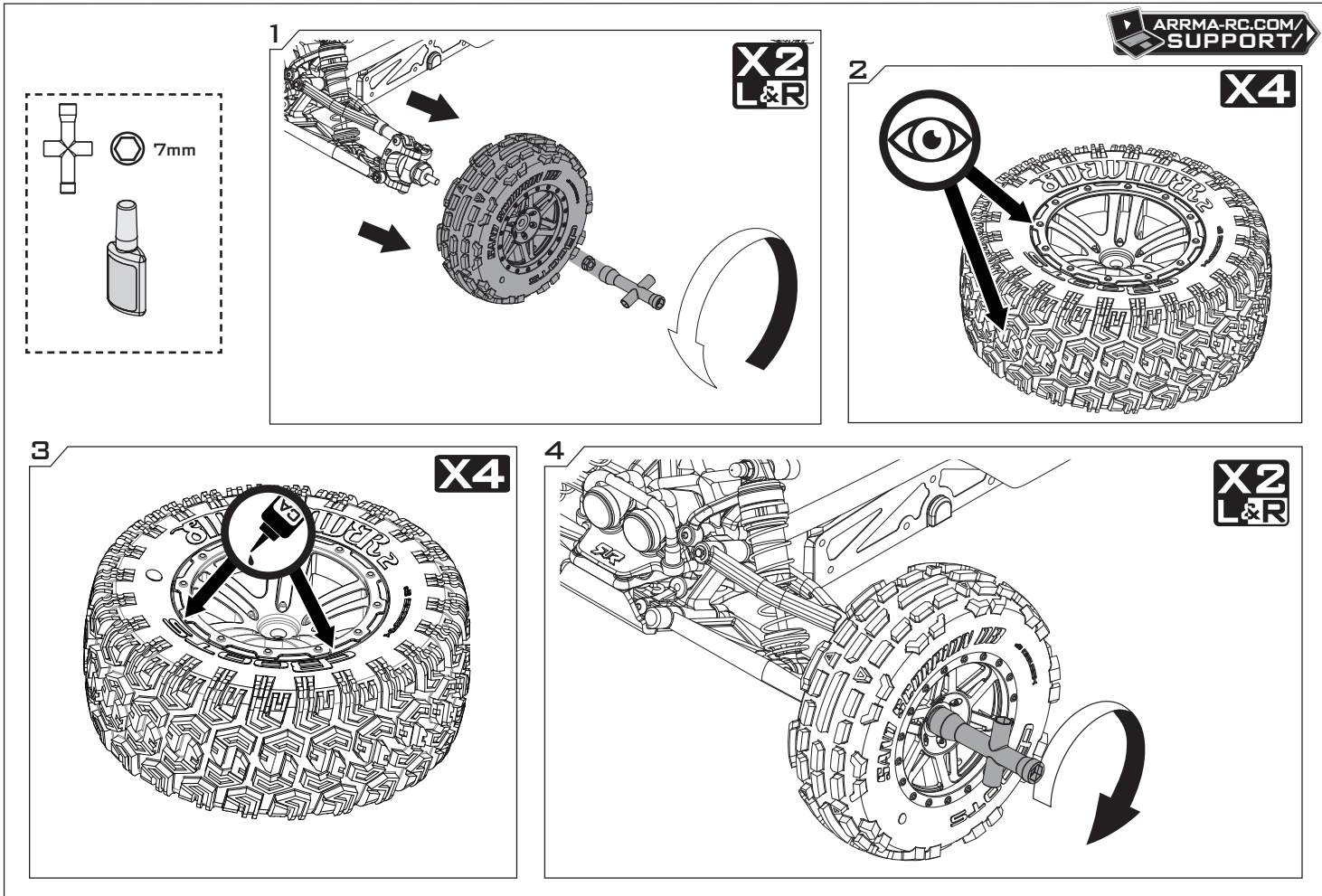
利用可能なオンラインビデオは、あなたがこのアイコンが表示されたとき

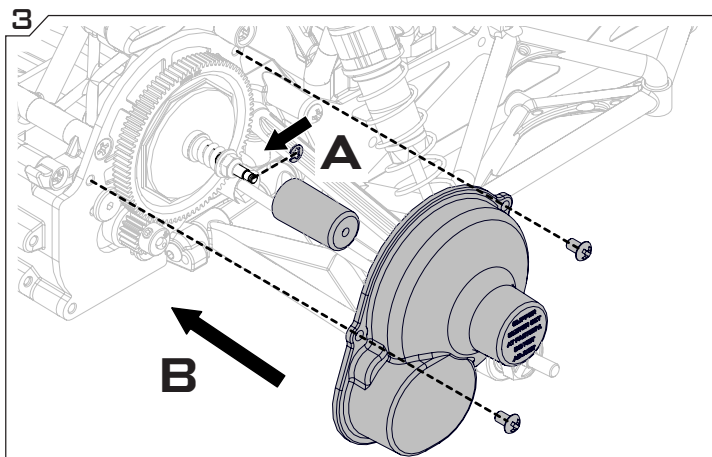
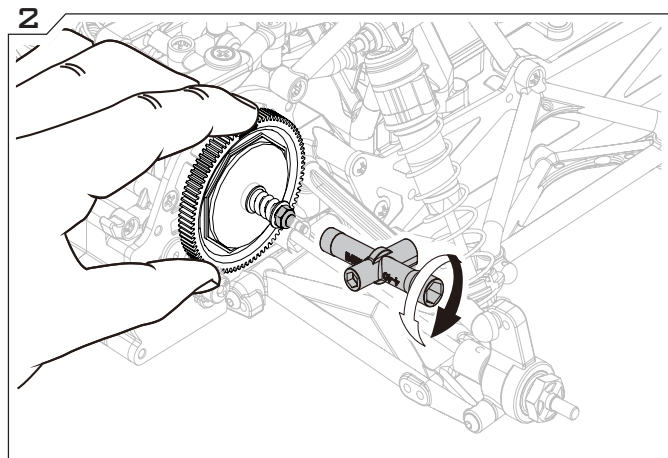
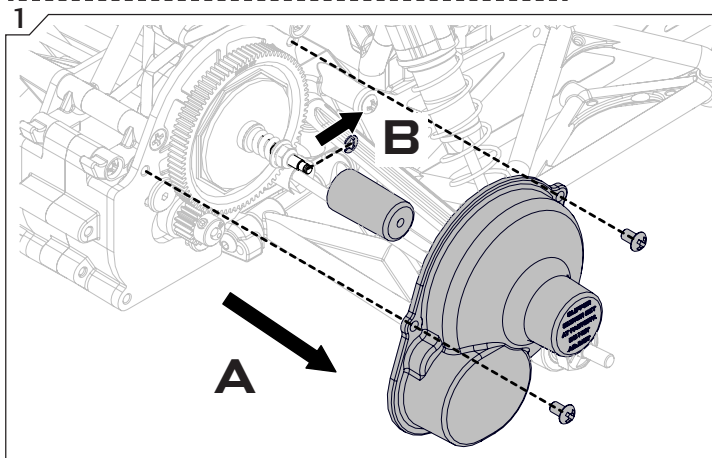
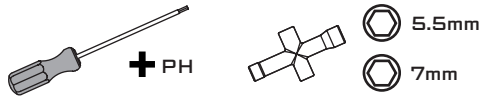
你看到的这个标志代表在线视频可用





Wheel and Tire Maintenance Wartung der Felgen und Reifen Entretien des Roues et pneus Mantenimiento de Ruedas y Neumáticos
 ホイールとタイヤのメンテナンス 车轮及轮胎维护





Factory Setting - Werkseinstellung - Réglage d'usine - Padrón - 出厂设置 - 出荷時設定

1. Fully tighten locknut clockwise.
1. Kontermutter festziehen im Uhrzeigersinn.
1. Serrer l'écrou complètement.
1. Apriete completamente contratuercas en sentido horario.
1. 完全锁紧螺母顺时针方向拧紧。
1. 完全にロックナットを時計回りに a 締め

2. Loosen 3 turns.
2. Rückgängig 3 Umdrehungen.
2. Desserrez les 3 tours.
2. Afloje 3 turnos.
2. 松开 3 圈。
2. 3 ターンを緩めます。



WARNING: A loose slipper will damage the friction pads. If the slipper is too tight it may damage the transmission.



ACHTUNG: EINE ZU OFFEN EINGESTELLTE RUTSCHKUPPLUNG WIRD DIE KUPPLUNGSBELÄGE BESCHÄDIGEN. EINE ZU GESCHLOSSENE EINSTELLUNG DER RUTSCHKUPPLUNG WIRD DEN ANTRIEBSSTRANG BESCHÄDIGEN.



AVERTISSEMENT: UN RÉGLAGE DU SLIPPER LÂCHE ENDOMMAGERA LES GARNITURES DE FRICTION. SI LE SLIPPER EST TROP SERRÉ, IL PEUT ENDOMMAGER LA TRANSMISSION.

ATENCIÓN: UN SLIPPER FLOJO DAÑARÁ LAS ZAPATAS DEL FRICCIÓN. SI EL SLIPPER ESTÁ DEMASIADO APRETADO PUEDE DAÑAR LA TRANSMISIÓN.

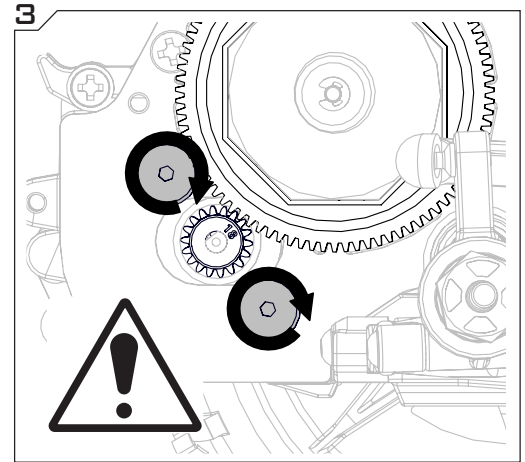
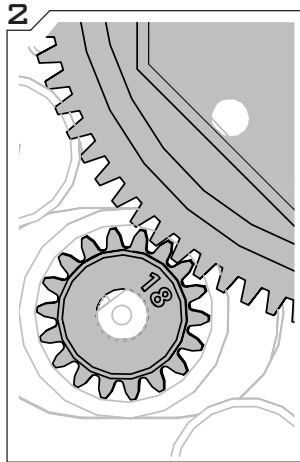
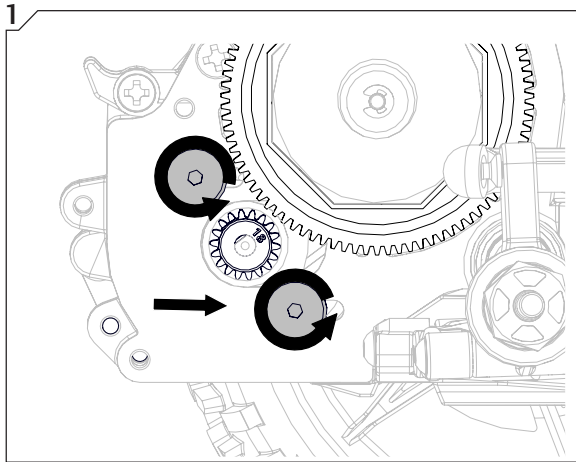
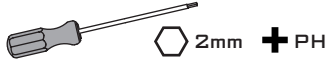


警告：緩いスリッパが摩擦パッドが破損します。スリッパがきつすぎる場合は、送信を損傷することがあります。

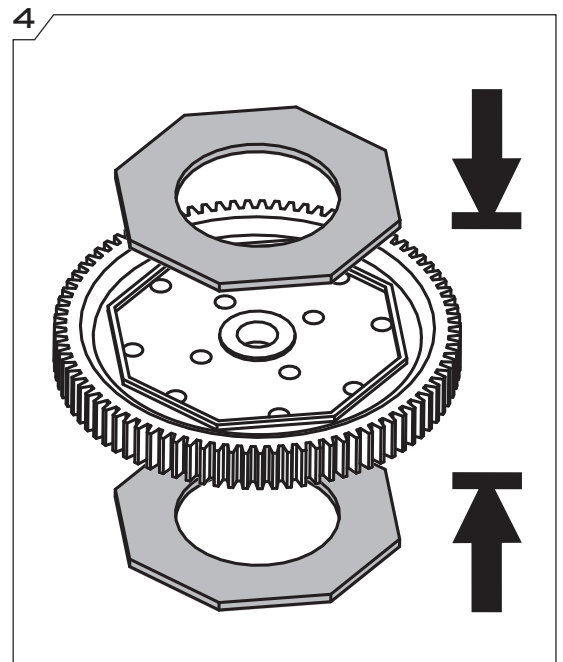
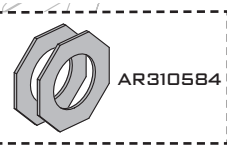
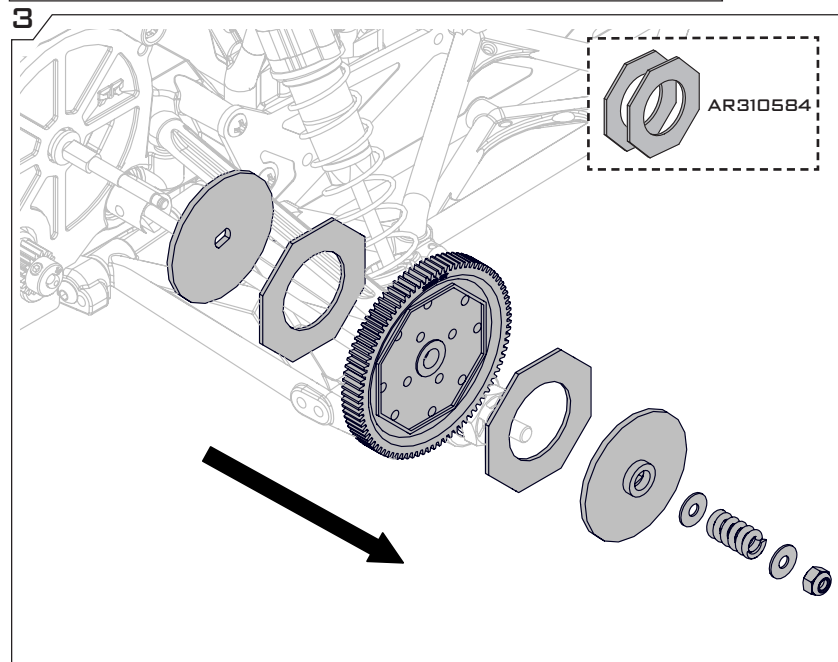
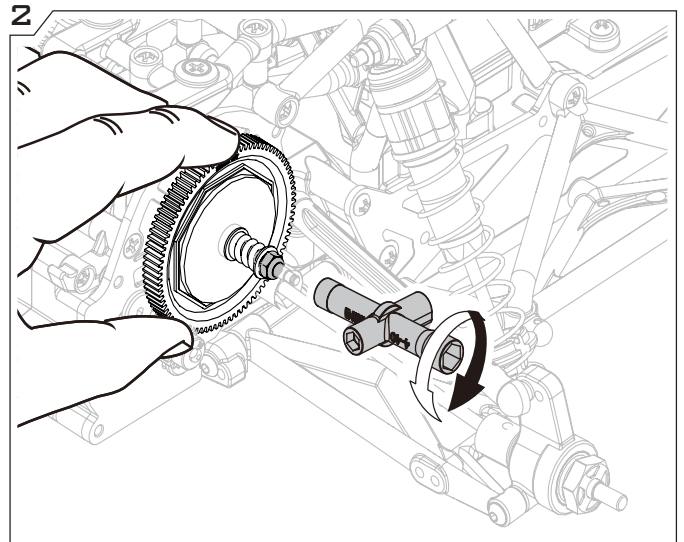
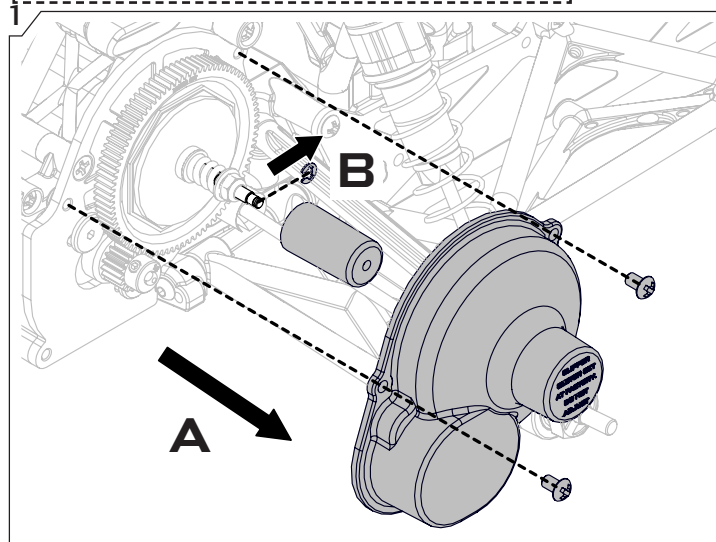
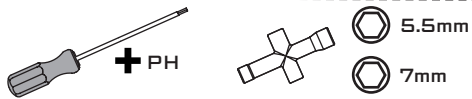


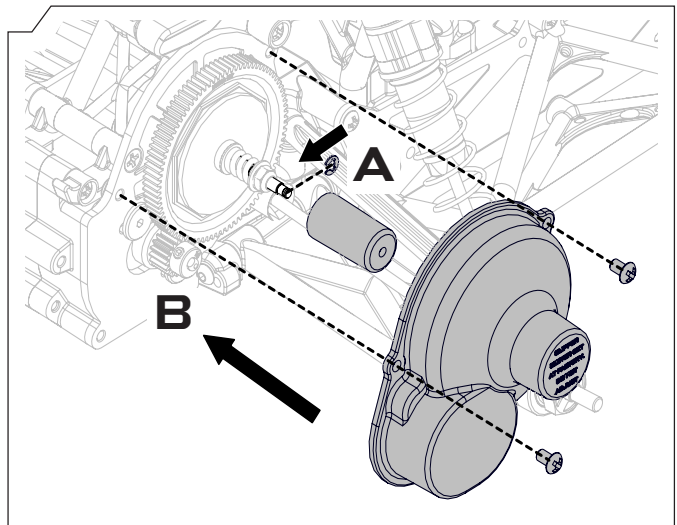
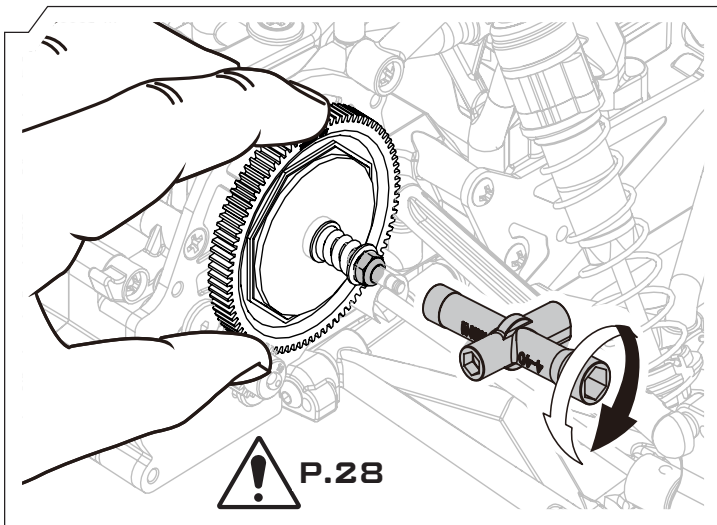
警告：松的限滑会损坏摩擦垫片。太紧的限滑会损坏传动。



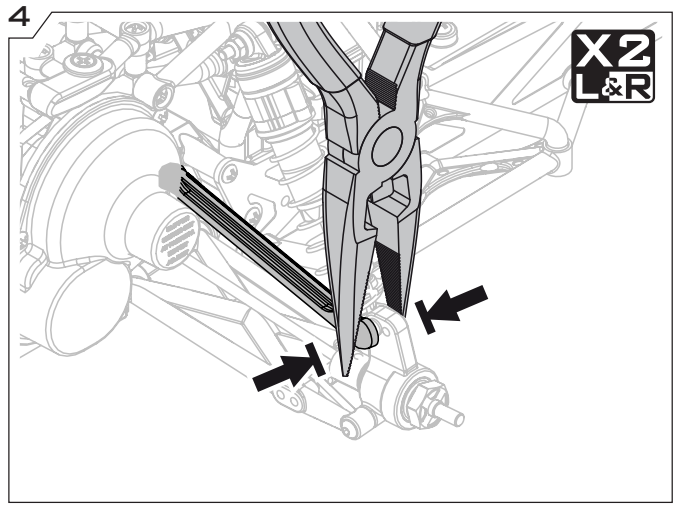
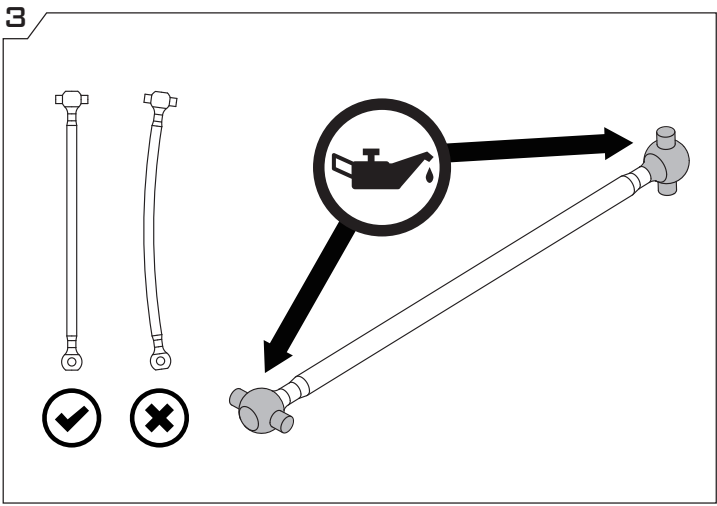
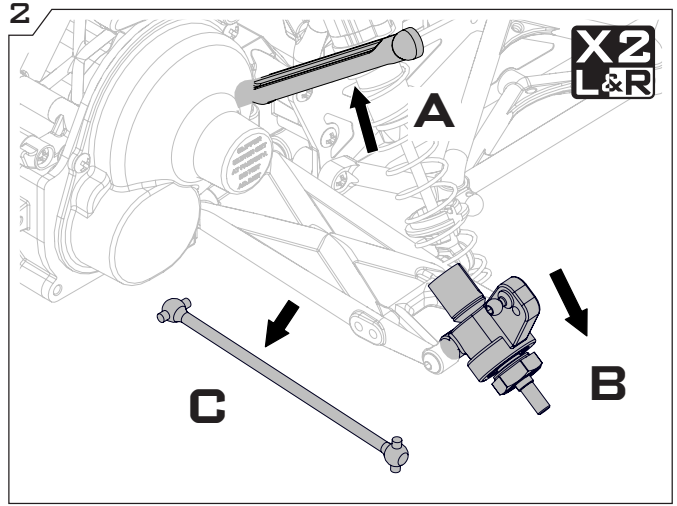
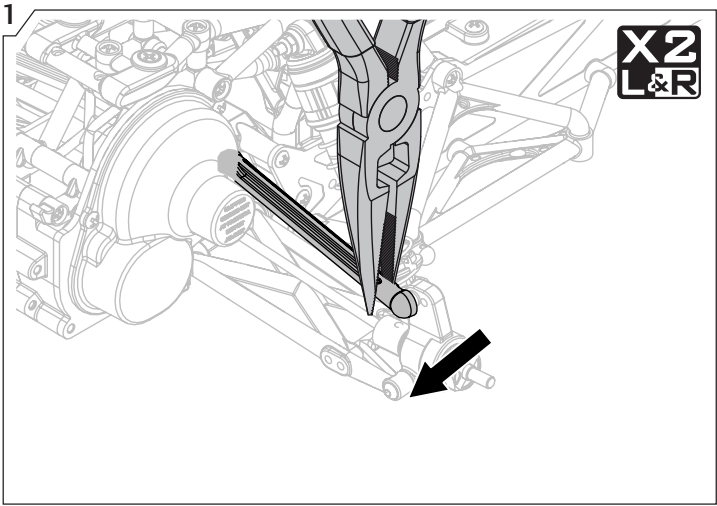
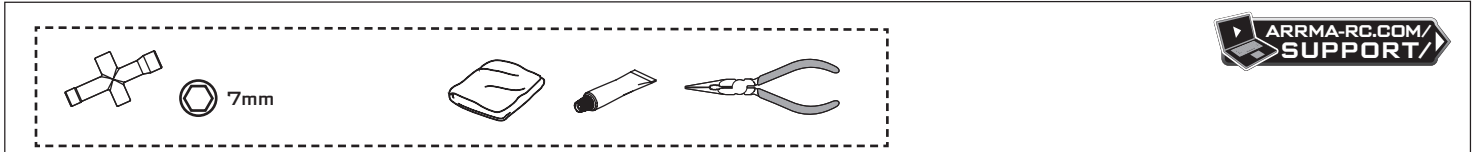


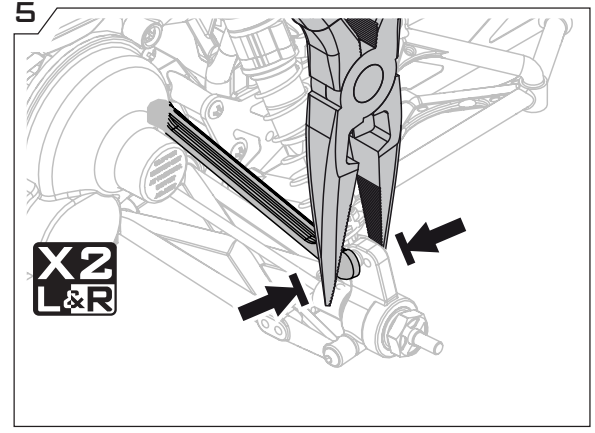
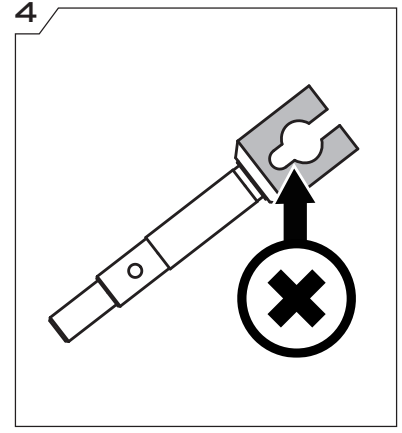
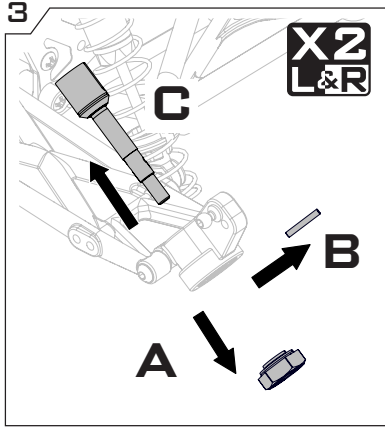
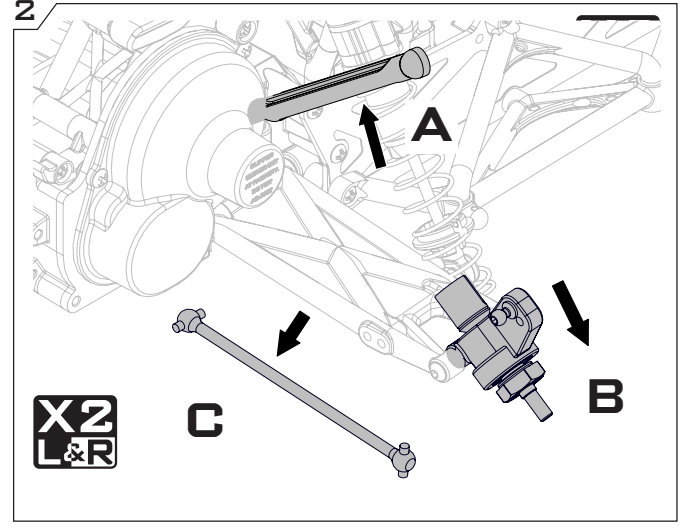
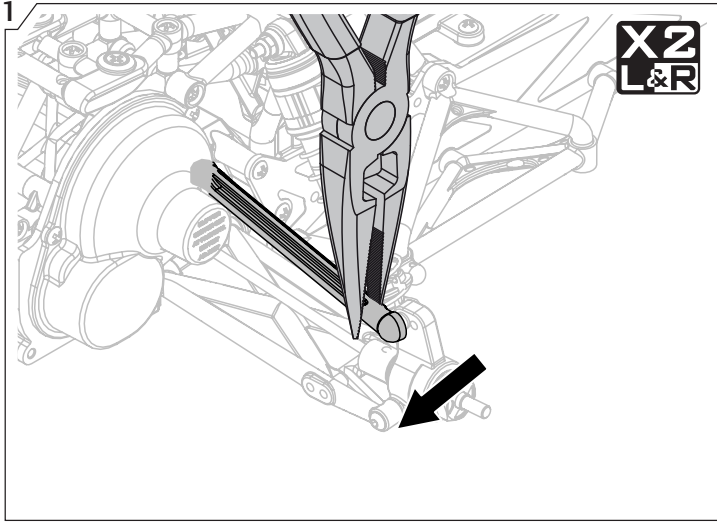
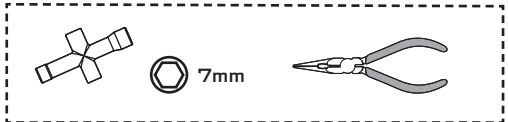
Slipper Pad Replacement Austausch der Kupplungsbeläge Remplacement des garnitures de Slipper
 Sustitución de las Zapatas del Slipper スリッパッドの交換 限滑垫片替换



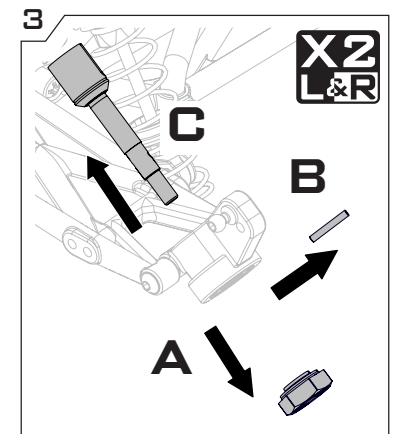
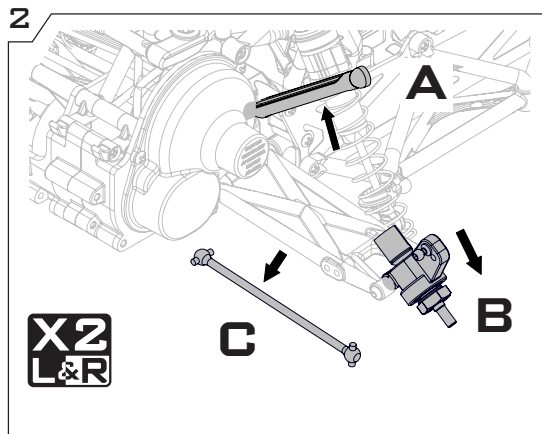
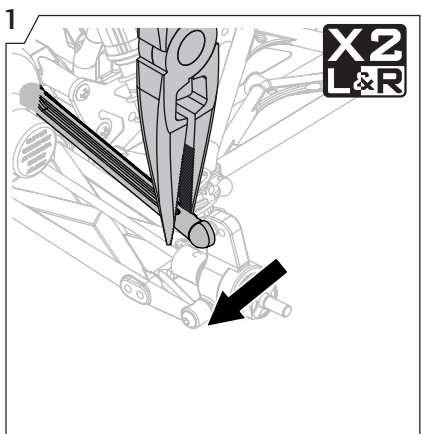
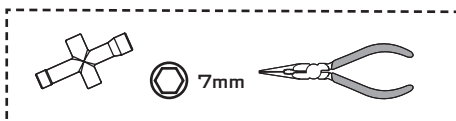


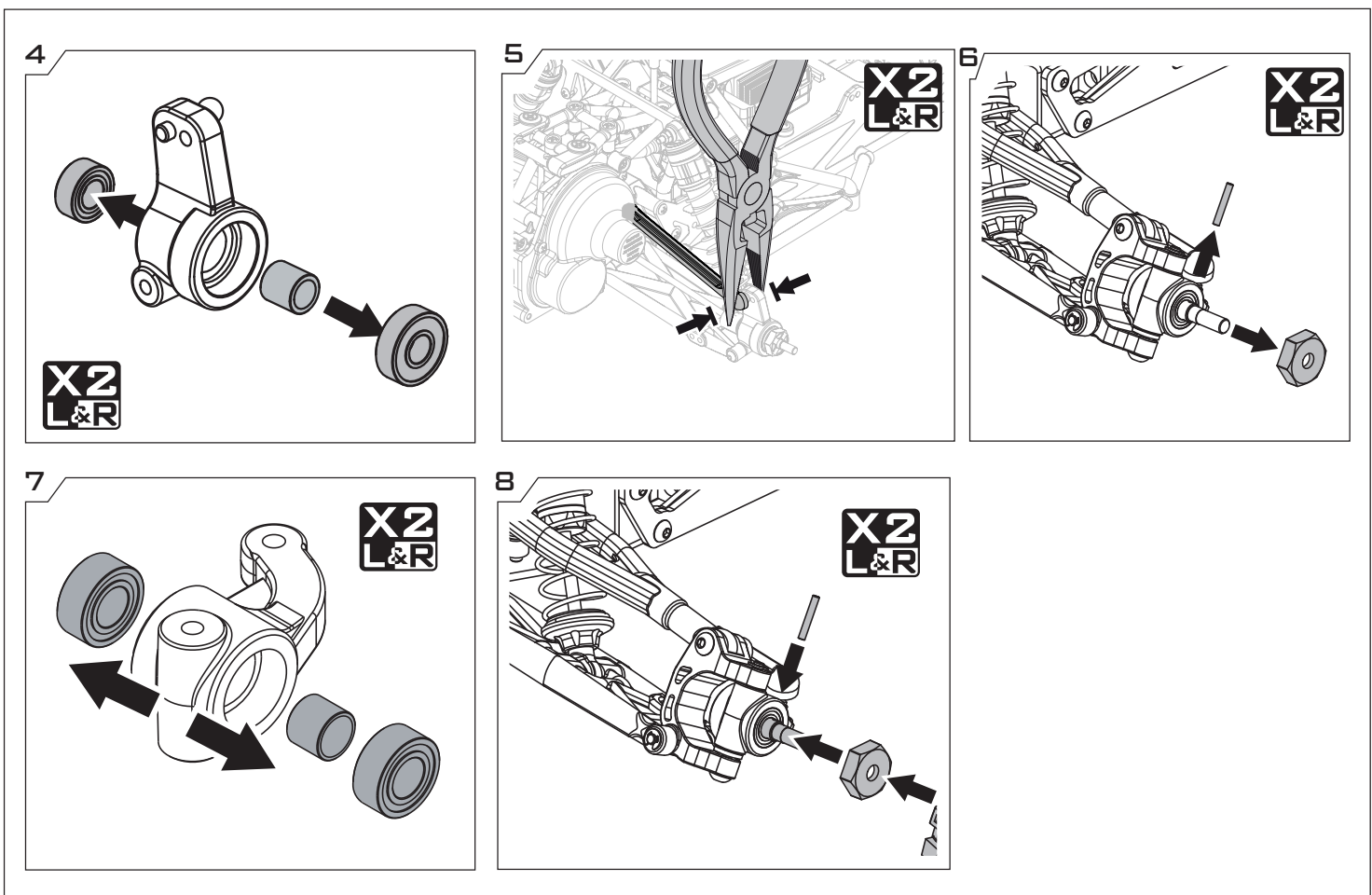
Driveshaft Maintenance Wartung des Antriebsstranges Entretien de l'arbre de transmission
 Mantenimiento de Palieres ドライブシャフトのメンテナンス 驱动轴维护



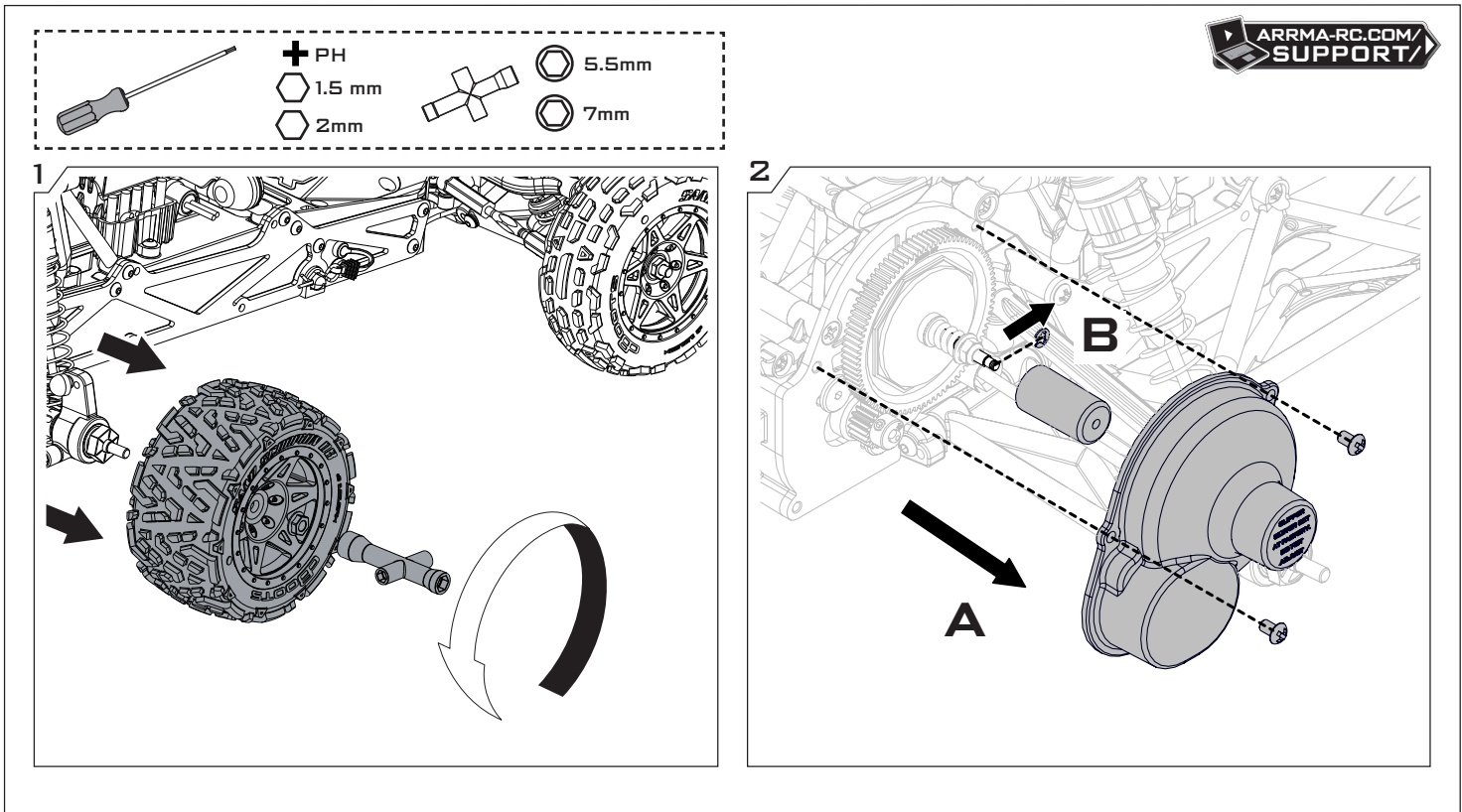


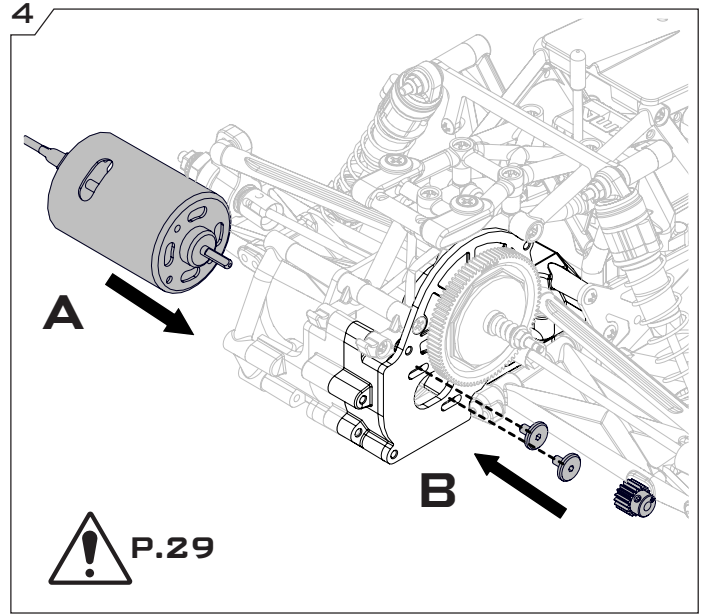
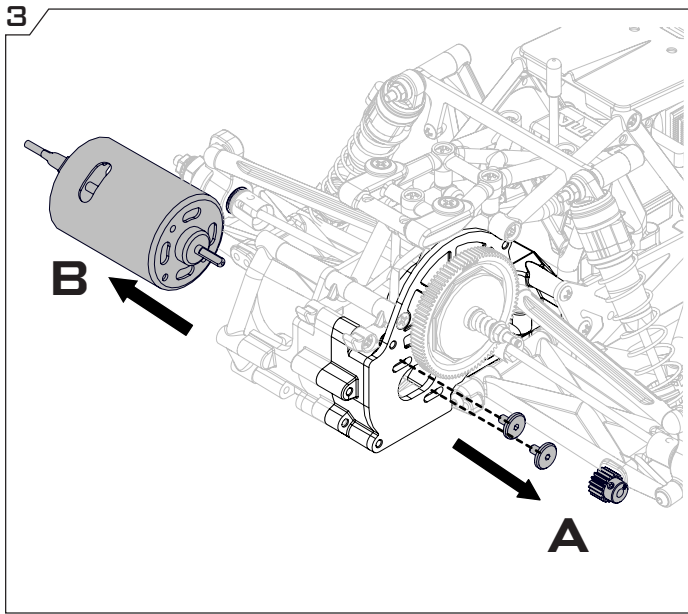
Wheel Bearing Replacement Austausch der Radlager Changement d'un roulement de roue
 Sustitución de Rodamientos de Rueda ホイールベアリングの交換 马达移除





Motor Removal Ausbau des Motors Dépose du moteur Desmontaje del Motor モーターの取り外し 差速器移除和替换

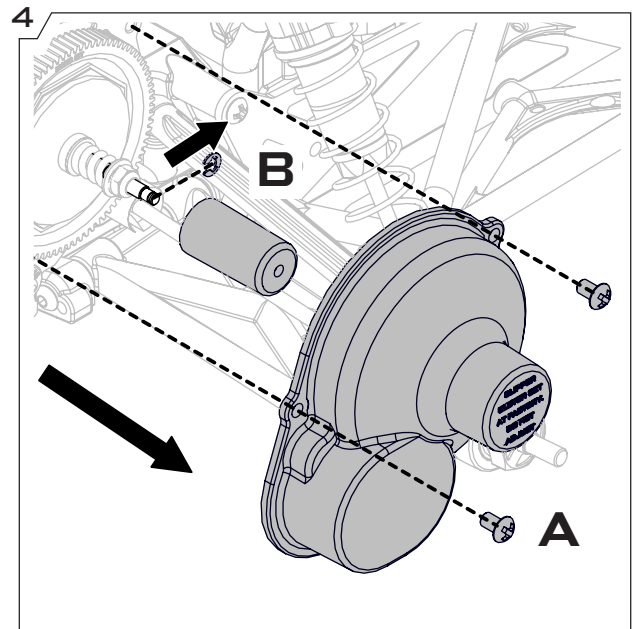
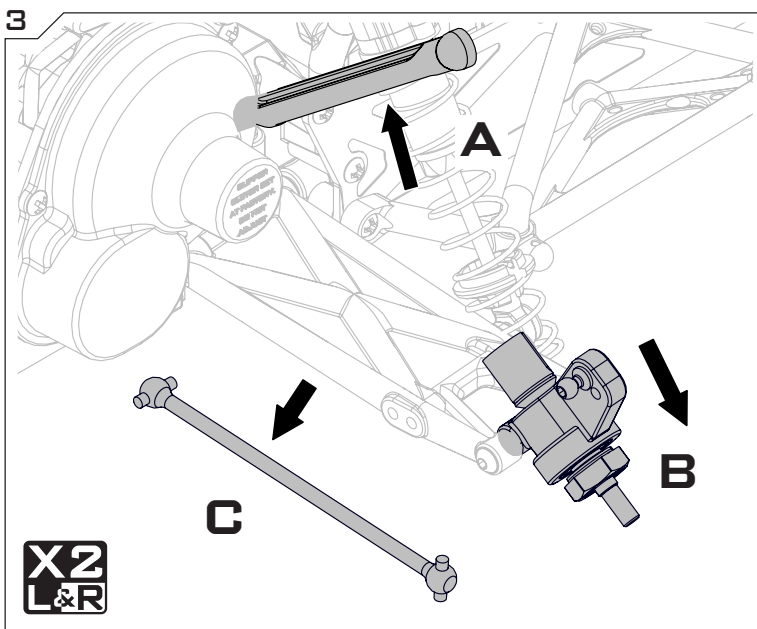
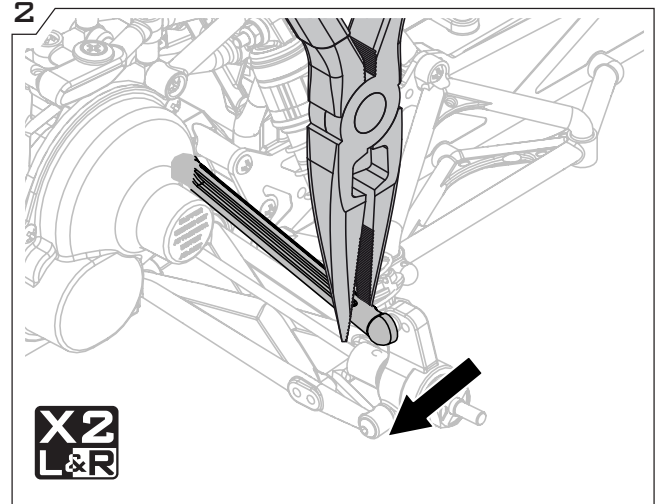
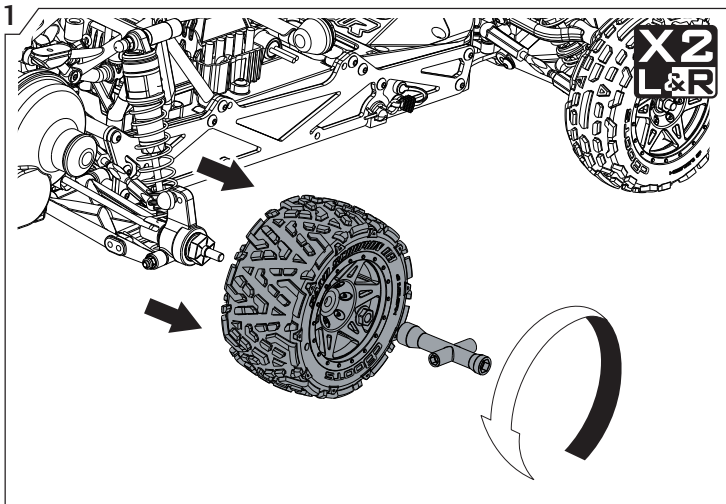
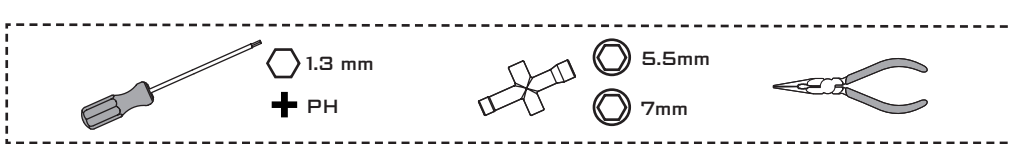


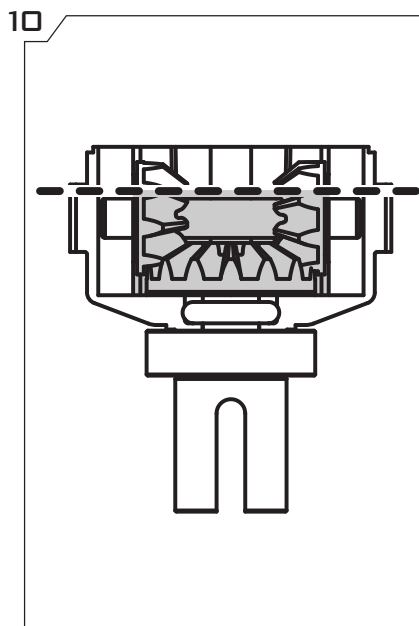
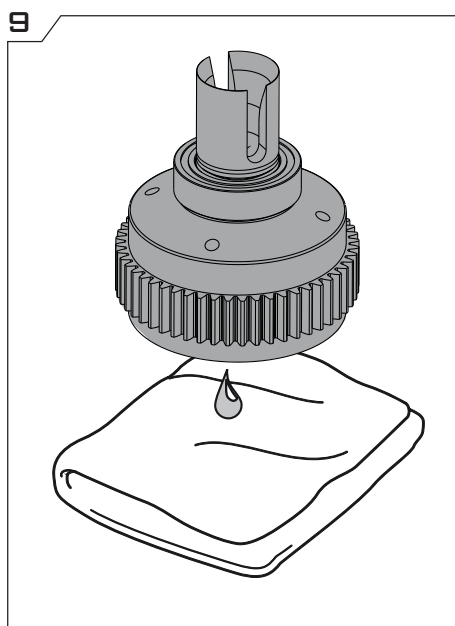
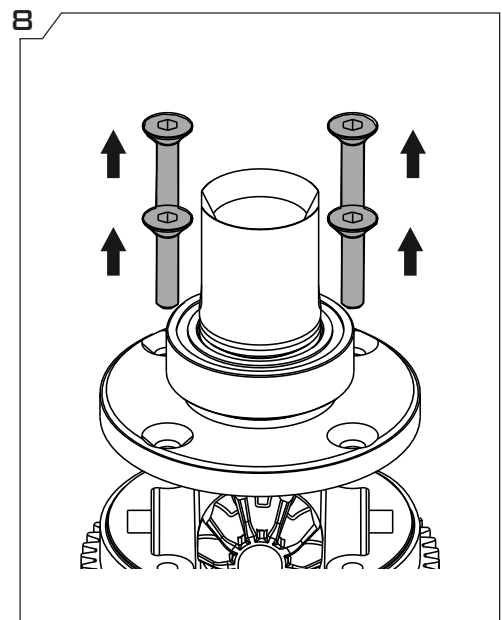
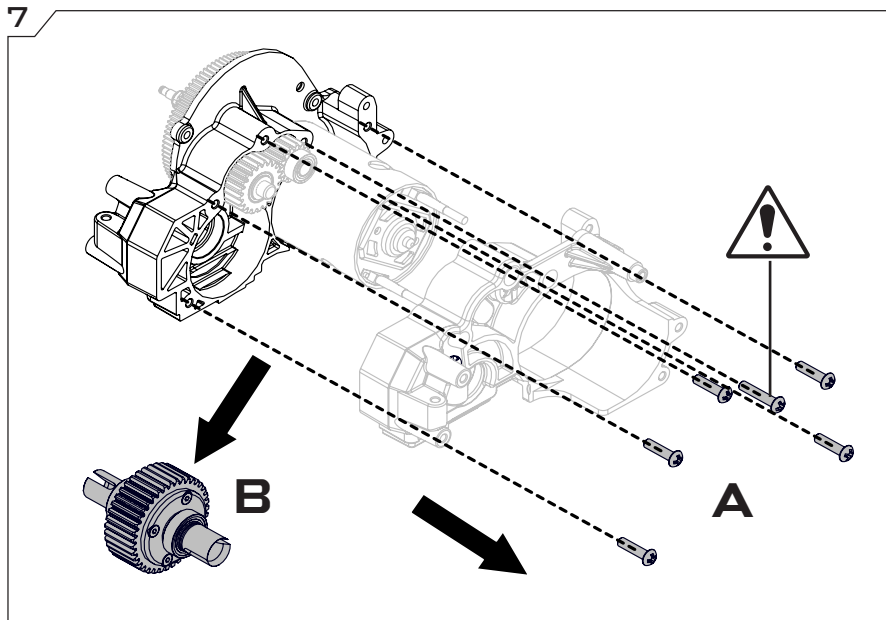
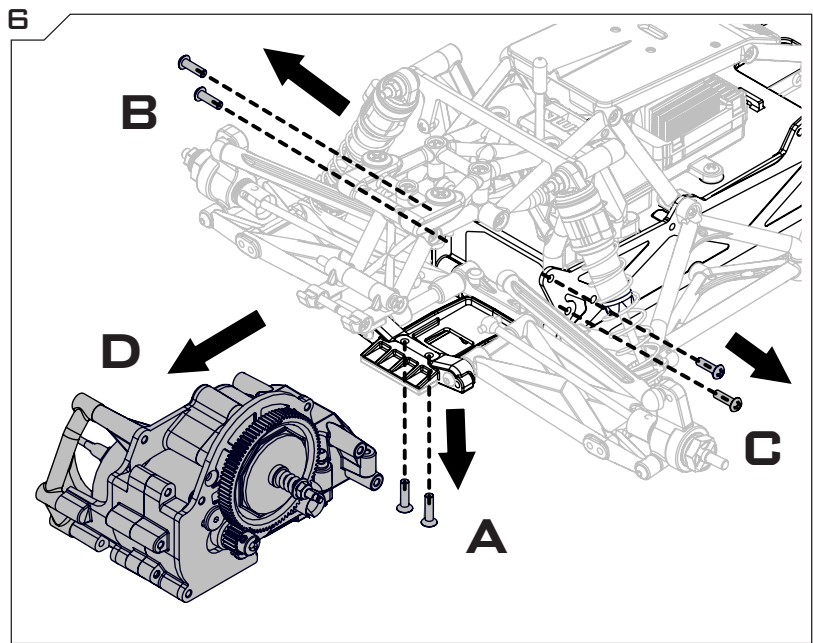
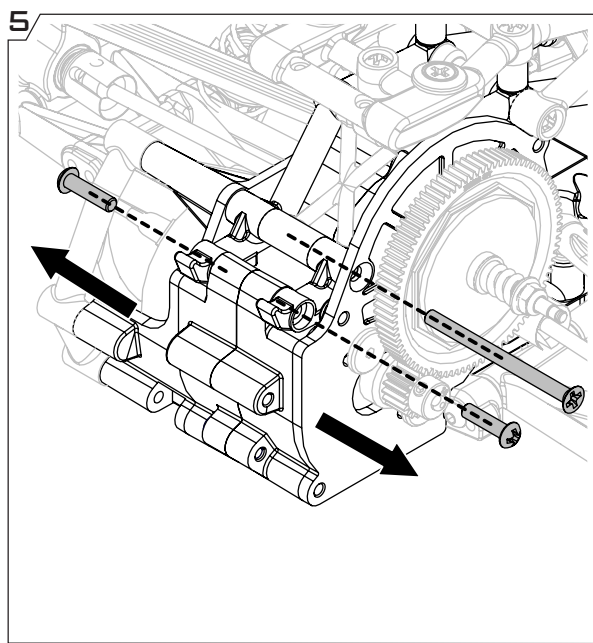


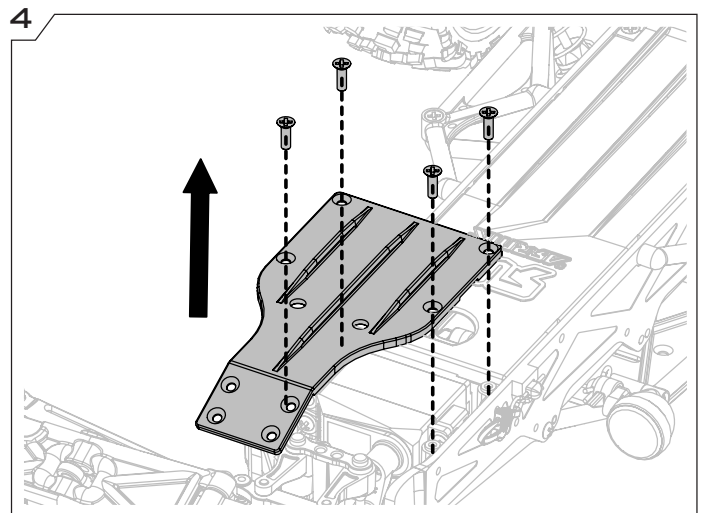
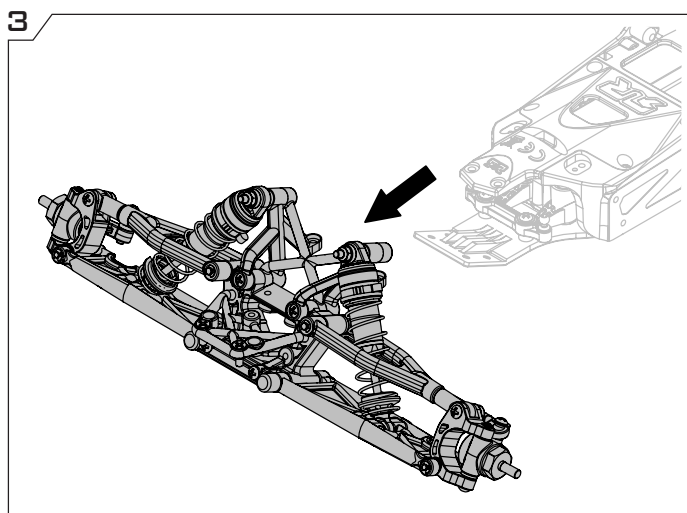
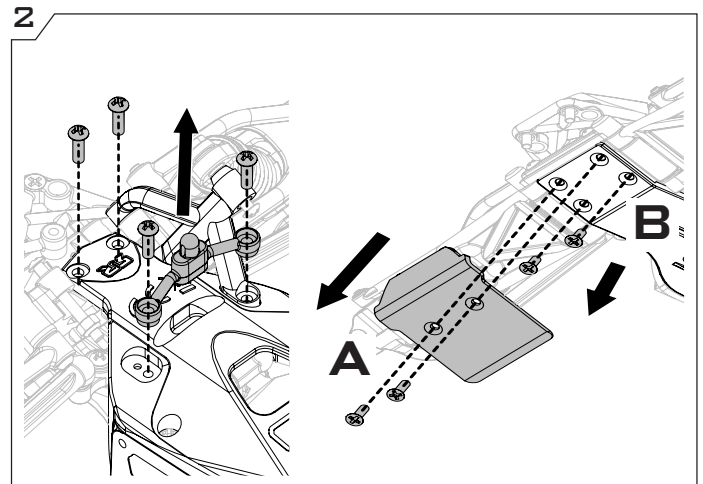
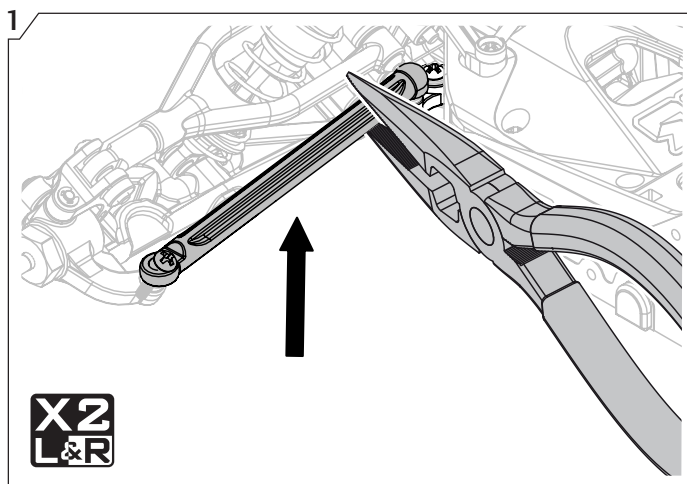
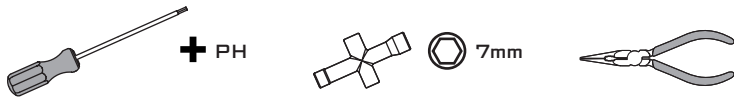
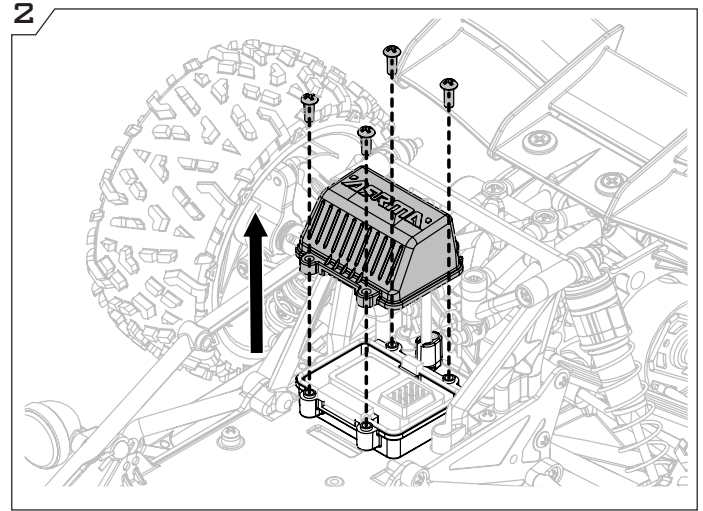
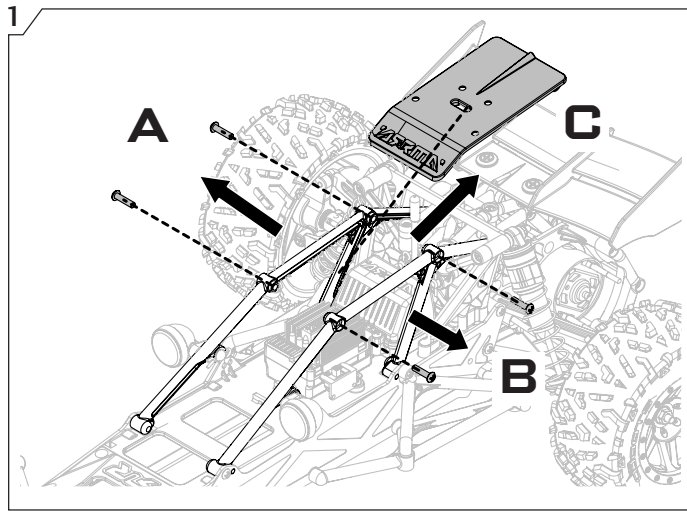
Differential Removal and Replacement
Desmontaje y Sustitución del Diferencial

Ausbau und Tausch des Differentials
差動取り外しおよび取り付け

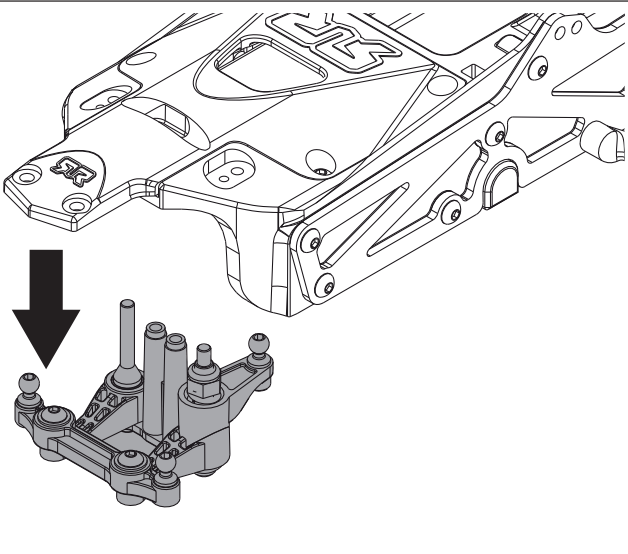
Dépose et remplacement du différentiel
接收机口



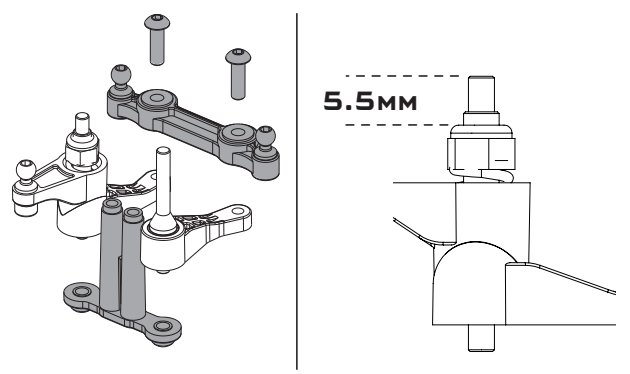




5



6



Servo Removal

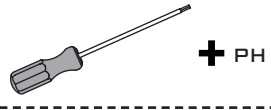
Ausbau des Servos

Dépose du Servo

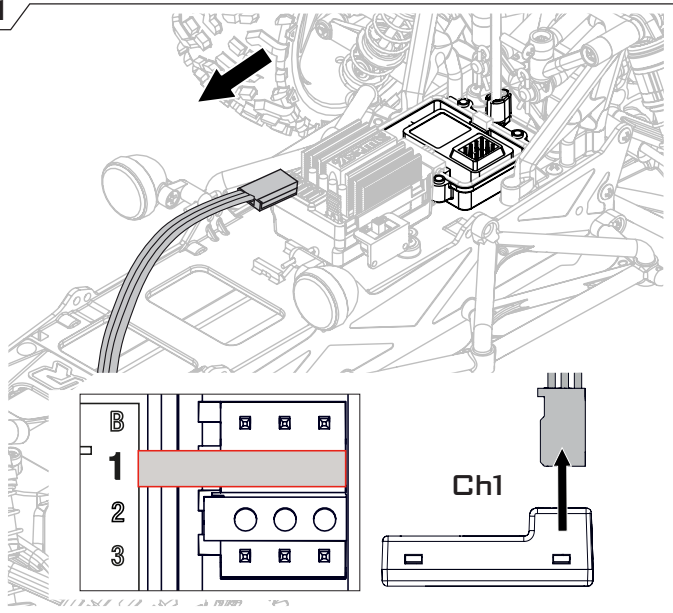
Desmontaje del Servo

サーボの取り外し

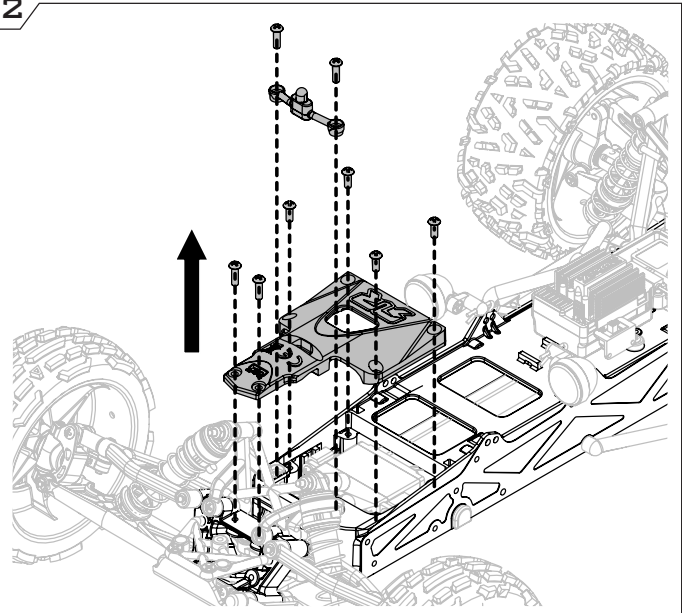
舵機移除



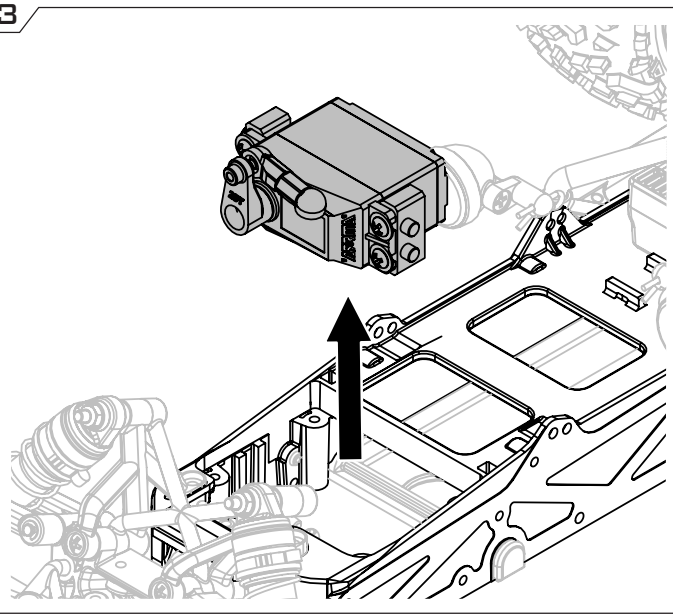
1



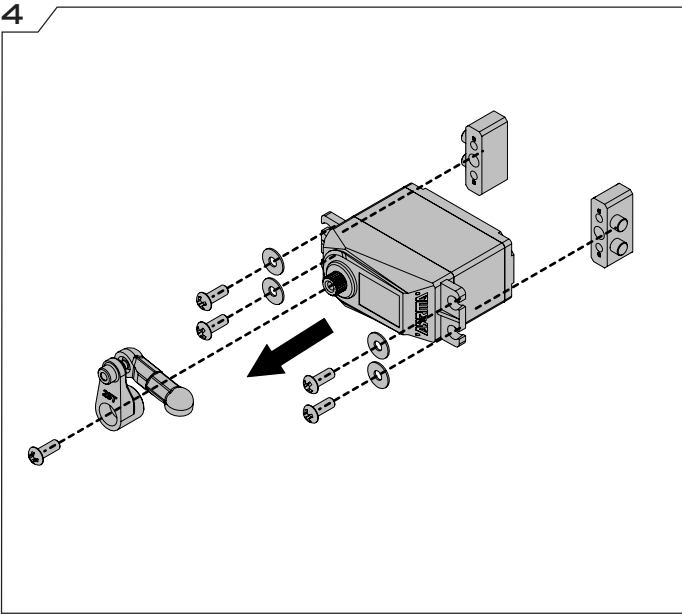
2



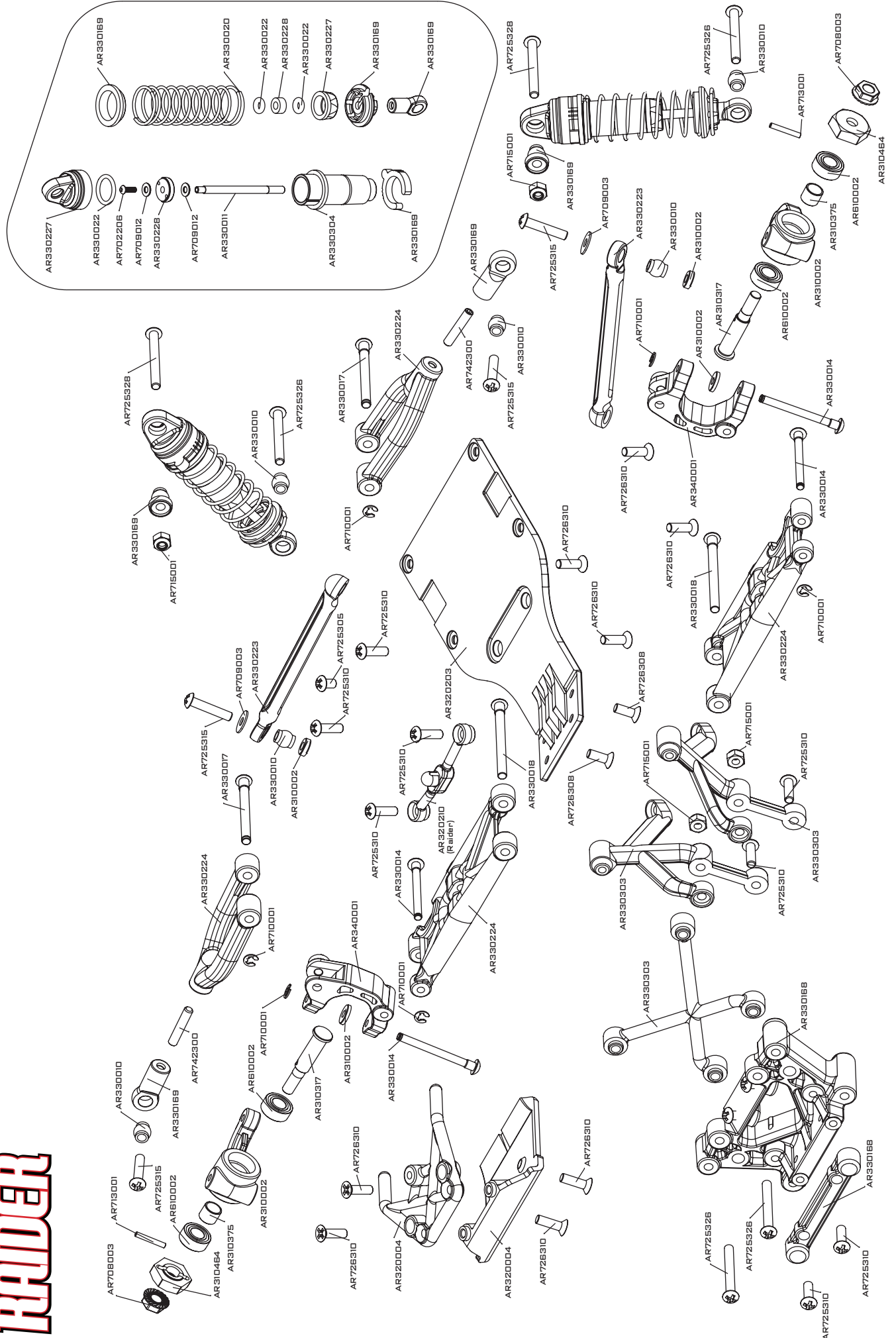
3



4

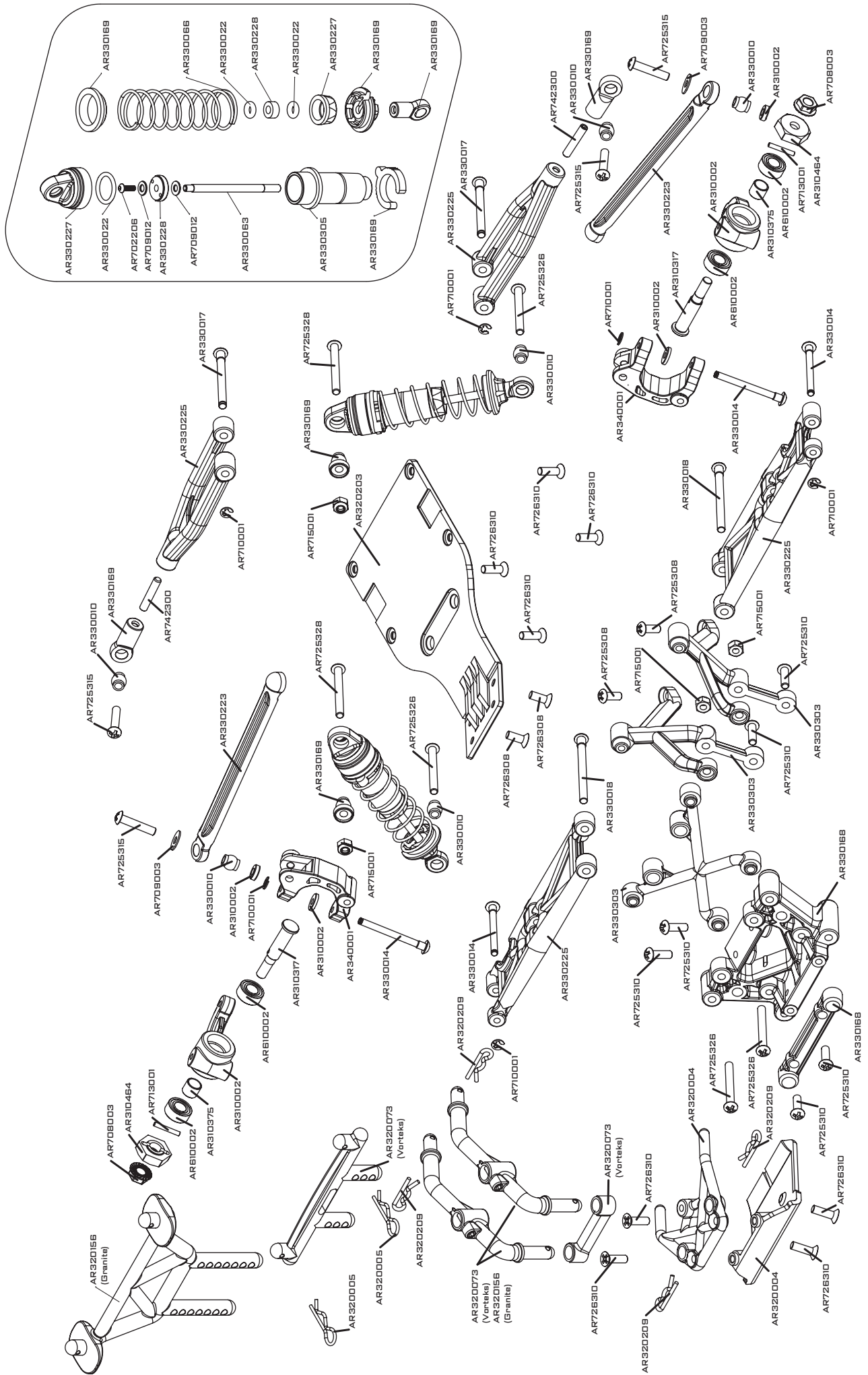


FRONT VORNE AVANT DELANTERO フロント 前

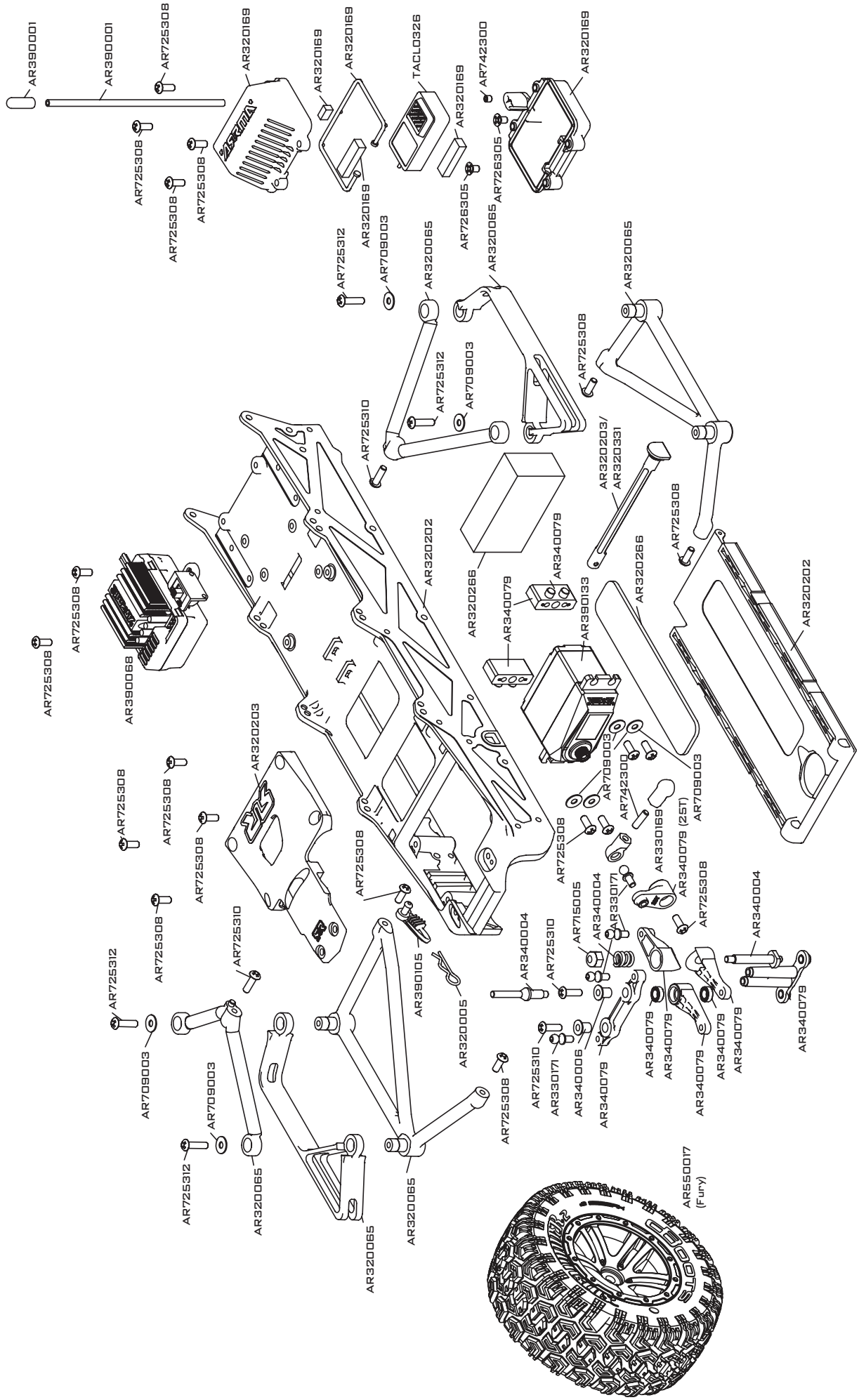


FRONT VORNE AVANT DELANTERO フロント 前

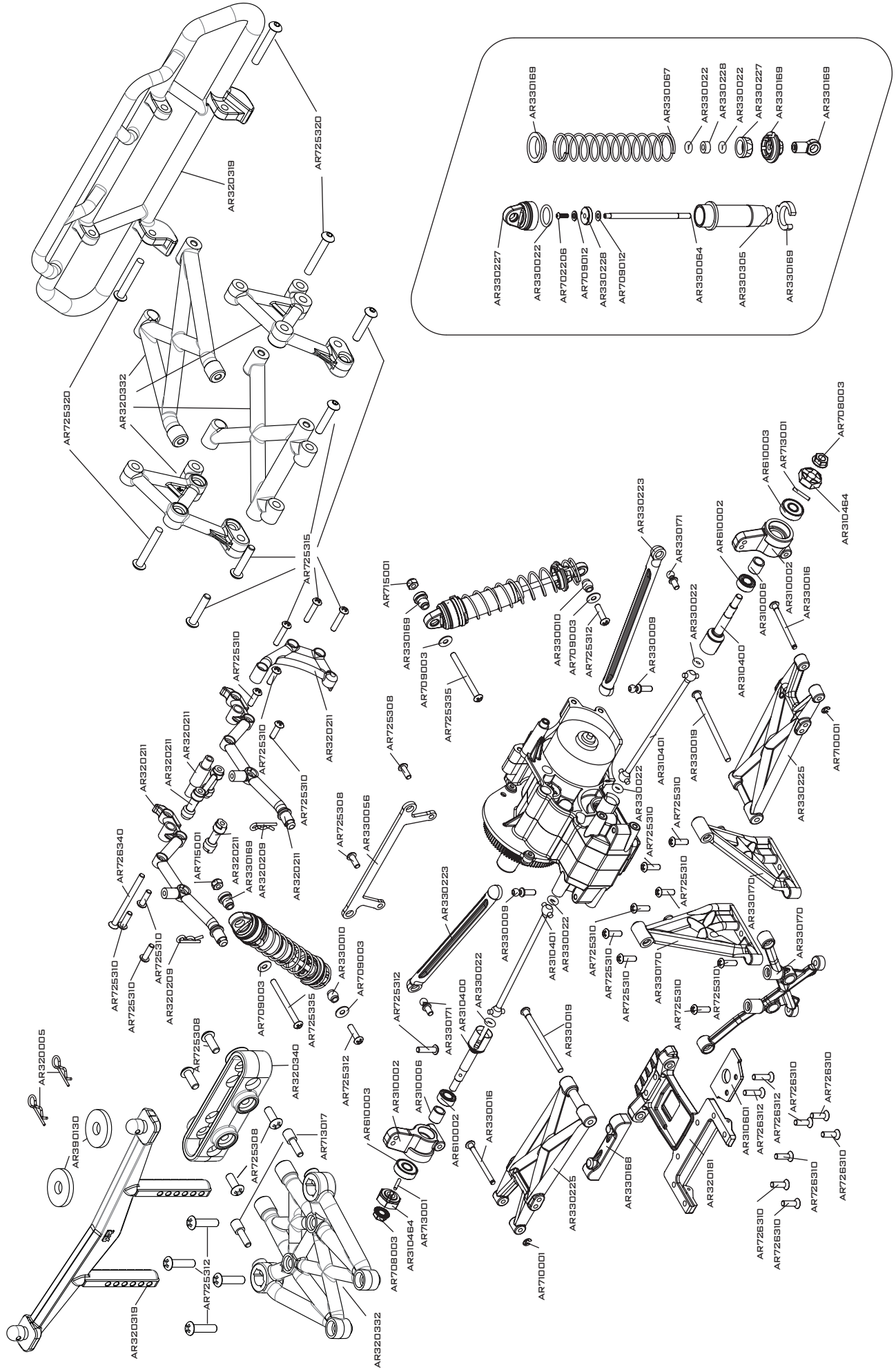
GRANITE **VORIEKS**



CENTRE CENTER CENTRO センター 中心



REAR HINTEN ARRIÈRE TRASERO リア 后





DECLARATION OF CONFORMITY



We ARRMA Durango Ltd. (part of the Hobbico group of companies), Suite 3, Enterprise Glade, Moira, Derbyshire, DE12 6BA, UK. declare under our own responsibility that the products TACTIC TTX300 2.4Ghz radio remote control transmitter and TACTIC TR326 2.4Ghz radio remote control receiver to which this declaration refers conforms with the relevant standards and other standardising documents including:

RADIO EQUIPMENT AND TELECOMMUNICATIONS TERMINAL EQUIPMENT: 1999/5/EC	
ETSI EN 300 328 V1.8.1 (2012-6)	Electromagnetic compatibility and Radio spectrum Matters (ERM); Wideband Transmission Systems; Data transmission equipment operating in the 2,4 GHz ISM band and using wide band modulation techniques; Test Report form for testing to EN 300 328 (V1.6.1) covering essential requirements of article 3.2 of the R&TTE Directive
ETSI EN 300 440-2 V1.4.1 (2010-08)	Electromagnetic compatibility and Radio spectrum Matters (ERM); Short range devices; Radio equipment to be used in the 1 GHz to 40 GHz frequency range; Part 2: Harmonized EN covering the essential requirements of article 3.2 of the R&TTE Directive
ELECTROMAGNETIC COMPATIBILITY DIRECTIVE: 2004/108/EC	
ETSI EN 300 440-1 V1.6.1 (2010-08)	Electromagnetic compatibility and Radio spectrum Matters (ERM); Short range devices; Radio equipment to be used in the 1 GHz to 40GHz frequency range
ETSI EN 301 489-1 V1.9.2 (2011-09)	Electromagnetic compatibility and Radio spectrum Matters (ERM); ElectroMagnetic Compatibility (EMC) standard for radio equipment and services.
ETSI EN 301 489-3 V1.6.1 (2013-08)	Electromagnetic compatibility and Radio spectrum Matters (ERM); ElectroMagnetic Compatibility (EMC) standard for radio equipment and services; Part 3: Specific conditions for Short-Range Devices (SRD) operating on frequencies between 9 kHz and 246 GHz
ETSI EN 301 489-17 V2.2.1 (2012-09)	Electromagnetic compatibility and Radio spectrum Matters (ERM); ElectroMagnetic Compatibility (EMC) standard for radio equipment and services; Part 17: Specific conditions for Broadband Data Transmission Systems
Low VOLTAGE DIRECTIVE: 2006/95/EC	
EN 60950-1: 2006+A1 1:2009+A1+A1:2010 +A12:2011	Information technology equipment. Safety. General requirements

AT	BE	CY	CZ
HR	DK	EE	FI
FR	DE	GR	HU
IE	IT	LV	LT
LU	MT	NL	PL
PT	SK	SI	ES
SE	GB	IS	LI
NO	CH	BG	RO
TR			

Device Class:
Class 1

Technical file held by:
ARRMA Durango Ltd.

This declaration is void upon unauthorized modification of the item.

Moira, UK 13/05/2015 **JASON DEARDEN**
Managing Director

ARRMA Durango Ltd. (Teil der Hobbico Firmengruppe), Suite 3, Enterprise Glade, Moira, Derbyshire, DE12 6BA, UK. erklärt hierdurch, dass nachfolgende Artikel bei bestimmungsgemäßer Verwendung den einschlägigen Bestimmungen der EG-Richtlinien entsprechen. Erklärt, dass das Produkt: TACTIC TTX300 2.4Ghz Funkfernbedienung Sender and TACTIC TR326 2.4Ghz Funkfernbedienung Empfänger den grundlegenden Anforderungen des §3 und den übrigen einschlägigen Bestimmungen des FTEG (Artikel 3 der R&TTE) entspricht. Angewandte harmonisierte Normen:

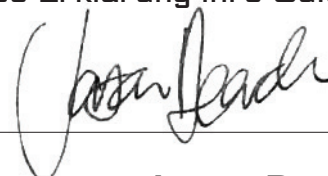
GESETZ ÜBER FUNKANLAGEN UND TELEKOMUNIKATIONSEINRICHTUNGEN (FTEG) UND DER RICHTLINIE 1999/5/EG (R&TTE)	
ETSI EN 300 328 V1.8.1 (2012-6)	Elektromagnetische Verträglichkeit und Funkspektrumangelegenheiten (ERM) - Breitband-Übertragungssysteme - Datenübertragungsgeräte, die im 2,4-GHz-ISM-Band arbeiten und Bandspreiz-Modulationstechniken verwenden - Harmonisierte EN, die wesentliche Anforderungen nach Artikel 3.2 der R&TTE-Richtlinie enthält
ETSI EN 300 440-2 V1.4.1 (2010-08)	Elektromagnetische Verträglichkeit und Funkspektrumangelegenheiten (ERM) — Funkanlagen mit geringer Reichweite — Funkgeräte zum Betrieb im Frequenzbereich von 1 GHz bis 40 GHz — Teil 2: Harmonisierte EN, die die wesentlichen Anforderungen nach Artikel 3.2 der R&TTE-Richtlinie enthält
ELEKTROMAGNETISCHE VERTRÄGLICHKEIT 2004/108/EG	
ETSI EN 300 440-1 V1.6.1 (2010-08)	Elektromagnetische Verträglichkeit und Funkspektrumangelegenheiten (ERM) — Funkanlagen mit geringer Reichweite — Funkgeräte zum Betrieb im Frequenzbereich von 1 GHz bis 40 GHz.
ETSI EN 301 489-1 V1.9.2 (2011-09)	Elektromagnetische Verträglichkeit und Funkspektrumangelegenheiten (ERM) — Elektromagnetische Verträglichkeit (EMV) für Funkeinrichtungen und -dienste.
ETSI EN 301 489-3 V1.6.1 (2013-08)	Elektromagnetische Verträglichkeit und Funkspektrumangelegenheiten (ERM); Elektromagnetische Verträglichkeit für Funkeinrichtungen und -dienste; Teil 3: Spezifische Bedingungen für Funkgeräte geringer Reichweite (SRD) für den Einsatz auf Frequenzen zwischen 9 kHz und 246 GHz
ETSI EN 301 489-17 V2.2.1 (2012-09)	Elektromagnetische Verträglichkeit und Funkspektrumangelegenheiten (ERM) — Elektromagnetische Verträglichkeit für Funkeinrichtungen und -dienste — Teil 17: Spezifische Bedingungen für Breitbandübertragungssysteme.
NIEDERSPANNUNGSRICHTLINIE (LVD): 2006/95/EC	
EN 60950-1: 2006+A1 1:2009+A1+A1:2010 +A12:2011	Einrichtungen der Informationstechnik — Sicherheit — Teil 1: Allgemeine Anforderungen

AT	BE	CY	CZ
HR	DK	EE	FI
FR	DE	GR	HU
IE	IT	LV	LT
LU	MT	NL	PL
PT	SK	SI	ES
SE	GB	IS	LI
NO	CH	BG	RO
TR			

Geräteklasse: 1

Technische Dokumentationen sind erhältlich bei:
 ARRMA Durango Ltd.

Bei unzulässiger Veränderung der Artikel
 verliert diese Erklärung ihre Gültigkeit.



Moira, UK 13/05/2015

JASON DEARDEN
 Geschäftsführer



Upgrade Parts Tuningteile Pièces de mise à niveau
Piezas Opcionales アップグレードパーツ 升级件

INCREASING FUN ZUNEHMENDE FUN ACCROÎTRE FUN EL AUMENTO DE DIVERSIÓN 增加楽しいです 增加乐趣

 2000 MAH 7.2V	+	 ADC-N6	=	 3 HRS	=	 7 MIN	
 4000 MAH 7.2V	+	 ADC-N6	=	 6 HRS	=	 10 MIN	
 8.4V 7 CELL 8.4V 2S LIPO	+	 OPT	=	 30 MIN	=	 13 MIN	

CUSTOMISE YOUR CAR

FERTIGEN SIE IHR AUTO

あなた の車をカスタマイズ

PERSONNALISEZ VOTRE VOITURE

自定义你的车

PERSONALIZA TU COCHE

AR340057 ALUMINIUM SERVO ARM 25T (RED)

AR220004 HD HINGE PIN SET

AR320204 ALUMINIUM LOWER PLATE (Silver) (1pc)

AR320157 ALUMINIUM FRONT HINGEPIN BRACE (RED)

AR320162 ALUMINIUM REAR TOWER BRACE (RED)

AR330148 ALUMINIUM FRONT TOWER BRACE (RED)

AR320165 WHEELIE BAR SET

AR320199 - SWB
AR320200 - LWB
ALUMINIUM TVP CHASSIS PLATE (Silver) (2pc)

MAXIMISE YOUR SPEED

MAXIMIEREN SIE IHRE GESCHWINDIGKEIT

あなたの速度を最大限に活用

OPTIMISEZ VOTRE VITESSE

最大限度地提高你的速度

MAXIMICE SU VELOCIDAD

11.1V 3S LIPO = **BLX**

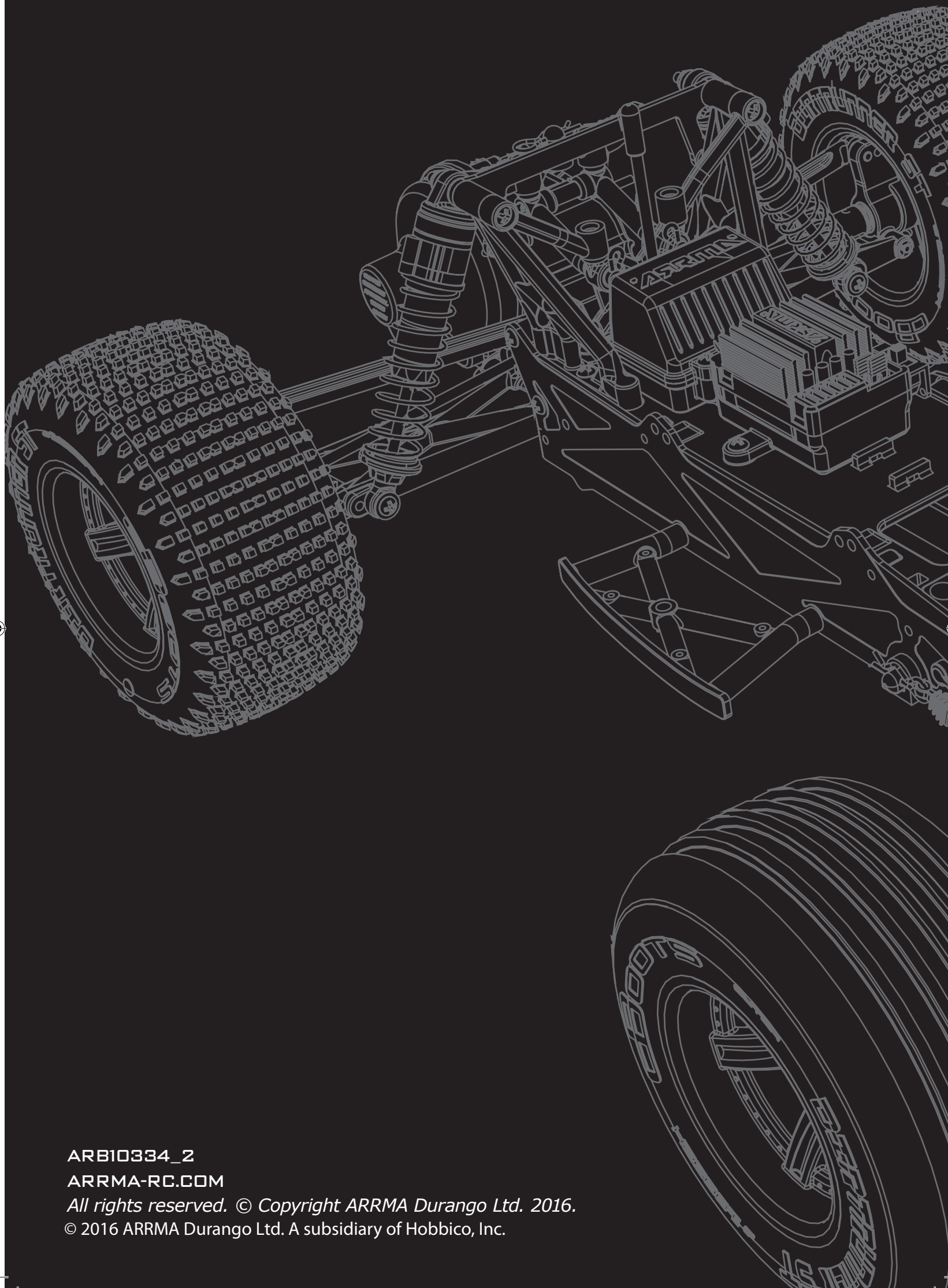
Required Benötigt Requis Requeridos 必要な 要求

AR310001	48P GEARBOX SET (METAL MOTOR PLATE)
AR310016	20T METAL IDLER GEAR
AR310416	48P METAL GEAR SET
AR310599	INPUT SHAFT 59mm (METAL MOTORPLATE GEARBOX)
AR320007	MOTOR MOUNT
AR320009	OPEN SPUR GEAR COVER
AR721315	BUTTON HEAD HEX MACHINE SCREW M3x15mm (10pcs)
AR390060	BLX 3600KV BRUSHLESS 540 3S 4 POLE MOTOR
AR390061	BLX80 BRUSHLESS 3S ESC
***	3S 11.1V LIPO BATTERY PACK 4000 MAH 25C
***	LIPO COMPATIBLE CHARGER

60+
MPH*

*95km/h. Speed achievable in optimum conditions on 3S LiPo with optional pinion gear.





ARB10334_2

ARRMA-RC.COM

All rights reserved. © Copyright ARRMA Durango Ltd. 2016.

© 2016 ARRMA Durango Ltd. A subsidiary of Hobbico, Inc.