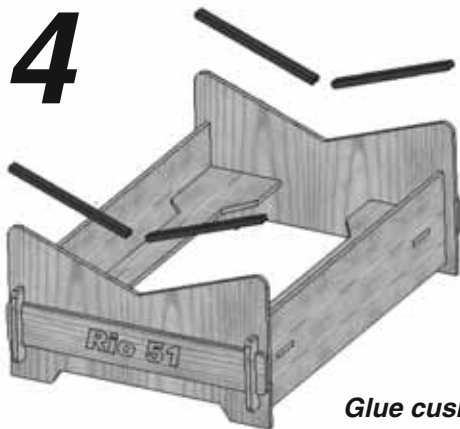
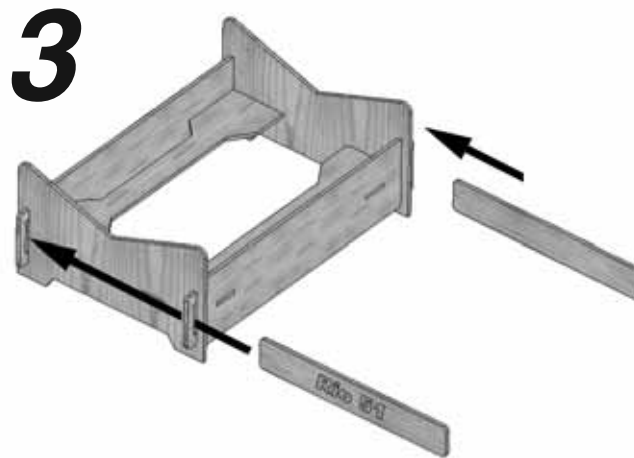
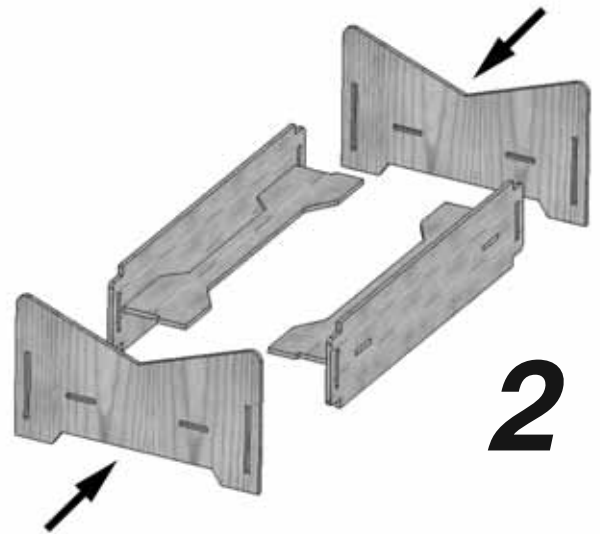
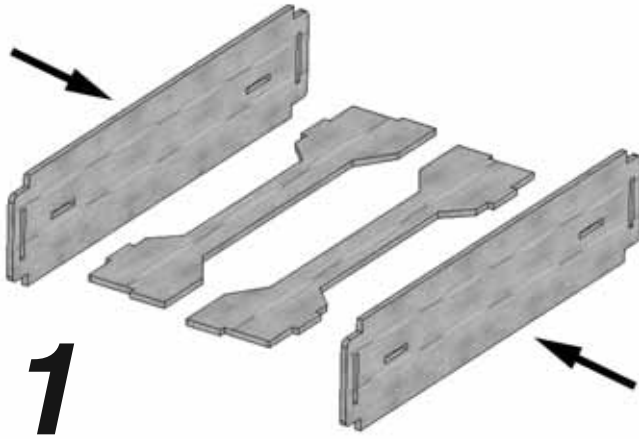


RIO 51

BOAT STAND

ASSEMBLY INSTRUCTIONS

Use CA or epoxy on all joints, if desired (however, it is not necessary).
Use epoxy or wood glue to attach the cradle cushions to the boat stand.



Glue cushions
to stand.

